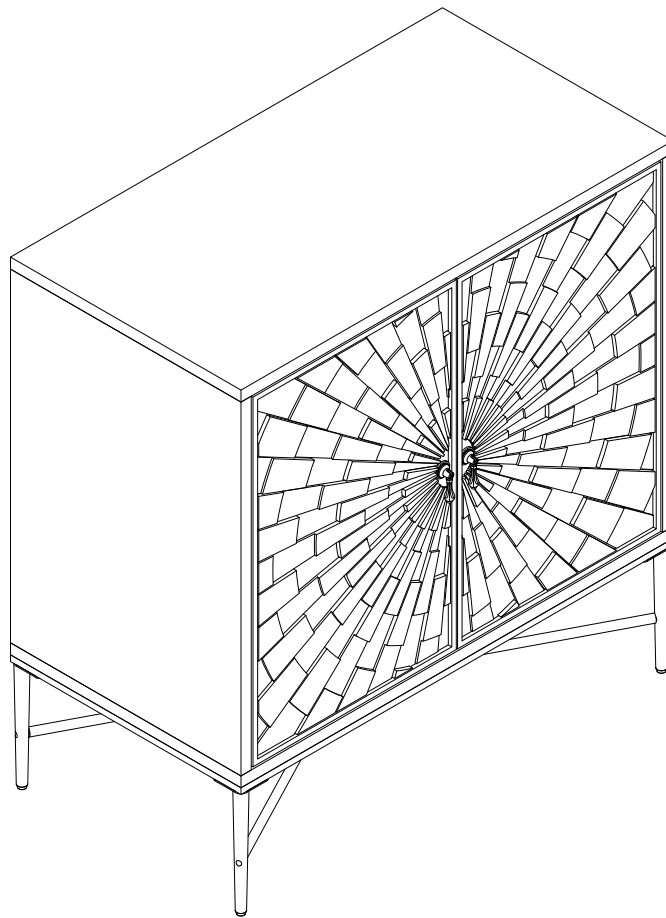


ASSEMBLY INSTRUCTIONS



It is normal for the sealed environment to smell, not a product quality problem.

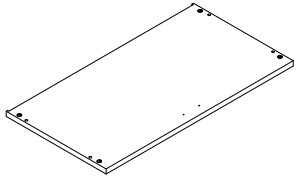
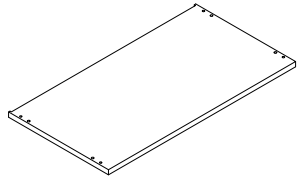
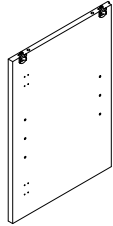
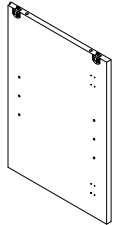
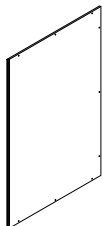
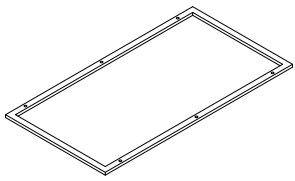
Phone number:303-747-4421

service@alipuinc.com

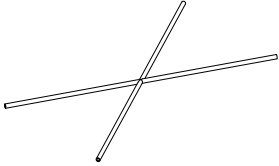

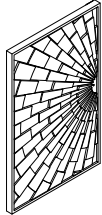

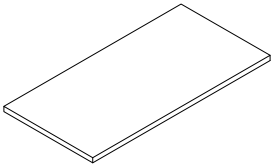

Web:<https://clihome.net/>

ASSEMBLY INSTRUCTIONS

Part List:


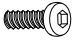






ITEM	DESCRIPTION	PART	QTY
1	Top panel		1
2	Bottom panel		1
3	Left side panel		1
4	Right side panel		1
5	Back panel		2
6	Bottom frame		1

Part List:


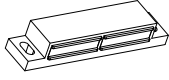






ITEM	DESCRIPTION	PART	QTY
7	"X" crossbar		1
8	Left front leg / Right back leg		2
9	Left door		1
10	Right door		1
11	Adjustable shelf		1
12	Right front leg / left back leg		2

ASSEMBLY INSTRUCTION

Hardware List:

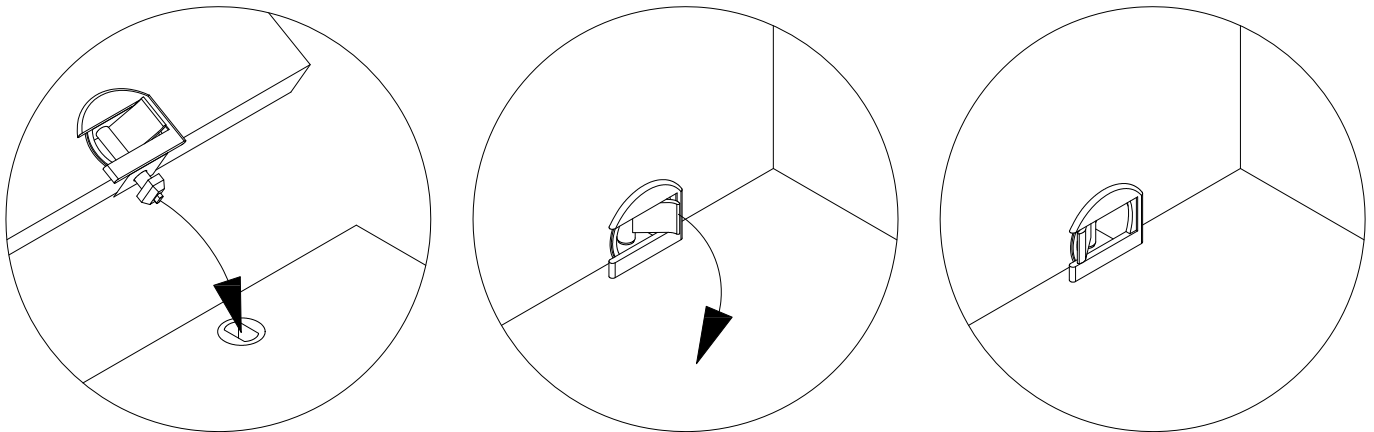
ITEM	DESCRIPTION	PART	QTY
A	Wooden dowel	 $\Phi 8 * 30 \text{mm}$	8
B	Bolt	 $\Phi 1/4" * 5/16"$	8
C	Bolt	 $\Phi 1/4" * 7/8"$	6
D	Bolt	 $\Phi 1/4" * 1 \ 1/2"$	8
E	Allen wrench		1
F	Door fitting		4
G	Round head screw	 $\Phi 3 * 14 \text{mm}$	24
H	Knob		2

Hardware List:

ITEM	DESCRIPTION	PART	QTY
I	Machine screw	 $\Phi 5/32" * 7/8"$	2
J	Magnet		1
K	Round head screw	 $\Phi 3 * 15 \text{mm}$	20
L	Shelf support		4
M	Safety wall strap		1
N	Plastic anchor		1
O	Mounting screw	 $\Phi 4 * 38 \text{mm}$	1
P	Washer		1


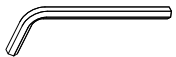
- * Required screwdriver & mallet, not included.
- * Before discarding packing materials, please check to make sure that all parts and hardware is present.
- * Two people needed for assembly.
- * Please follow the instructions closely; do not over tighten screws or bolts unless instructed.
- * After a few days from initial assembly, the product may have acclimated to the new environment. Please retighten the hardware.

Guideline For Assembling of Plastic Lock

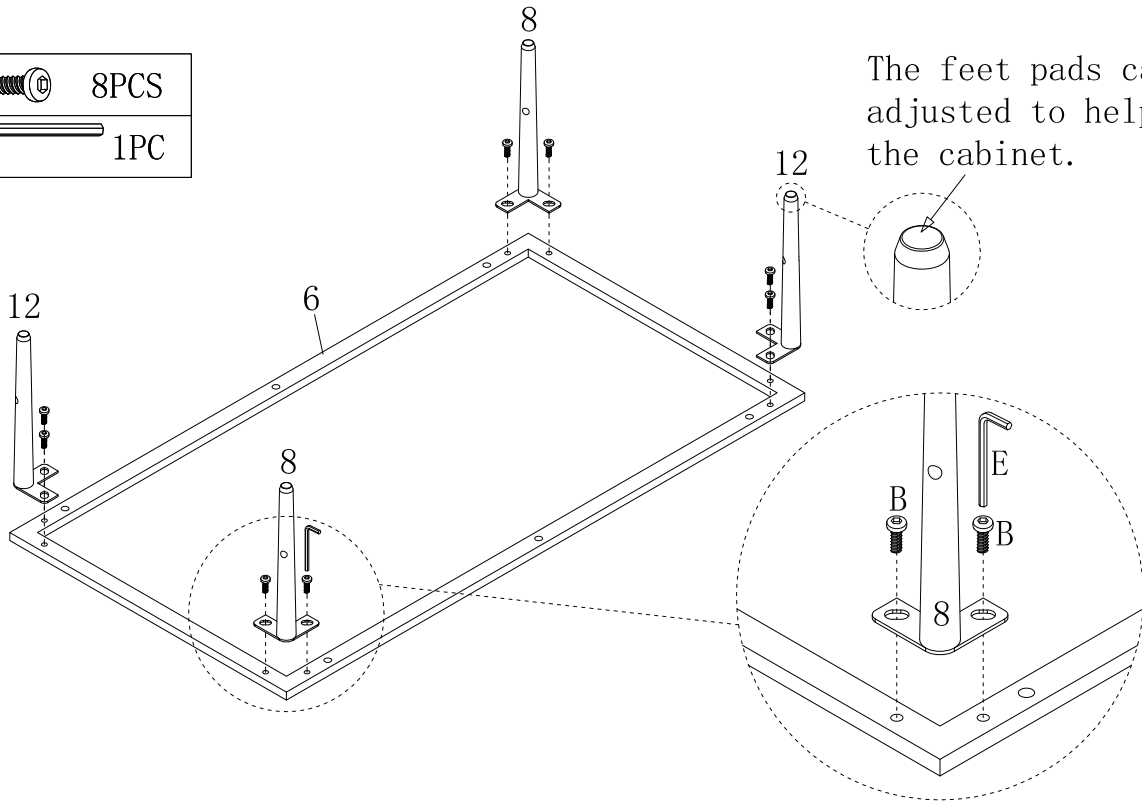


ASSEMBLY INSTRUCTION

STEP 1

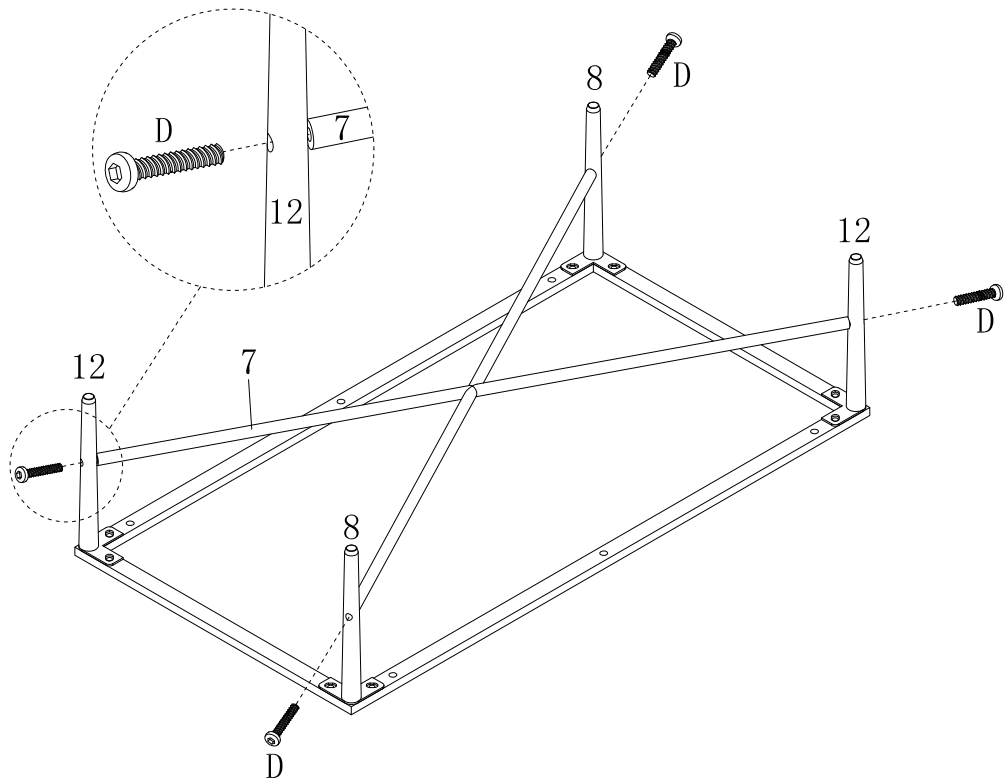
- B:  8PCS
E:  1PC

The feet pads can be adjusted to help level the cabinet.



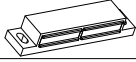

STEP 2

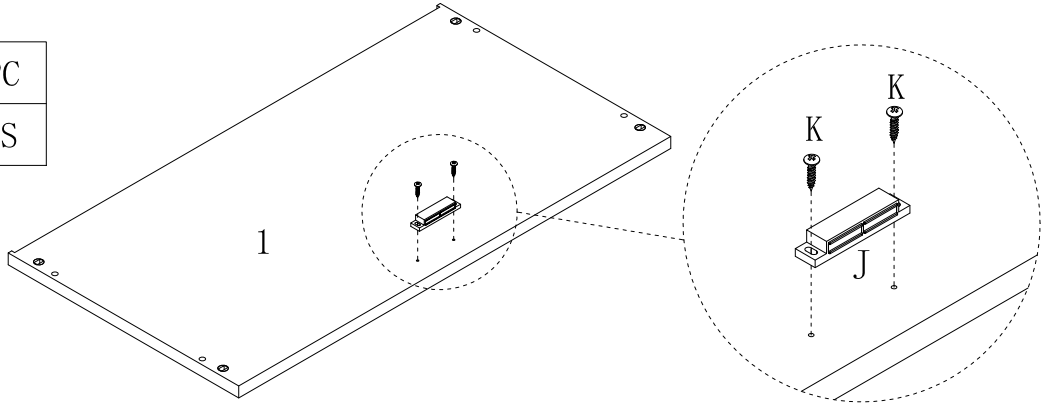
- D:  4PCS





ASSEMBLY INSTRUCTION

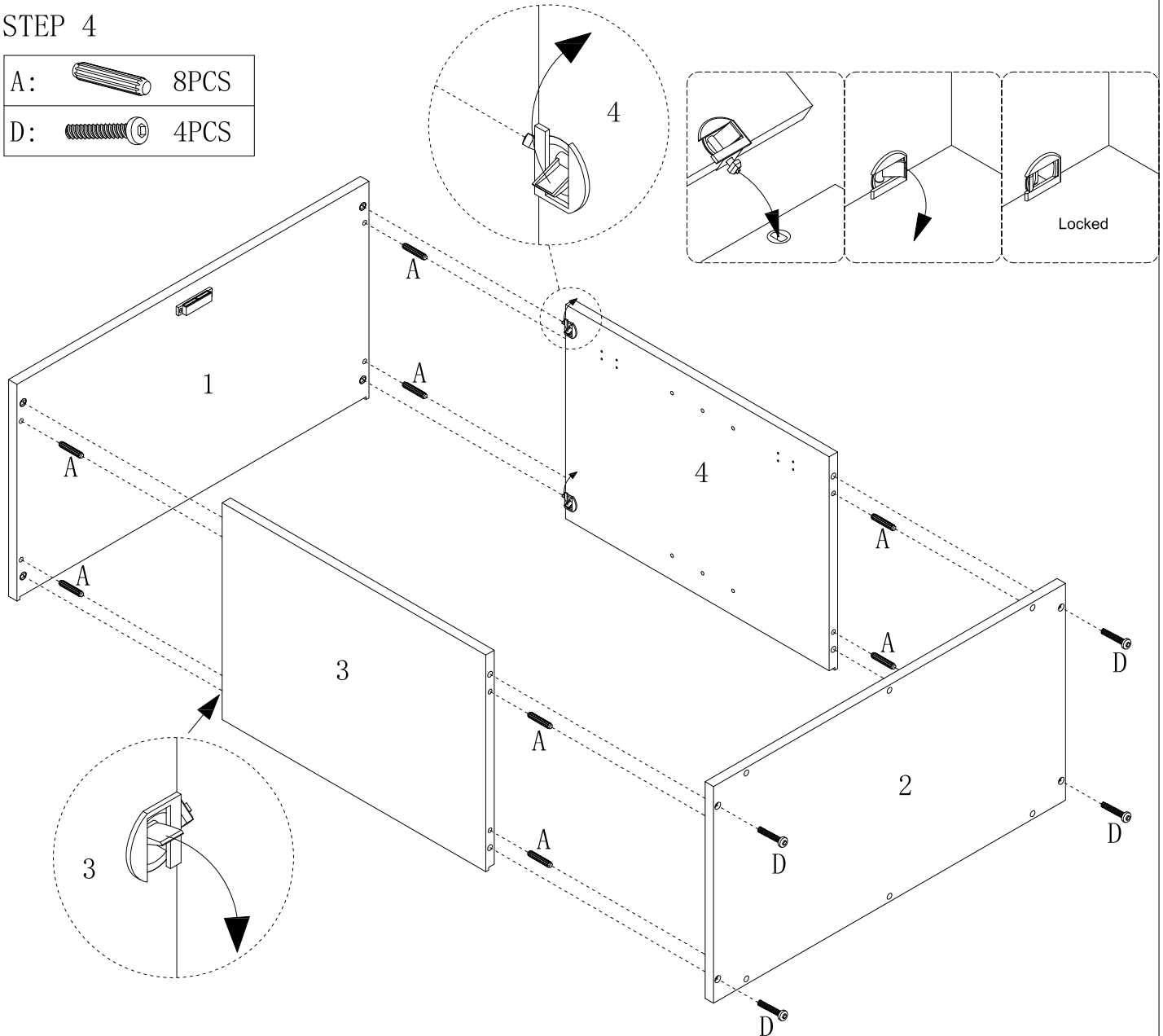
STEP 3

- | | | |
|----|---|------|
| J: |  | 1PC |
| K: |  | 2PCS |



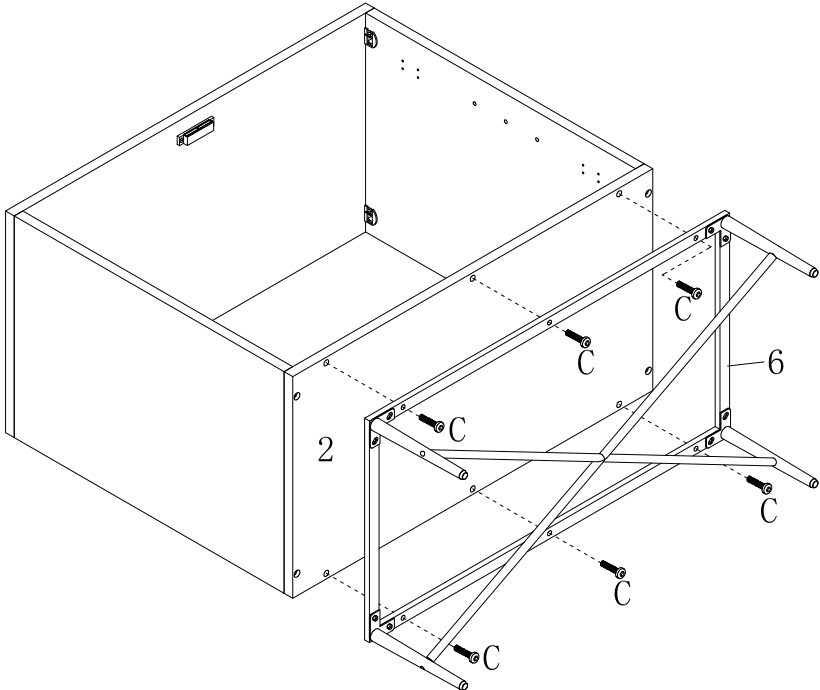
STEP 4

- | | | |
|----|---|------|
| A: |  | 8PCS |
| D: |  | 4PCS |




STEP 5

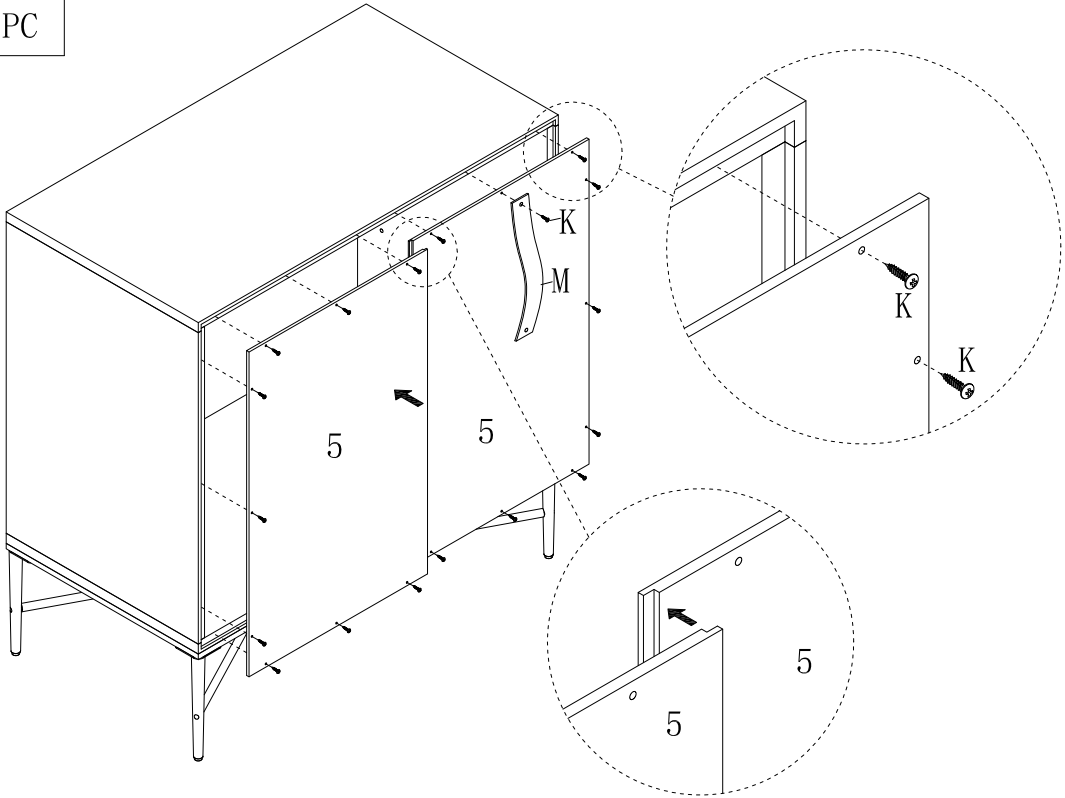
C:  6PCS



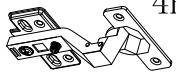
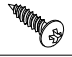


STEP 6

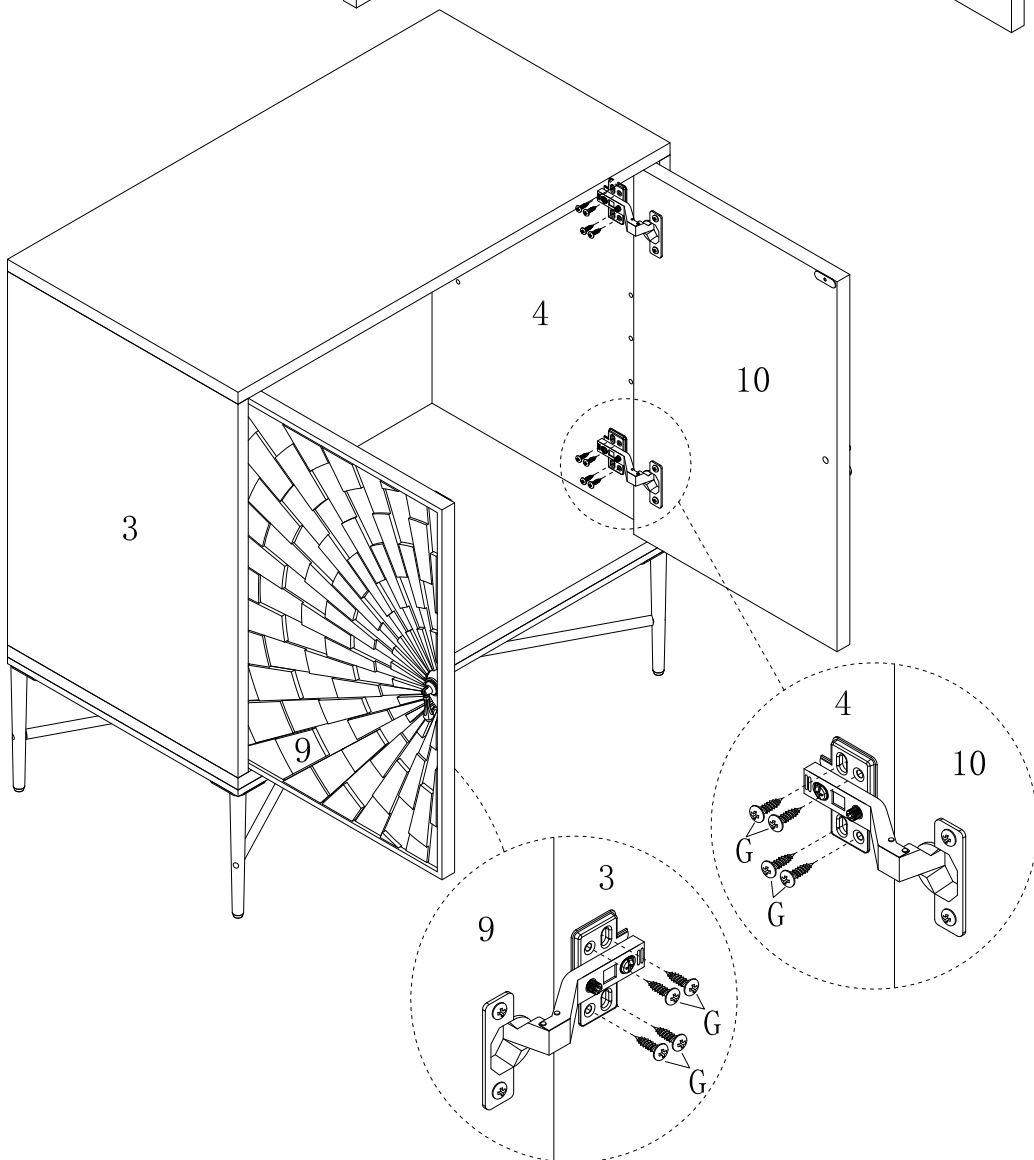
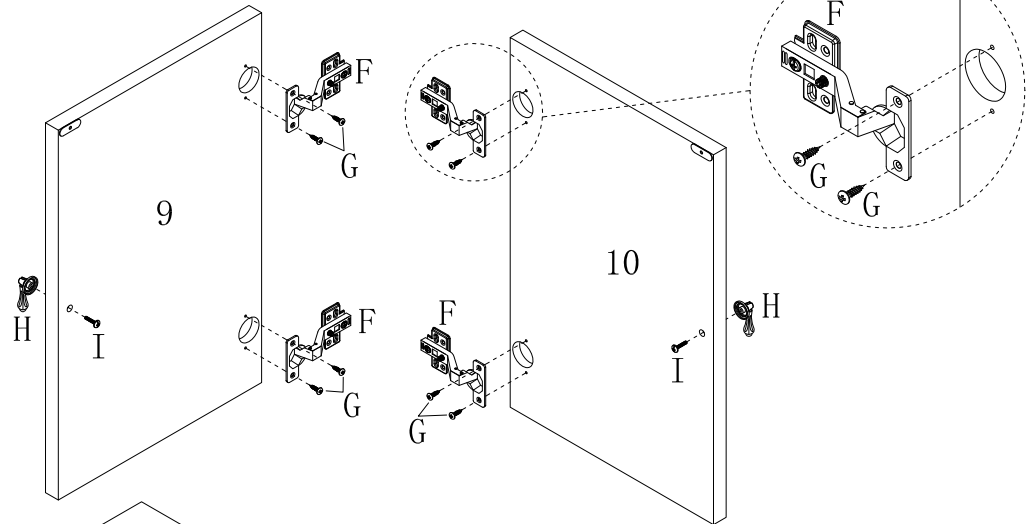
K:  18PCS

M:  1PC

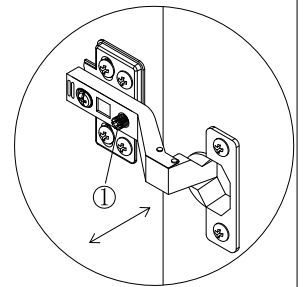


STEP 7

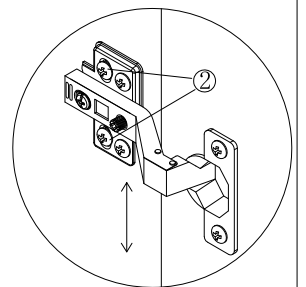
F:		4PCS
G:		24PCS
H:		2PCS
I:		2PCS



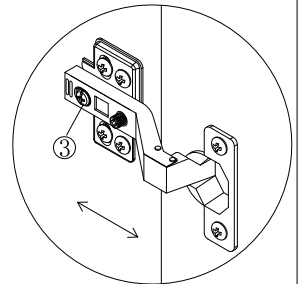
DOOR FITTING



To adjust in width



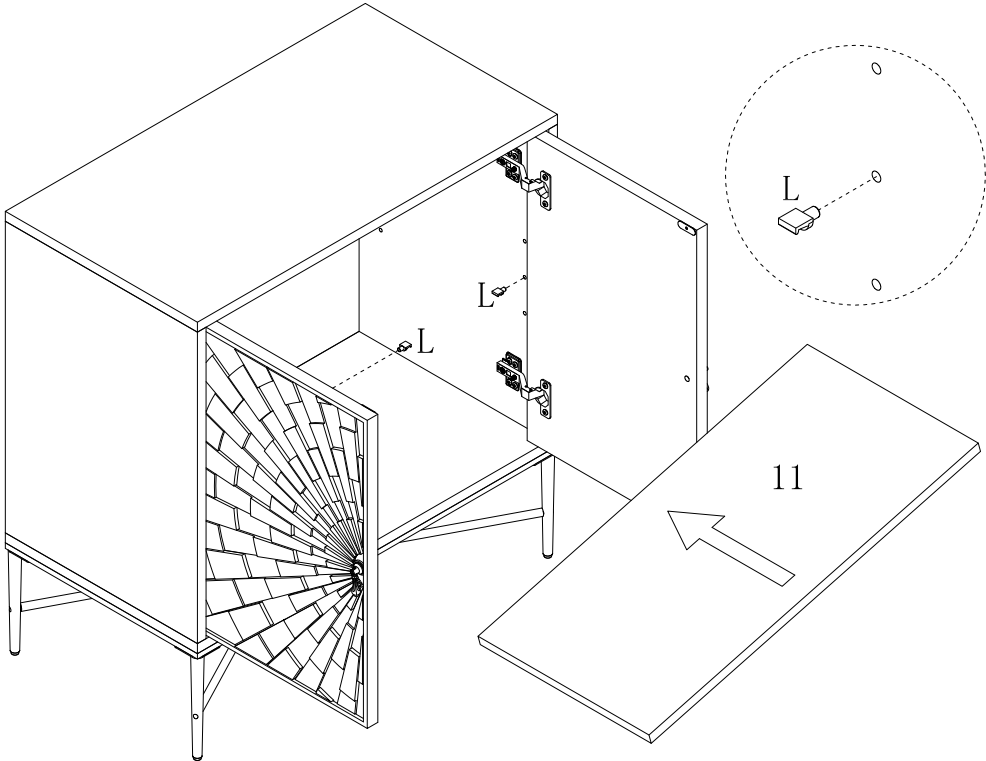
To adjust in height






To adjust in depth

STEP 8

L:  4PCS



STEP 9

N:  1PC
O:  1PC
P:  1PC

