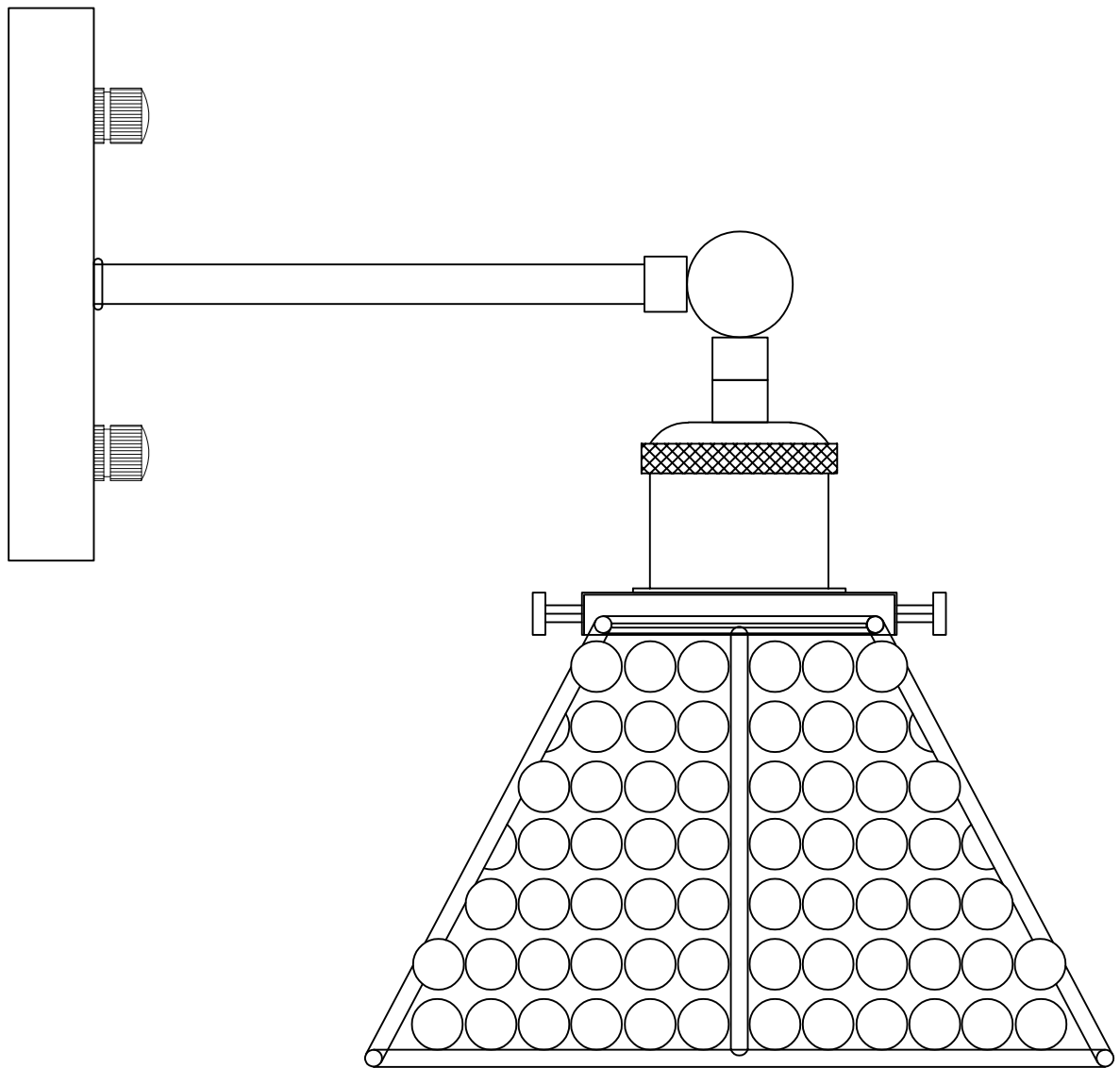
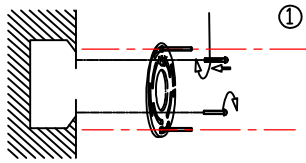


W2208110V

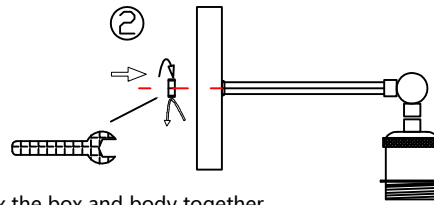


English / Español / Français

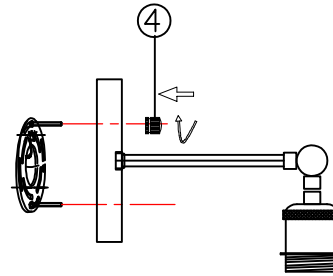
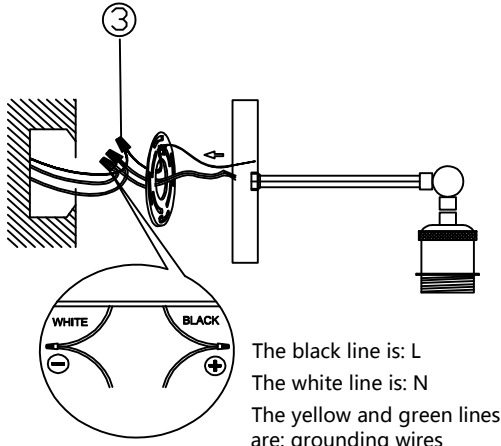




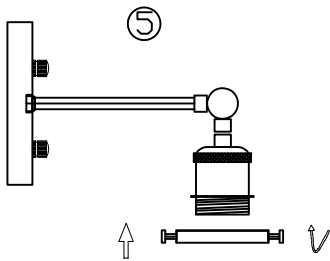
Install the bracket on top of the box



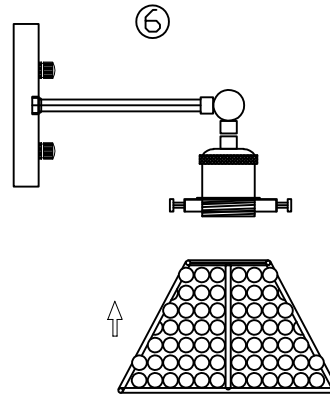
Fix the box and body together



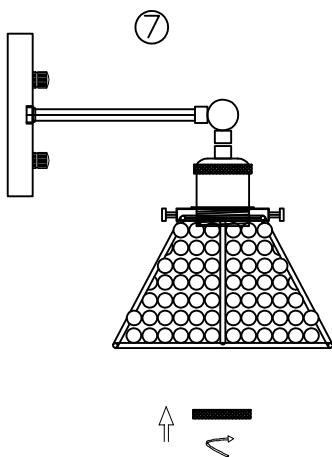
Fix the bracket screws and align them with the two holes in the box, and install the striped nuts



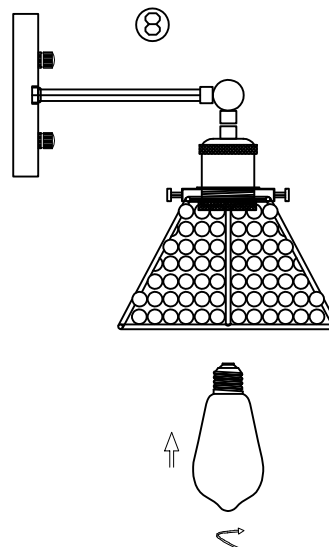
Install decorative flat cover



Install the lampshade



Install the lamp cap ring



Installing bulb

TECHNICAL INFORMATION

SKU	Nominal voltage	light
W2208110V	AC:110-120V	1*E26 MAX.40W (Not included)

