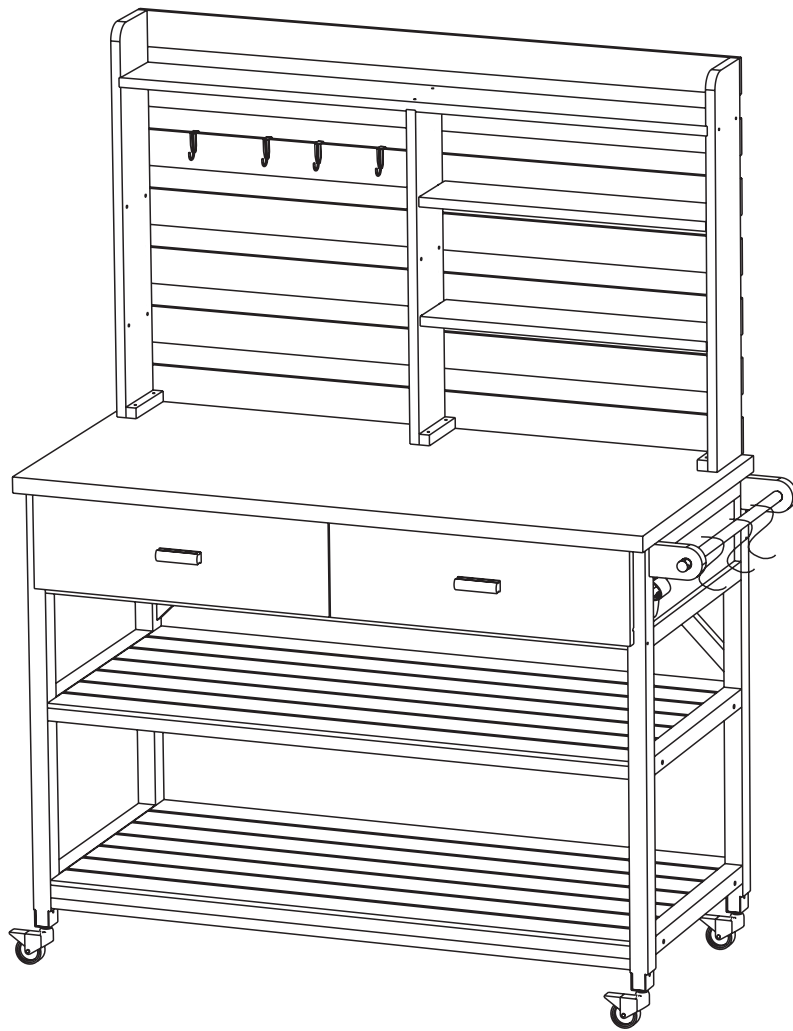


# ASSEMBLY INSTRUCTION

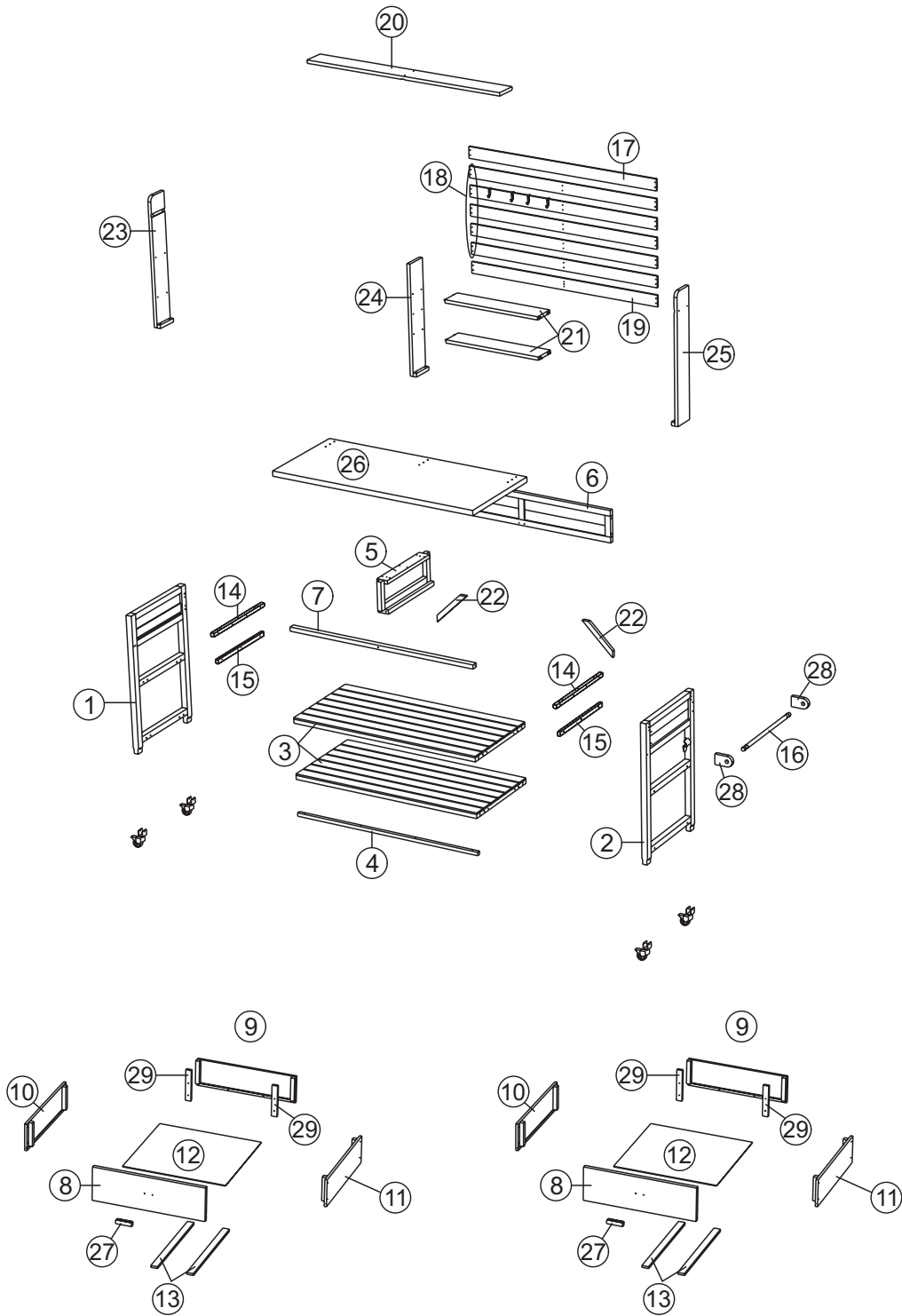
ITEM NO.:N707P228274



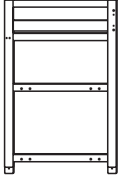
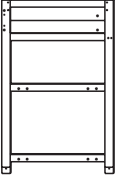


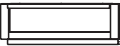
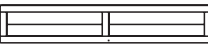











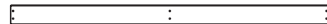
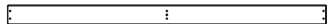
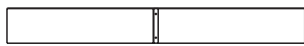
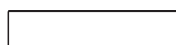


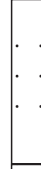
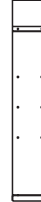
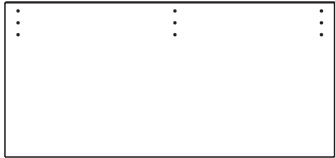



## IMPORTANT NOTE:

- ① PLACE ALL PARTS ON A CLEAN AND SMOOTH SURFACE SUCH AS A RUG OR CARPET TO AVOID THE PARTS FROM BEING SCRATCHED.
- ② BEFORE YOU BEGIN,KINDLY FOLLOW THE ASSEMBLY INSTRUCTIONS STEP BY STEP.
- ③ DO NOT TIGHTEN ALL SCREWS AND BOLTS UNTIL THIS ITEM IS FULLY SET-UP.






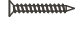
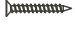



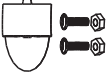


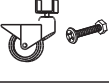
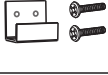
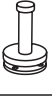
# Detail View



# N707P228274

<p>1</p> 	<p>2</p> 	<p>3</p> 	<p>4</p> 
<p>1pc</p>	<p>1pc</p>	<p>2pcs</p>	<p>1pc</p>
<p>5</p> 	<p>6</p> 	<p>7</p> 	<p>8</p> 
<p>1pc</p>	<p>1pc</p>	<p>1pc</p>	<p>2pcs</p>
<p>9</p> 	<p>10</p> 	<p>11</p> 	<p>12</p> 
<p>2pcs</p>	<p>2pcs</p>	<p>2pcs</p>	<p>2pcs</p>
<p>13</p> 	<p>14</p> 	<p>15</p> 	<p>16</p> 
<p>4pcs</p>	<p>2pcs</p>	<p>2pcs</p>	<p>1pc</p>
<p>17</p> 	<p>18</p> 	<p>19</p> 	<p>20</p> 
<p>1pc</p>	<p>5pcs</p>	<p>1pc</p>	<p>1pc</p>
<p>21</p> 	<p>22</p> 	<p>23</p> 	<p>24</p> 
<p>2pcs</p>	<p>2pcs</p>	<p>1pc</p>	<p>1pc</p>
<p>25</p> 	<p>26</p> 	<p>27</p> 	<p>28</p> 
<p>1pc</p>	<p>1pc</p>	<p>2pcs</p>	<p>2pcs</p>
<p>29</p> 			
<p>4pcs</p>			

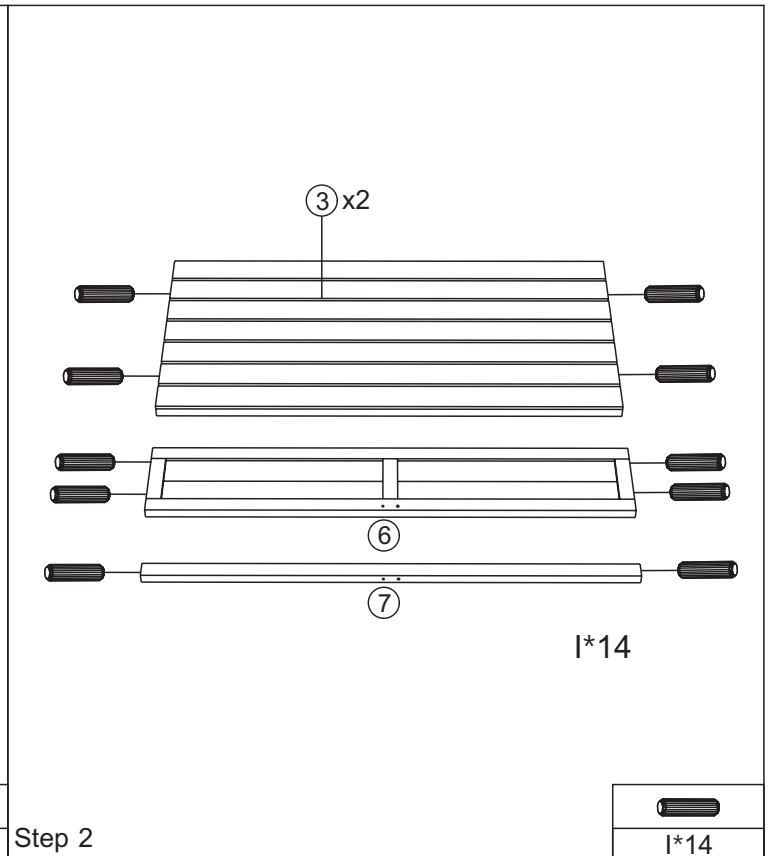
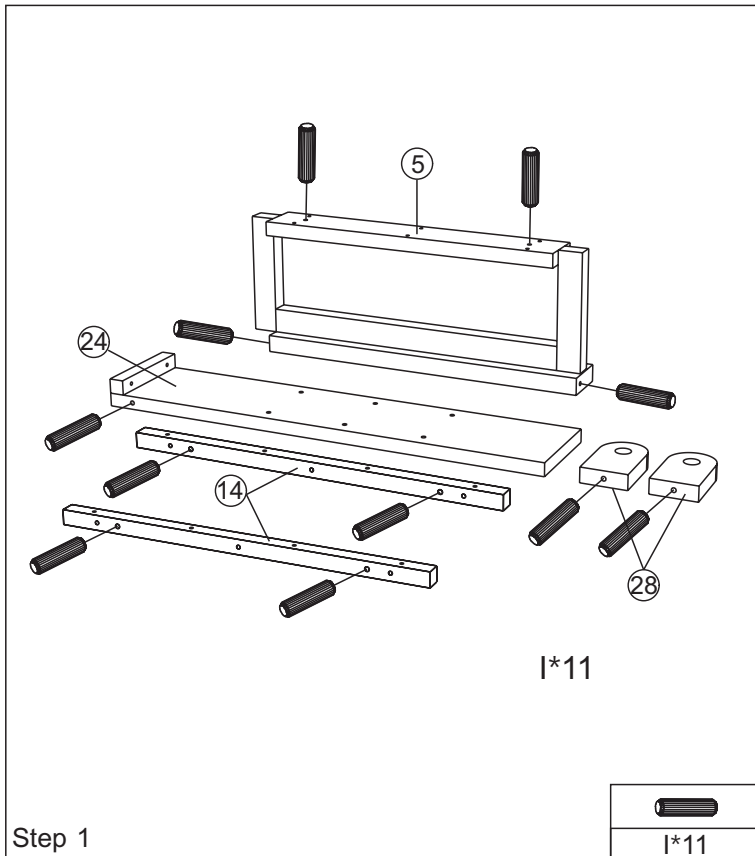
Hardware List

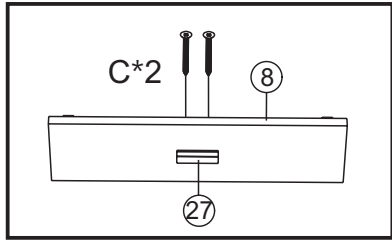
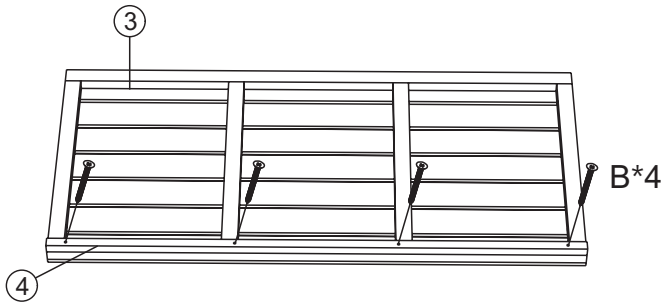
<p>A</p>  <p>Ø 3.5*60 6pcs</p>	<p>B</p>  <p>Ø 3.5*40 46pcs</p>	<p>C</p>  <p>Ø 3.5*35 4pcs</p>	<p>D</p>  <p>Ø 3.0*30 26pcs</p>	
<p>E</p>  <p>Ø 3.0*25 40pcs</p>	<p>F</p>  <p>Ø 3.0*22 8pcs</p>	<p>G</p>  <p>Ø 3.0*16 6pcs</p>	<p>H</p>  <p>Ø 6.0*80 8pcs</p>	
<p>I</p>  <p>25pcs</p>	<p>J</p>  <p>8pcs</p>	<p>K</p>  <p>1pc</p>	<p>L</p>  <p>4pcs</p>	<p>M</p>  <p>3pcs</p>
<p>N</p>  <p>4pcs</p>	<p>O</p>  <p>1pc</p>	<p>P</p>  <p>2pcs</p>		

ASSEMBLY TOOLS REQUIRED( NOT INCLUDED)



PLEASE BE CAREFUL DO NOT DAMAGE THE HOLE POSITION WHEN YOU USE POWERTOOLS !

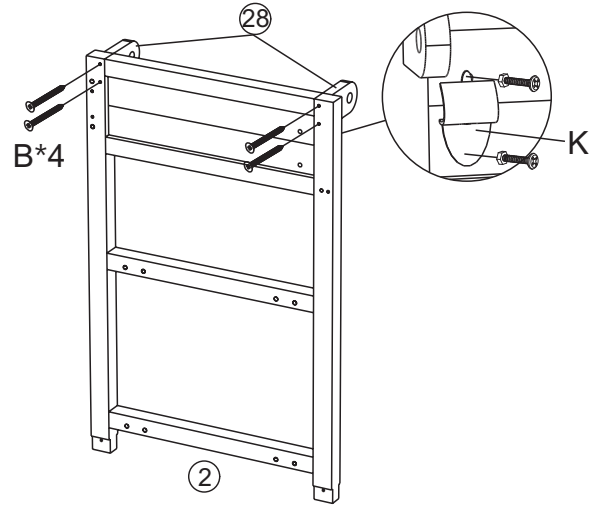




X2

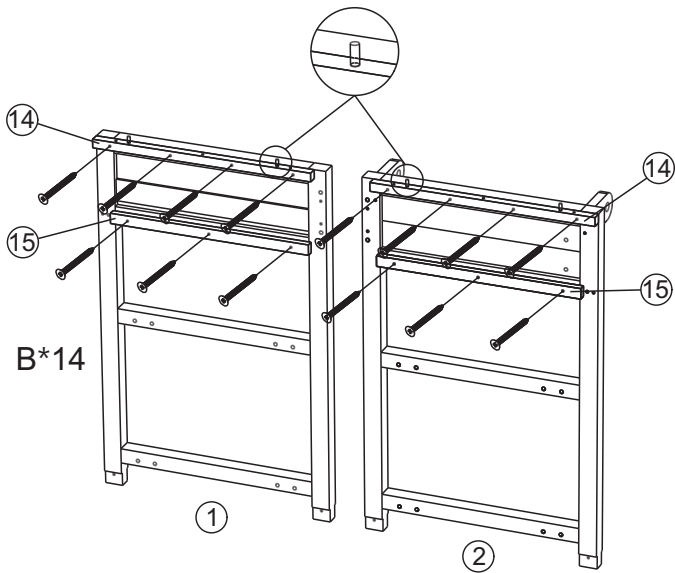
Step 3

B*4	C*4



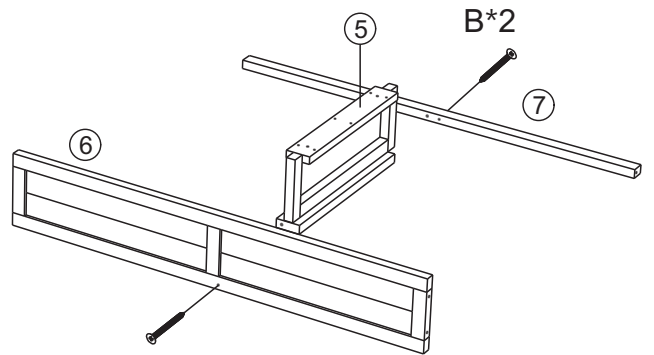
Step 4

B*4	K*1



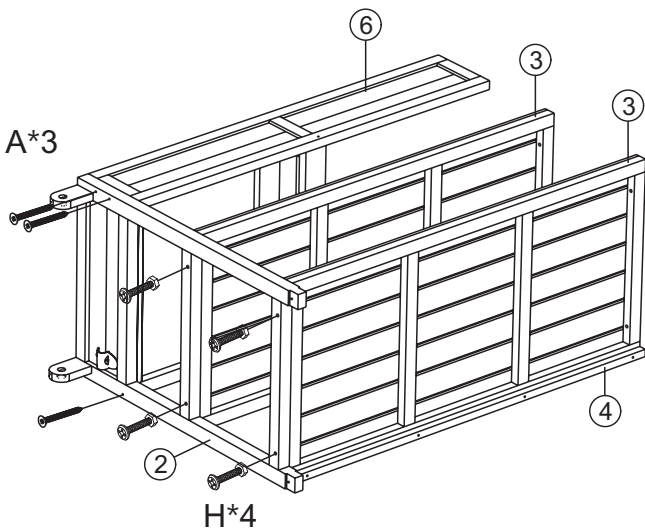
Step 5

B*14



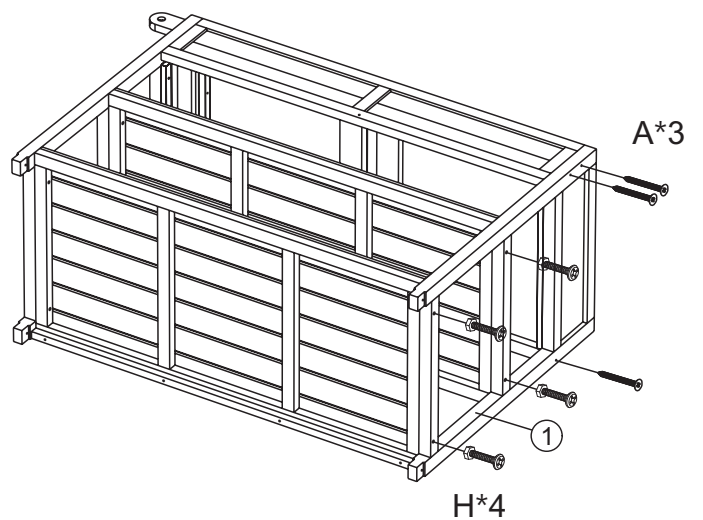
Step 6

B*2



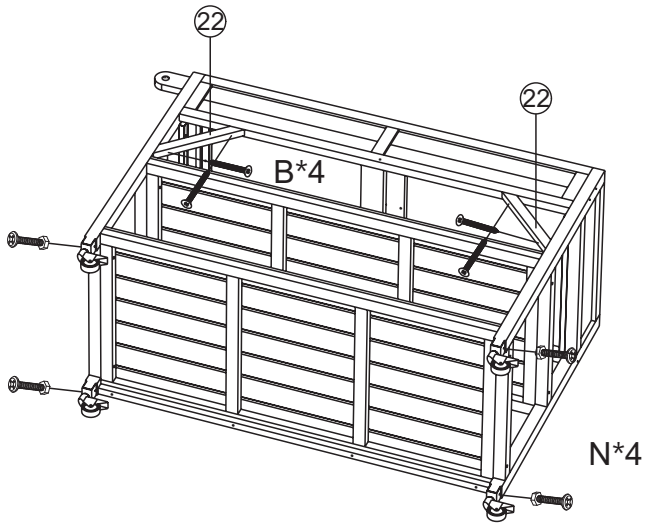
Step 7

A*3	H*4





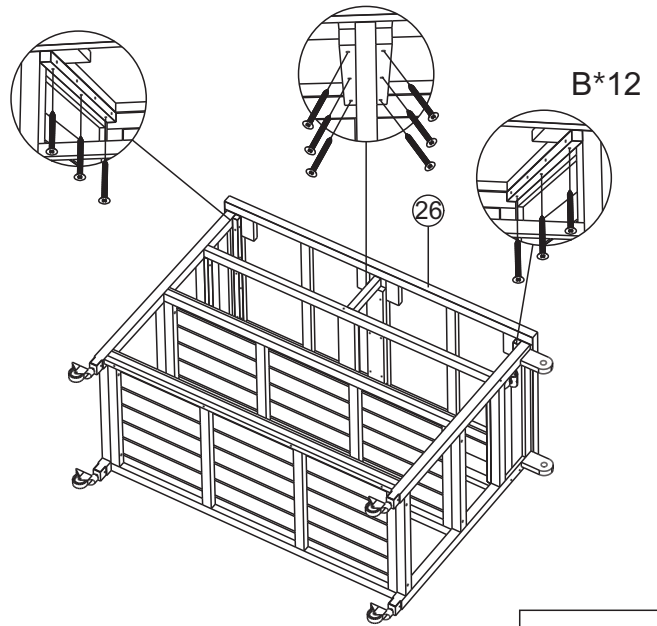
Step 8

A*3	H*4




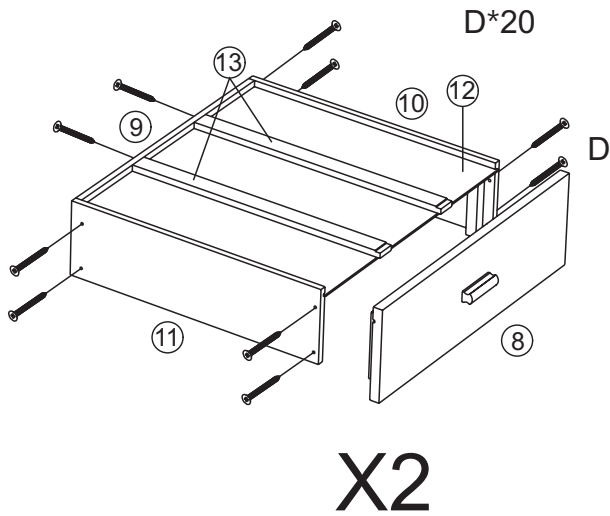
Step 9

	
B*4	N*4




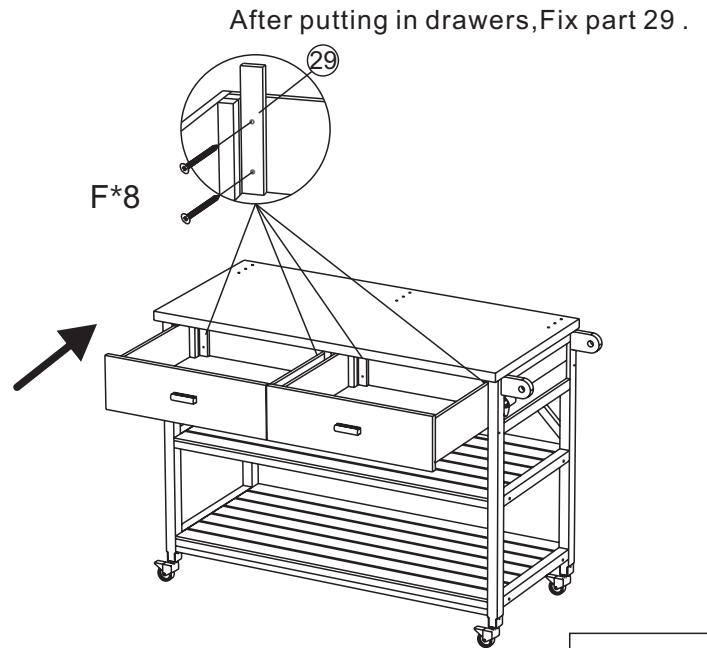
Step 10


B*12




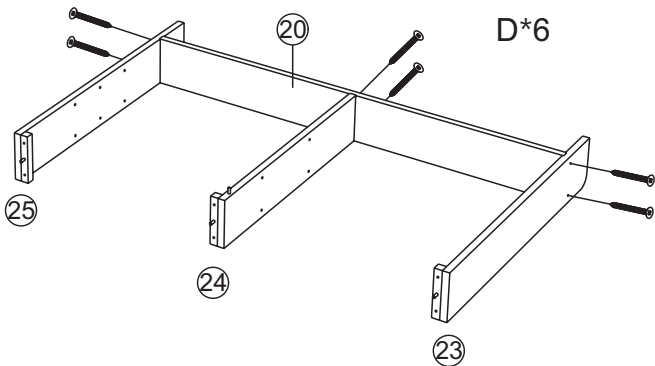
Step 11


D*20




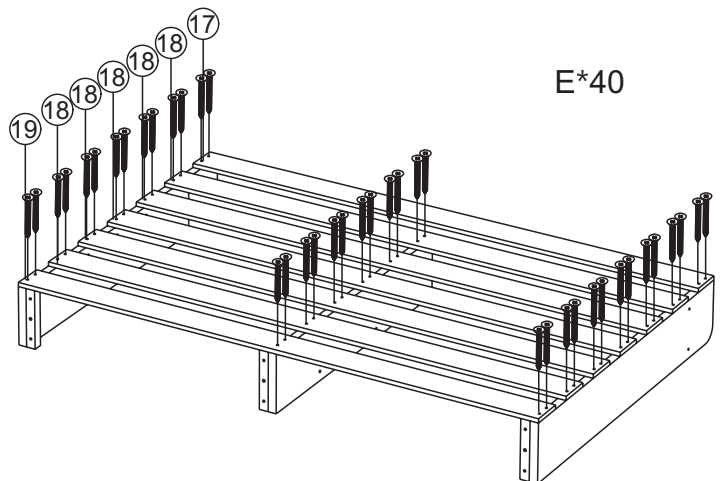
Step 12


F*8




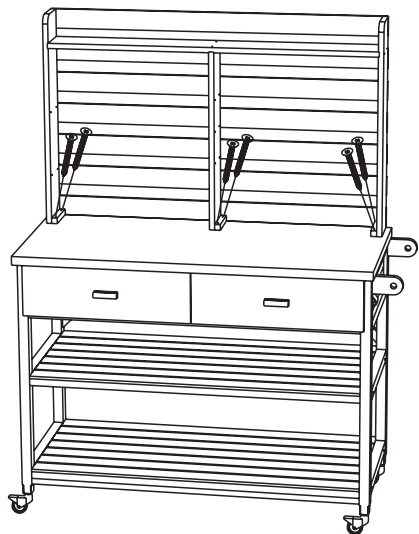
Step 13


D*6



Step 14


E*40

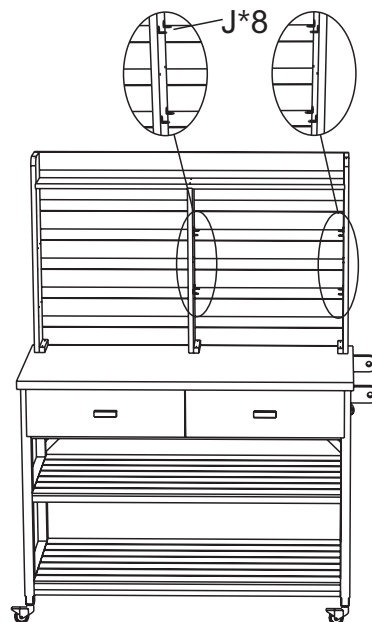


B\*6

Step 15



B\*6

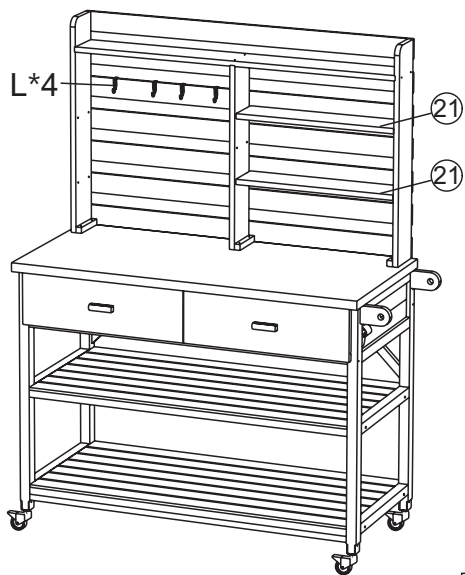


J\*8

Step 16



J\*8



L\*4

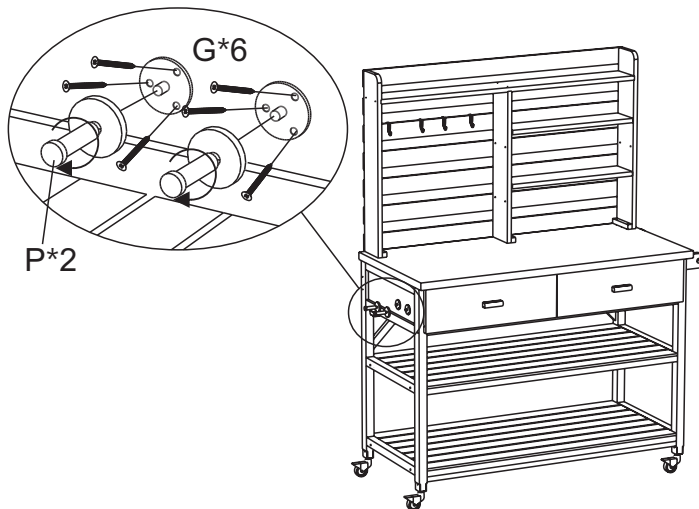
21

21

Step 17



L\*4



G\*6

P\*2

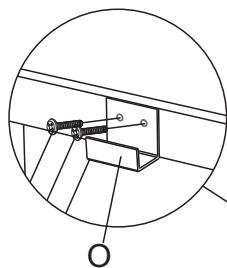
Step 18



G\*6



P\*2



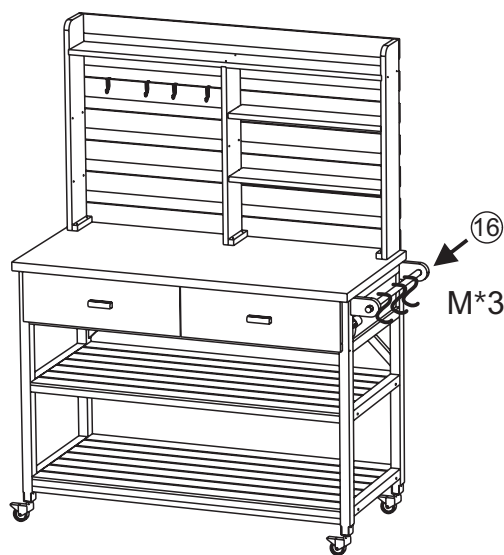
O



Step 19



O\*1



16

M\*3

Step 20



M\*3