



Stinson® Comfort Height®

The Complete Solution® elongated toilet
404716

Features

- Two-piece design.
- Elongated bowl offers added room and comfort.
- Comfort Height® feature offers chair-height seating that makes sitting down and standing up easier for most adults.
- 1.28 gpf (4.8 lpf).
- Left-hand Polished Chrome trip lever.
- 2" (51 mm) fully glazed trapway.
- The Complete Solution toilets provide everything you need, including bowl, tank, seat, wax ring, and hardware.
- Floor Saver® footprint helps cover the old footprint left by many standard two-piece toilets.

Technology

- Pro Force® Plus flushing technology delivers greater flushing power than previous Pro Force® models.

Installation

- Standard 12" (305 mm) rough-in.
- Three-bolt quick-connect installation.
- Supply line sold separately.

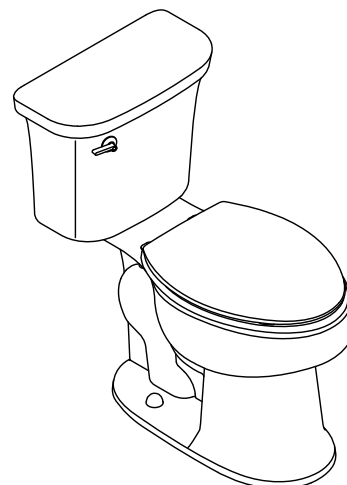
Recommended Products/Accessories

- K-75796 Cachet® Nightlight Quiet-Close™ Elongated toilet seat
- K-5588 Purefresh® Elongated Toilet Seat
- K-5420 Low-Profile Bolt Caps
- K-23726 Drain treatment

Included Components

Additional Components:

Tank cover, trip lever, toilet seat, tank hardware accessory pack, bolt caps, and wax ring



ADA CSA B651 OBC

Codes/Standards

ASME A112.19.2/CSA B45.1
DOE - Energy Policy Act 1992
EPA WaterSense®
California Energy Commission (CEC)
ADA
ICC/ANSI A117.1
CSA B651
OBC

STERLING® Toilets and Toilet Seats Limited Warranty

See website for detailed warranty information.

Available Colors/Finishes

Color tiles intended for reference only.

Color Code Description

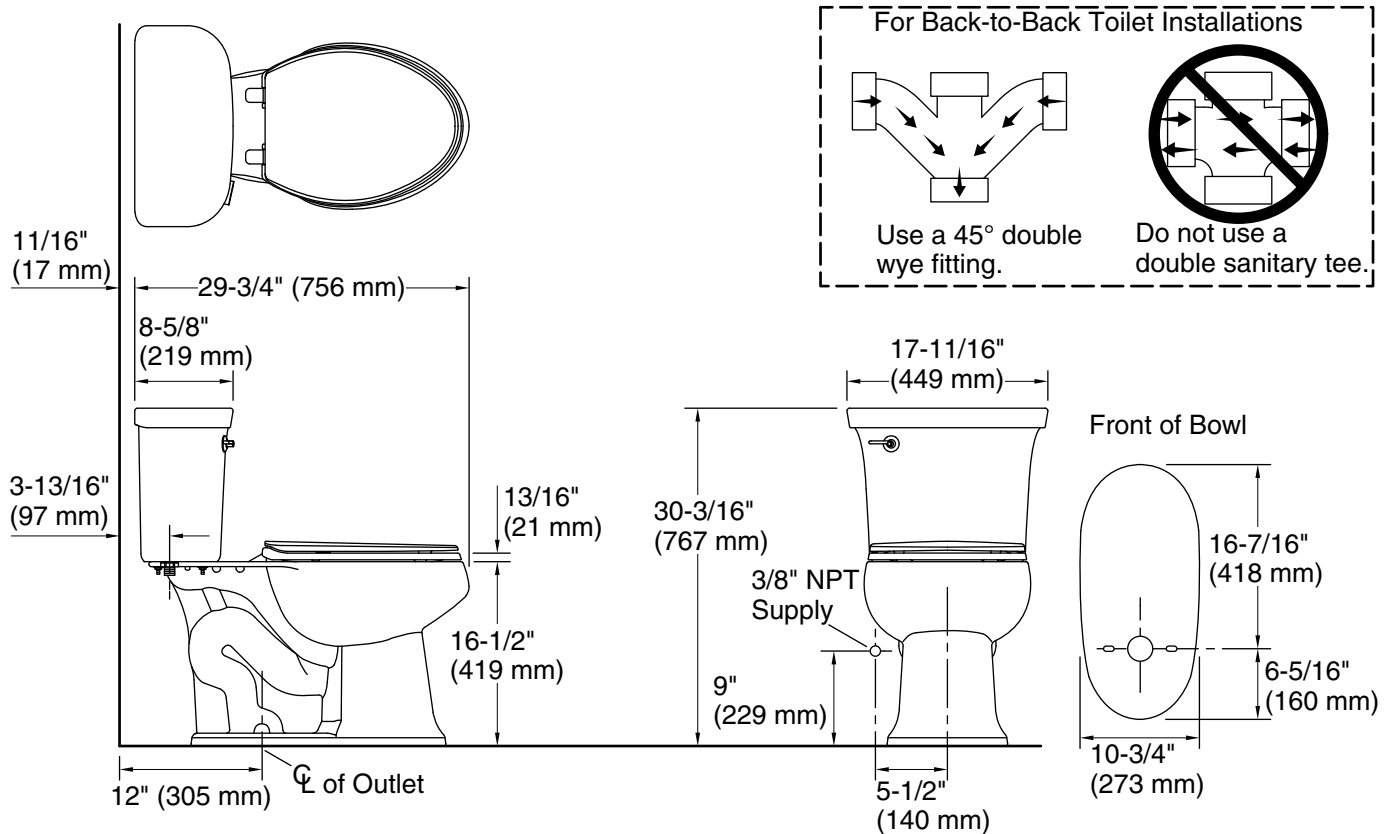
■ 0 White

1-800-STERLING (1-800-783-7546)

Kohler Co. reserves the right to make revisions without notice to product specifications.

For the most current Specification Sheet, go to www.sterlingplumbing.com.

5-29-2021 19:10 - US/CA



Technical Information

All product dimensions are nominal.

Toilet type:	Two-piece, Floor-mount
Waste Outlet:	Floor
Bowl shape:	Elongated
Flush type:	Gravity siphon jet
Trap passageway:	2-1/16" (53 mm)
Water Consumption	
Full:	1.28 gpf (4.8 lpf)
Rough-in:	12" (305 mm)

Notes

Install this product according to the installation instructions.

For back-to-back toilet installations: Use only a 45° double wye fitting.

ADA, OBC, CSA B651 compliant when installed to the specific requirements of these regulations.

Plumbing codes may require elongated toilets and elongated, open-front seats in public bathrooms.

Accessibility standards may require controls to be located on the open side of the toilet.