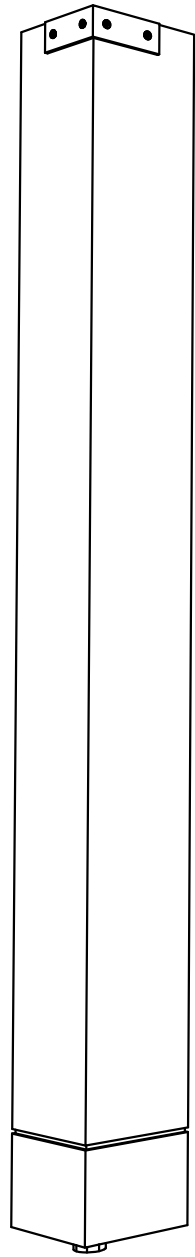


ASSEMBLY INSTRUCTION

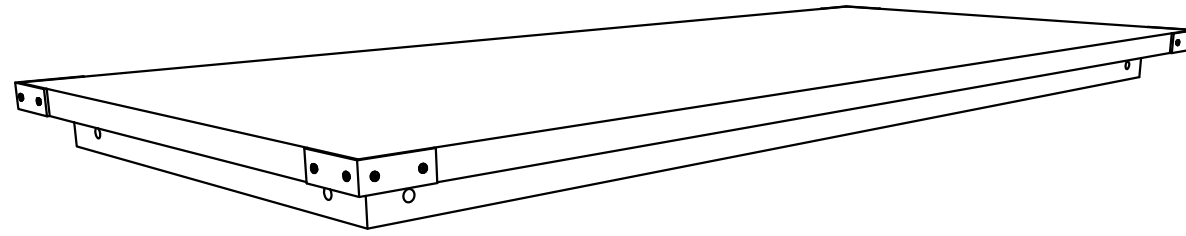
WF299211



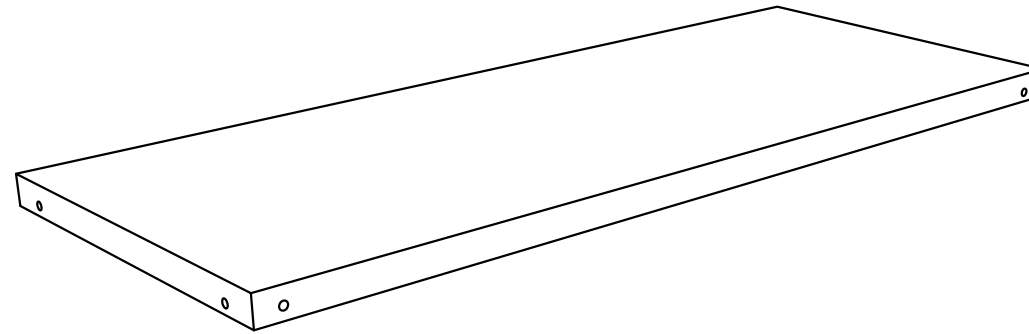
PART LIST



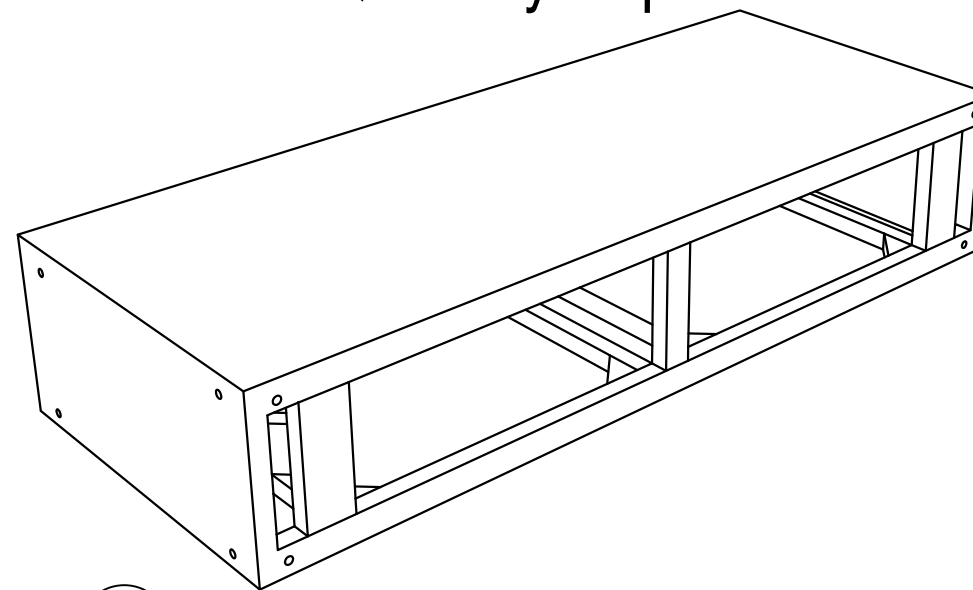
A Standing pillar
Component
Quantity: 4 pcs



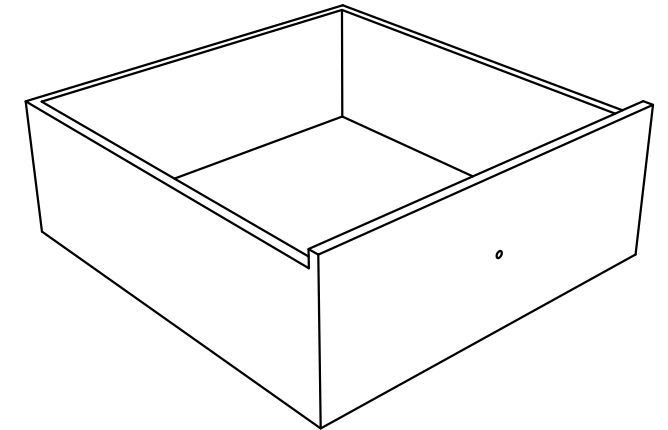
D Top Component
Quantity: 1 pc



C Middle Component
Quantity: 1 pc



B Bottom Component
Quantity: 1 pc



E Drawer Component
Quantity: 2 pcs

HARDWARE LIST



① 6x30 mm
Quantity: 32 pcs



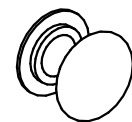
② 6x16 mm
Quantity: 32 pcs






③
Quantity: 1 pc



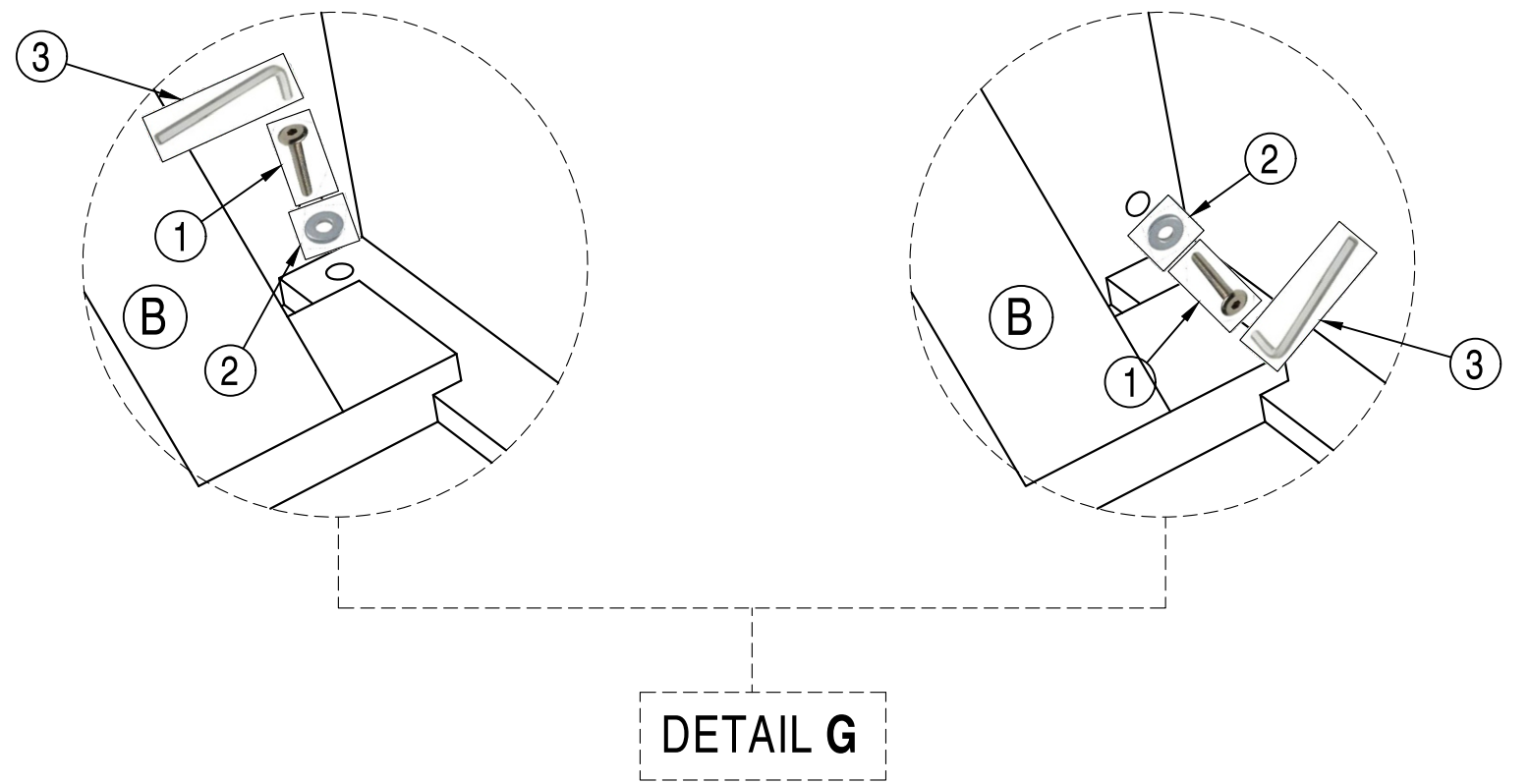
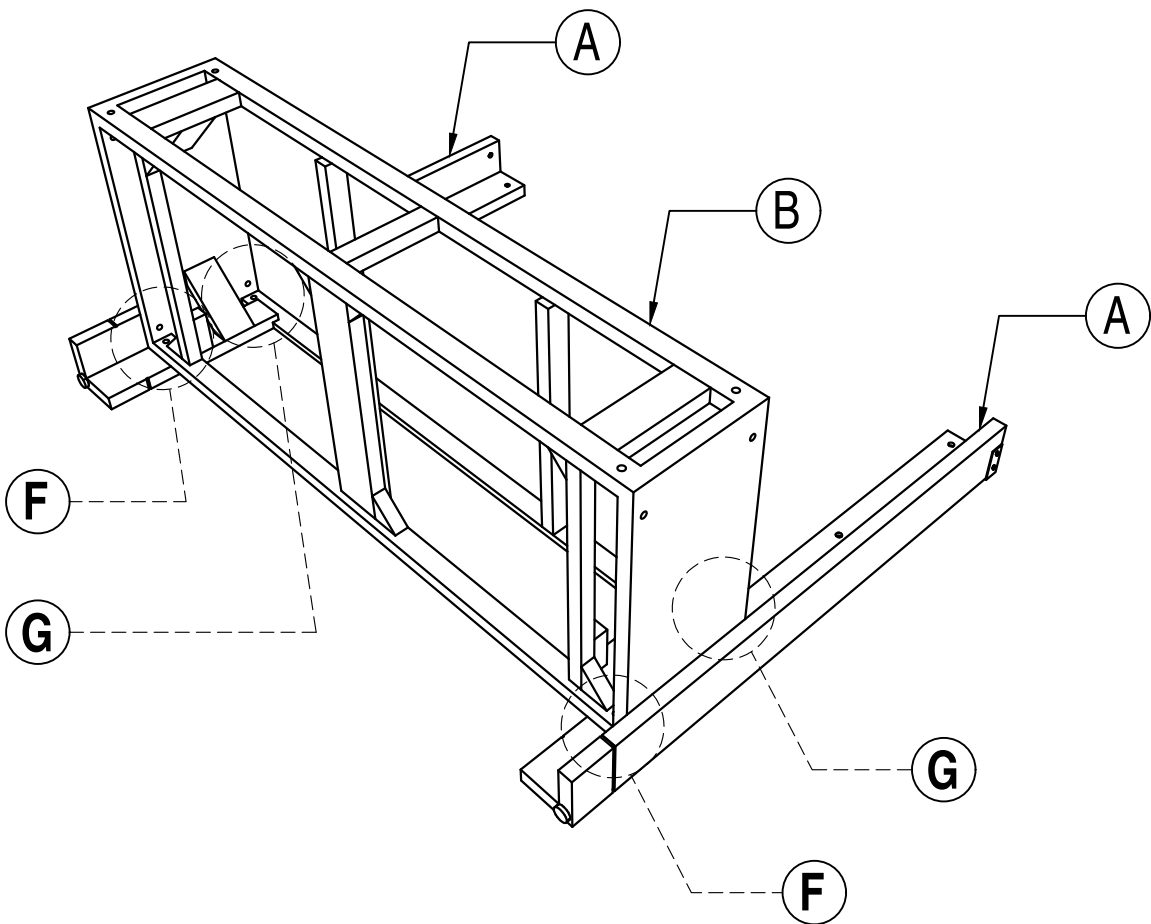
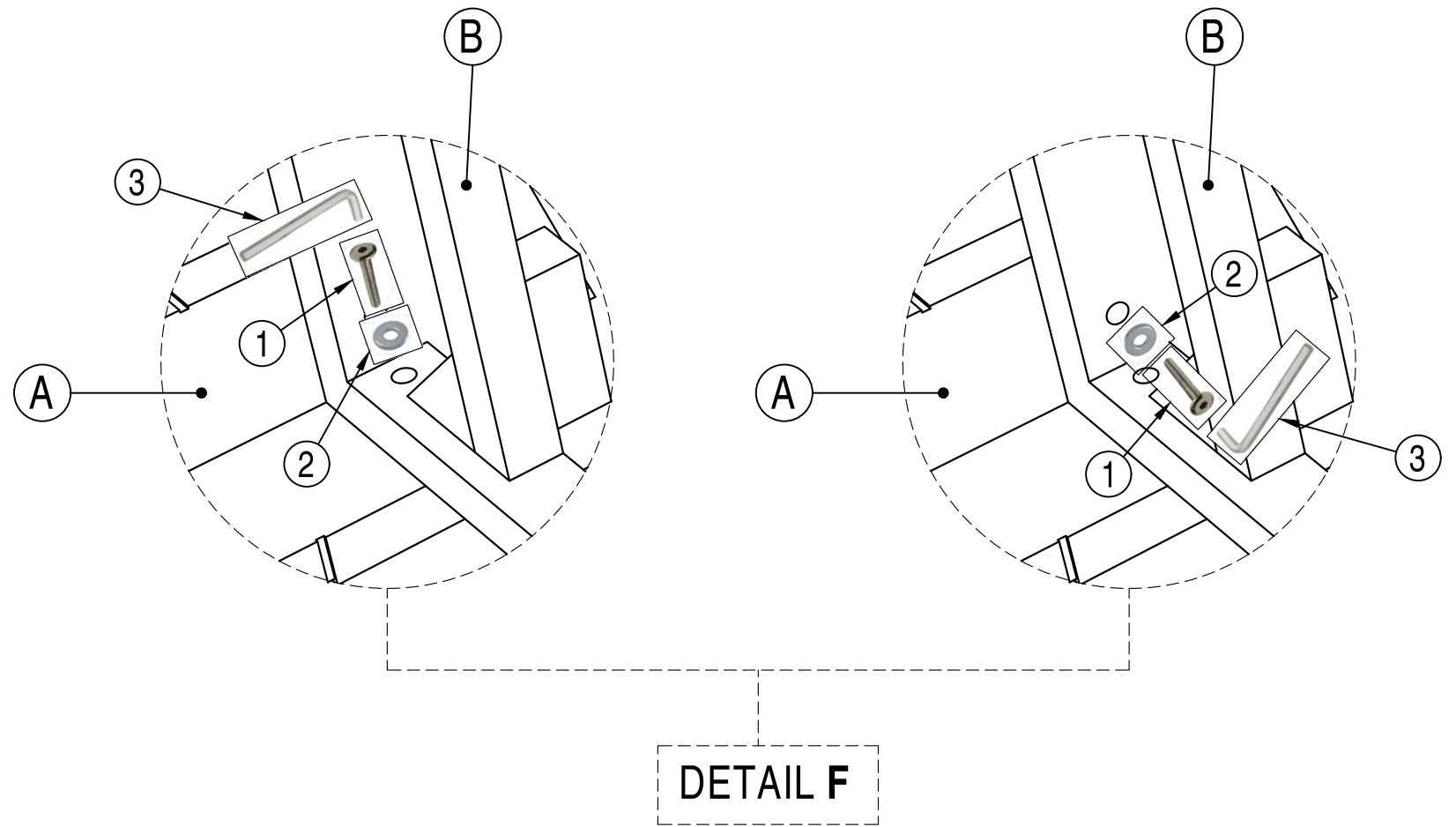
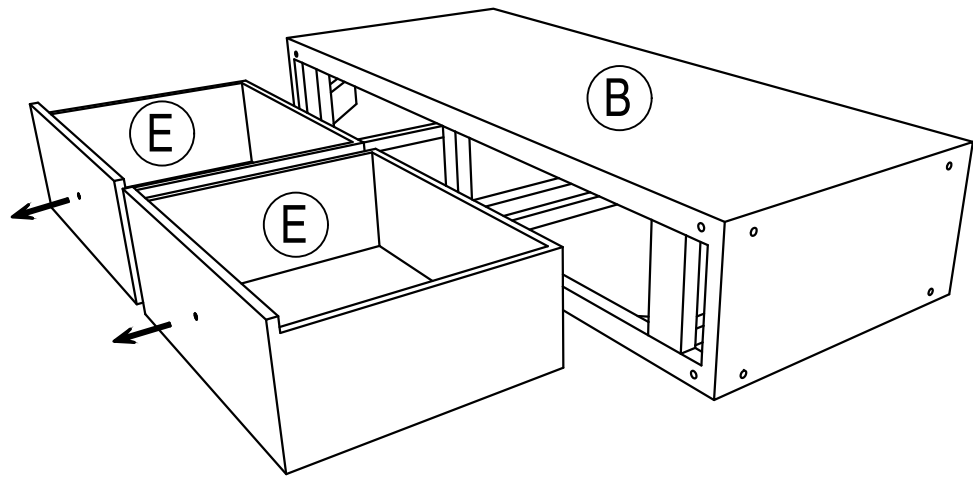
④ 4x30 mm
Quantity: 2 pcs



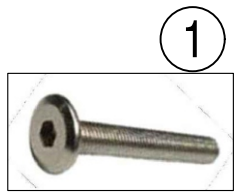
⑤ Quantity: 2 pcs

| | | |
|--|---|---|
| ① | ② | ③ |
|  |  |  |
| Quantity: 8 pcs | Quantity: 8 pcs | Quantity: 1 pc |

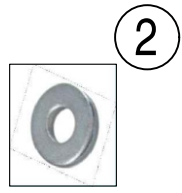
STEP 1



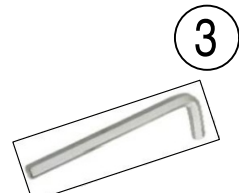
STEP 2



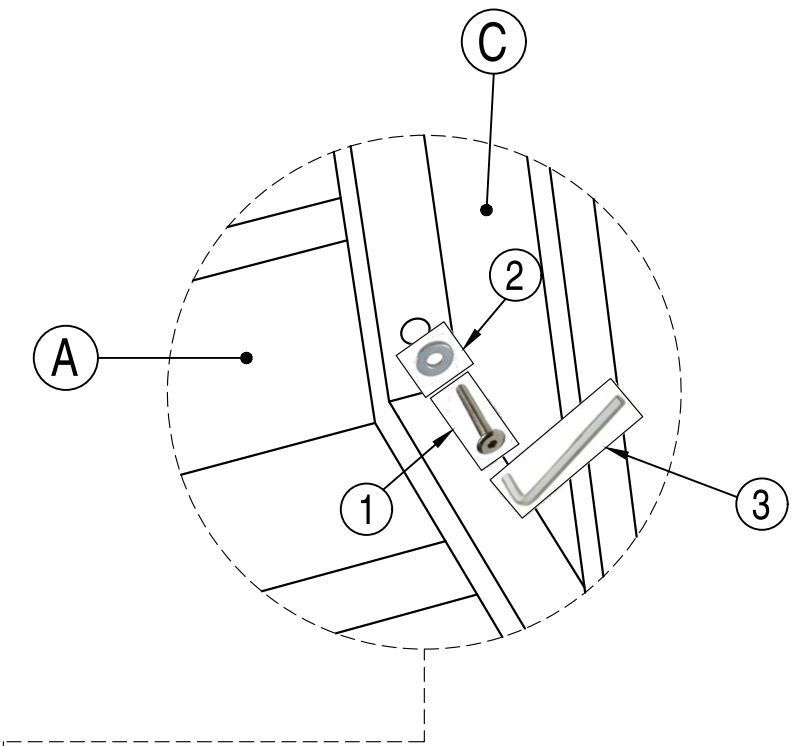
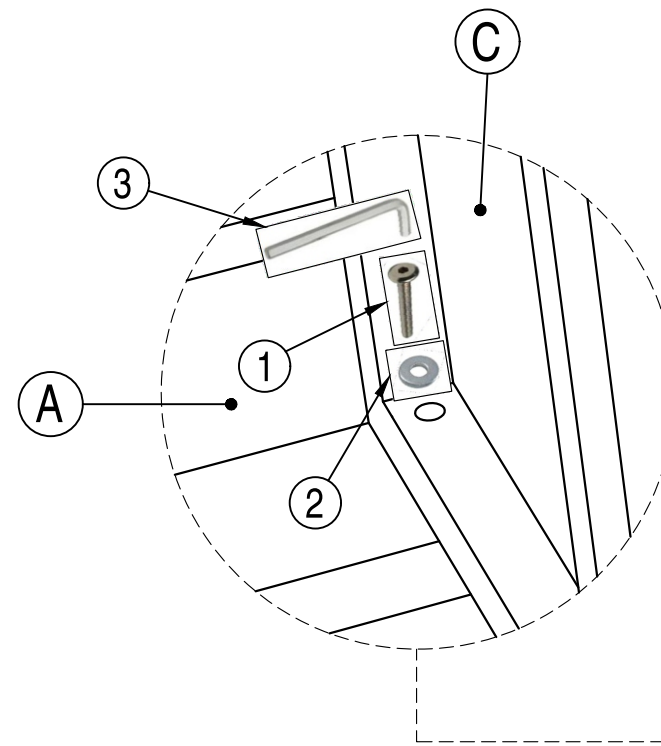
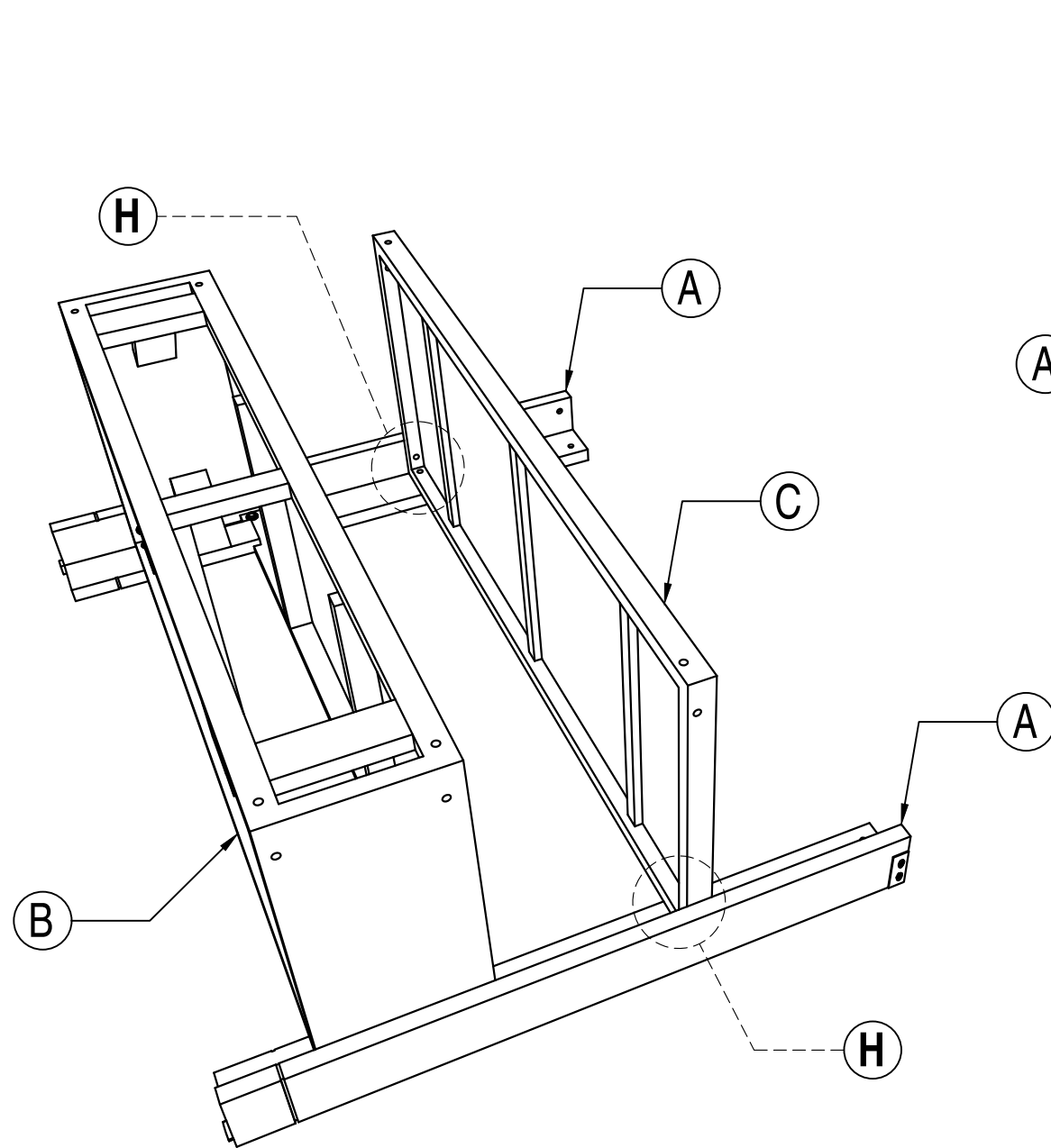
Quantity:
4 pcs



Quantity:
4 pcs

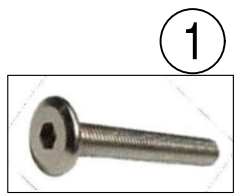


Quantity:
1 pc



DETAIL H

STEP 3



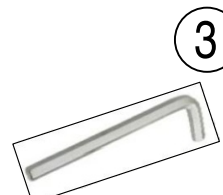
1

Quantity:
4 pcs



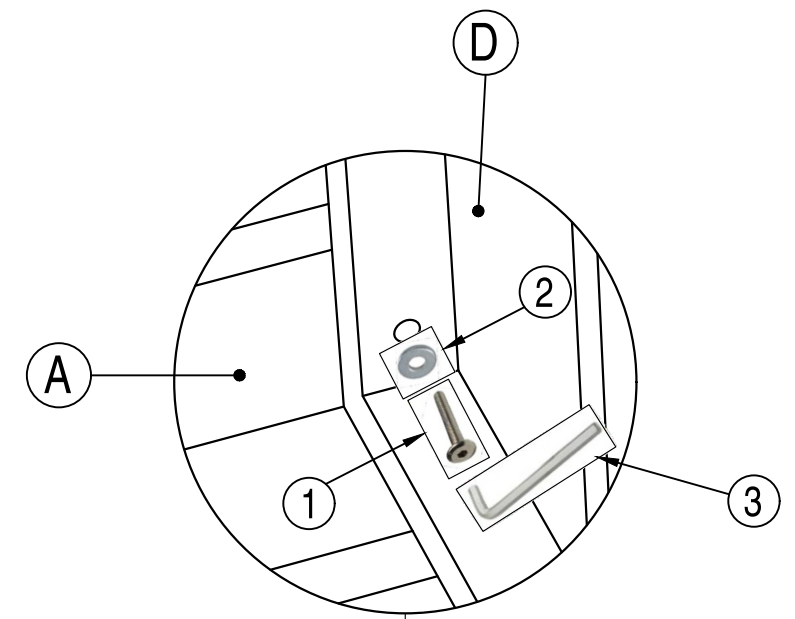
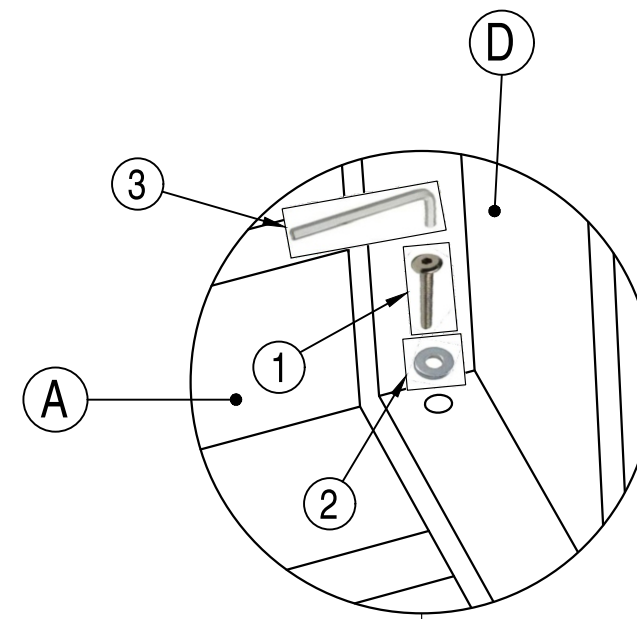
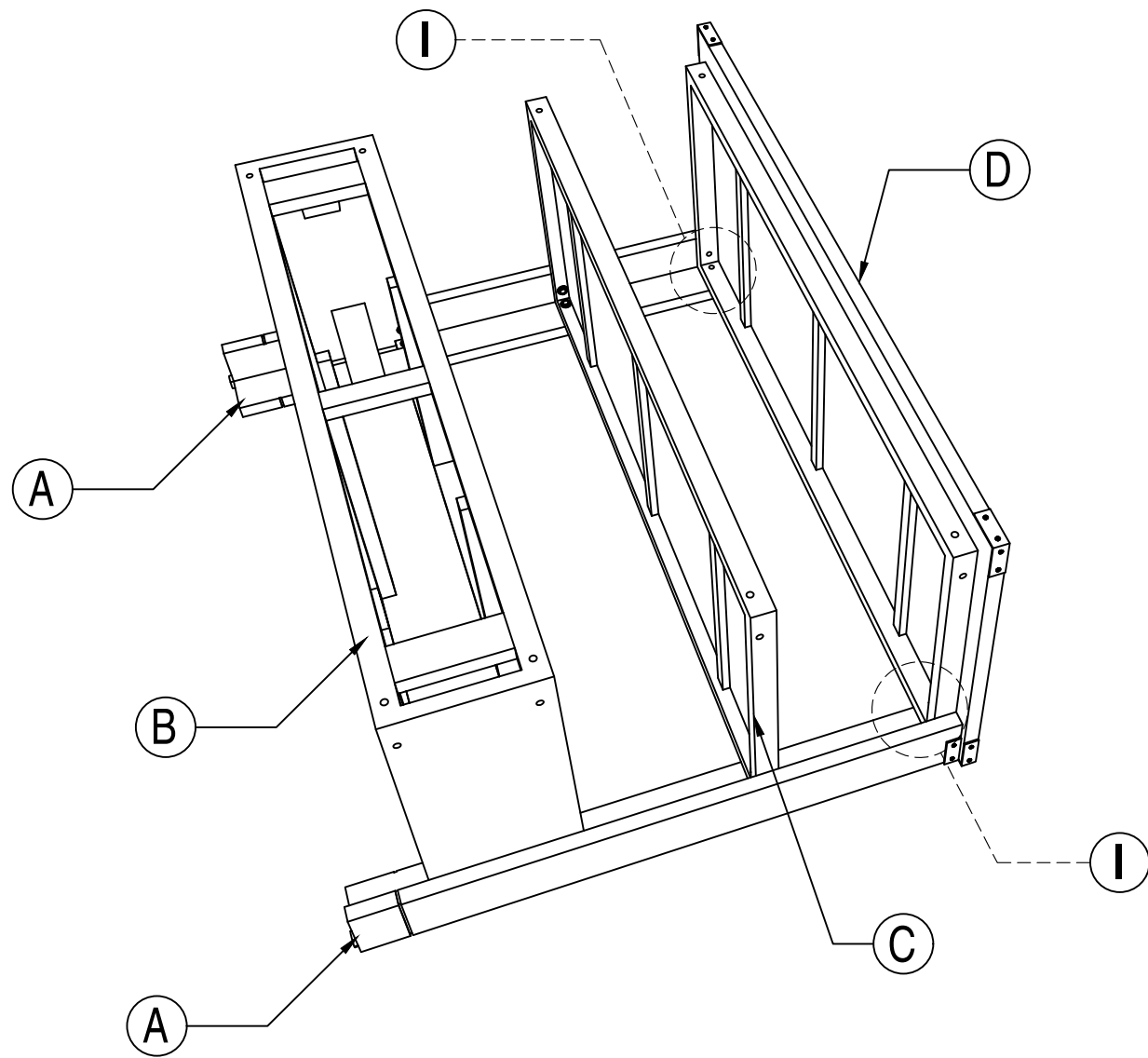
2

Quantity:
4 pcs



3

Quantity:
1 pc



DETAIL I

STEP 4

1



Quantity:
16 pcs

2

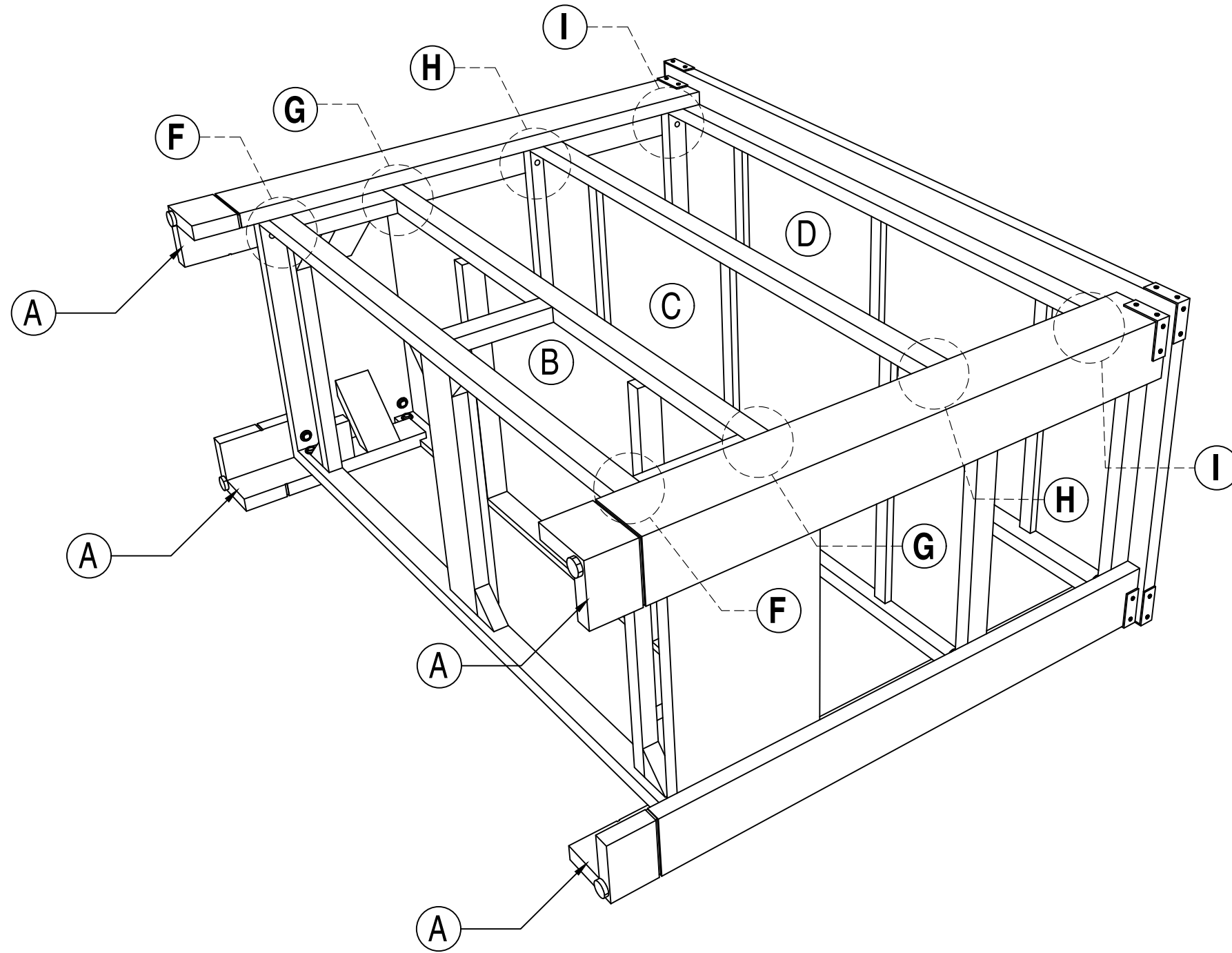


Quantity:
16 pcs

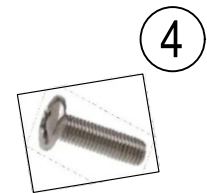
3



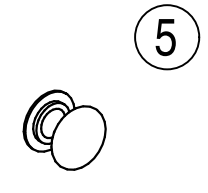
Quantity:
1 pc



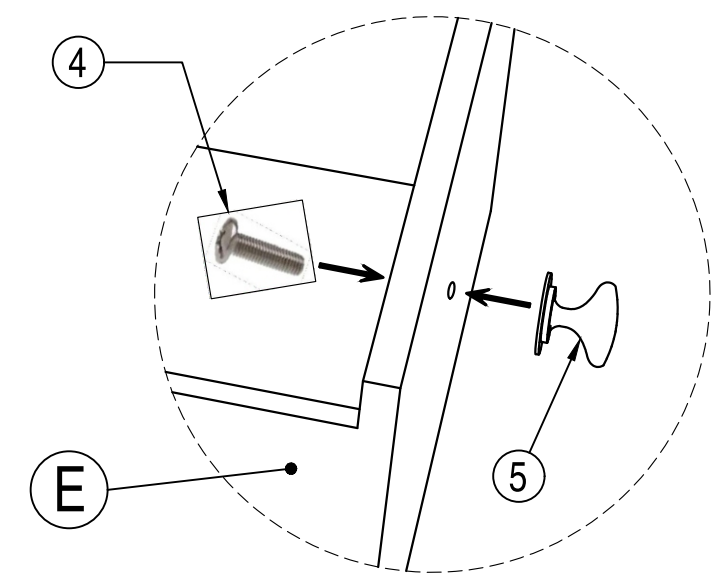
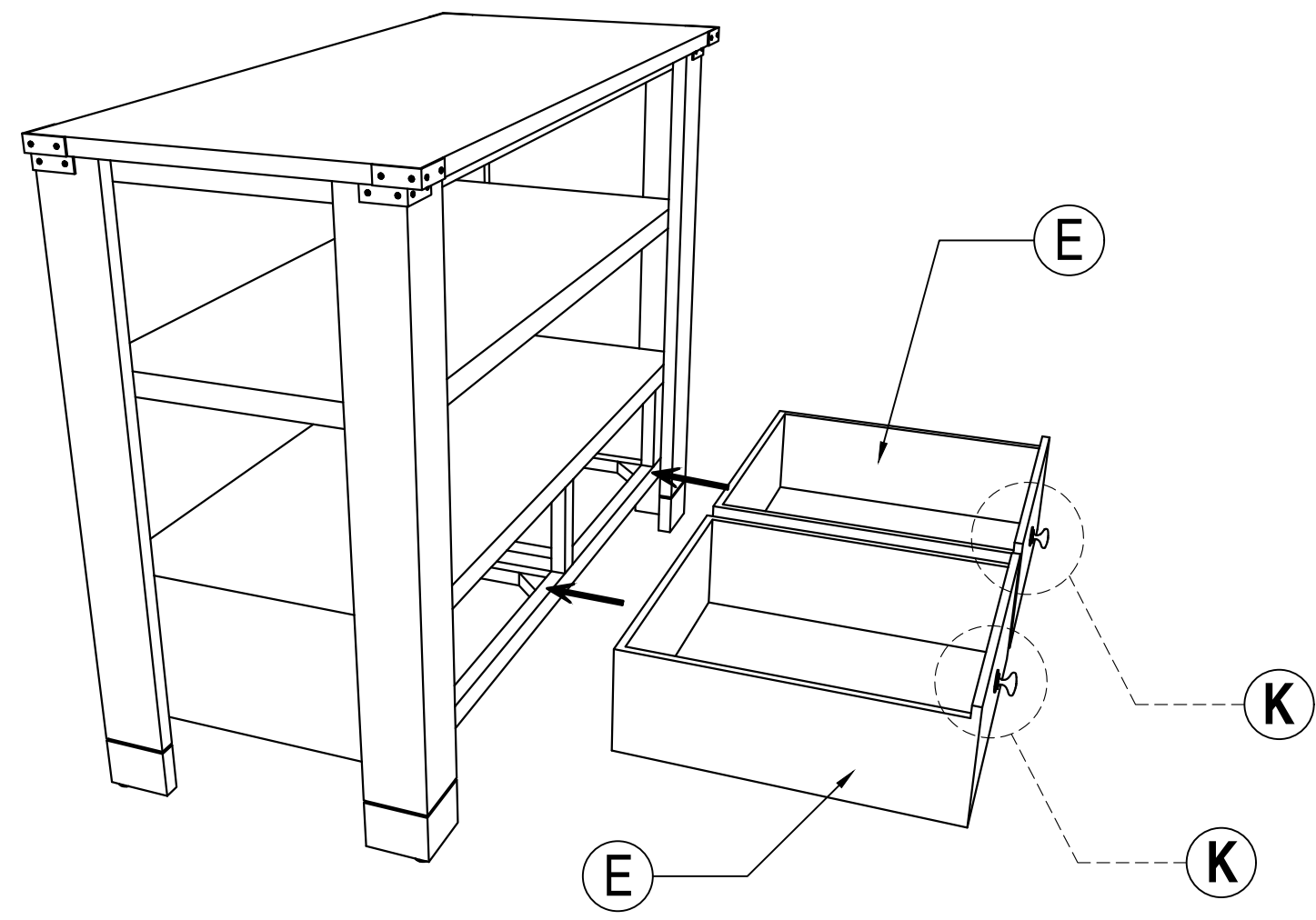
STEP 5



Quantity:
2 pcs



Quantity:
2 pcs



DETAIL K