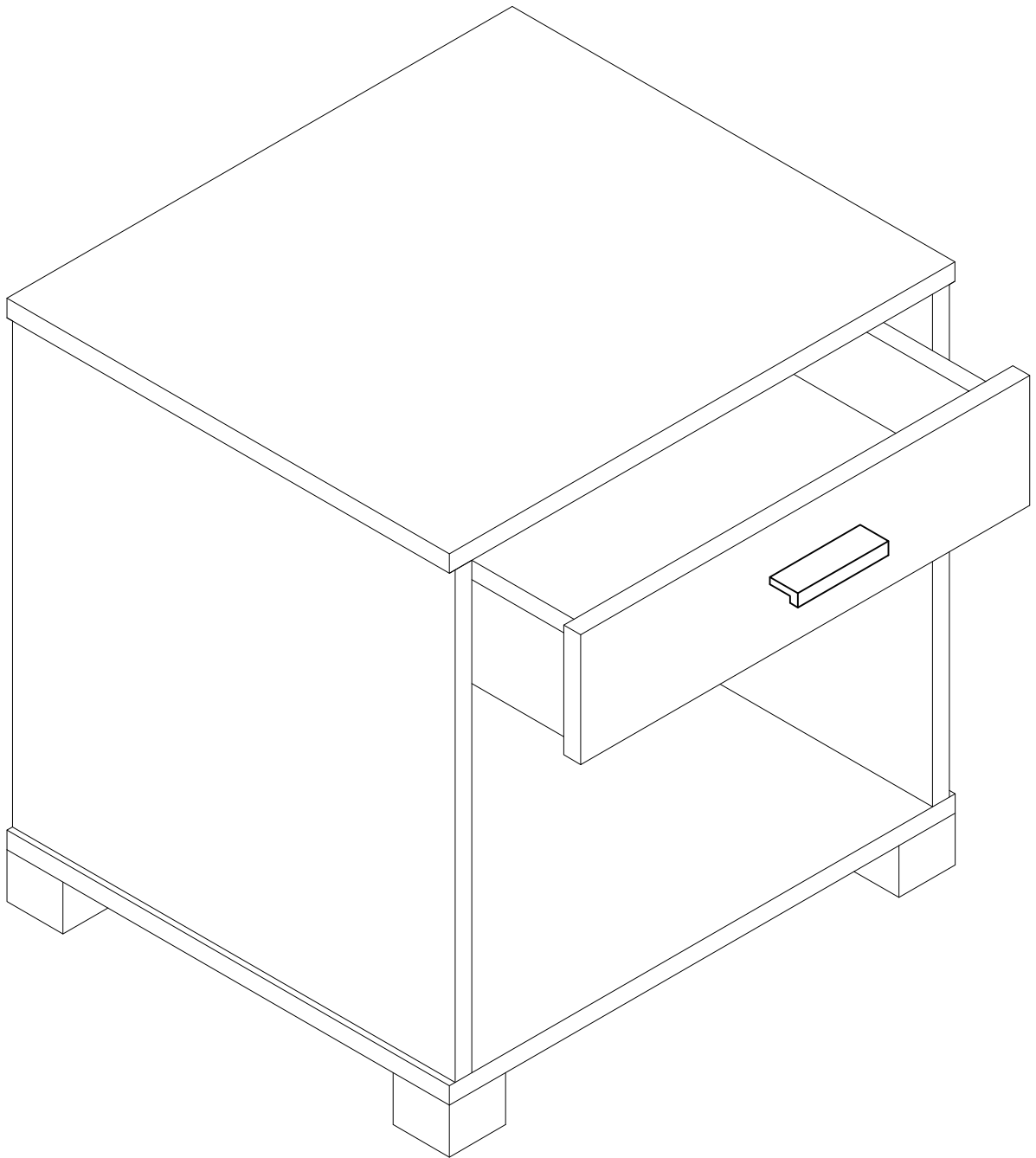


Night Stand
Assembly Instructions
Contains One Night Stand and Hardware



Night Stand

Contains One (1) Night Stand and Hardware

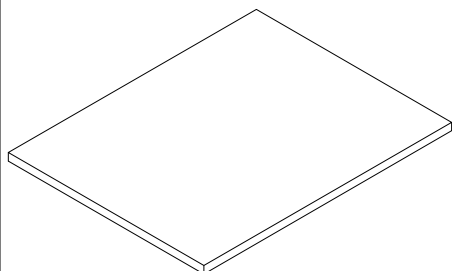
IMPORTANT NOTE:

Carefully remove all the parts from the box. Arrange on a flat surface and verify you have all of the following parts and hardware

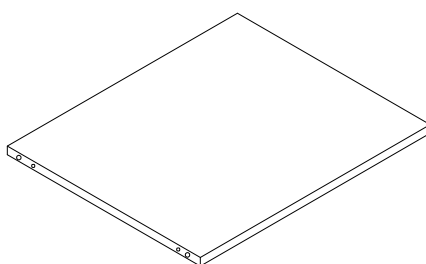
TOOLS REQUIRED:
-Phillips Screwdriver

PARTS LIST

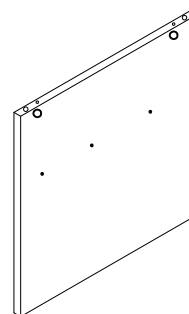
1.Top Panel (1 PC)



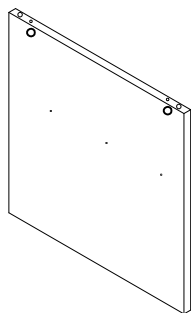
2.Bottom Panel (1 PC)



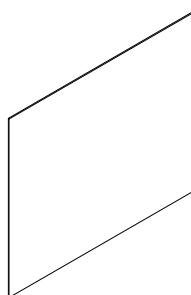
3.Left Side Panel (1 PC)



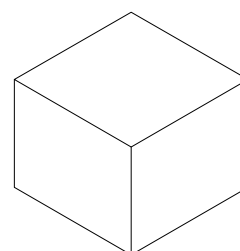
4.Right Side Panel (1 PC)



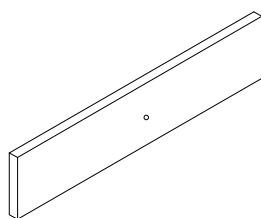
5.Back Panel (1 PC)



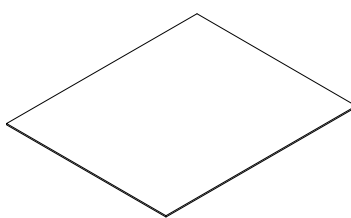
6.Legs (4 PCS)



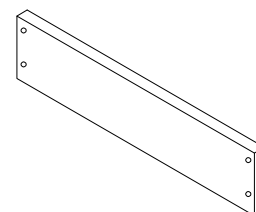
7.Drawer Front Panel (1 PC)



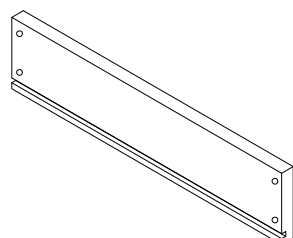
8.Drawer Bottom Panel (1 PC)



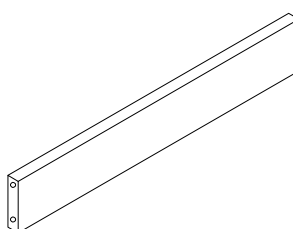
9.Drawer Left Side Panel (1 PC)



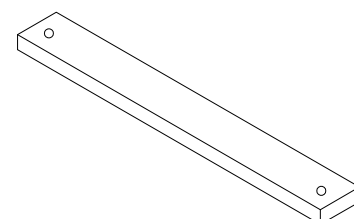
10.Drawer Right Side Panel (1 PC)



11.Drawer Back Panel (1 PC)

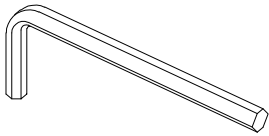


12.Drawer Bottom Bar (1 PC)

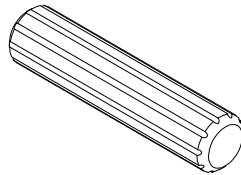


HARDWARE LIST

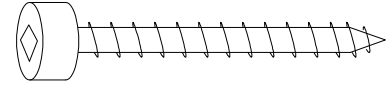
A.Allen Key (1 PC)



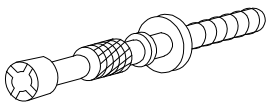
B.Dowel (8 PCS)



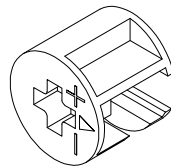
C.JCBC W 40mm (4 PCS)



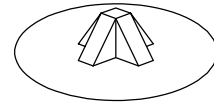
D.Minifix Bolt (4 PC)



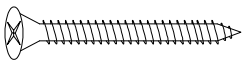
E.Minifix House (4 PCS)



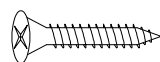
F.Minifix Cap (4 PCS)



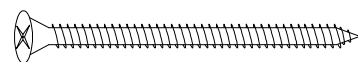
G.Screw 30mm (10 PCS)



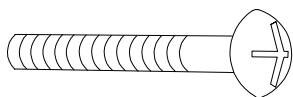
H.Screw 16mm (12 PCS)



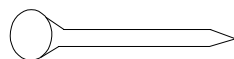
I.Screw 50mm (8 PCS)



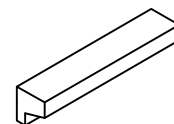
J.Handle Screw 35mm (2 PCS)



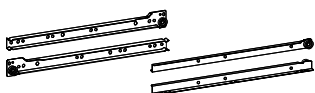
K.Nail (28 PCS)



L.Handle (1 PC)



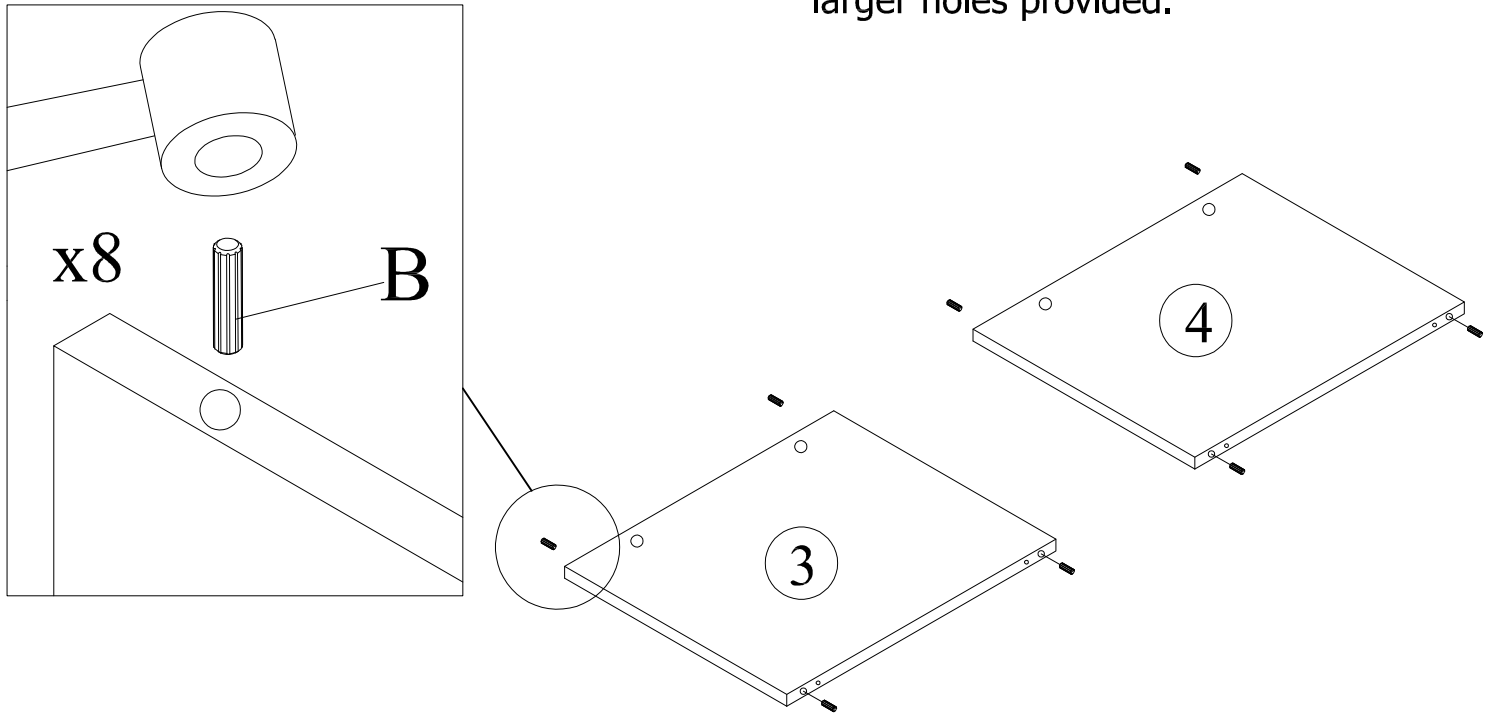
M.Drawer Slider (1 SET)



ASSEMBLY INSTRUCTIONS

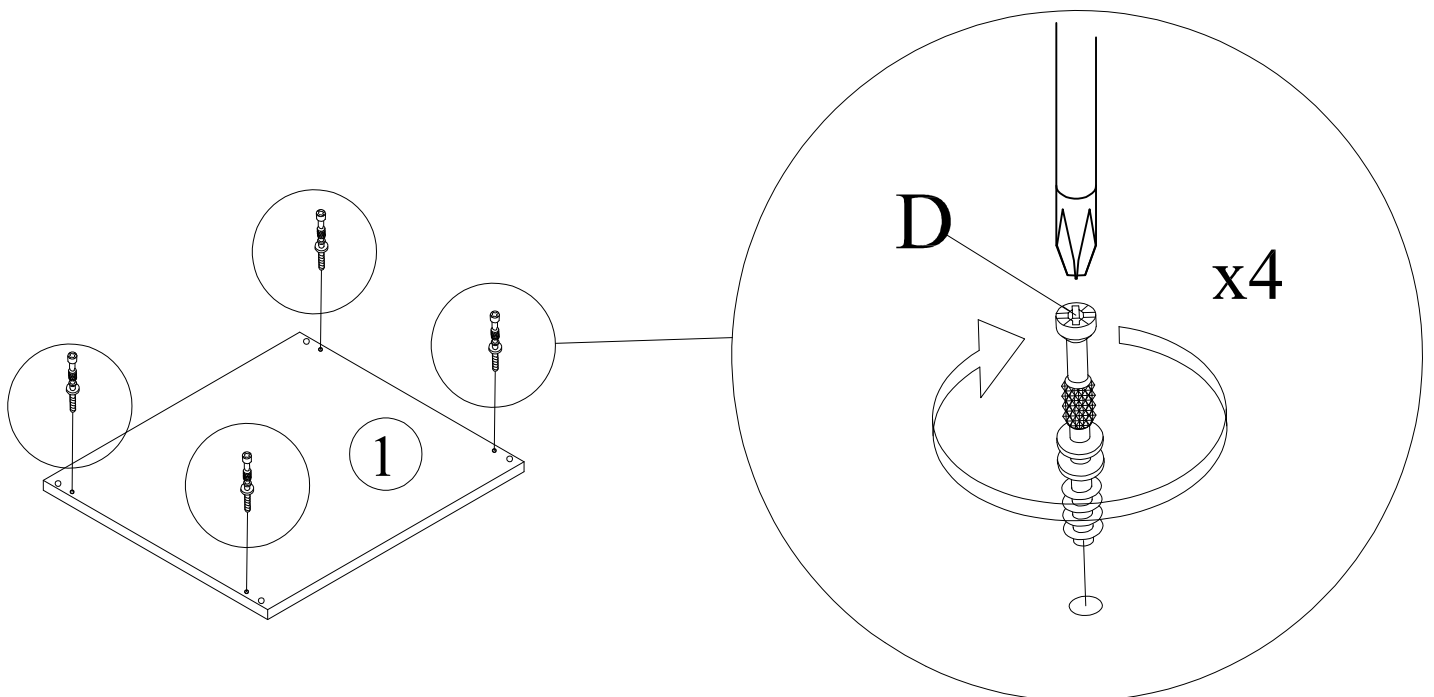
STEP 1

Tap Dowels into the Left and Right Side Panels (Part 3) and (Part 4) in the larger holes provided.



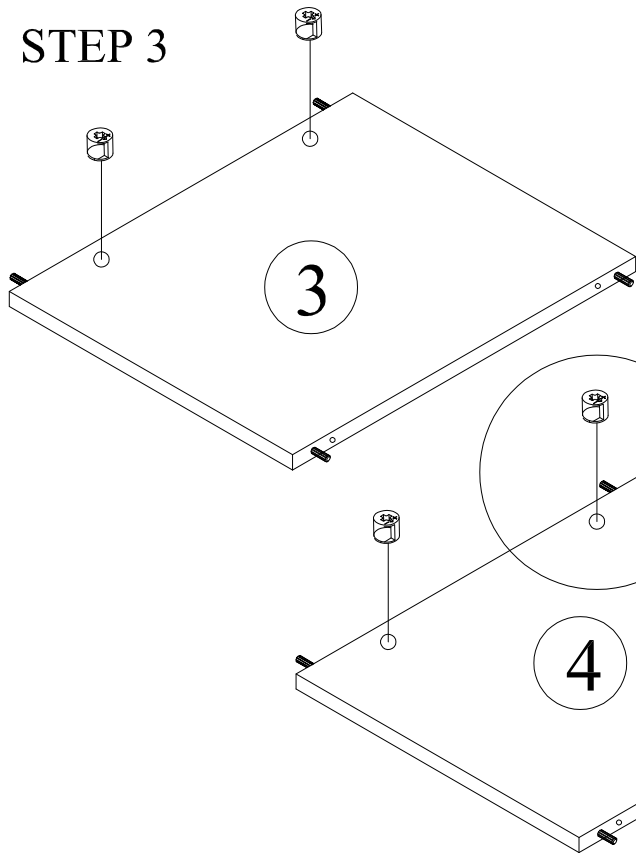
STEP 2

Using a Phillips Head Screwdriver, attach Minifix Bolts (D) to the Top Panel (Part 1).

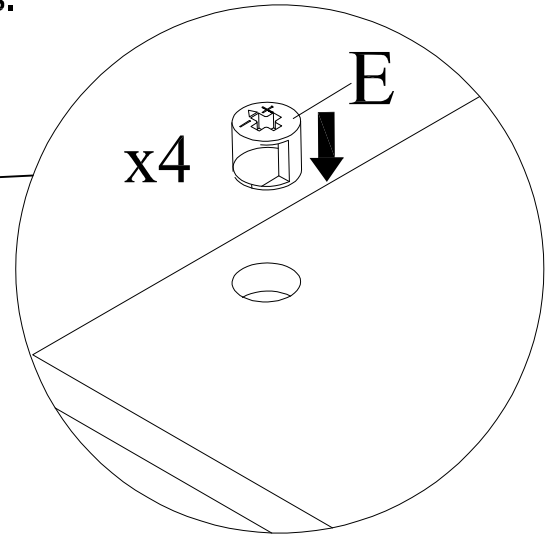


ASSEMBLY INSTRUCTIONS

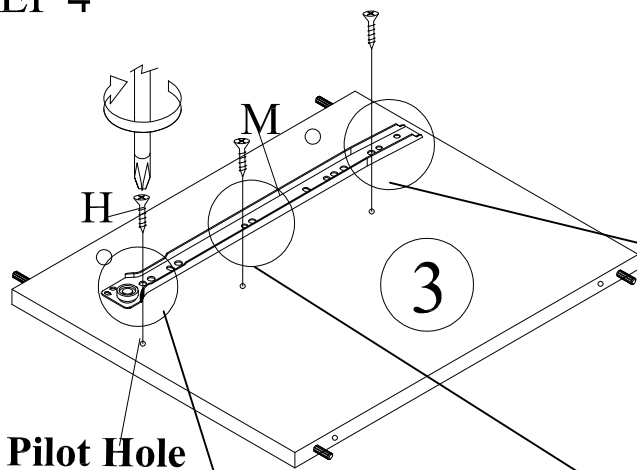
STEP 3



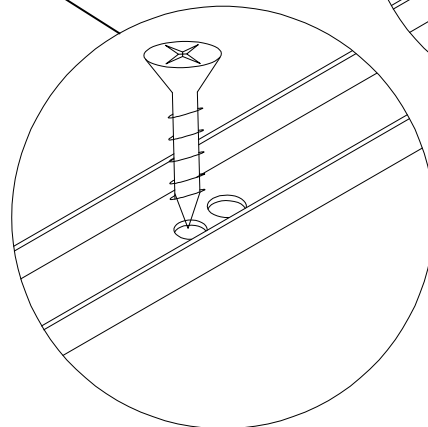
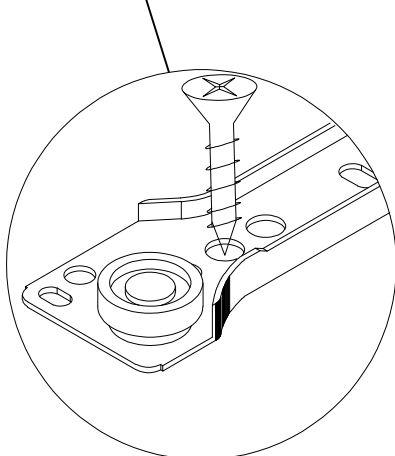
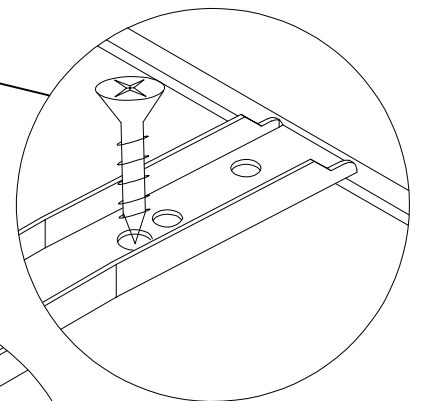
Insert Minifix House (Part E) into the Left and Right Side Panels (Part 4 and 3) as shown. Ensure the open side of the Minifix House is facing the opening on the left and right side panels.



STEP 4



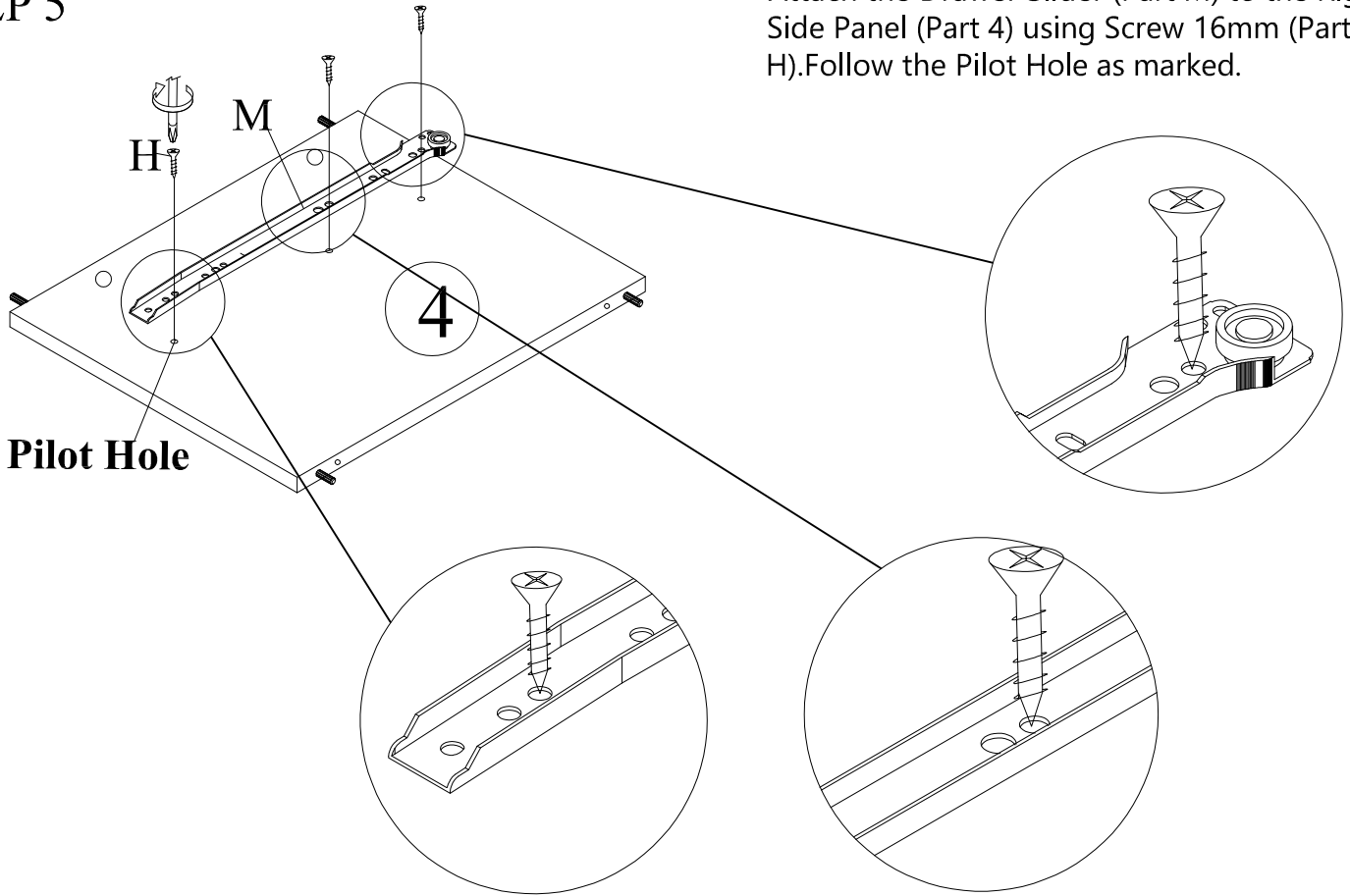
Attach the Drawer Slider (Part M) to the Left Side Panel (Part 3) using Screw 16mm (Part H). Follow the Pilot Hole as marked.



ASSEMBLY INSTRUCTIONS

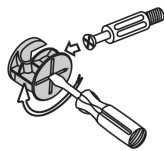
STEP 5

Attach the Drawer Slider (Part M) to the Right Side Panel (Part 4) using Screw 16mm (Part H). Follow the Pilot Hole as marked.



STEP 6

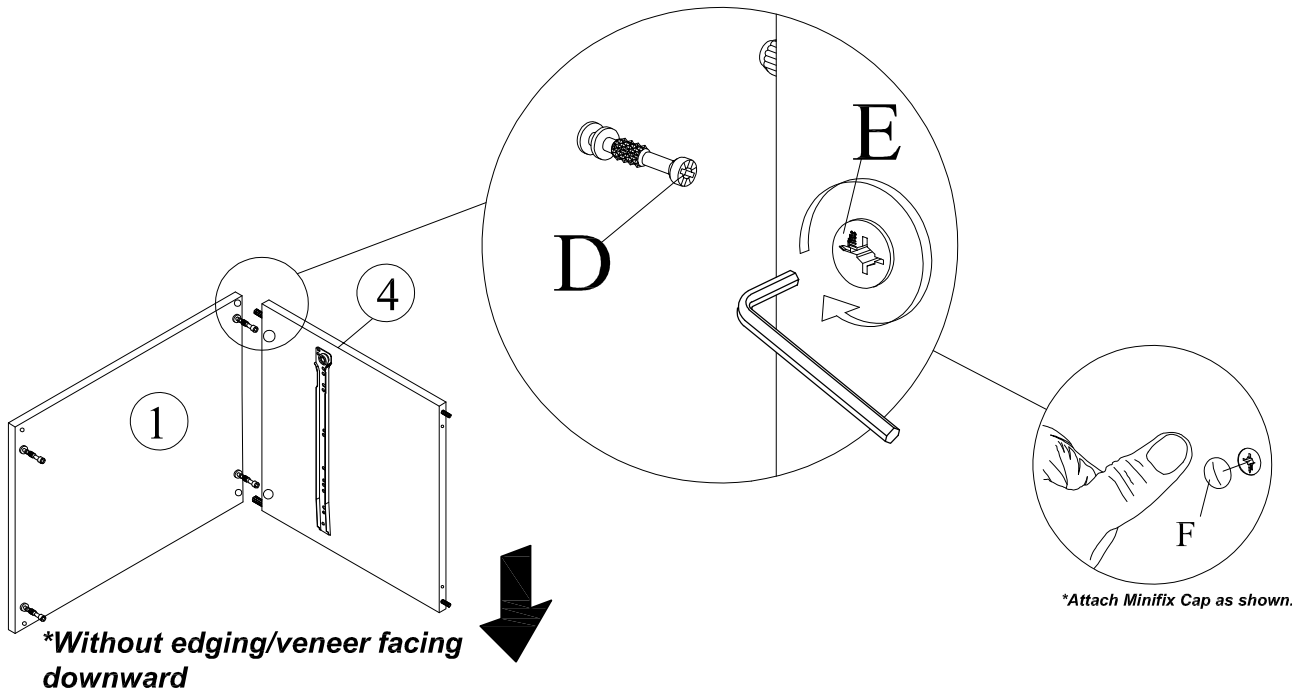
This is how a mini fix works...



The head of the mini fix housing goes into the open mouth of the mini fix bolt. You then turn the mini fix housing so it tightens over the mini fix bolt.

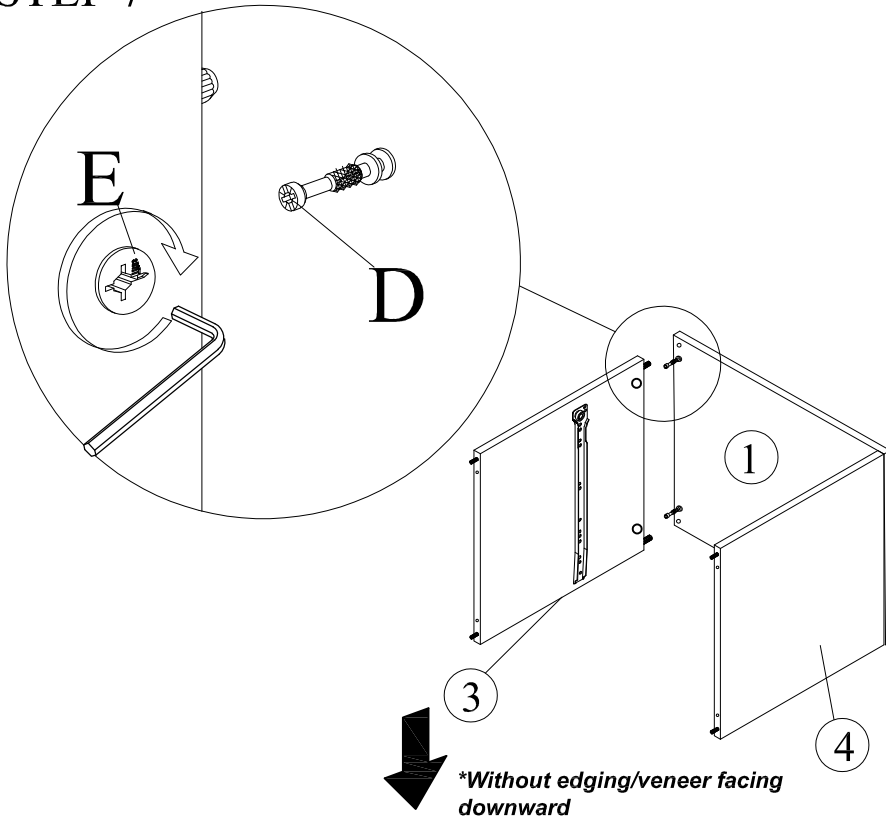
Attach the Top Panel (Part 1) to the Right Side Panel (Part 4) as shown. Turn the Minifix House (Part E) to tighten using the Allen Key or screwdriver.

Cover the Minifix House using the Minifix Cap (Part F) by pressing it into the Minifix House.



ASSEMBLY INSTRUCTIONS

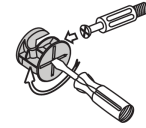
STEP 7



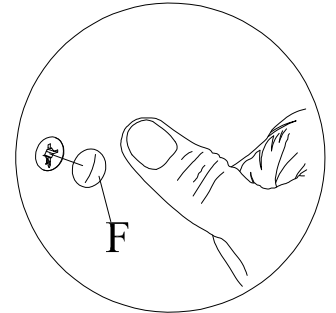
Attach the Top Panel (Part 1) to the Left Side Panel (Part 3) as shown. Turn the Minifix House (Part E) to tighten using the Allen Key or screwdriver.

Cover the Minifix House using the Minifix Cap (Part F) by pressing it into the Minifix House.

This is how a mini fix works...

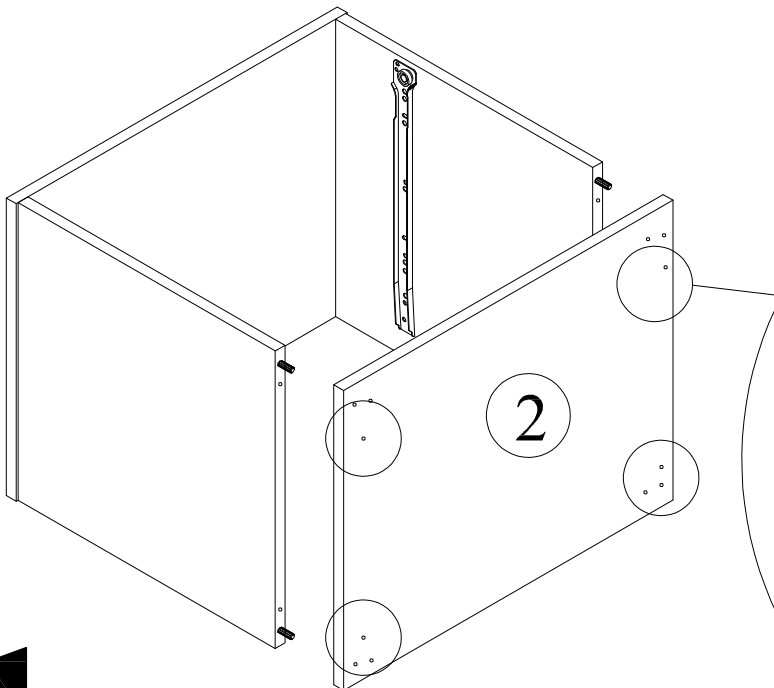


The head of the mini fix housing goes into the open mouth of the mini fix bolt. You then turn the mini fix housing so it tightens over the mini fix bolt.

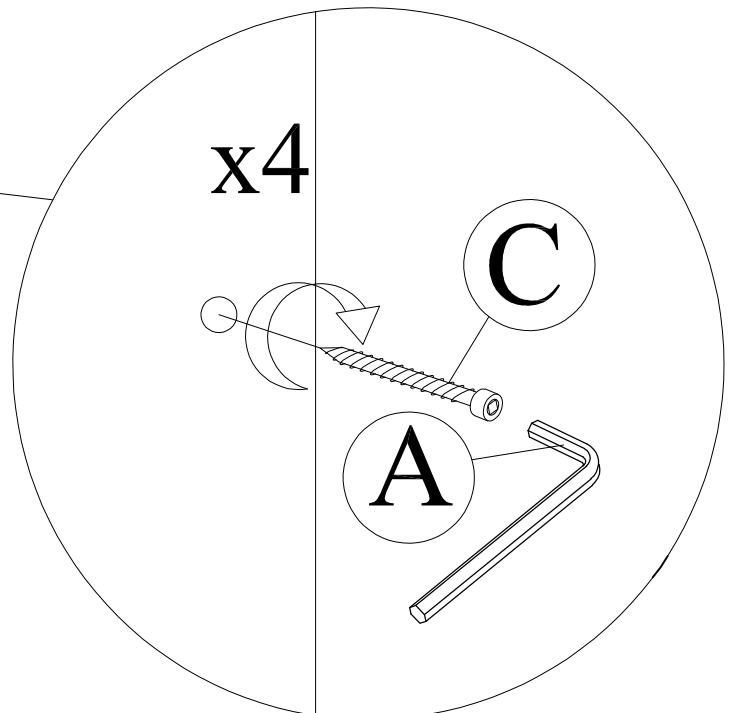


*Attach Minifix Cap as shown.

STEP 8



Attached the Bottom Panel (Part 2) to the bottom of the Nightstand using 4 JCBC W 40mm screws (Part C) . Tighten using Allen Key (Part A).

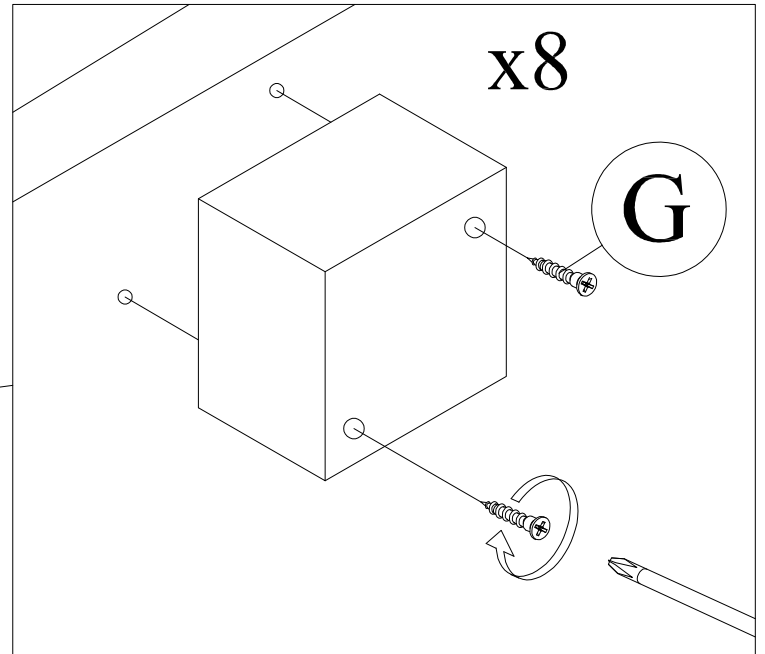
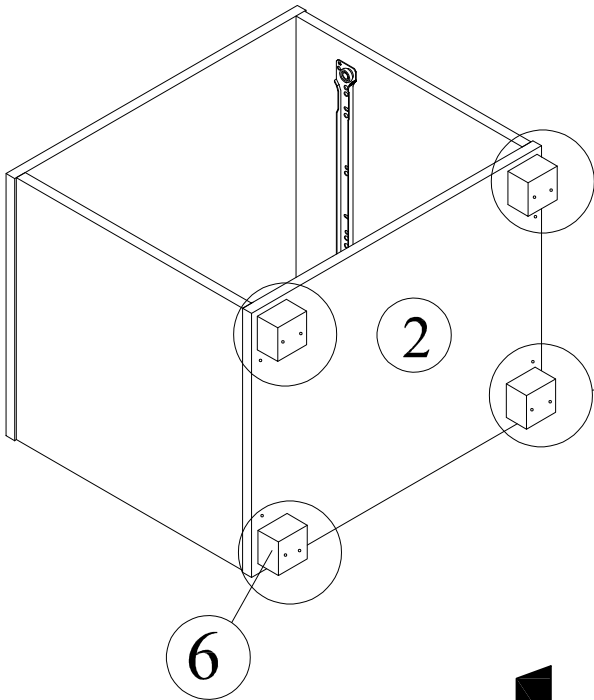


***Without edging/veneer facing downward**

ASSEMBLY INSTRUCTIONS

STEP 9

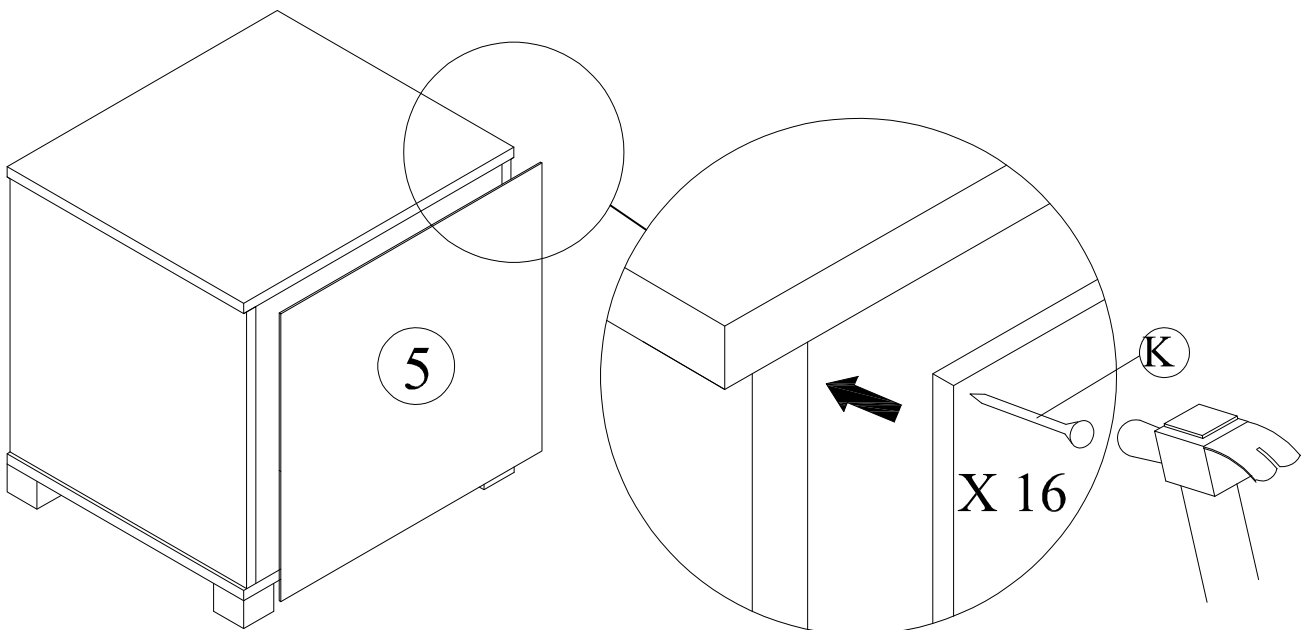
Attach the Legs (Part 6) to the Bottom Panel (Part 2) in the holes provided using 8 30mm Screws (Part G) and a Phillips Head Screwdriver.



**Without edging/veneer facing downward*

STEP 10

Attach the Back Panel (Part 5) by using the Nail (Part K) as shown. Be sure to attach nails on all 4 sides of the back panel to secure properly.



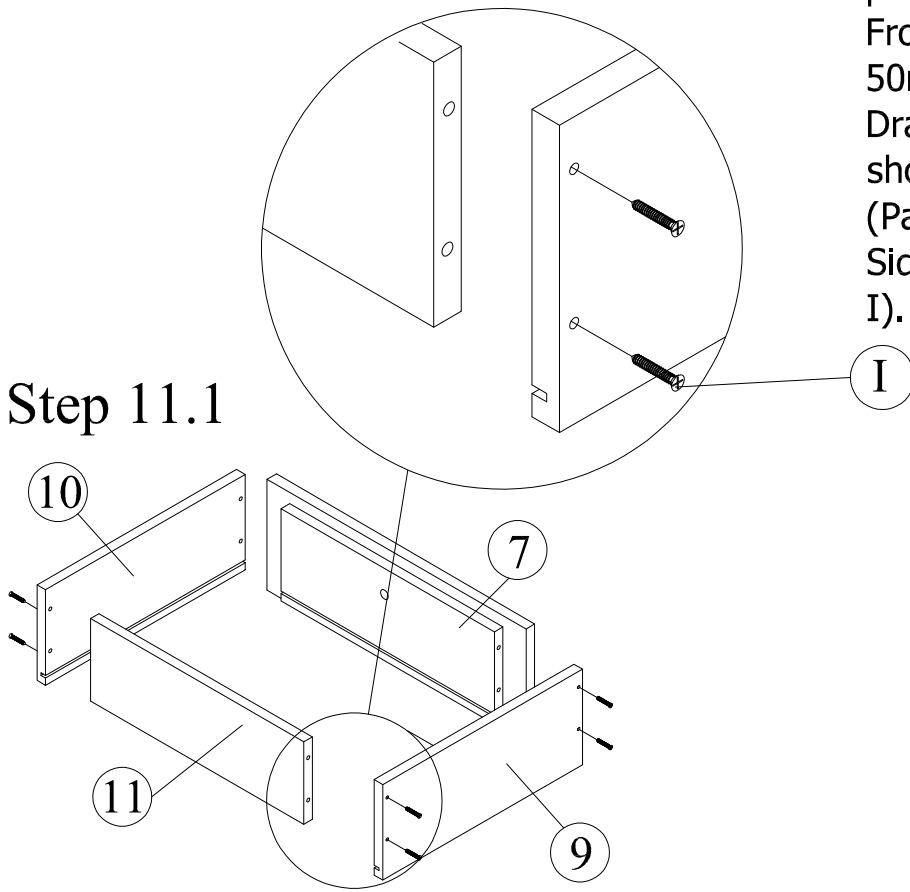
BACK VIEW

ASSEMBLY INSTRUCTIONS

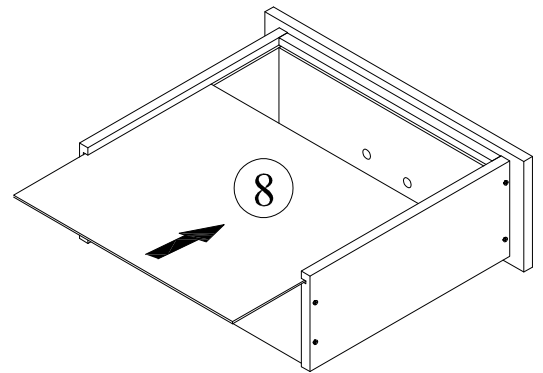
STEP 11

Attach the Left and Right Drawer side panels (Parts 9 and 10) to the Drawer Front Panel (Part 7) using Screw 50mm (Part I) as shown. Insert the Drawer Bottom Panel (Part 8) as shown. Attach the Drawer Back Panel (Part 11) to the Left and Right Drawer Side Panels using Screw 50mm (Part I).

Step 11.1



Step 11.2

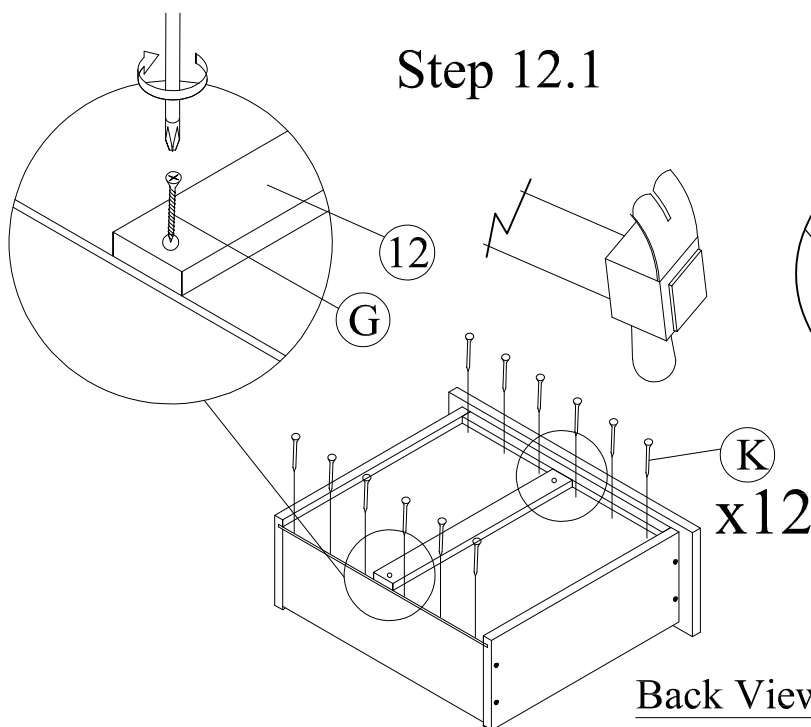


Back View

STEP 12

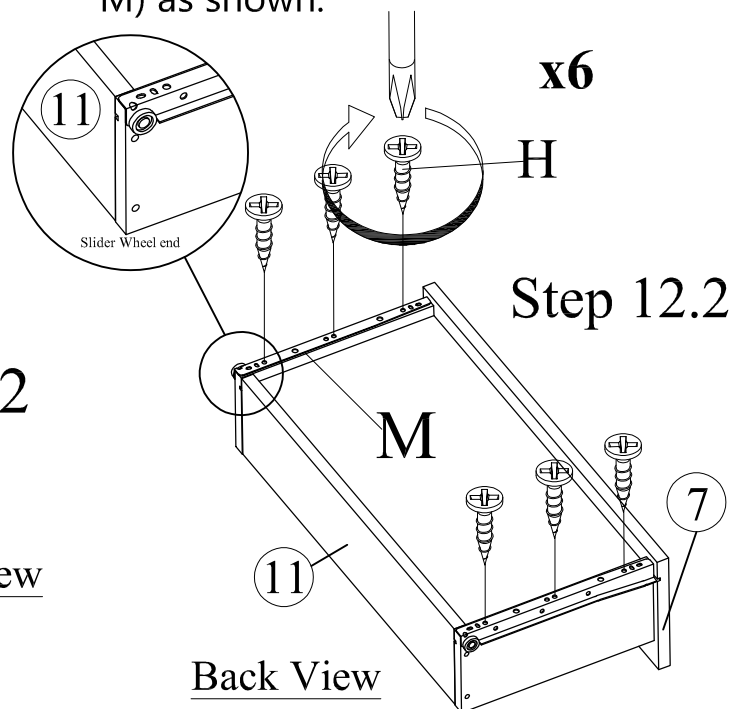
Attach the Drawer Bottom Bar (Part 12) using the Screw 30mm (Part G) and Nail (Part K) as shown. Attach Screw 16mm (Part H) to slider (Part M) as shown.

Step 12.1



Back View

Step 12.2

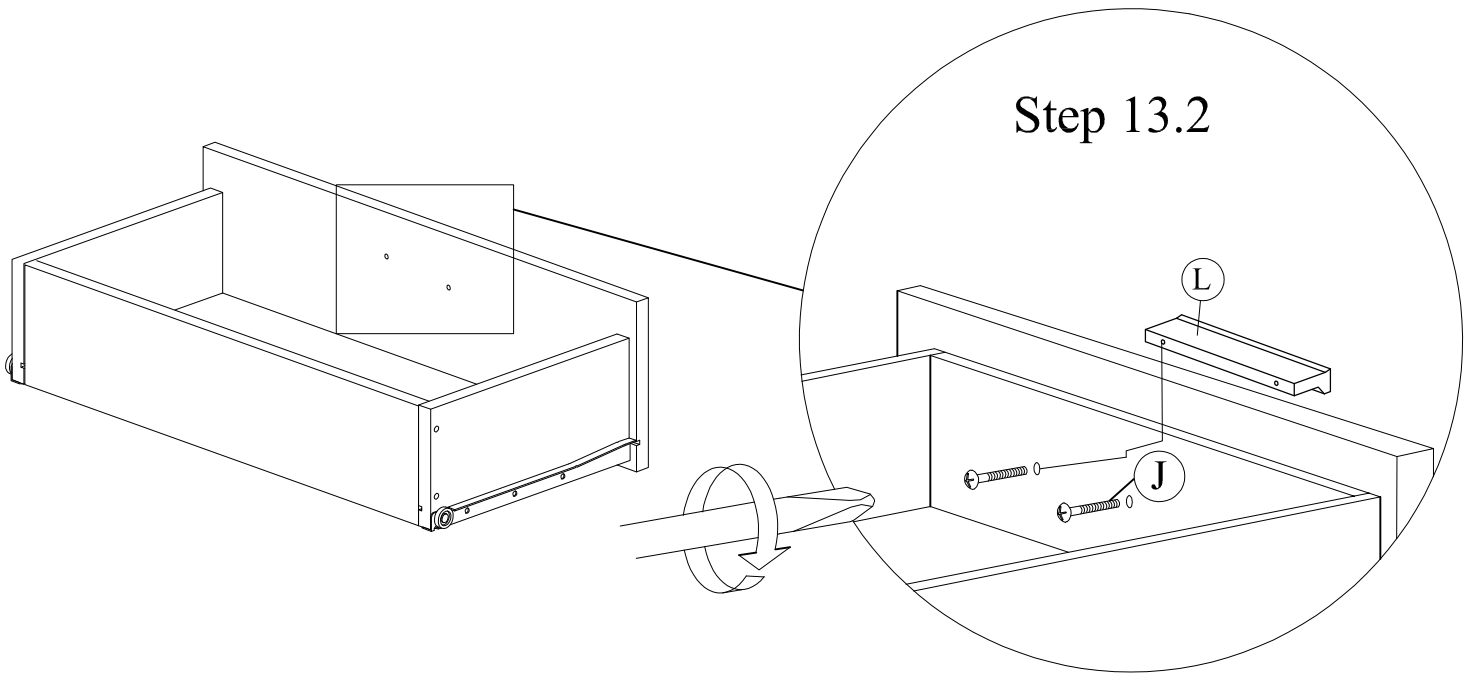


Back View

ASSEMBLY INSTRUCTIONS

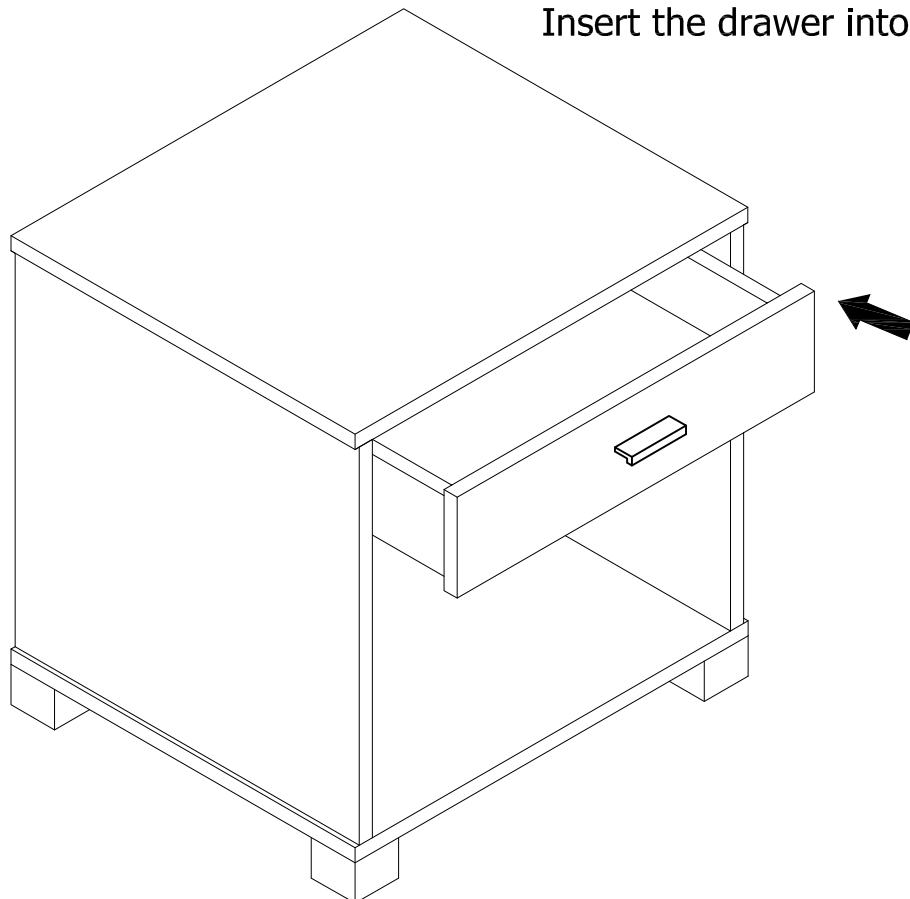
STEP 13

Attach Handle Screw (Part J) to the Handle (Part L) through Drawer Front Panel (Part 7) using a phillips head screwdriver.



STEP 14

Insert the drawer into the nightstand



ASSEMBLY INSTRUCTIONS

YOUR NIGHTSTAND IS NOW READY FOR USE

