



ARIENS

Edge Bagger

Parts Manual

Models:

815046 – 42" Bagger kit
(SN 000101+)

815047 – 52" Bagger Kit
(SN 000101+)

TABLE OF CONTENTS

Decals.....	3
Weight	4
Bagger Neck and Hose	5
Bagger Neck, Blade and Hose	6
Bagger Hood Assembly	7
Bagger Frame Assembly	8

DECALS

Models All

⚠ WARNING / AVERTISSEMENT / ADVERTENCIA

- Stop engine and wait for all moving parts to stop before opening cover.
- Avoid tip over and loss of control.
- DO NOT overload bagger. Use extreme caution on slopes.
- DO NOT make abrupt turns or speed changes.
- Weight kit is required when specified.
- Be aware of new turning radius.

• Arrêter le moteur et attendre l'arrêt complet de toutes les pièces en mouvement avant d'ouvrir le couvercle.

• Éviter le basculement et la perte de contrôle de la machine.

• NE PAS surcharger l'ensacheuse. Faire preuve d'extrême prudence sur les pentes.

• NE PAS effectuer des virages serrés et des changements de vitesses soudains.

• Le kit de masses est requis lorsque cela est spécifié.

• Faire attention au nouveau rayon de braquage.

• Apagar el motor y esperar a que todas las piezas móviles se detengan antes de abrir la cubierta.

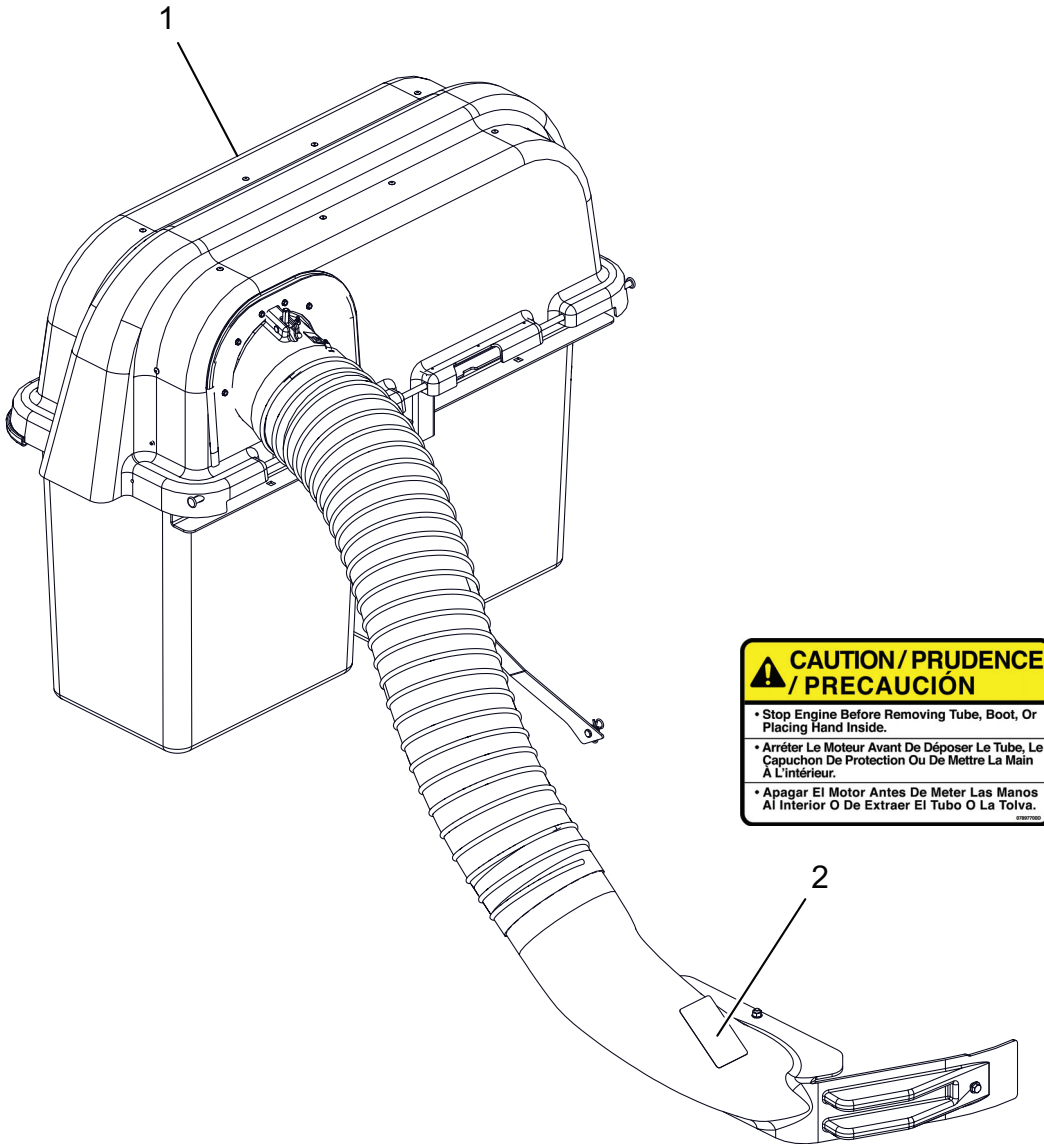
• Evitar el vuelco y la pérdida de control.

• NO sobrecargar la embolsadora. Tener cuidado en las pendientes.

• NO realizar giros o cambios de velocidad bruscos.

• El juego de contrapesos es necesario cuando se especifica.

• Tener cuidado con el nuevo radio de giro.



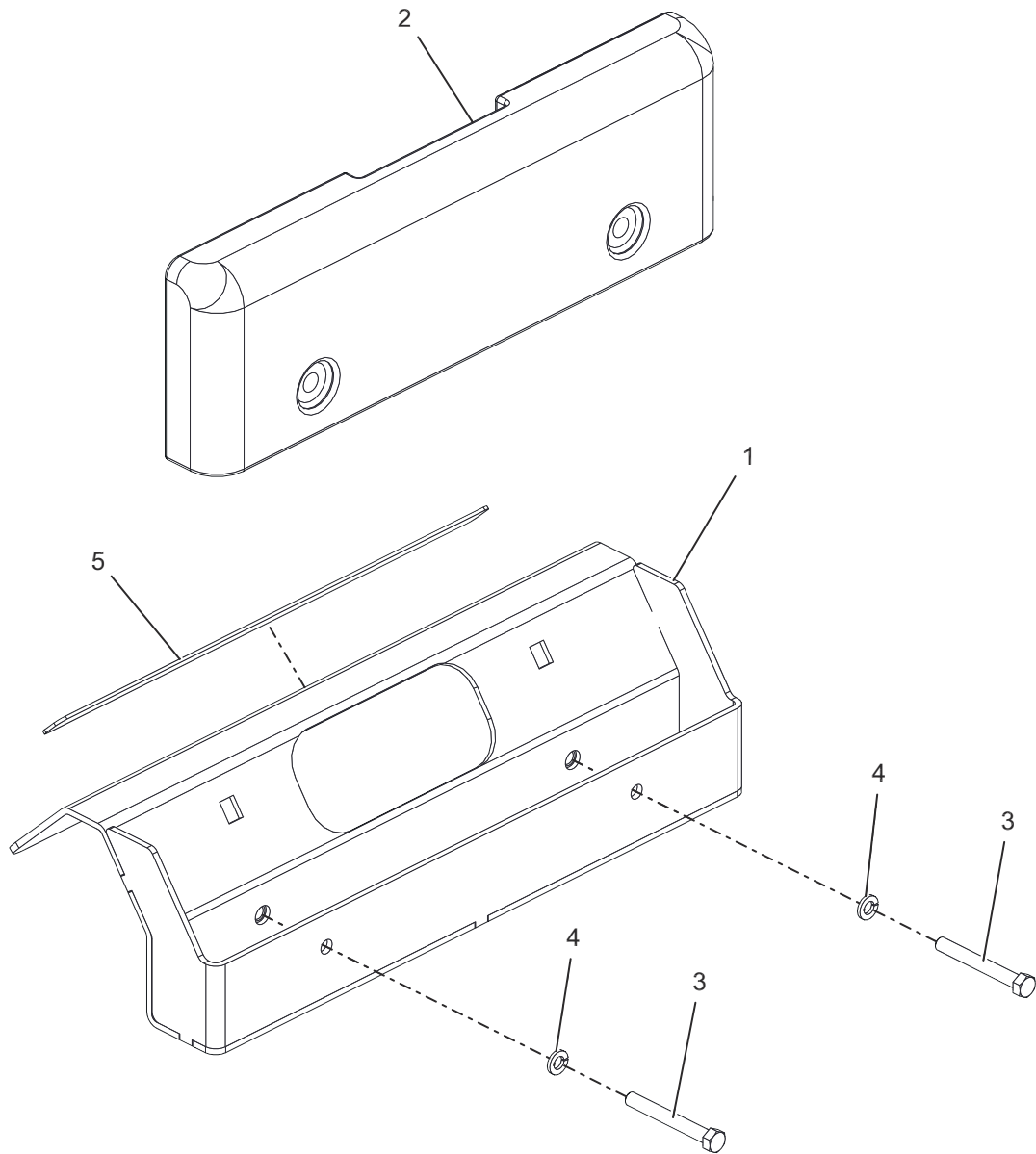
⚠ CAUTION / PRUDENCE / PRECAUCIÓN

- Stop Engine Before Removing Tube, Boot, Or Placing Hand Inside.
- Arrêter Le Moteur Avant De Déposer Le Tube, Le Capucion De Protection Ou De Mettre La Main À L'intérieur.
- Apagar El Motor Antes De Meter Las Manos Al Interior O De Extraer El Tubo O La Tolva.

BOM ID	Number	Qty	Generic Description
1	05359700	1	DECAL, BAGGER COVER
2	07897700	1	DECAL, BOOT CAUTION

WEIGHT

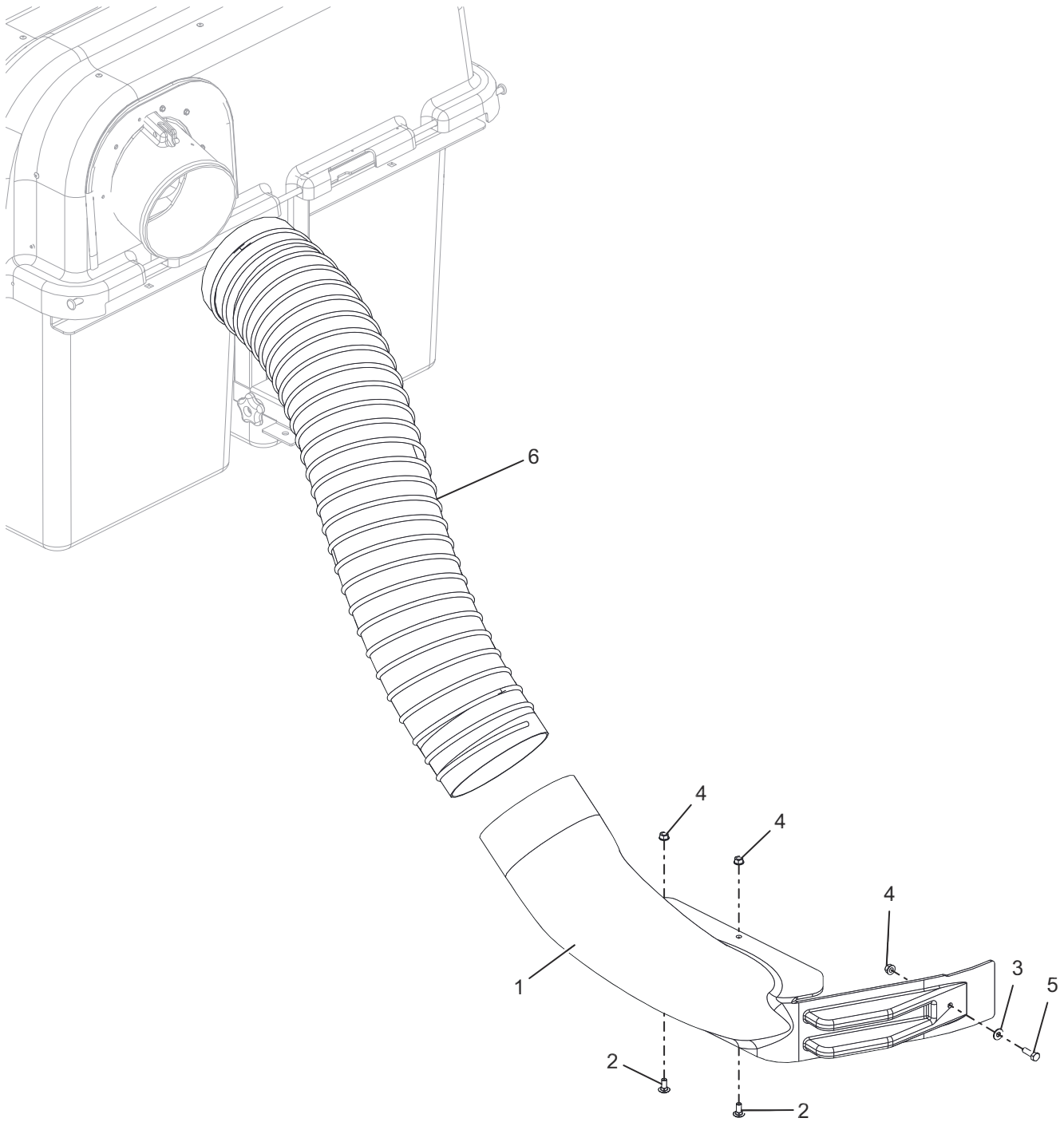
Models All



BOM ID	Number	Qty	Generic Description
1	04215451	1	WLDMT, BAGGER - WEIGHT (BLACK)
2	00172000	1	WEIGHT, CAST IRON
3	05901814	2	BLT, HEX 0.375-16X3 GR5 ZCC
4	06300116	2	WSHR,LK-REG 0.377 X 0.094 ZCC
5	03833800	1	GRIP, ADHESIVE (1" X 16" BLK)

BAGGER NECK AND HOSE

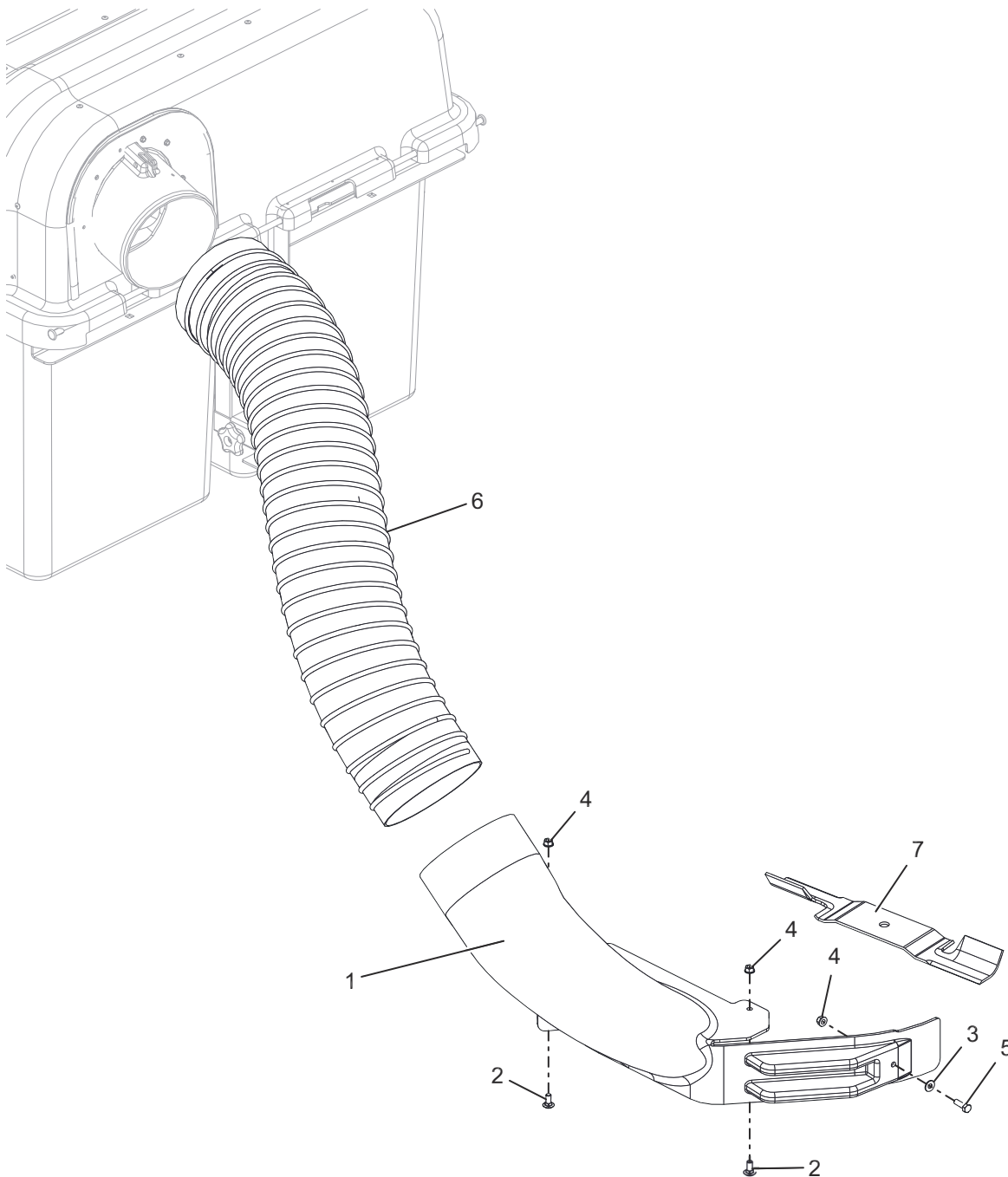
Model 815046



BOM ID	Number	Qty	Generic Description
1	51535900	1	EDGE BAGGER NECK KIT - 42"
2	06200232	2	BTL,RHSN .313-18 X 0.75 G5 ZCC
3	06401124	1	WSHR-FL-STL 0.312X0.734X0.065 ZCC
4	06500840	3	NUT, FLG-CTR LK .312-18 GR5 ZCC
5	05901701	1	BLT, HEX 0.3125-18X1 GR5 ZC120
6	04222900	1	HOSE, FLEXIBLE-47"

BAGGER NECK, BLADE AND HOSE

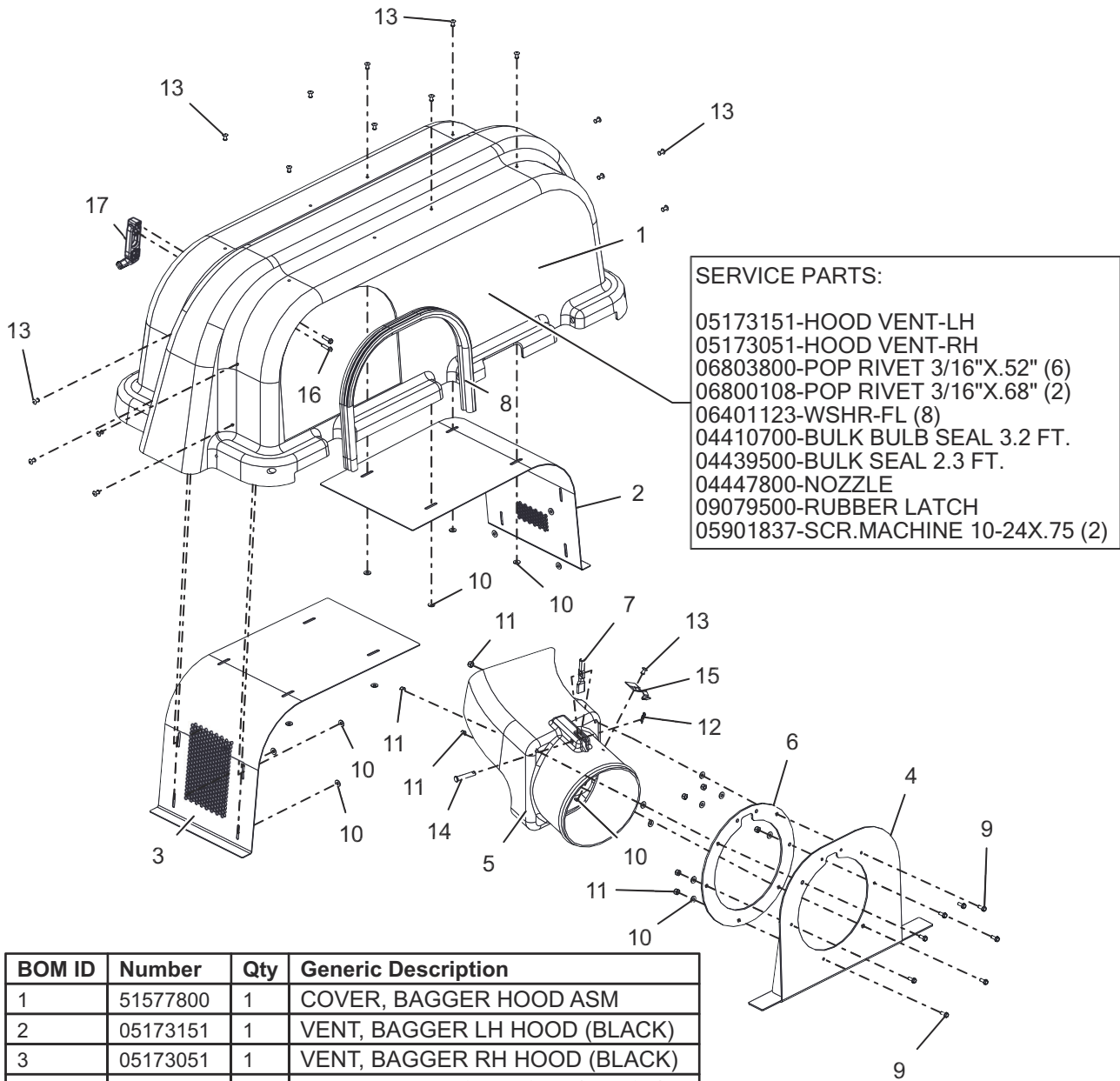
Model 815047



BOM ID	Number	Qty	Generic Description
1	51536000	1	NECK, BAGGER - 52" DECK
2	06200232	2	BTL,RHSN .313-18 X 0.75 G5 ZCC
3	06401124	1	WSHR-FL-STL 0.312X0.734X0.065 ZCC
4	06500840	3	NUT, FLG-CTR LK .312-18 GR5 ZCC
5	05901701	1	BLT, HEX 0.3125-18X1 GR5 ZC120
6	04222900	1	HOSE, FLEXIBLE-47"
7	09166800	1	BLADE, MOWER - 18" HI-LIFT

BAGGER HOOD ASSEMBLY

Models All

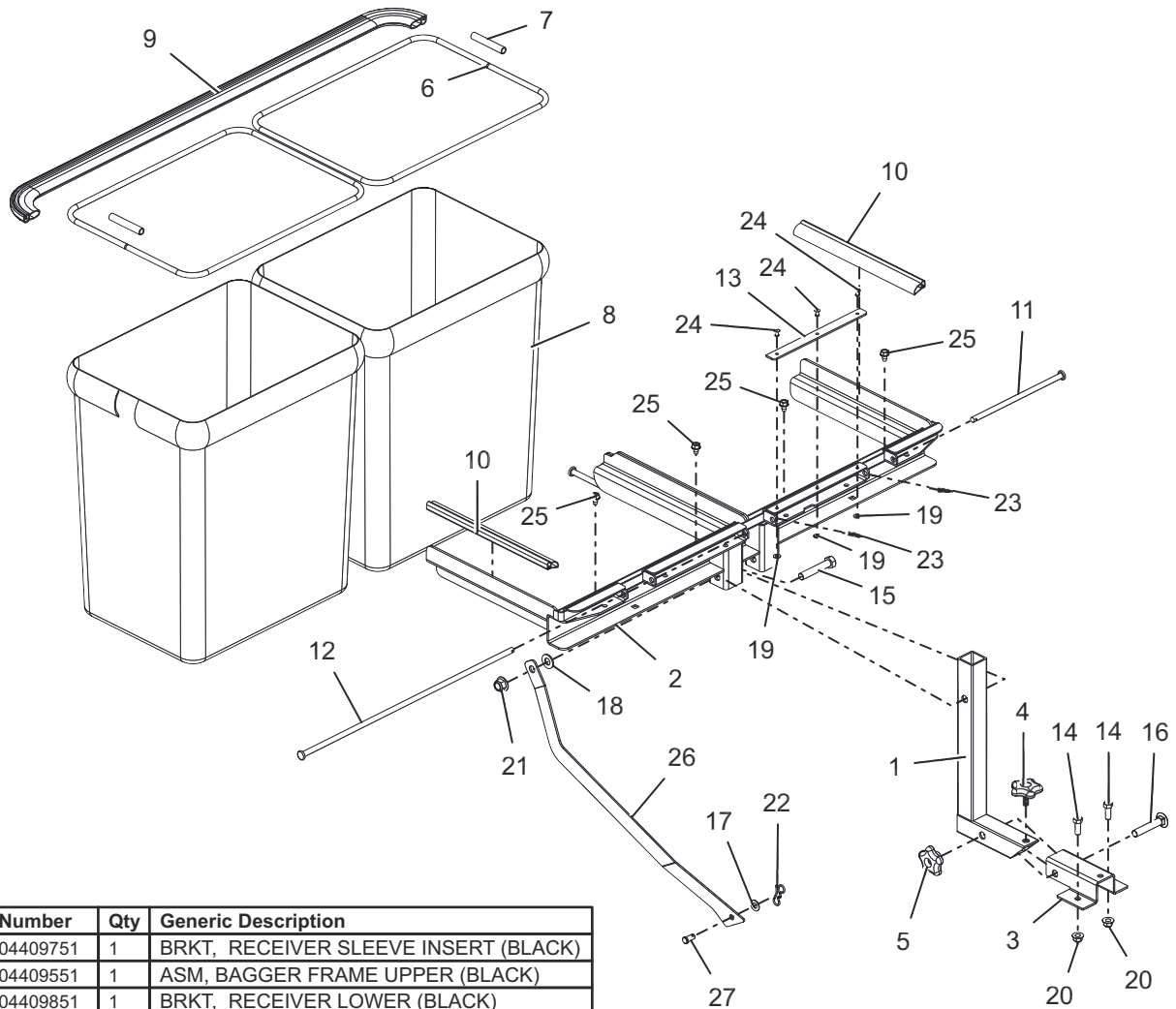


SERVICE PARTS:
 05173151-HOOD VENT-LH
 05173051-HOOD VENT-RH
 06803800-POP RIVET 3/16"X.52" (6)
 06800108-POP RIVET 3/16"X.68" (2)
 06401123-WSHR-FL (8)
 04410700-BULK BULB SEAL 3.2 FT.
 04439500-BULK SEAL 2.3 FT.
 04447800-NOZZLE
 09079500-RUBBER LATCH
 05901837-SCR.MACHINE 10-24X.75 (2)

BOM ID	Number	Qty	Generic Description
1	51577800	1	COVER, BAGGER HOOD ASM
2	05173151	1	VENT, BAGGER LH HOOD (BLACK)
3	05173051	1	VENT, BAGGER RH HOOD (BLACK)
4	04439751	1	WLDMT, TUBE SUPPORT (BLACK)
5	04446800	1	BOOT, UPPER
6	04409900	1	SEAL, UPPER BOOT
7	00168300	1	INDICATOR, FLOW
8	04439500	1	SEAL, BULB
9	05901825	8	SCR-MCH 10-24X.50 HWH ZCC
10	06401123	25	WSHR-FL-STL 0.219X0.5X0.049 ZCC
11	06500915	8	NUT, LK-NYL #10-24 GR5 ZC120
12	06700223	1	PIN, HAIR #225 .072X1.09
13	06803800	17	RVT-POP .187x.527 (#66) ZCC
14	06815300	1	PIN, CLEV .309X1.62 YWZC
15	07000026	1	LATCH, THUMB
16	05901837	2	SCR-MCH 10-24X.75 HWH ZCC
17	09079500	1	LATCH, RUBBER

BAGGER FRAME ASSEMBLY

Models All



BOM ID	Number	Qty	Generic Description
1	04409751	1	BRKT, RECEIVER SLEEVE INSERT (BLACK)
2	04409551	1	ASM, BAGGER FRAME UPPER (BLACK)
3	04409851	1	BRKT, RECEIVER LOWER (BLACK)
4	07500226	1	KNOB, WING STUDDED
5	07500225	1	KNOB, WING
6	00663200	2	FRAME, BAG
7	00677000	2	HOSE,
8	03862900	2	BAG, MESH /ZOOM
9	04410700	1	SEAL, BULB - BAGGER HOOD
10	04439500	2	SEAL, BULB - 1 FT.
11	04443400	1	PIN, BAGGER HINGE (L)
12	04443500	1	PIN, BAGGER HINGE (R)
13	04446700	1	SEAL, HINGE
14	05901711	2	BLT, HEX 0.375-16X1 GR5 ZC120
15	05901836	1	BLT, HEX 0.5-13X2.75 GR8 ZC120
16	06200327	1	BTL,RHSN .500-13 X 2.75 G5 ZCC
17	06401013	1	WSHR-FL-STL 0.406X0.812X0.065 ZC120
18	06401015	1	WSHR-FL-STL 0.531X1.062X0.095 ZC120
19	06401123	3	WSHR-FL-STL 0.219X0.5X0.049 ZCC
20	06500726	2	NUT, LK-NYL-FLG .38-16 GR5 ZC120
21	06500810	1	NUT, LK-NYL-FLG .50-13 GR5 ZC120
22	06700220	1	PIN, BOWTIE LOCKING .091X1.875 ZCC
23	06700223	2	PIN, HAIR #225 .072X1.09
24	06803800	3	RVT-POP .187x.527 (#66) ZCC
25	07400124	4	SCR-TAP .312-18X.50 HWH ZCC
26	09171251	1	BRKT, BAG FRAME SUPPORT BAR (BLACK)
27	06814800	1	PIN-CLEV .38X.75 YWZC



ARIENS

Ariens Company

655 West Ryan Street
Brillion, WI 54110

ariensco.com



ARIENS | CO