

ASSEMBLY INSTRUCTIONS

Bathroom Vanity

EEl-7591 / V0.30.10.2025

modway



Questions? Contact us!
609.256.9000
cs@modway.com

Welcome.

Let's get started.

Before you begin, here are some things to keep in mind:

Assembly will take most people **about 30 minutes**. Consider having a friend help you!

Only use hand tools to assemble this item. Do not use power tools. Do not tighten bolts or screws completely until all hardware is lined up and inserted into the holes.

Read through all of the instructions before starting. Make sure you have all parts and components before discarding any packing materials.

Do not over-tighten screws and bolts to avoid stripping the hardware or cracking the item.

For vanity and plumbing installation, we suggest hiring a professional contractor and plumber.

Assemble your item on a flat, carpeted area, with plenty of space to work. This will prevent damage and scratches to your floors or the item while you're assembling the product.

Keep all components and packaging out of reach of children or animals to avoid risk of choking or suffocation.








Care instructions are listed in the last step of this manual.

WAIT!

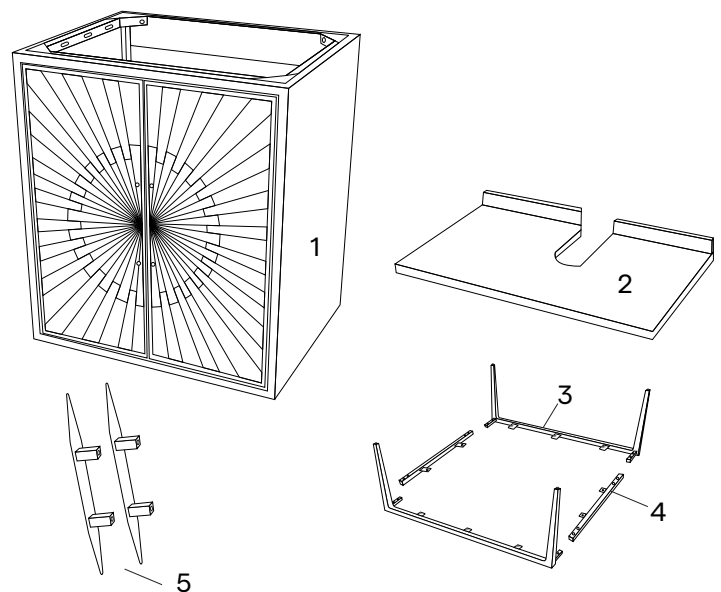
Missing parts or hardware? Need assistance?
Contact us before returning your item.
We're here to help!



HARDWARE INCLUDED IN THE BOX:

A		Allen Key 4 mm	x1
B		Allen Bolt M6x15 mm	x10
C		Allen Bolt M6x10 mm	x8
D		Flat Washer Ø16x2 mm	x14
E		Shelf Pin 5 mm	x4
F		Allen Bolt M6x40 mm	x4
G		Leveler (Pre Assembled)	x4

FURNITURE COMPONENTS:

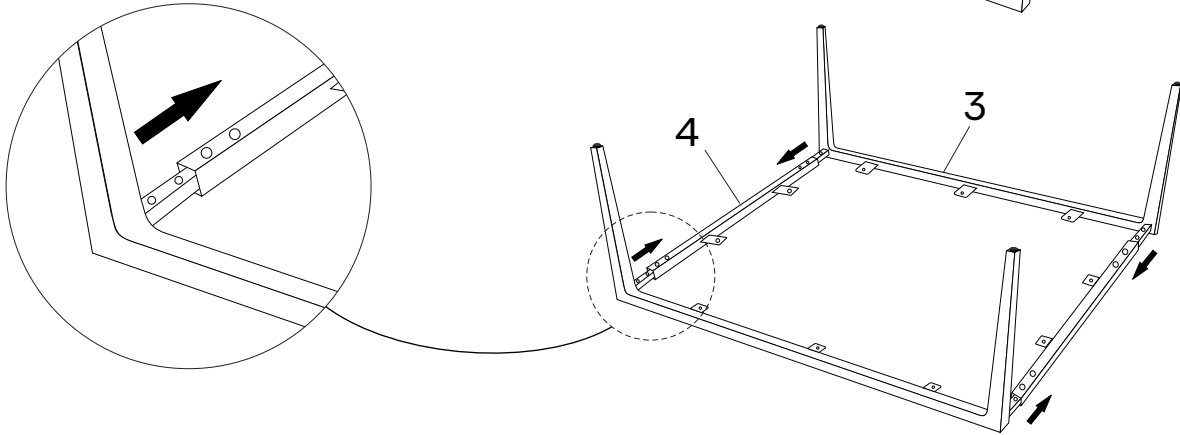


1	Cabinet	x1
2	Wooden Shelf	x1
3	Metal Legs	x2
4	Metal Pipe	x2
5	Metal Handle	x2

COMPONENTS

- | | | |
|----------|-------------------|-----------|
| 3 | Metal Legs | x2 |
| 4 | Metal Pipe | x2 |

1.1 Insert **Metal Leg (3)** to the **Metal Pipe (4)**.
Position as shown in the figure.



STEP 02

HARDWARE

- | | | |
|----------|------------------------------|-----------|
| C | Allen Bolt M6 x 10 mm | x8 |
|----------|------------------------------|-----------|

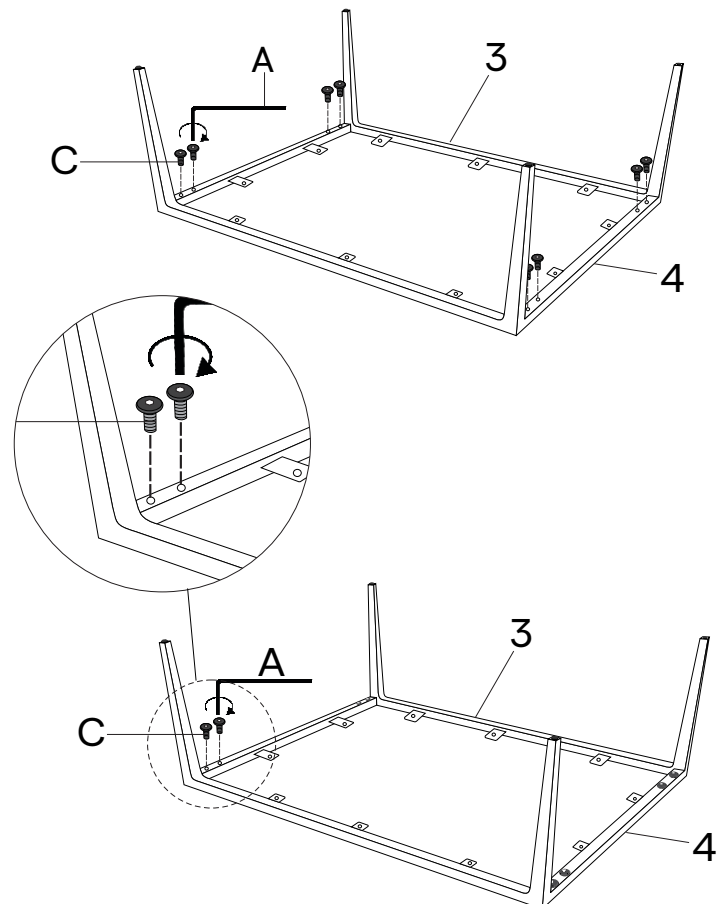
COMPONENTS

- | | | |
|----------|-------------------|-----------|
| 3 | Metal Legs | x2 |
| 4 | Metal Pipe | x2 |

TOOLS

- | | | |
|----------|-----------------------|-----------|
| A | Allen key 4 mm | x1 |
|----------|-----------------------|-----------|

2.1 Secure leg assembly using **Allen Bolt (C)**
and tighten using **Allen key (A)**.



HARDWARE

B Allen Bolt M6 x 15mm x10

D Flat Washer Ø16 x 2mm x10

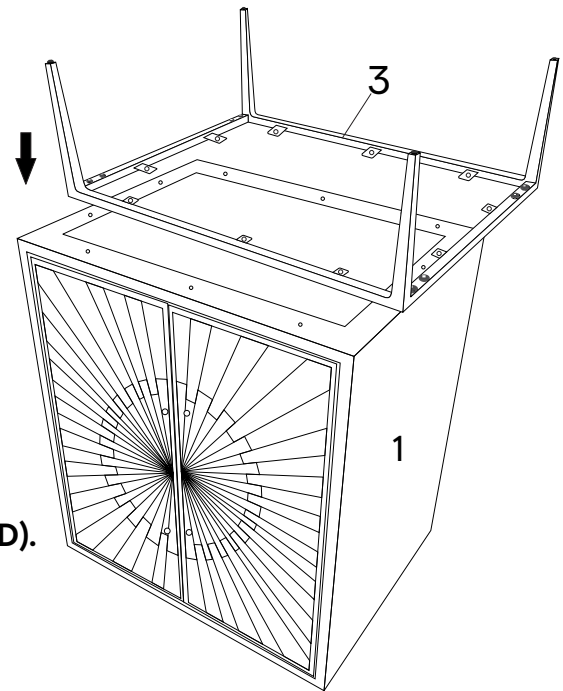
COMPONENTS

1 Cabinet x1

3 Metal Part (Assembled) x1

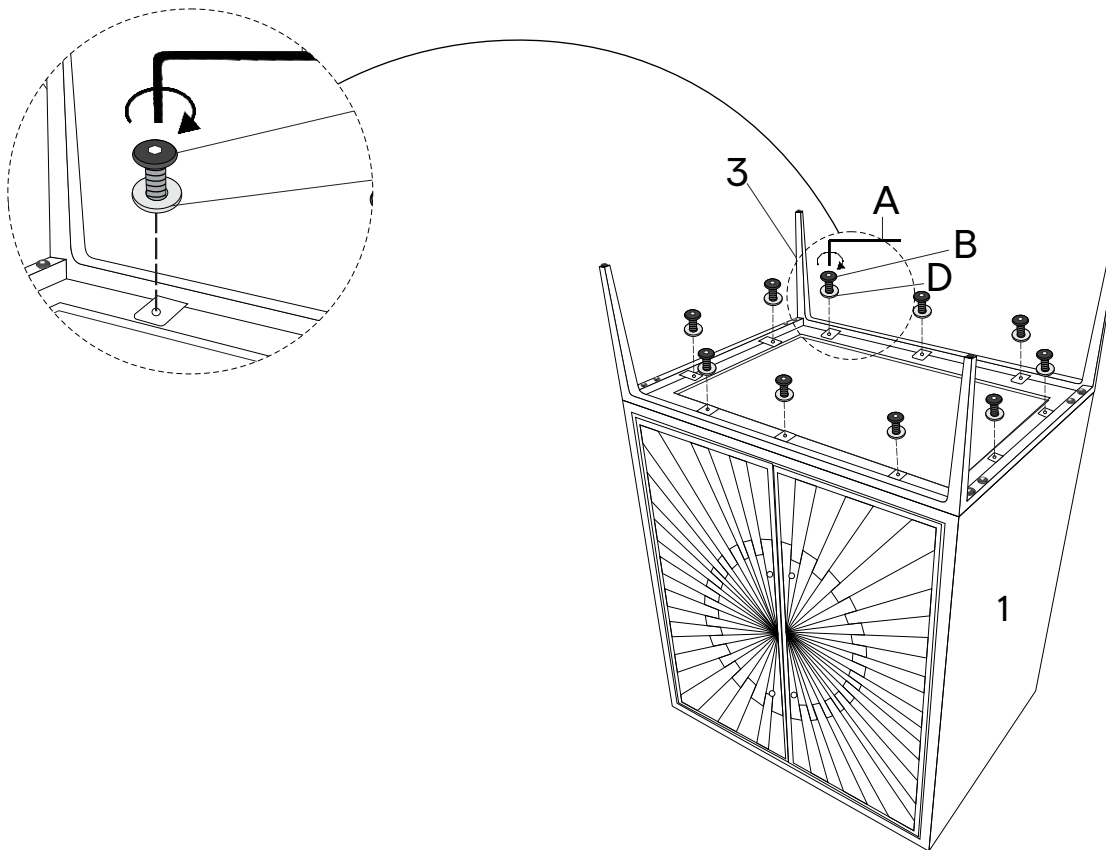
TOOLS

A Allen key 4 mm x1



3.1 Align the Metal frame into the bottom of the vanity Cabinet and secure with **Allen Bolt (B)** and **Flat Washer (D)**.

3.2 Tighten connection using **Allen Key (A)**.



HARDWARE

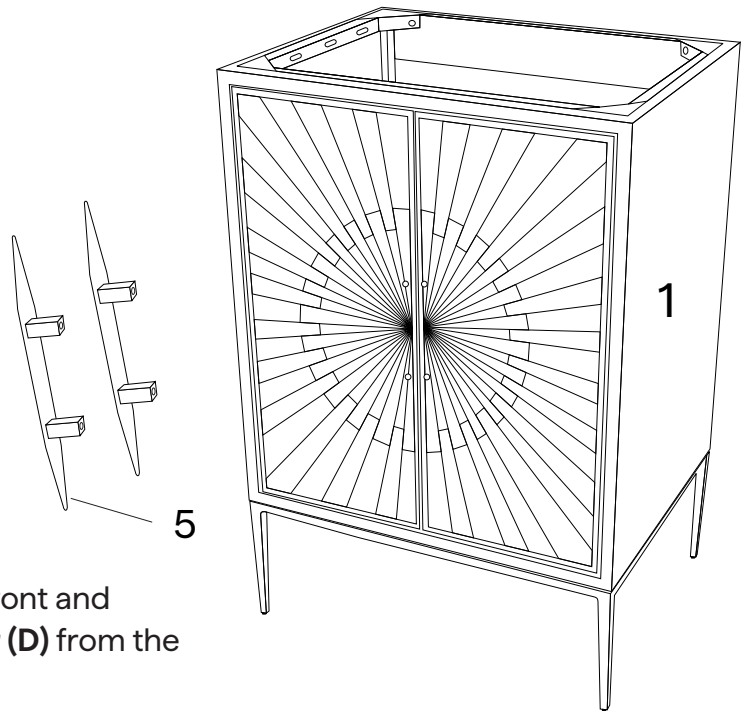
- F** Allen Bolt M6 x 40mm x4
D Flat Washer Ø16 x 2mm x4

COMPONENTS

- 1** Cabinet x1
5 Metal Handle x2

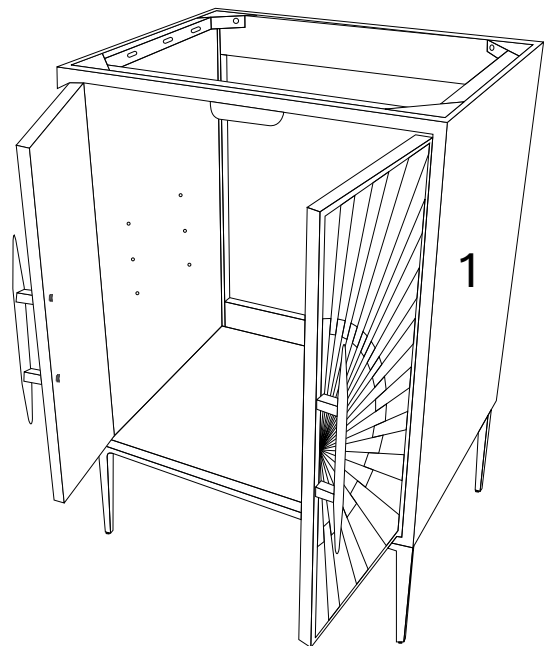
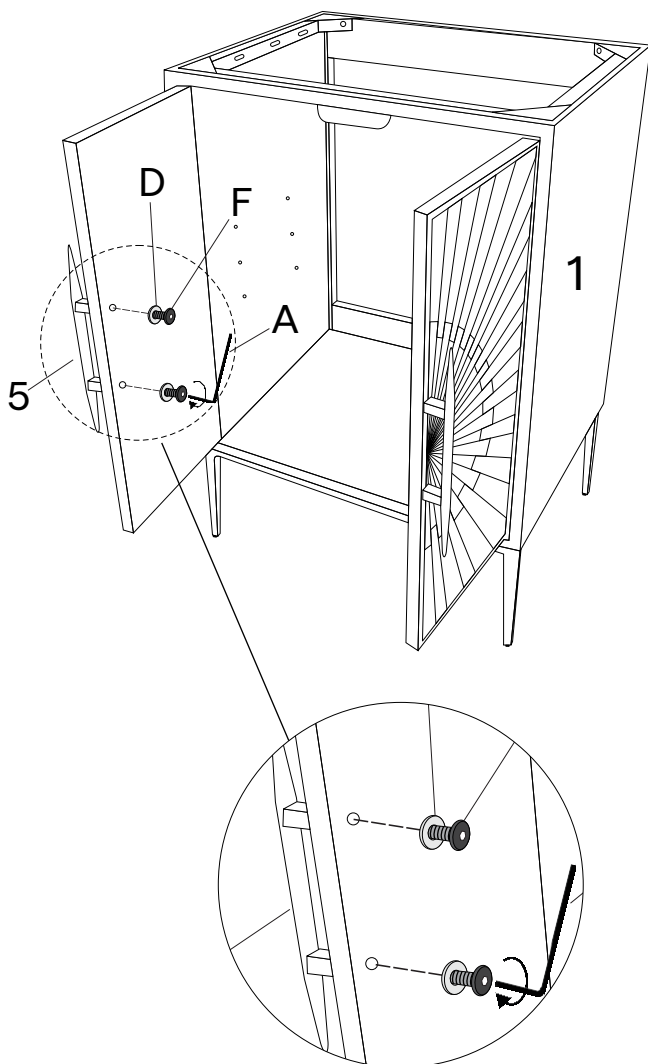
TOOLS

- A** Allen key 4 mm x1



4.1 Align the **Metal Handle (5)** to the door front and secure using **Allen Bolt (F)** and **Flat Washer (D)** from the inside. Repeat same step for other handle.

4.2 Secure connection using **Allen Key (A)**.



HARDWARE

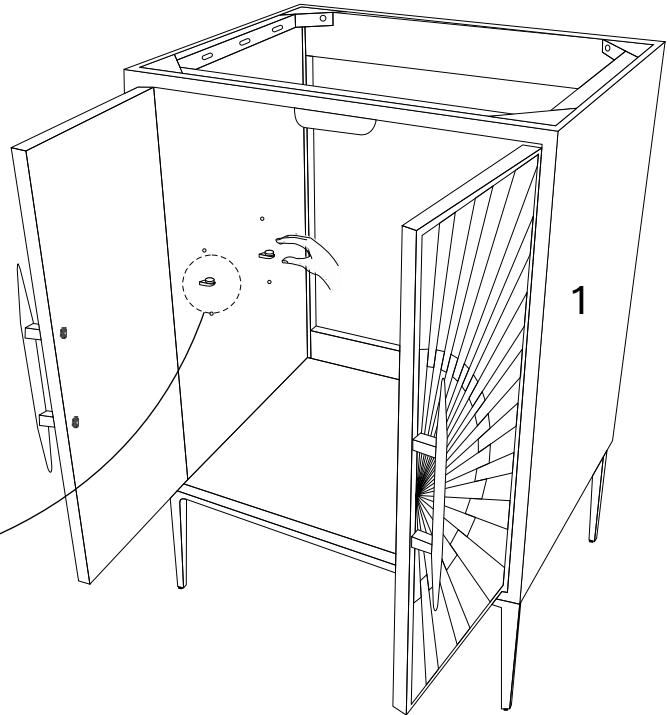
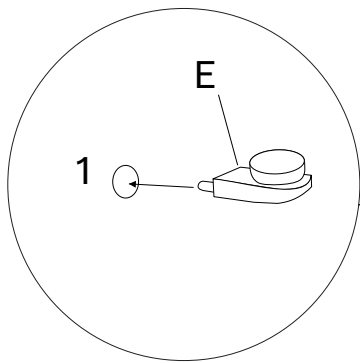
E Shelf Pin 5mm x4

COMPONENTS

1 Cabinet x1

5.1 Use **Shelf Pin (E)**.

5.2 Open the door and attach the **Shelf Pin (E)** on both side wall on pre-drill holes as illustrated.



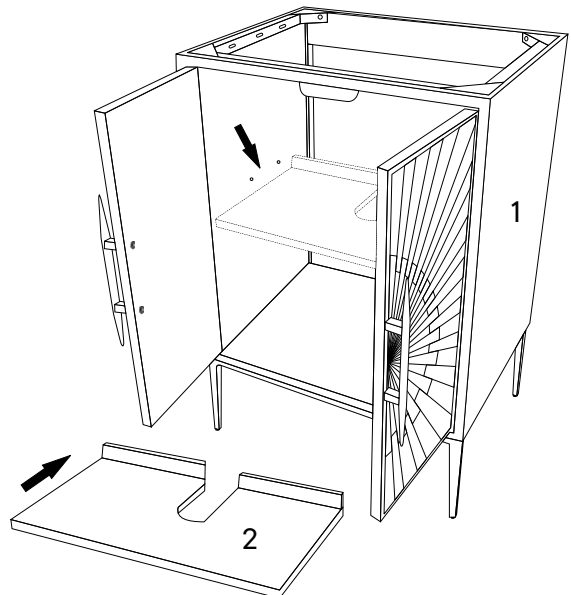
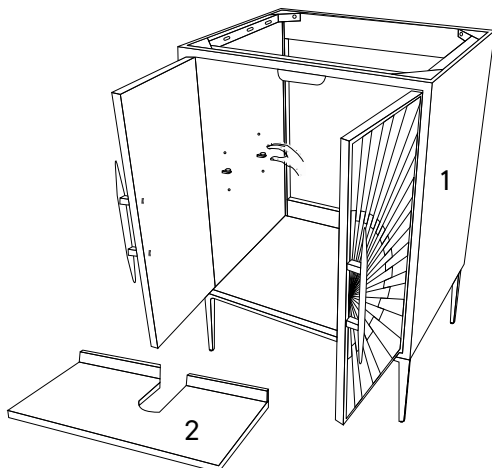
STEP 06

COMPONENTS

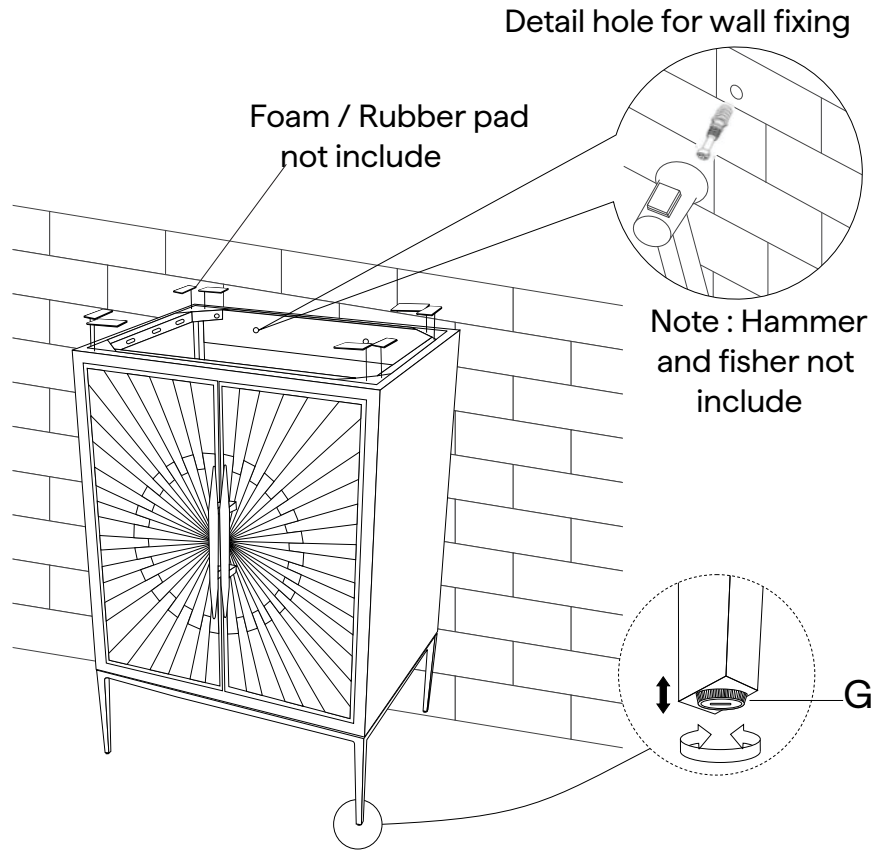
1 Cabinet x1

2 Wooden Shelf x1

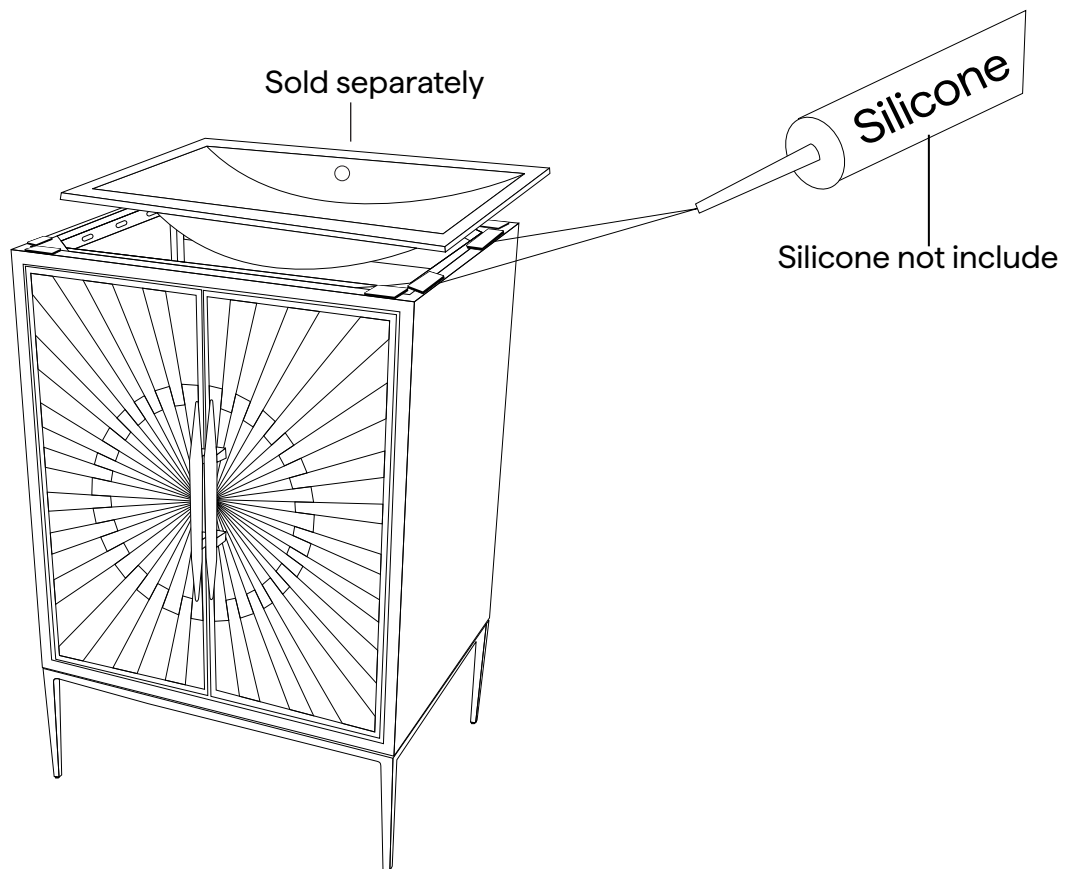
6.1 Gently insert & place the **Wooden Shelf (2)** over the **Shelf Pin (E)**.



Attachment of Furniture : This furniture may represent a danger for your security if it's attachment on the wall has been done in an incorrect way. This attachment must be done by a person with great expertise who will make sure adequacy between the device of fixing and the wall. Please source the right fitting according to the wall type. For your safety, it is imperative to fix your furniture to the wall



STEP 08



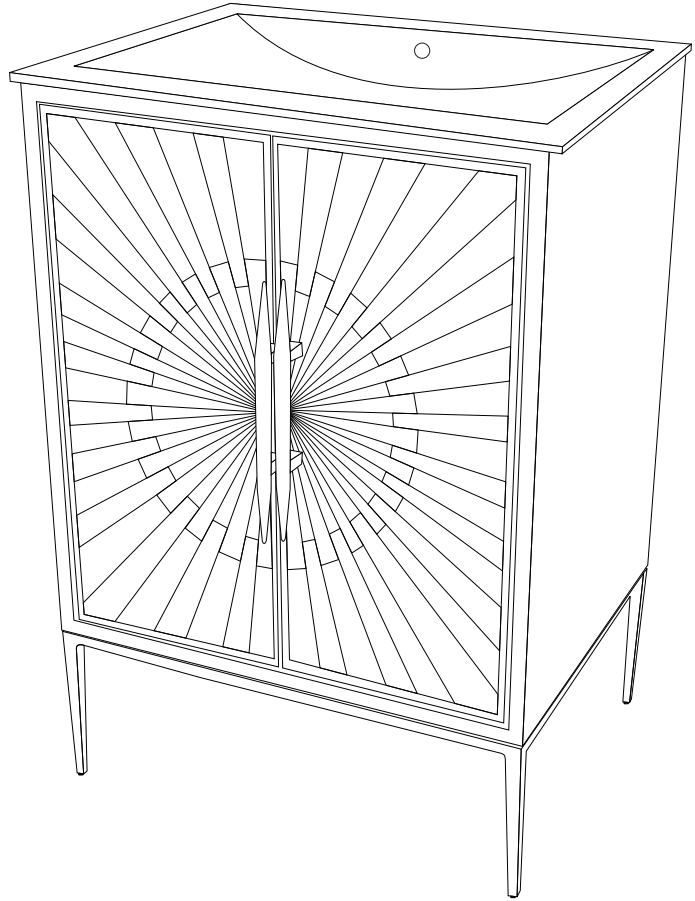
Apply a thin bead of silicone compound around the vanity base and set the vanity top carefully in place. Remove any access silicone compound with a wet rag.

Great job!

Your new cabinet is complete.

CARING FOR YOUR ITEM

- Indoor use only.
- Not contract grade.
- Clean using a non-abrasive cloth and a mild cleaner.
- Never use harsh chemicals, as they could damage the finish or integrity of the item.



CONNECT WITH US!

Tag us @modway_furniture and #modway
for a chance to be featured.

modway



Questions? Contact us!
609.256.9000
cs@modway.com