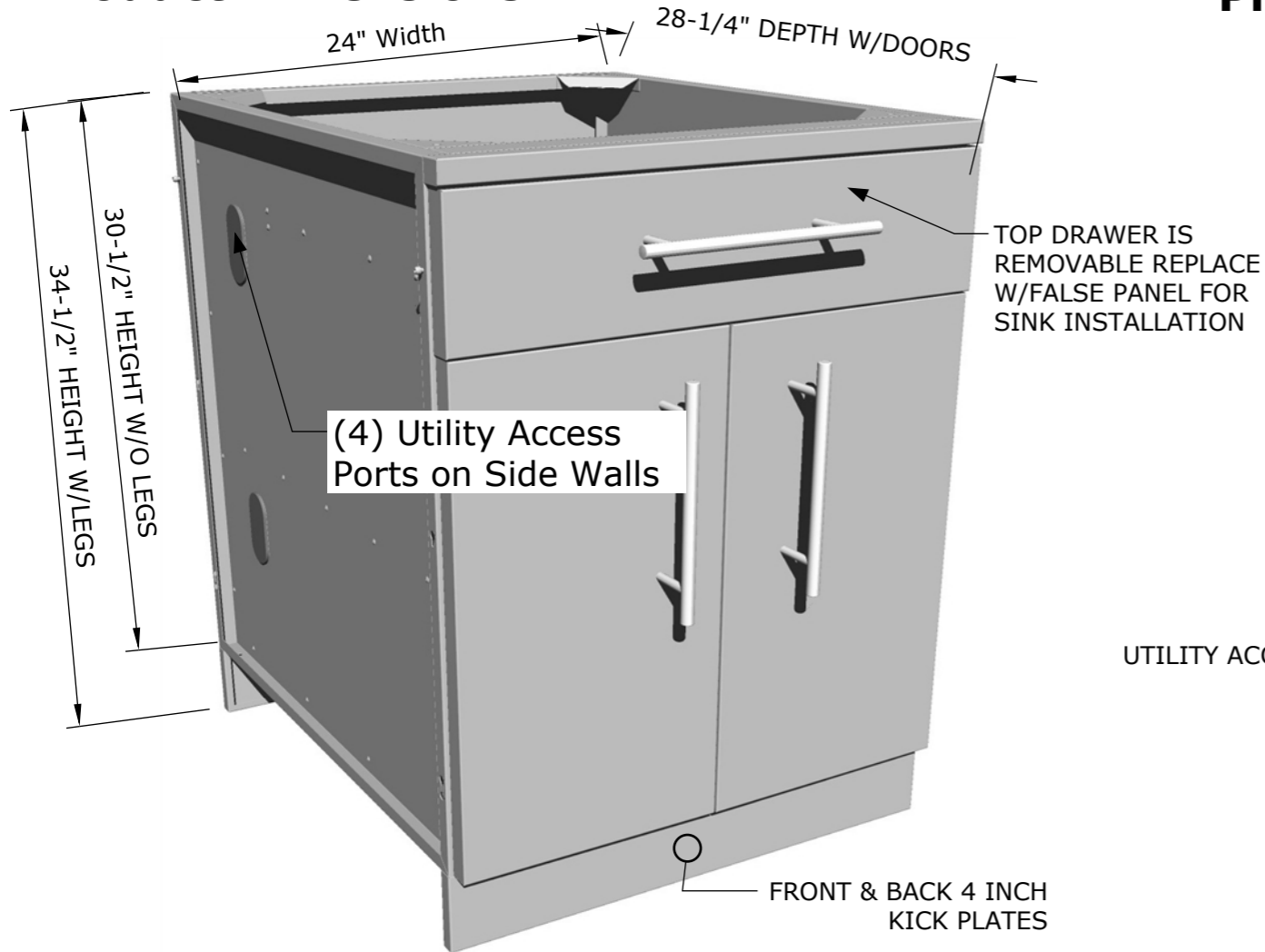
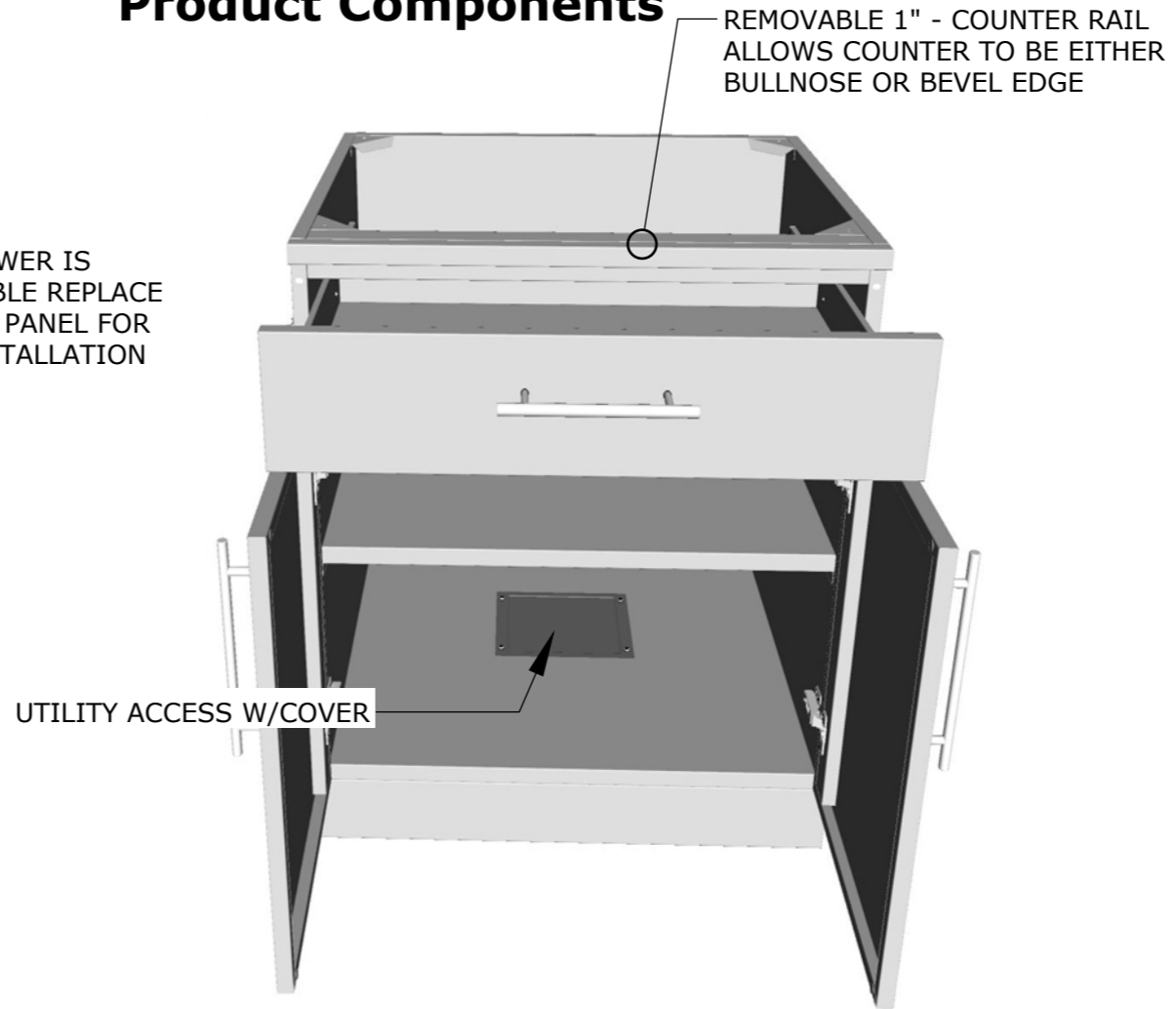


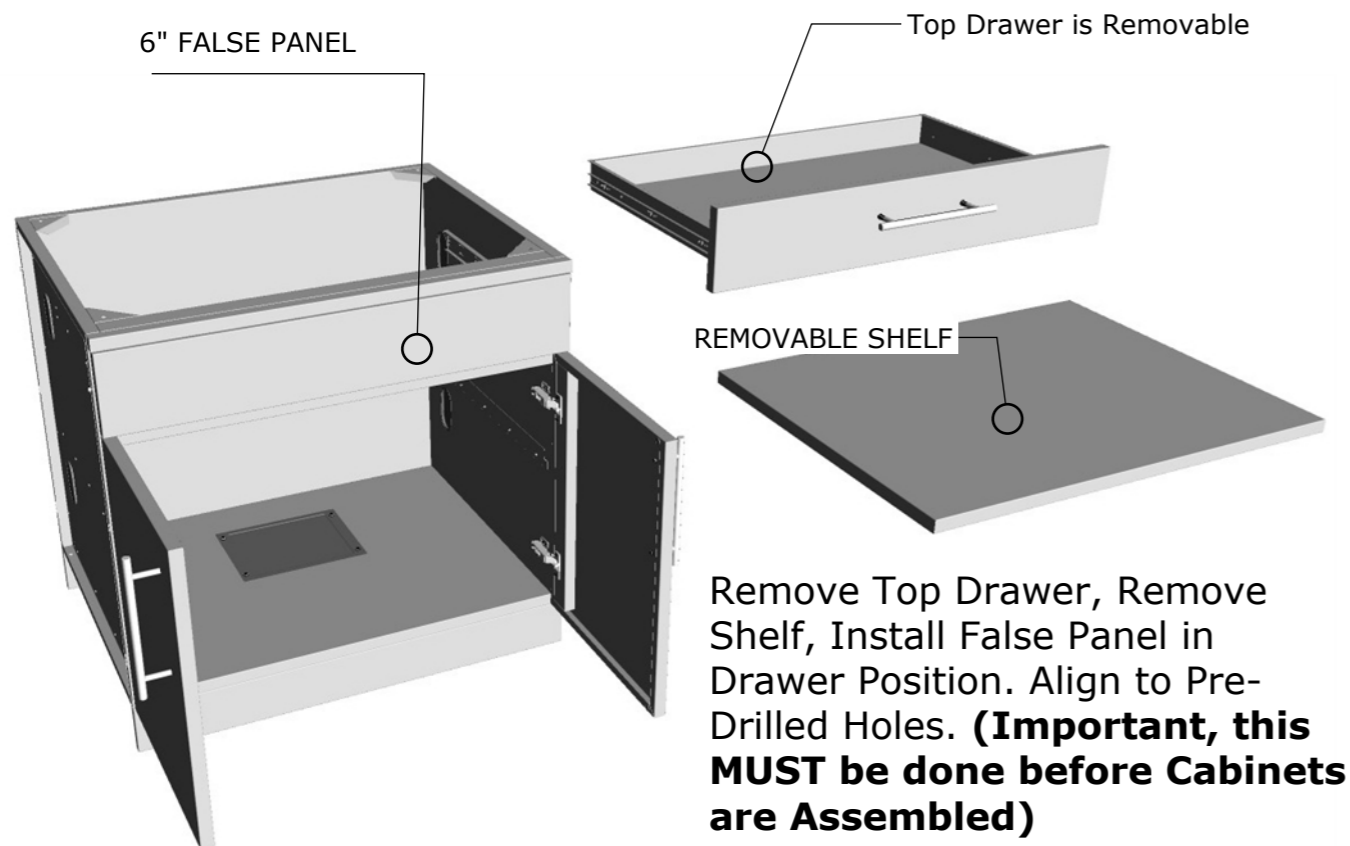
## Product Dimensions



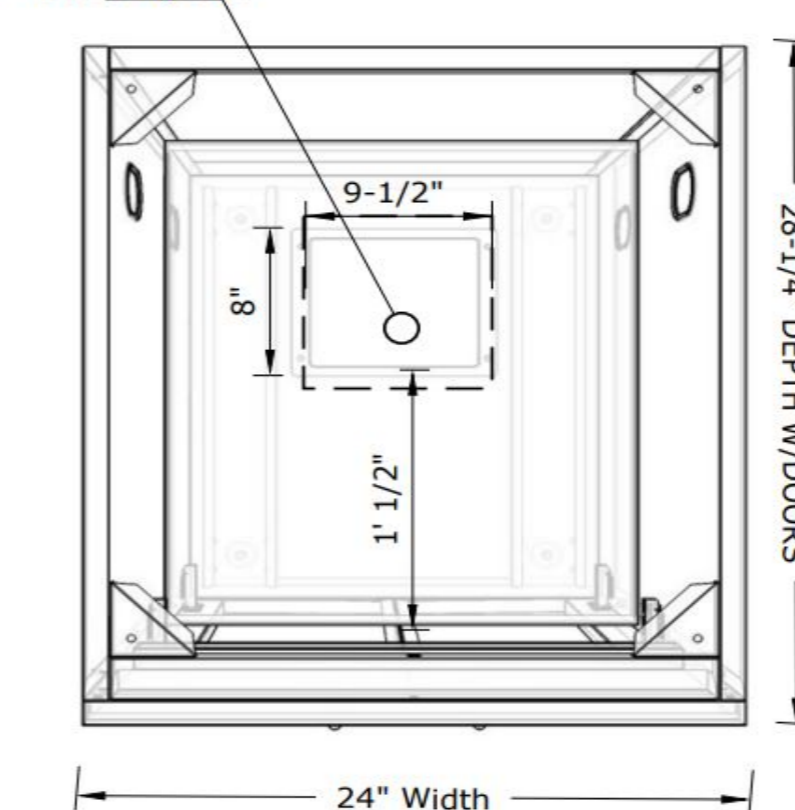
## Product Components



## Cabinet Conversion for Drop-In Appliance



## TOP VIEW



# SUNSTONE®

**SUNSTONE METAL PRODUCTS**  
 16004 CENTRAL COMMERCE DR.  
 PFLUGERVILLE, TEXAS 78660  
 Tel: 888.934.9449

### PRODUCT

24" Double Door Cabinet w/Shelf, Drawer & False Top Panel Option  
**Item No. SBC24CDD**

### DESCRIPTION

24" Double Door Cabinet with Top Drawer/Shelf & optional False Panel

- Lifetime Structure Warranty
- 304 Stainless Steel Structure
- 304 SS Rod Handles
- Front & Back Kick-Plates
- Easy Pin-Lock Installation
- Soft-Close Drawer Tracks
- Covered Access Ports
- Adjustable Peg-Legs
- Optional Wheel Casters

### INCLUDED COMPONENTS

- Front Kick Plates
- Back Solid Kick Plate
- (4) Adjustable Peg Legs
- Center Shelf

### PRODUCT DIMENSIONS

24"W x 28-1/4"D (w/Doors) x 34-1/2"H (w/Legs) or 30-1/2"H (no Legs) or Upto 36" Max Adjustable Height

### INSERT DIMENSIONS

22"Width x 18"Depth

### INSERTABLE PRODUCTS

Side Burner - SUN13SSB  
 Premium Sink - B-PS21  
 Standard Sink - A-SS17  
 Ice Chest - B-IC14

### MATERIAL SPECS

304 Stainless Steel entire structure, 18 Gauge for Door Panel, 18 Gauge for Cabinet Box, 18 Gauge for Shelf, Handles are made of Solid 304 Stainless Steel Bar.