



# SENECA IV

## 60" x 42" Skirted Drain Side Acrylic Air Bath

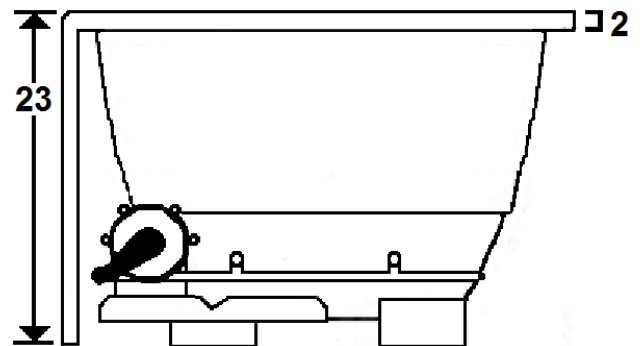
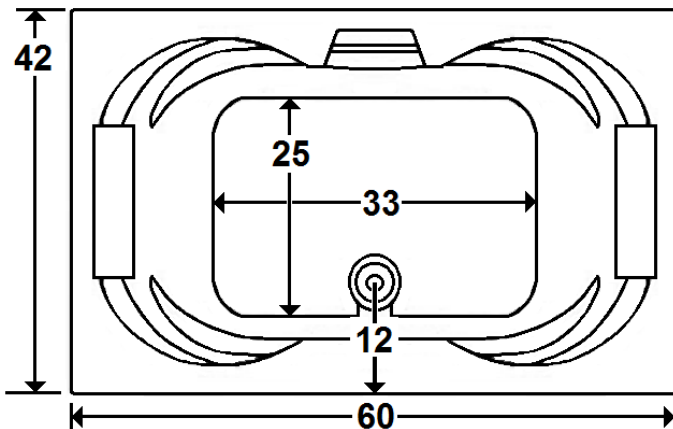
Model Number  
**4260STASD064**  
Skirted Air Bath in White

### Features

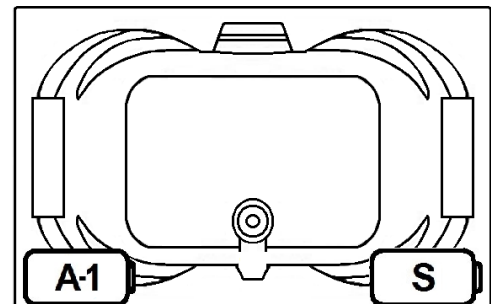
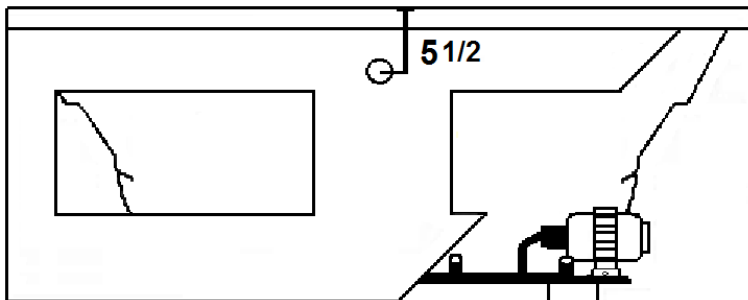
- 24 high output later air jets
- Color-matched trim
- 12.0 Amp variable speed blower
- Pillows included
- Constructed of high-gloss durable acrylic
- Automatic purge cycle with timer
- Heaters available – LM305
- Mood light available – LM522
- Pre-leveled base for easy installation
- Made in the USA



**\*All dimensions are +/- 1/2" and subject to change without notice\***  
**Confirm specifications before installation**



Standard (S) Pump Location and Alternate (A-1) Pump locations.



### Technical Information

- Weight: 245 lbs.
- Water Depth to Overflow: 16 3/4"
- Water Operating Level: NA
- Water Capacity: 90 gal.
- Sump Dimension: 38" x 25"

### Electrical Requirements.

- Standard Blower: 12.0 Amps
- (Optional) LM305 Heater: 12.5 Amps
- Dedicated GFCI's required for each option

# SENECA IV

4260STASD064

Skirted Air Bath in White

## Air Bath

Thousands of warm air bubbles provide an invigorating and yet relaxing, light, full body massage. The warm air movement increases blood circulation, soothes muscles and produces a feeling of well-being.

Laurel Mountain enables you to enhance your bathing experience by offering a broad range of options to customize your bath. The options available on this bath are shown below.

## AVAILABLE OPTIONS & UPGRADES

For Pricing, visit the “Help” page at [www.laurelmountainwhirlpools.com](http://www.laurelmountainwhirlpools.com). Download the Price book. For pictures and descriptions of options, go to [www.laurelmountainwhirlpools.com](http://www.laurelmountainwhirlpools.com) and click “options” tab found at the bottom of the website.

### Therapeutic

LM305 12.5 Amp Water Heater (120V)

LM522 Chromatherapy Mood Light

### Accessories

#### DEEP SOAK DRAINS

LM200 Chrome

LM210 White

LM201 Brushed Nickel

LM211 Biscuit

LM202 Bronze

### Design / Construction

LM549 Tile Flange (non-drain side)

LM545 A-1 Pump Location

LM542 Plastic Flange

## INSTALLATION

Install this unit according to the Owner’s Manual. The Owner’s manual can be found by visiting the “Help” page at [www.laurelmountainwhirlpools.com](http://www.laurelmountainwhirlpools.com). Under “Relevant Links” on the left side of the page, click “Owner’s Manual”. Then click “Colony Owner’s Manual”.