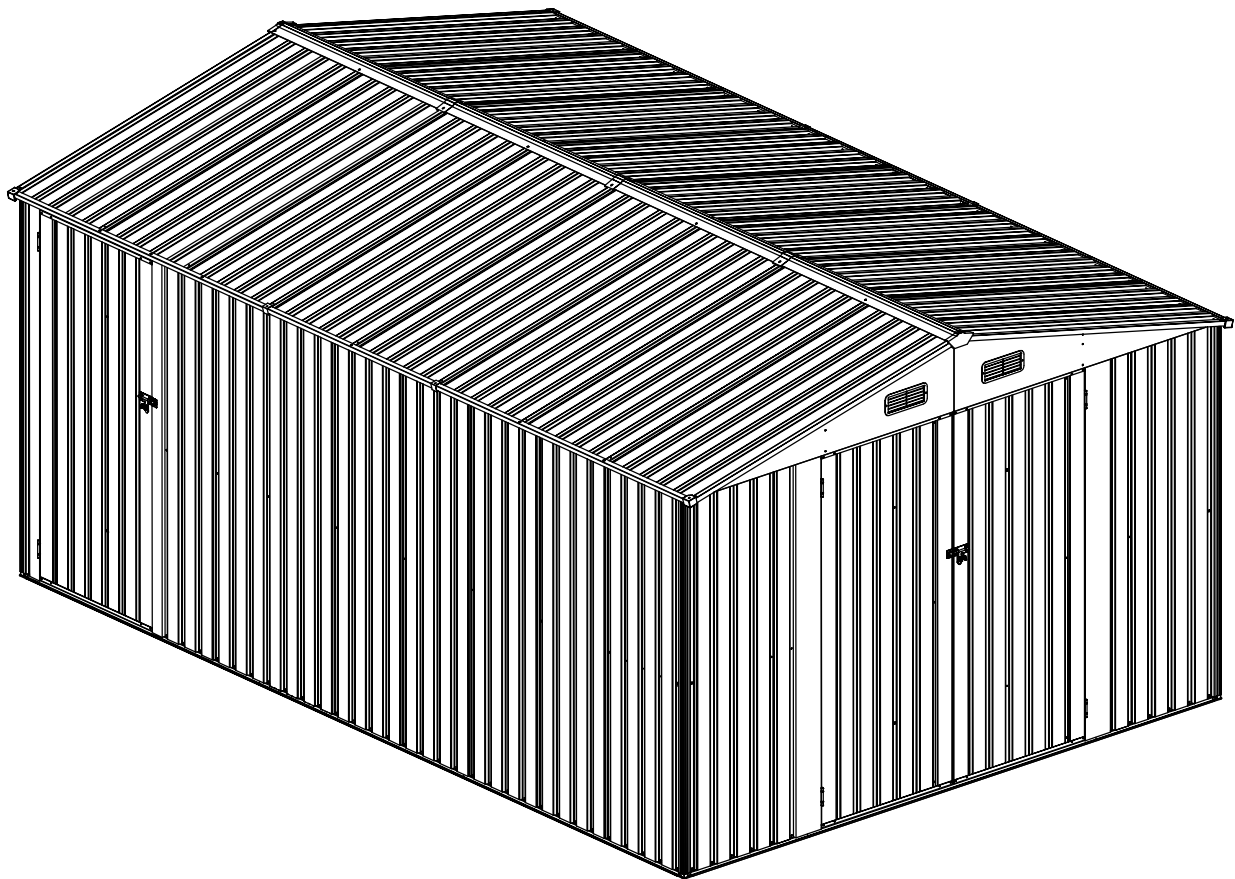



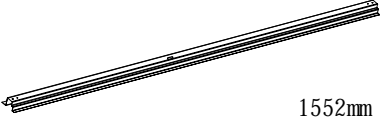



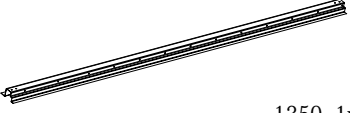

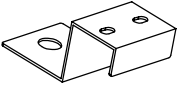
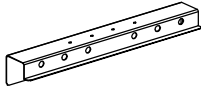


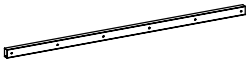


METAL GARDEN SHED

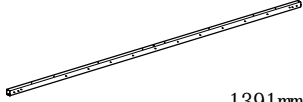

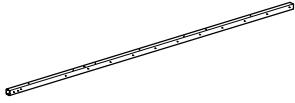
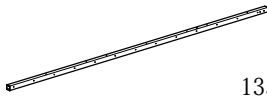
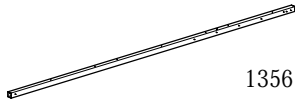
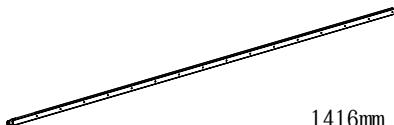
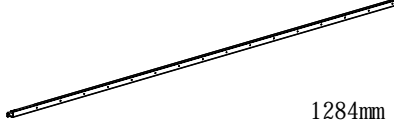
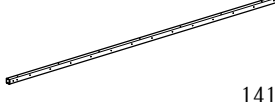
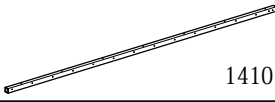
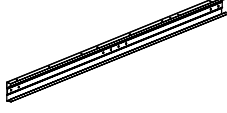
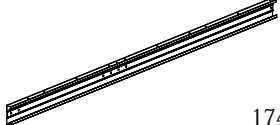

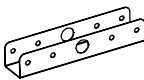
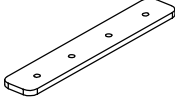
10X14FT



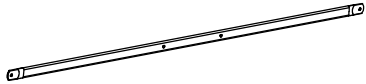
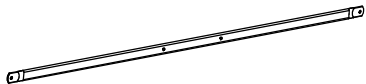
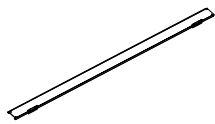
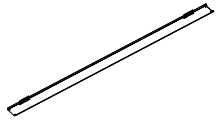
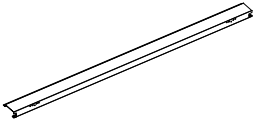
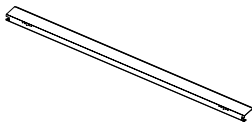
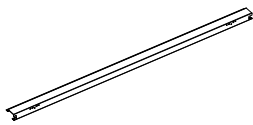
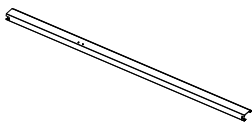
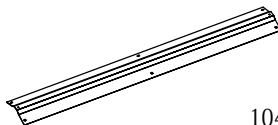
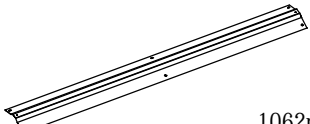
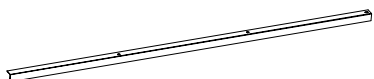
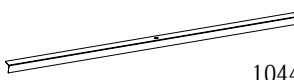
Instructions for Assembly

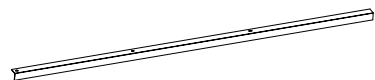
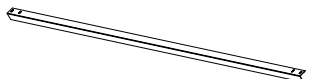


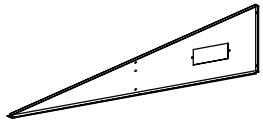
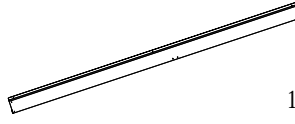
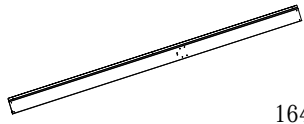
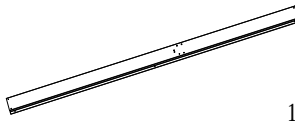
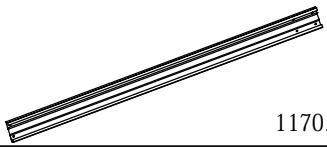

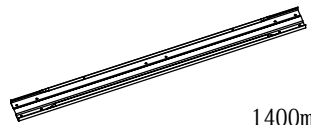
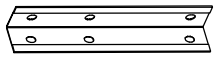





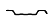

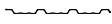


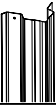
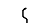
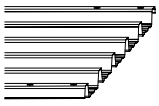

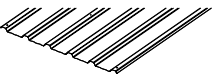
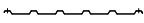
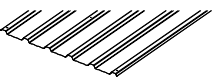
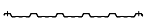
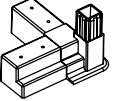
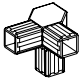

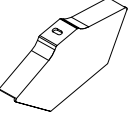
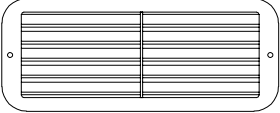

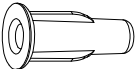
This set comes in 3 boxes. If you do not receive a full set of 3 boxes, please contact our customer service.


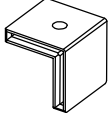
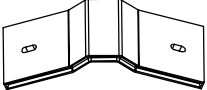
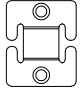
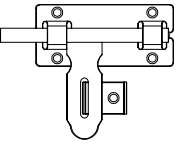
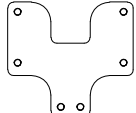
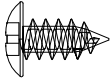
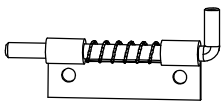
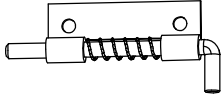
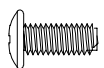


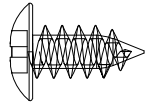

NO.	PART.	Qty.
1L	 627.6mm	1
1	 1552mm	1
1R	 627.6mm	1
2	 1284mm	2
3	 1457.1mm	1
3L	 1350.1mm	3
3R	 1457.1mm	2
4		7
4B	 200mm	7
5	 1610mm	4
6	 1605mm	1
6A	 555mm	2
6L	 607.7mm	1
6R	 607.7mm	1

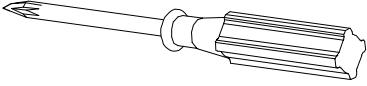
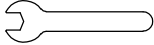
NO.	PART.	Qty.
7	 1391mm	2
7A	 1630mm	2
7F	 1356.7mm	2
7B	 1356.7mm	1
8	 1356.7mm	1
8A	 1416mm	4
8B	 1284mm	1
8L	 1410.2mm	1
8R	 1410.2mm	1
9	 1410mm	2
9F	 1743mm	2
9B	 1038mm	2
10	 100mm	7
11	 180mm	4

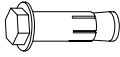
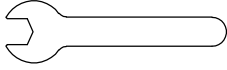
NO.	PART.	Qty.
11L	 320mm	2
11R	 320mm	2
15	 980.7mm	4
15A	 976.6mm	2
16	 1652mm	2
16X	 1642mm	1
17L	 1660mm	1
17R	 1660mm	1
18L	 1660mm	1
18R	 1660mm	1
18F	 1044mm	2
18B	 1062mm	2
19L	 1592mm	2
19	 1044mm	2







NO.	PART.	Qty.
19R	 1592mm	2
20	 1491.5mm	4
21	 705mm	6
21L	 2	2
21R	 2	2
22	 1652mm	1
22X	 1642mm	1
23	 1652mm	1
24	 1170.5mm	4
25	 1820.5mm	4
26	 1400mm	4
27	 165mm	4
38	 745.7mm	6
38A	 721.7mm	6

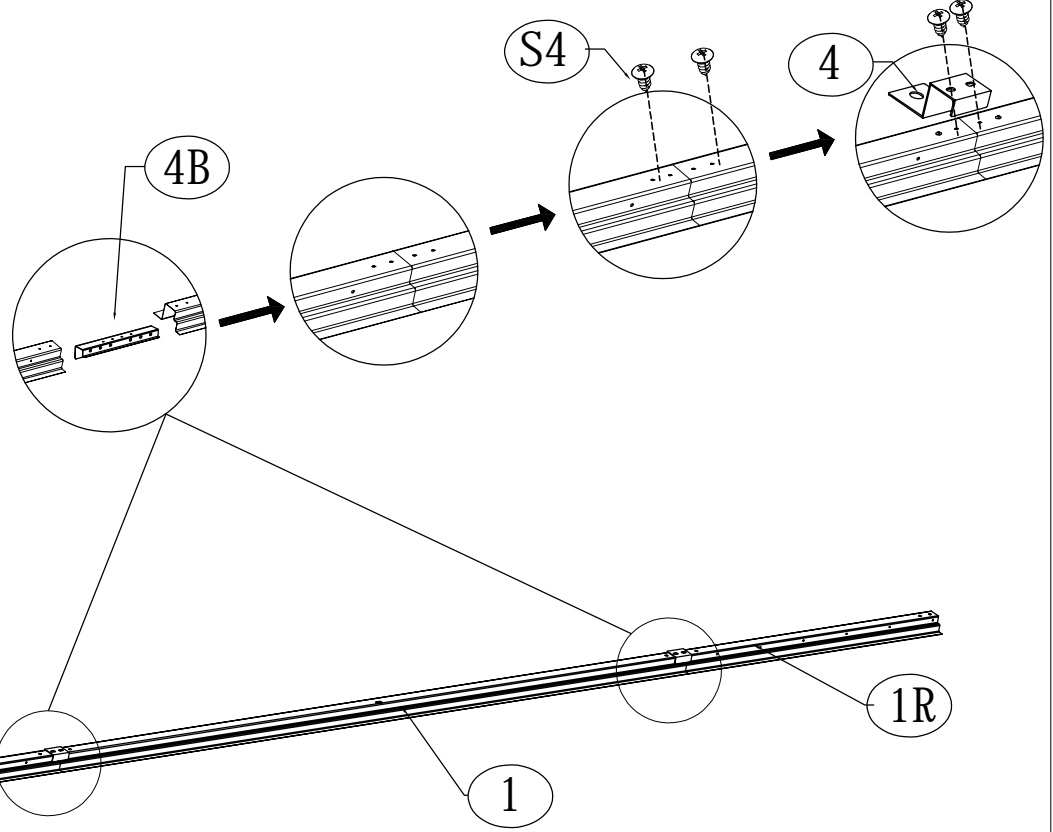
NO.	PART.	Qty.
W1	  1660mm	2
W3	  1660mm	6
W5	  1660mm	21
W7	  1660mm	4
W15	  1483.5mm	16
M1	  1650mm	2
M2	  1640mm	1
C		4
F		4
F4		4
F5		2
F6		4
F7		170
F8		84



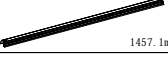



NO.	PART.	Qty.
F9		2
F10		4
F18		3
S1		2
S2		2
S3		2
S4		621
S5L		1
S5R		1
S6		124
S6A		15
S7		111
S8		14
S9		4

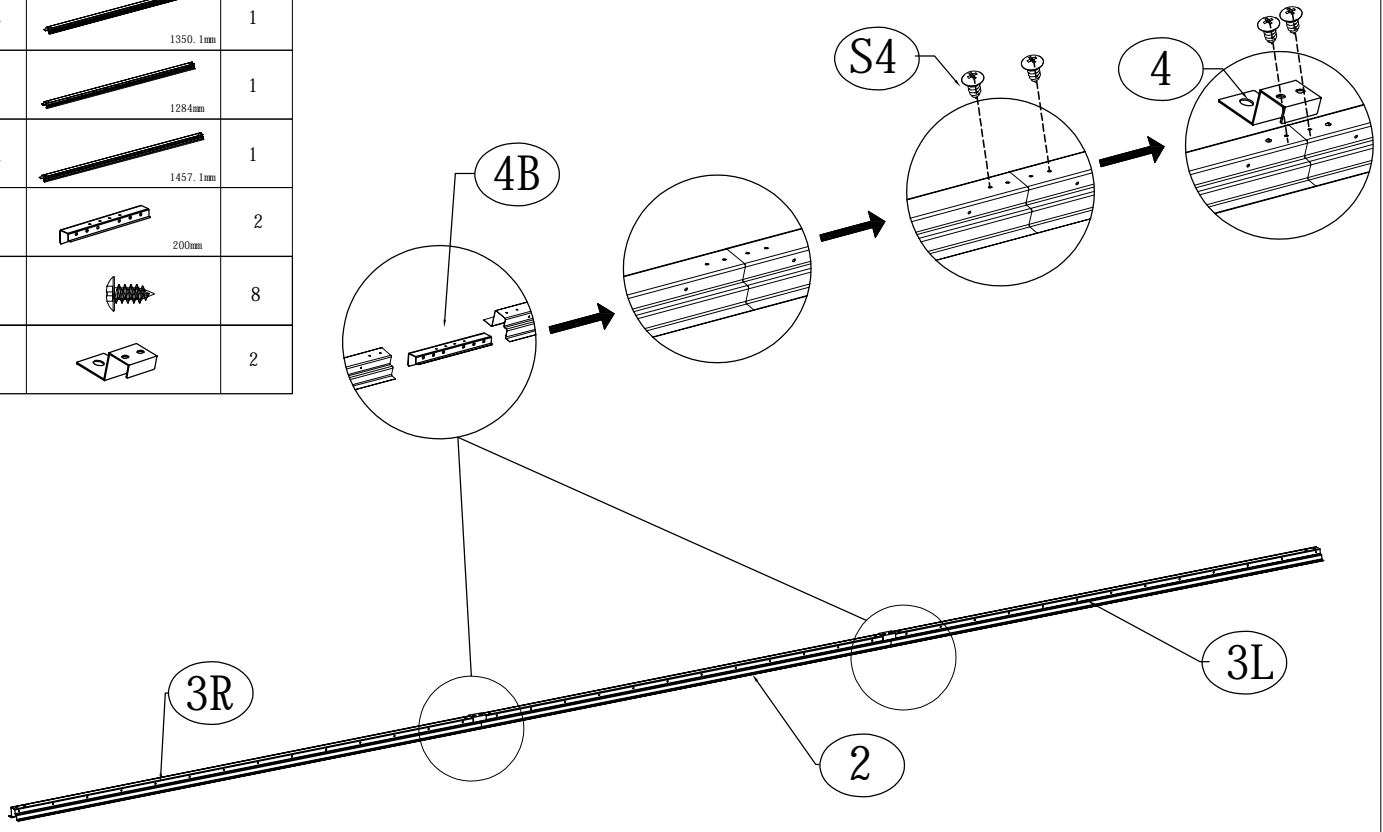
NO.	PART.	Qty.
S12		1
S15		1




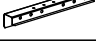


NO.	PART.	Qty.
S34	 M6X50mm	7
S35		1

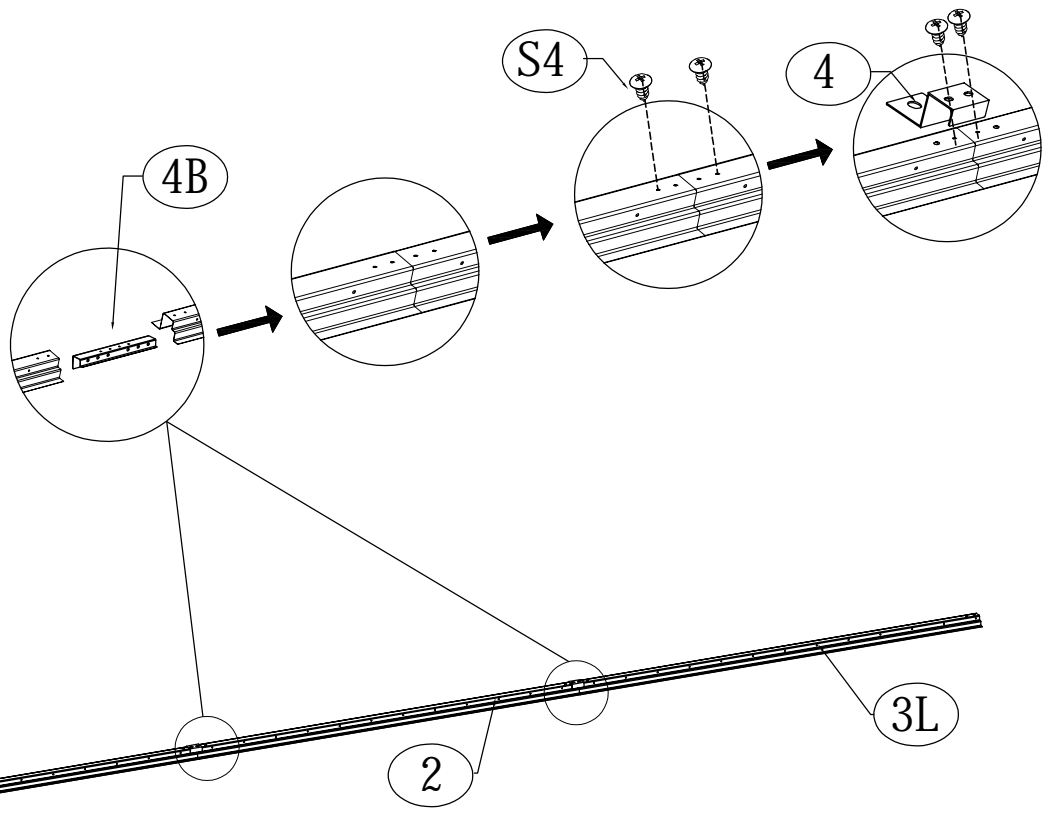
NO.	PART.	Qty.
1L	 627.6mm	1
1	 1552mm	1
1R	 627.6mm	1
4B	 200mm	2
S4		8
4		2








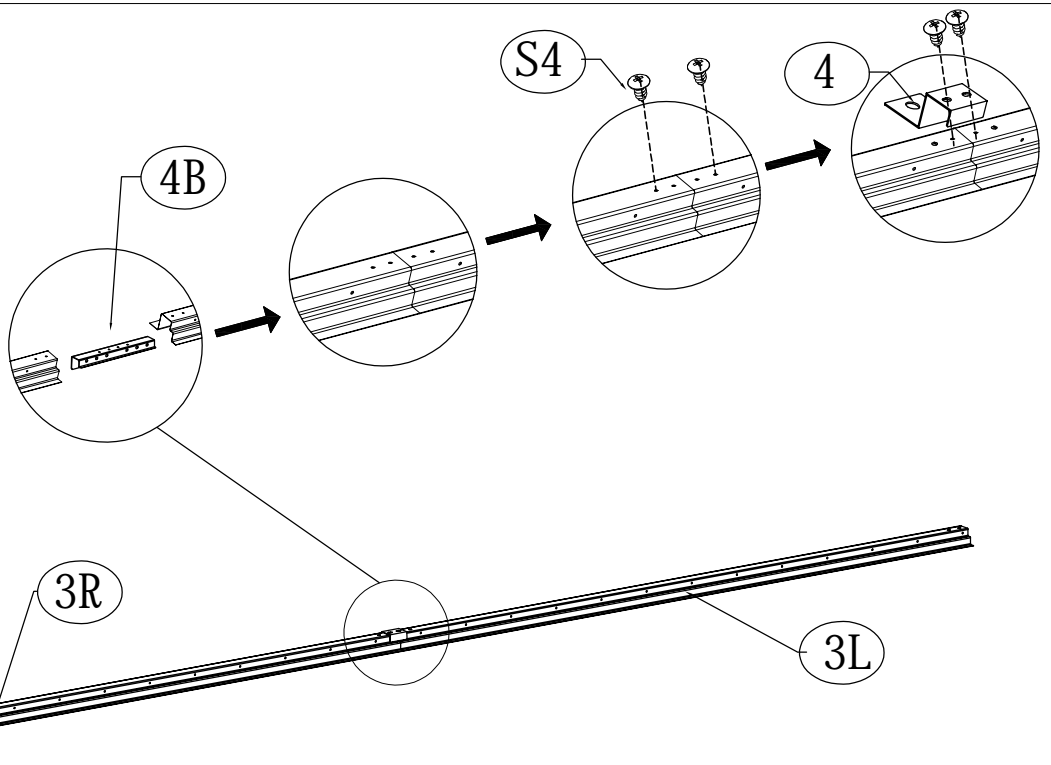
NO.	PART.	Qty.
3L	 1350.1mm	1
2	 1284mm	1
3R	 1457.1mm	1
4B	 200mm	2
S4		8
4		2





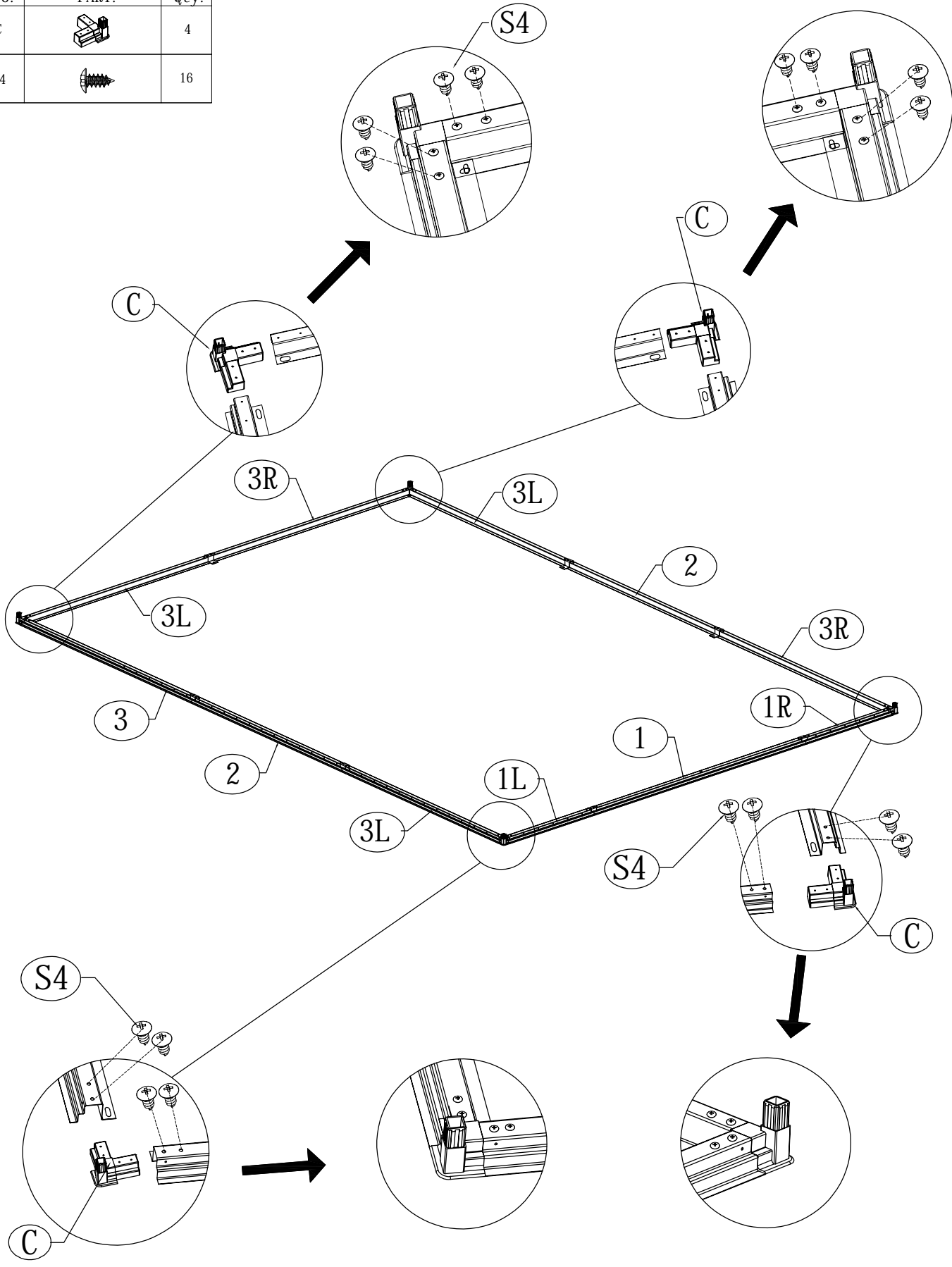
NO.	PART.	Qty.
3L	 1350.1mm	1
2	 1284mm	1
3	 1457.1mm	1
4B	 200mm	2
S4		8
4		2




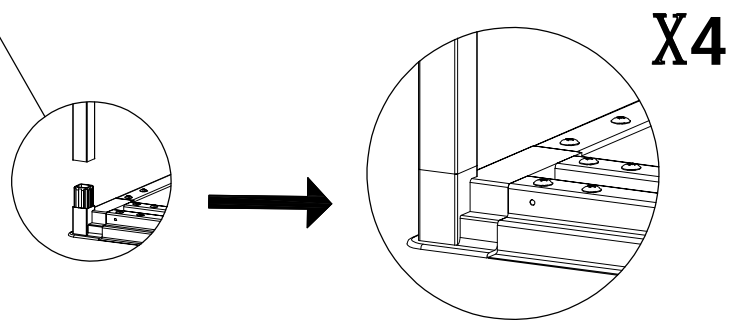
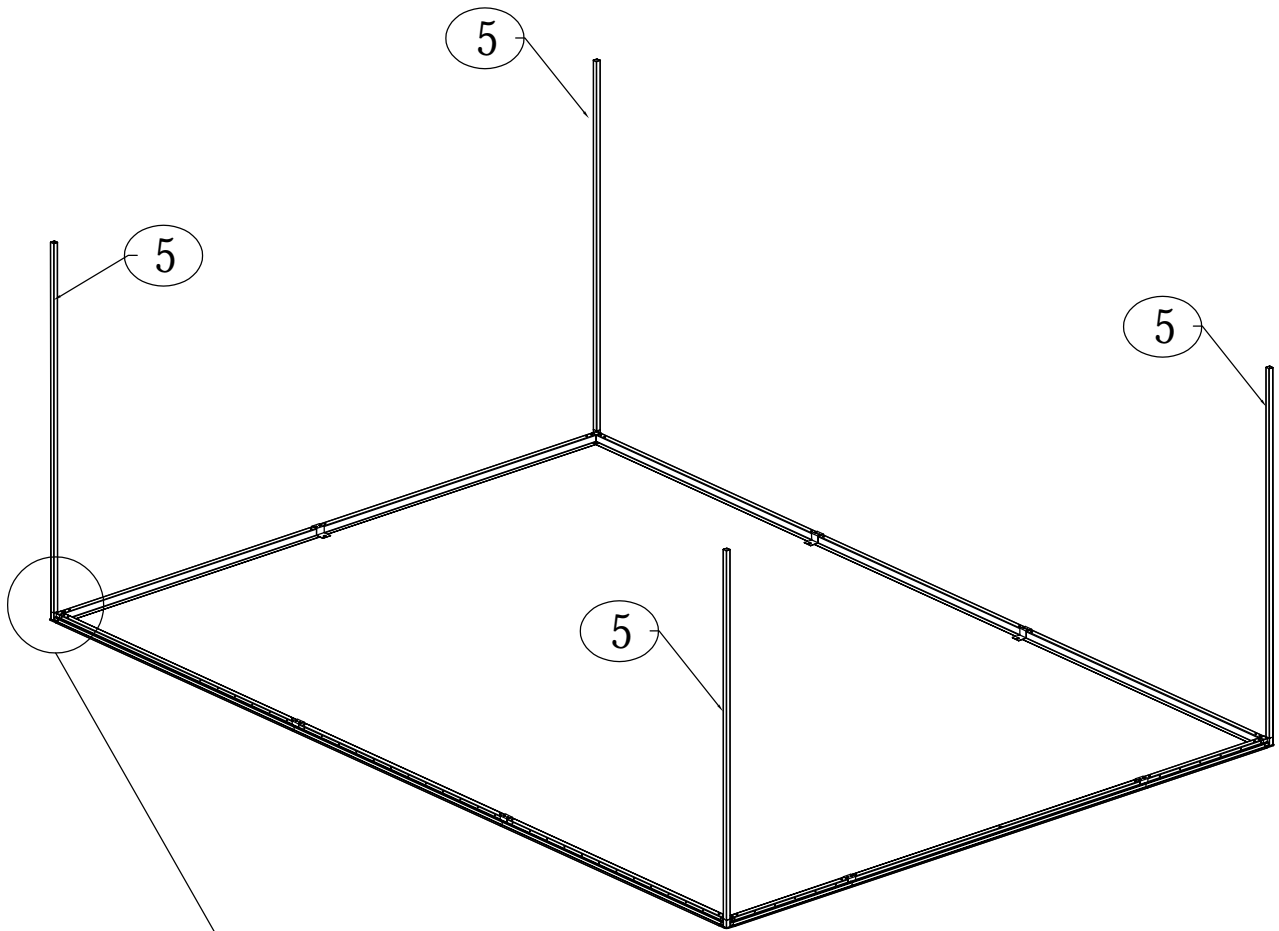
NO.	PART.	Qty.
3L	 1350.1mm	1
3R	 1457.1mm	1
4B	 200mm	1
S4		4
4		1




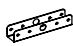



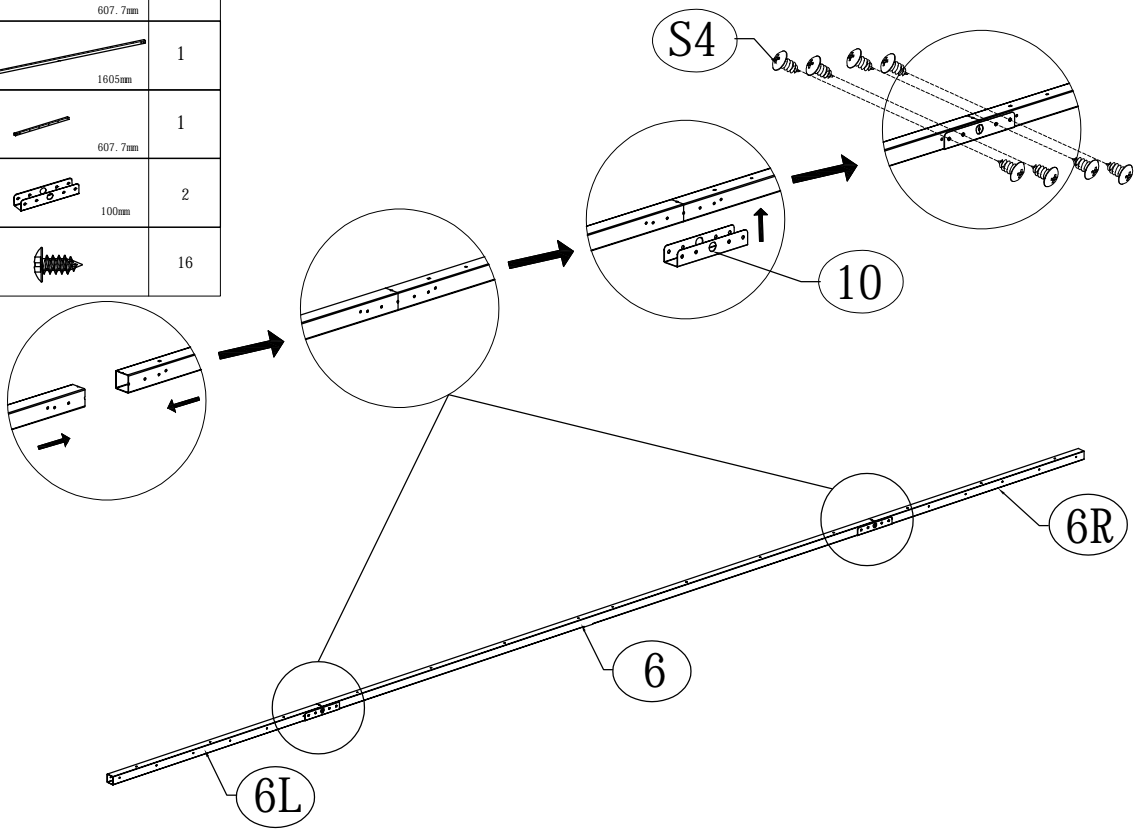
NO.	PART.	Qty.
C		4
S4		16




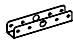



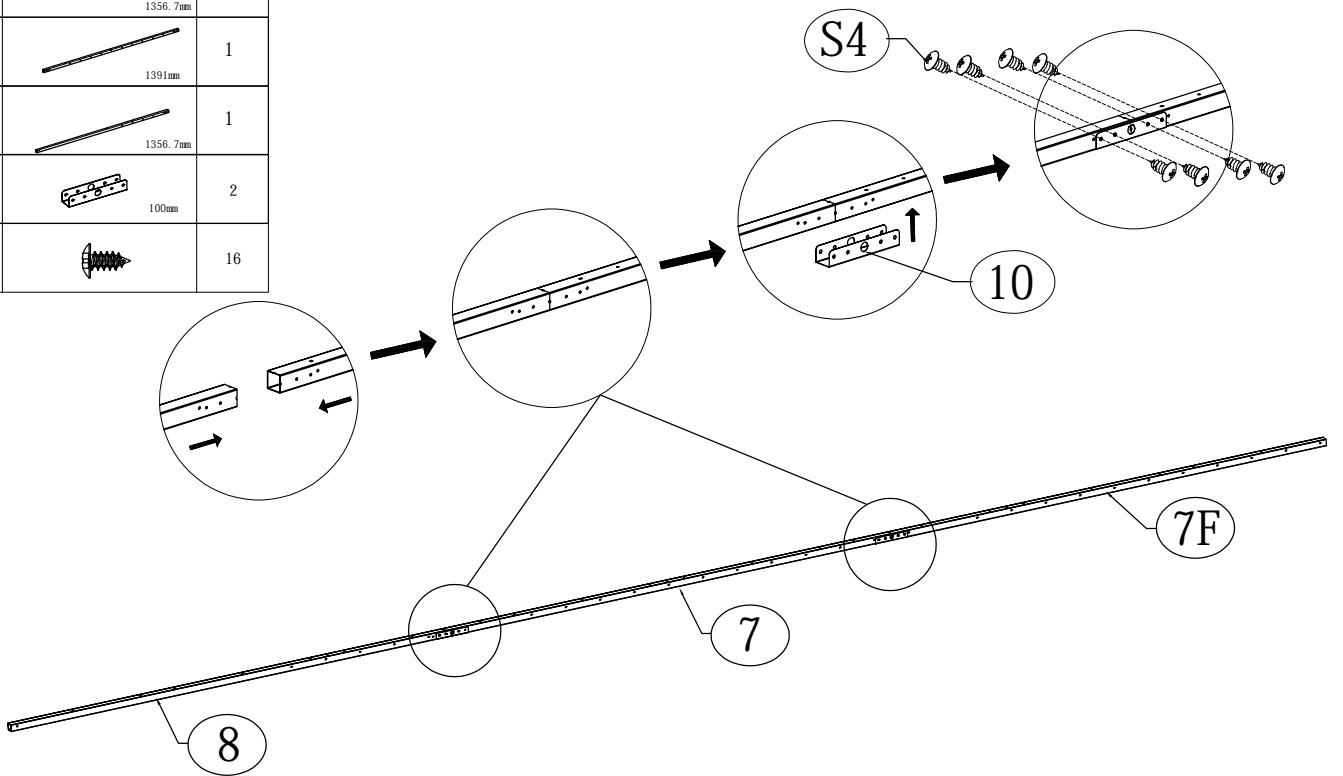
NO.	PART.	Qty.
5	 1610mm	4



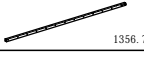
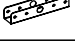



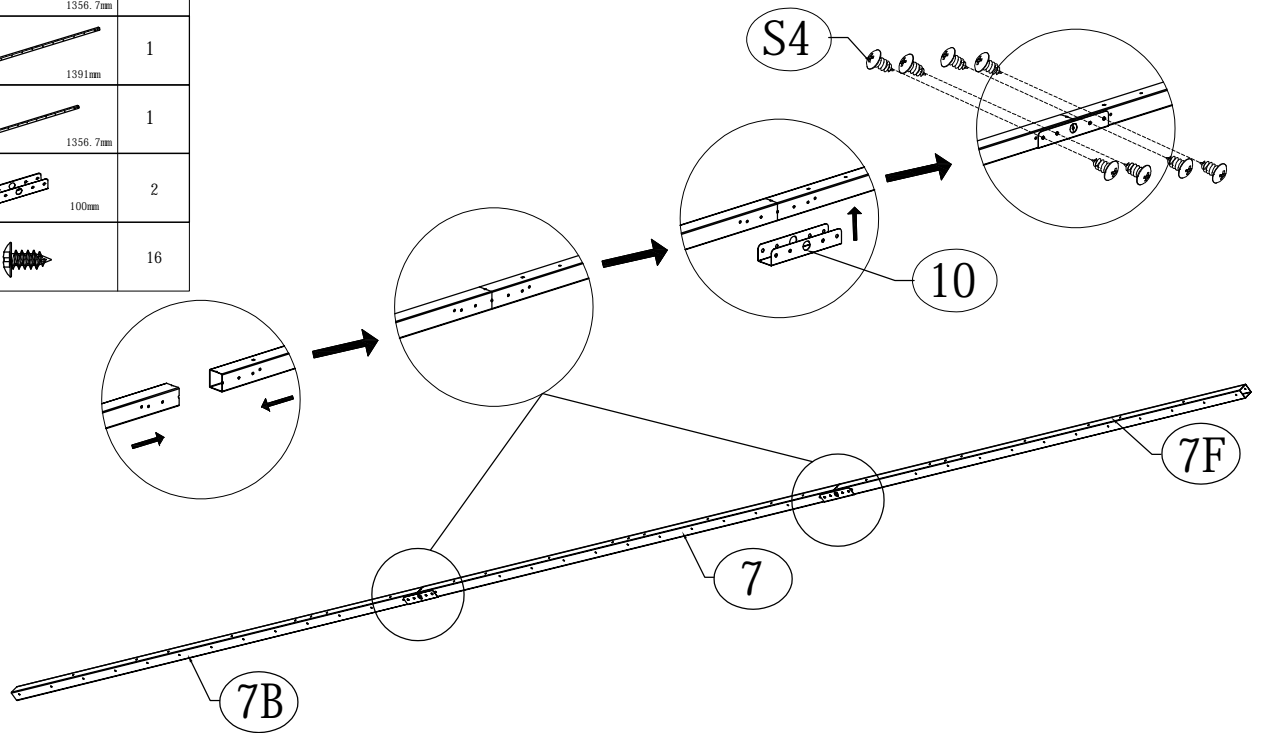
NO.	PART.	Qty.
6L	 607.7mm	1
6	 1605mm	1
6R	 607.7mm	1
10	 100mm	2
S4		16


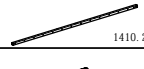
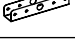



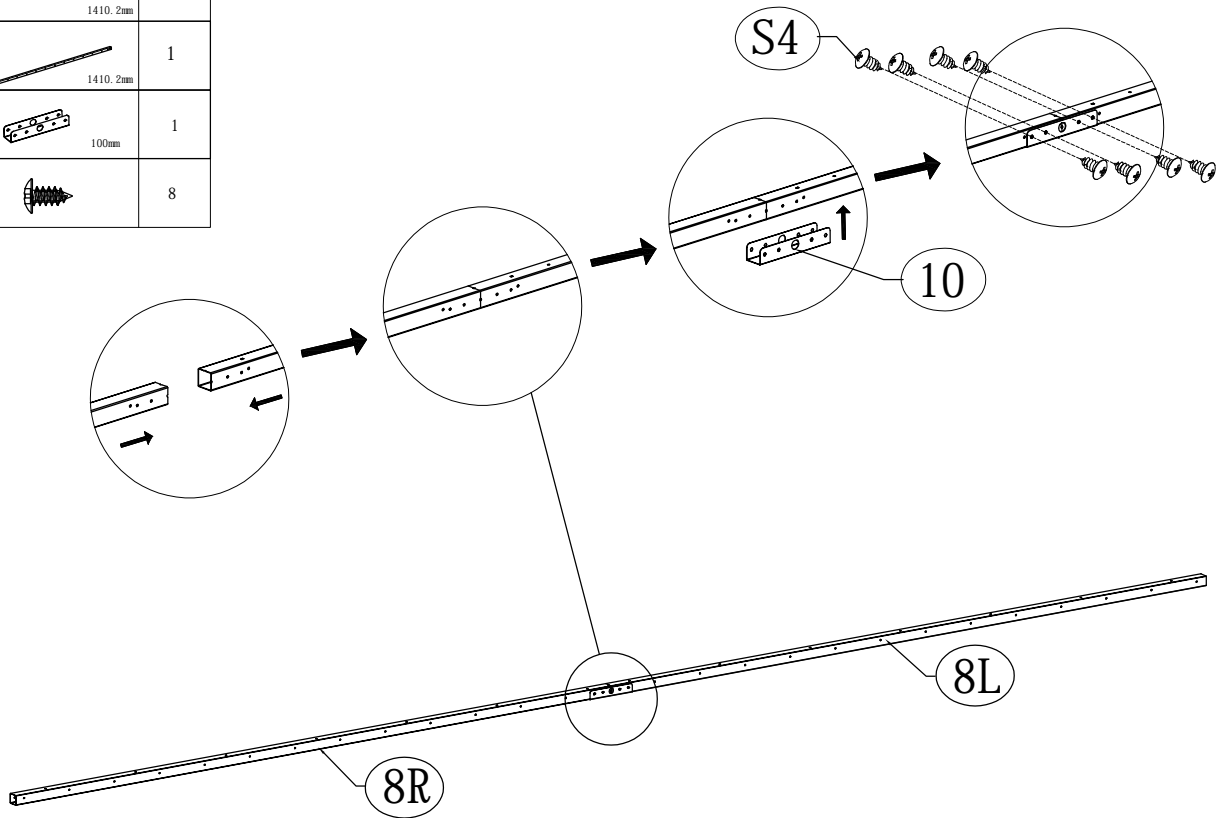
NO.	PART.	Qty.
7F	 1356.7mm	1
7	 1391mm	1
8	 1356.7mm	1
10	 100mm	2
S4		16





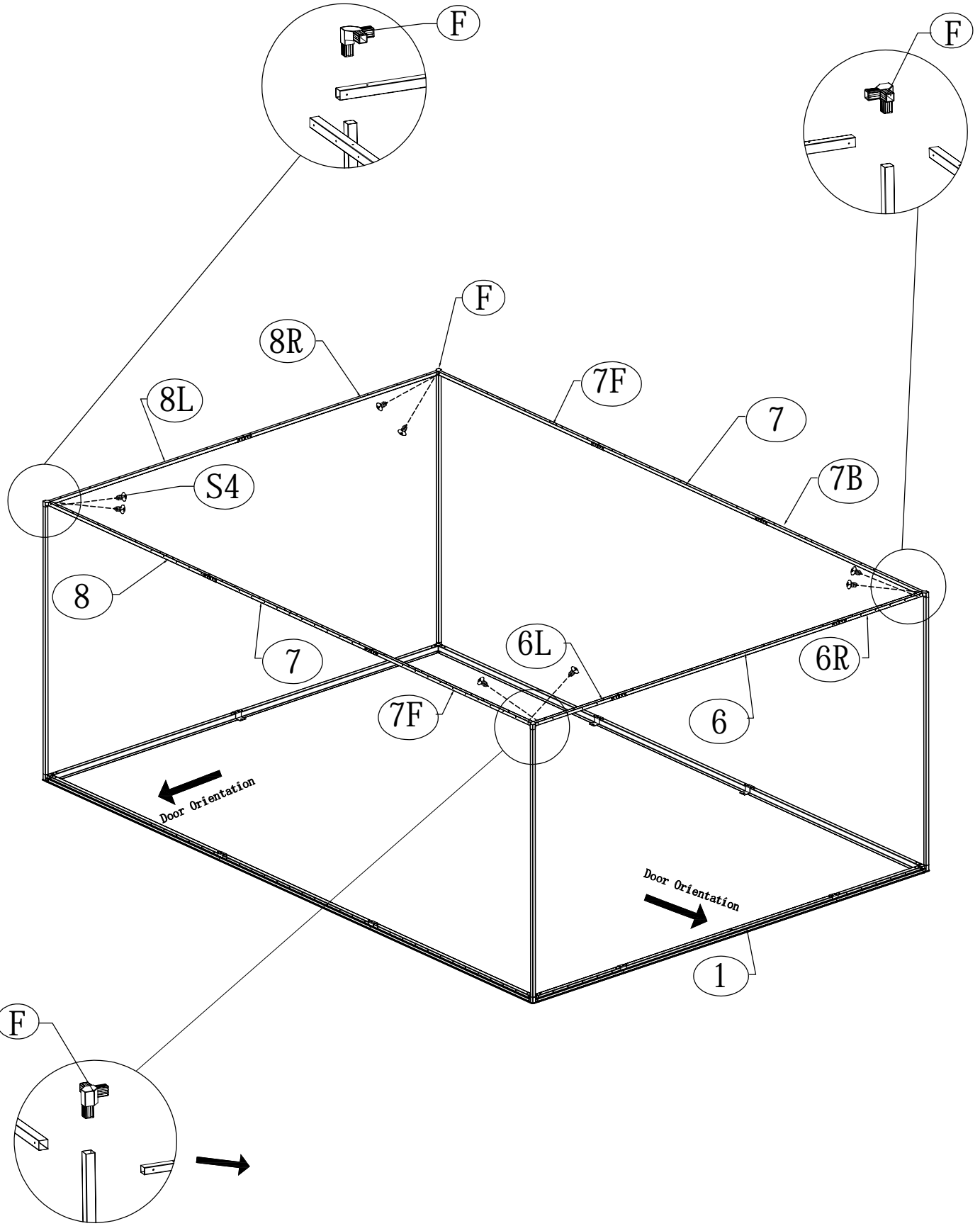
NO.	PART.	Qty.
7F	 1356.7mm	1
7	 1391mm	1
7B	 1356.7mm	1
10	 100mm	2
S4		16

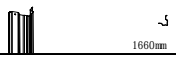





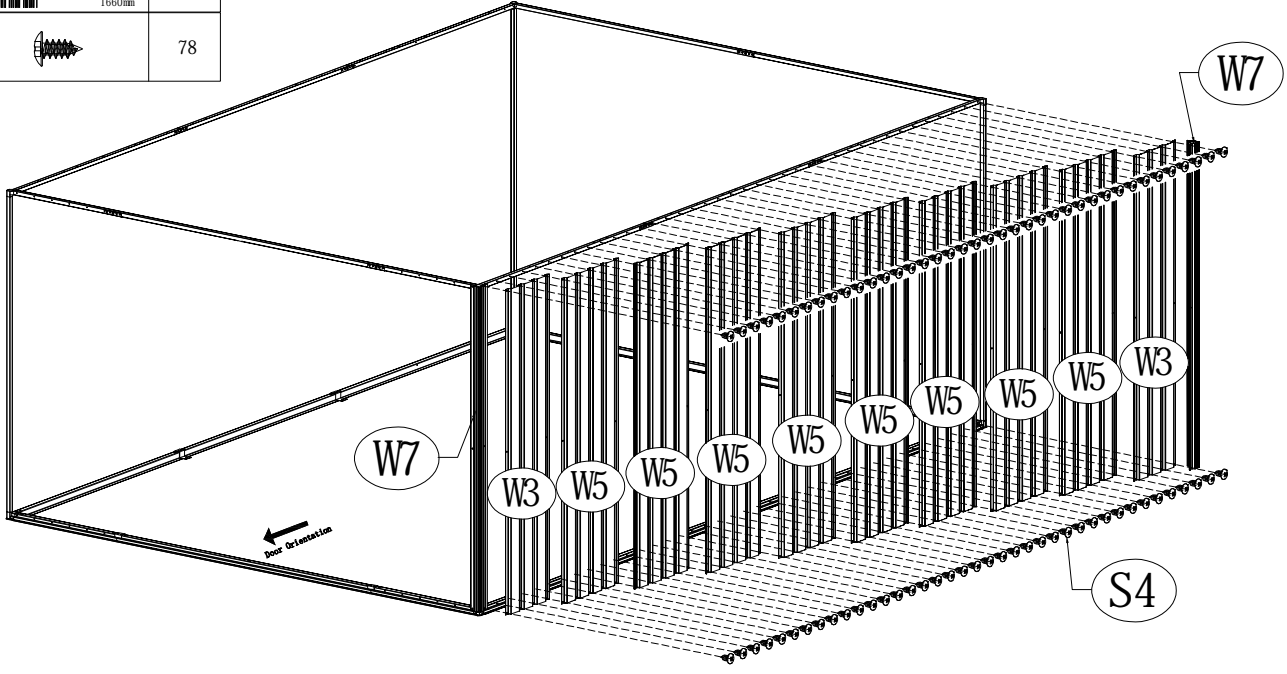
NO.	PART.	Qty.
8L	 1410.2mm	1
8R	 1410.2mm	1
10	 100mm	1
S4		8






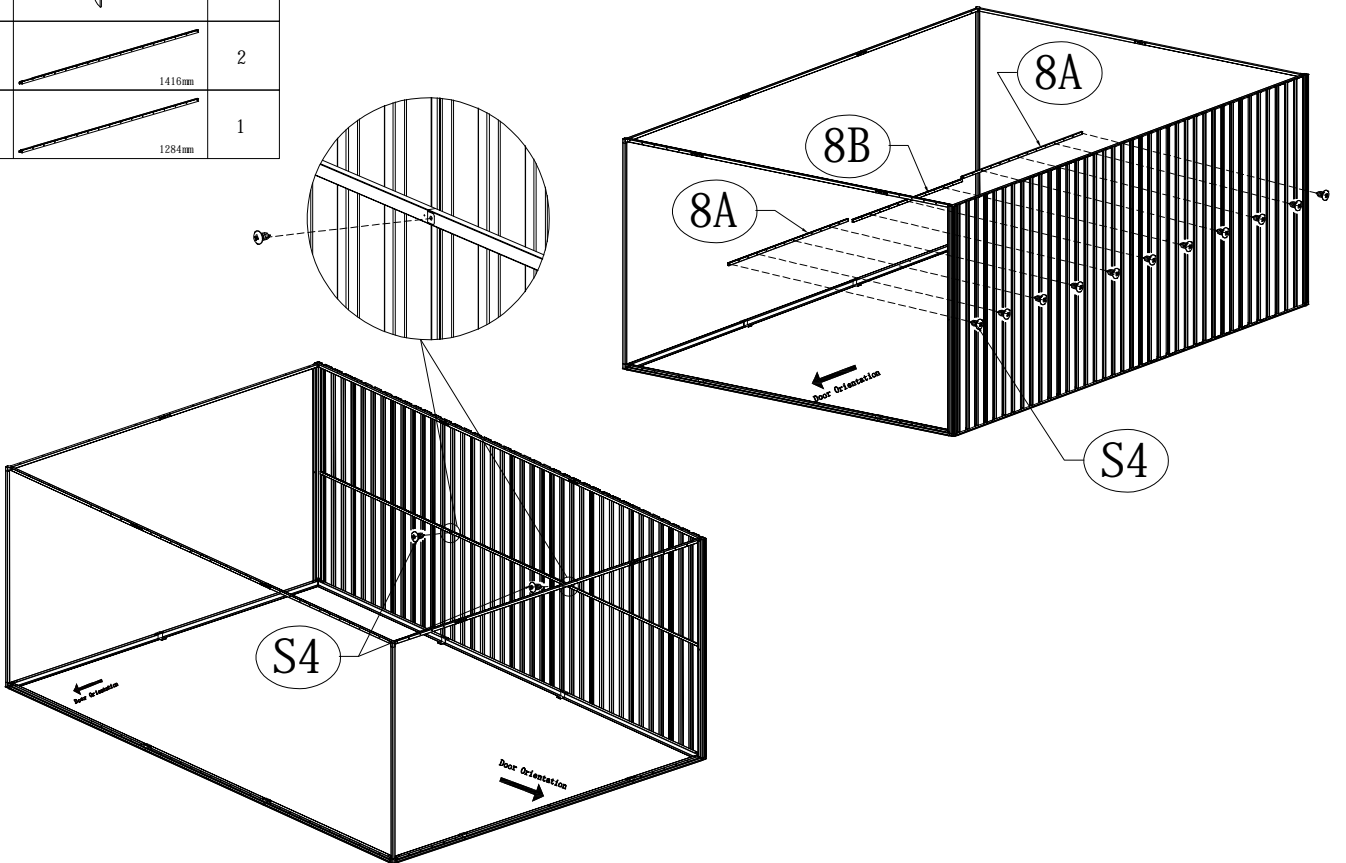
NO.	PART.	Qty.
F		4
S4		8

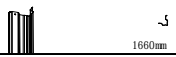





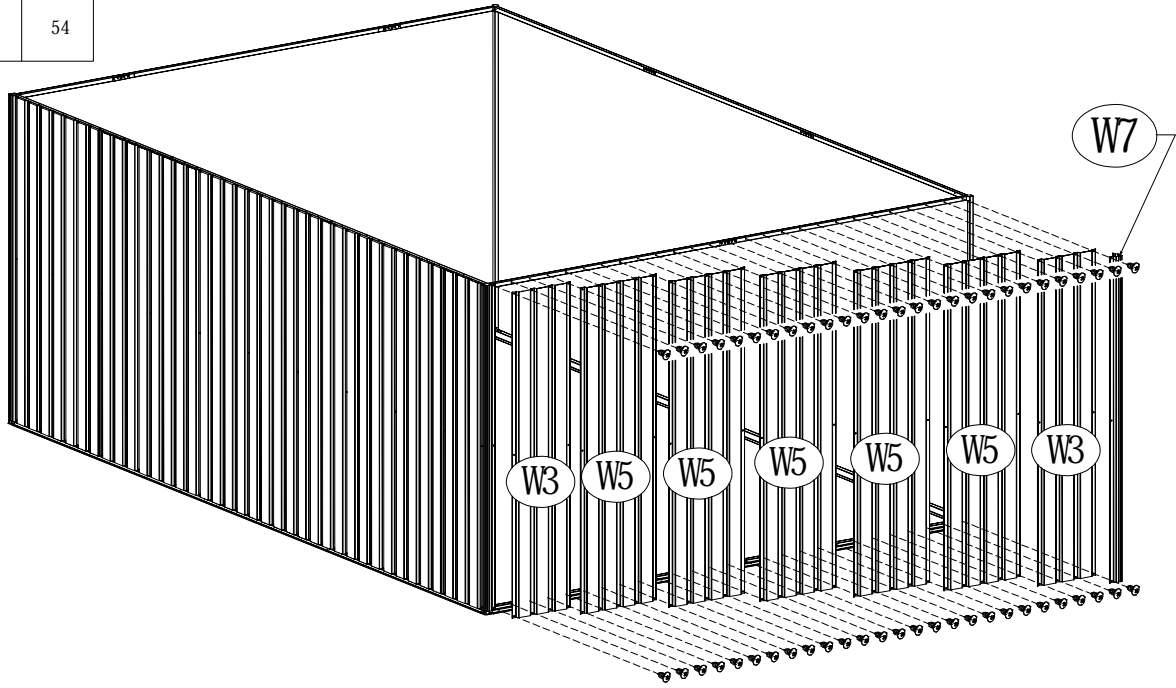
NO.	PART.	Qty.
W7	 1660mm	2
W3	 1660mm	2
W5	 1660mm	8
S4		78





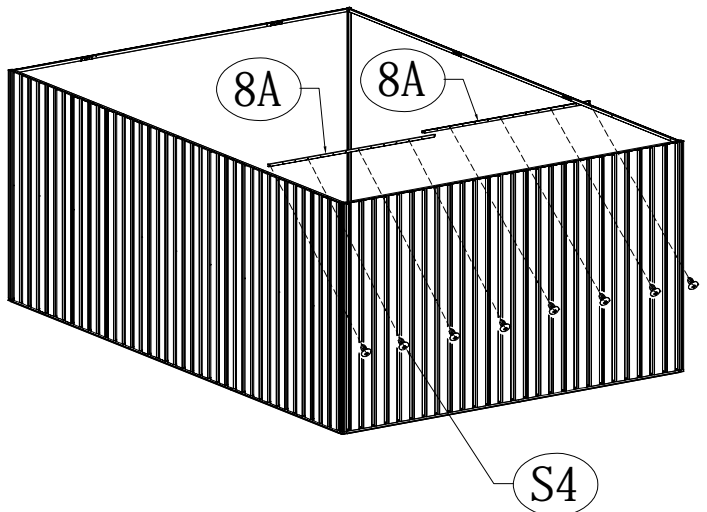
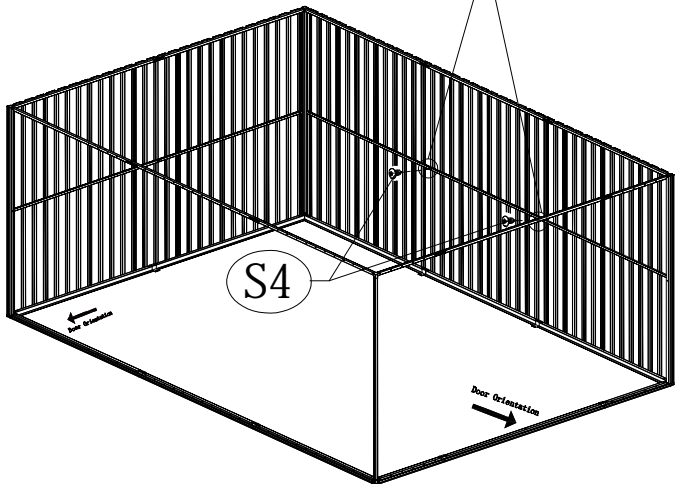
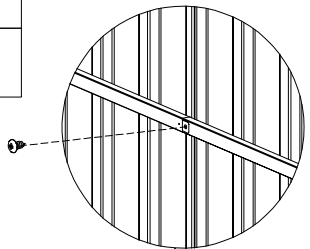
NO.	PART.	Qty.
S4		13
8A	 1416mm	2
8B	 1284mm	1









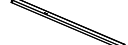


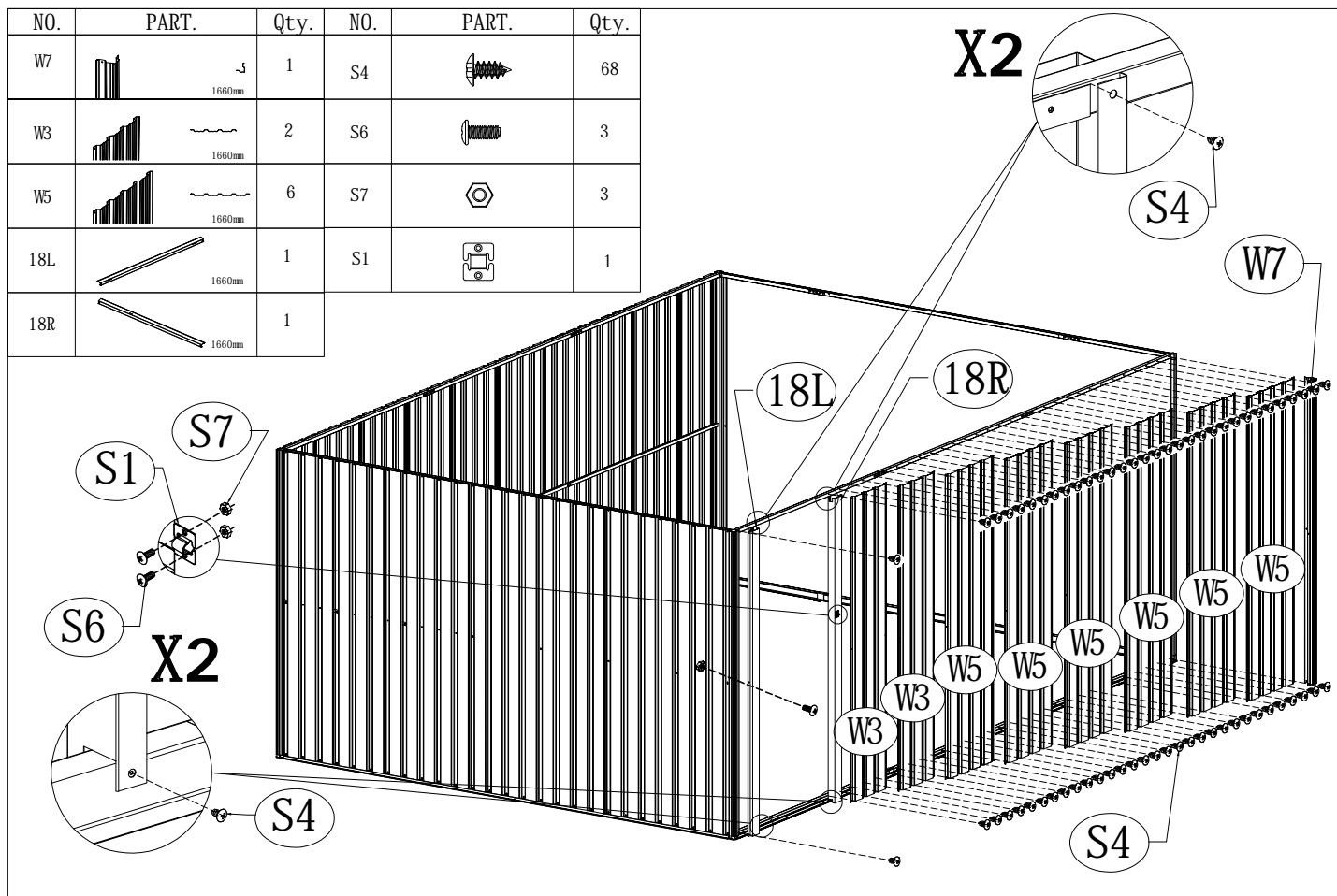
NO.	PART.	Qty.
W7	 1660mm	1
W3	 1660mm	2
W5	 1660mm	5
S4		54





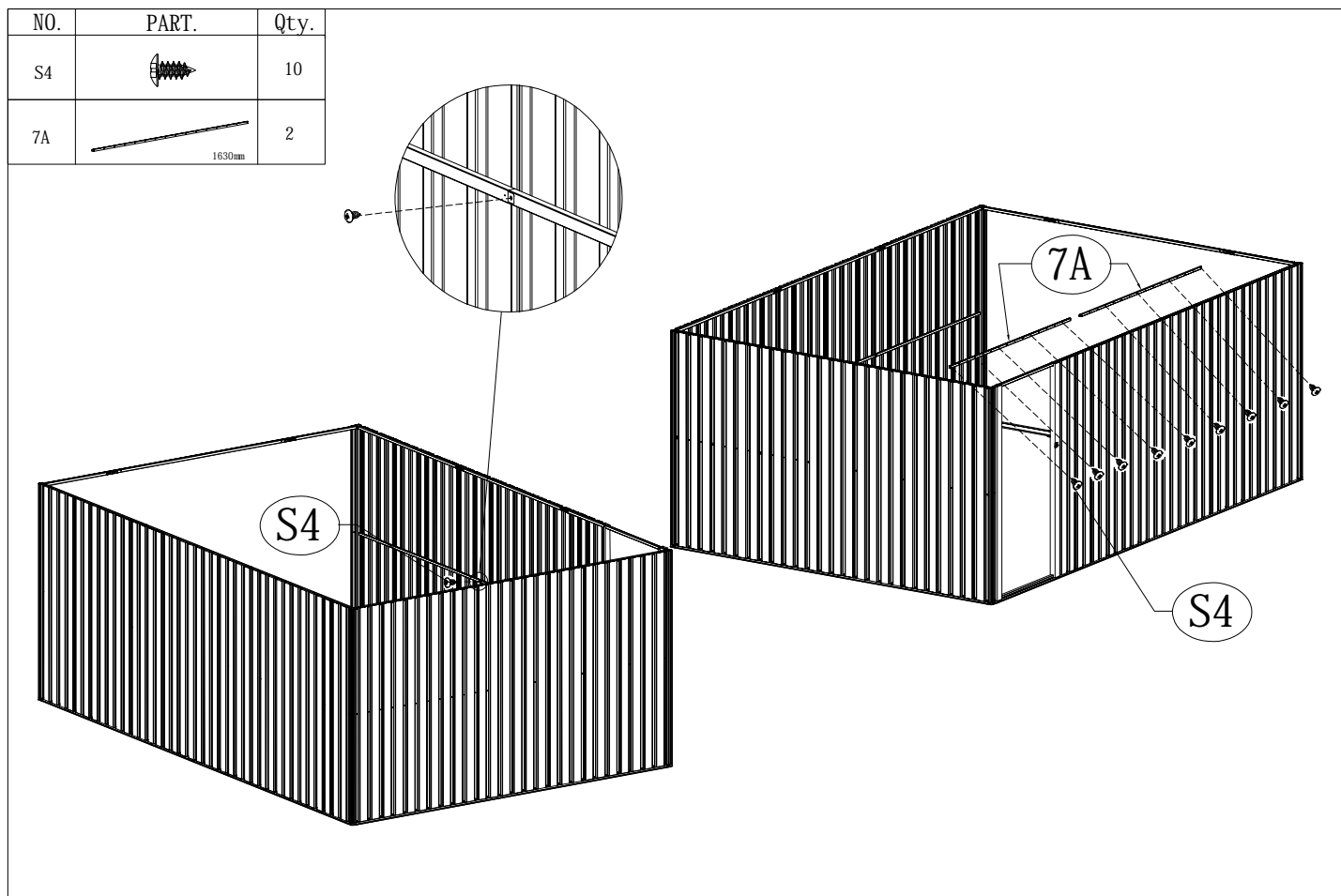
NO.	PART.	Qty.
S4		10
8A	 1416mm	2



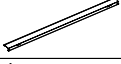
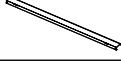



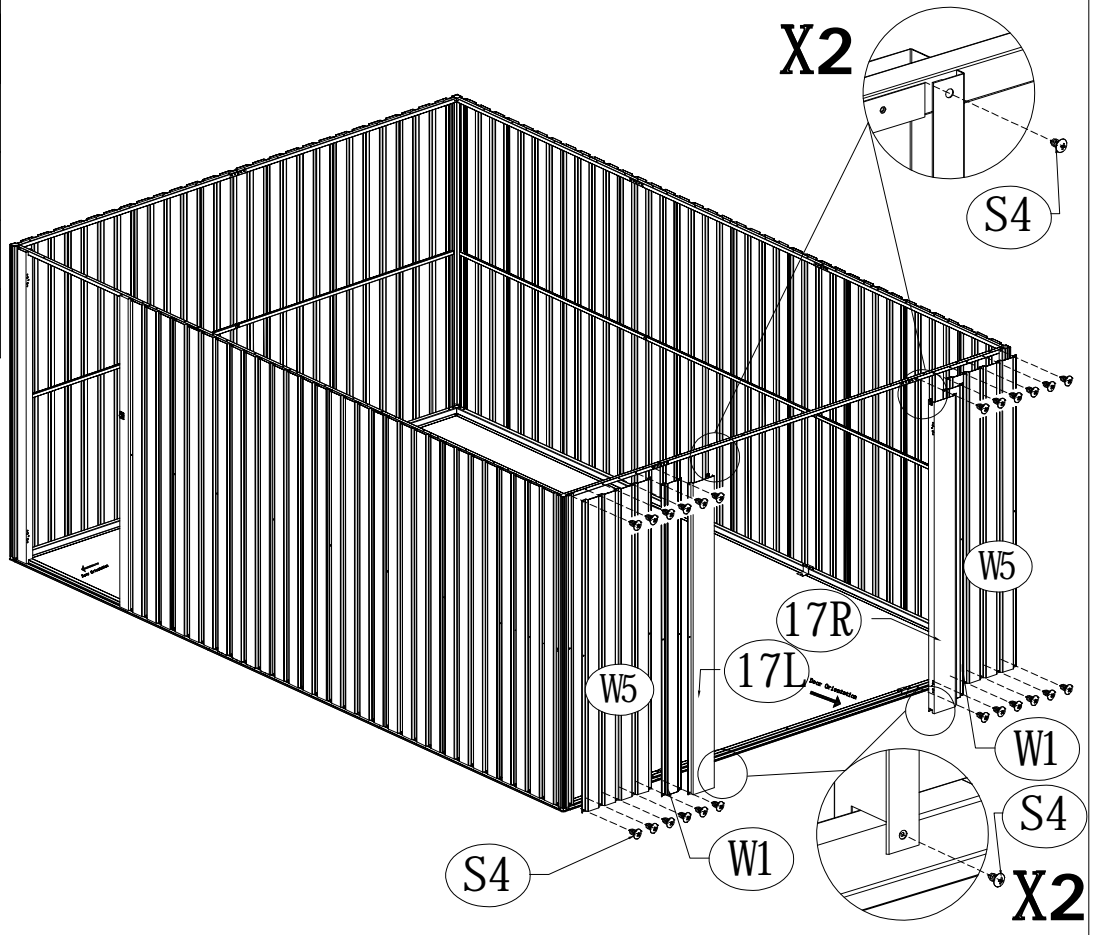
NO.	PART.	Qty.	NO.	PART.	Qty.
W7	 1660mm	1	S4		68
W3	 1660mm	2	S6		3
W5	 1660mm	6	S7		3
18L	 1660mm	1	S1		1
18R	 1660mm	1			


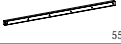


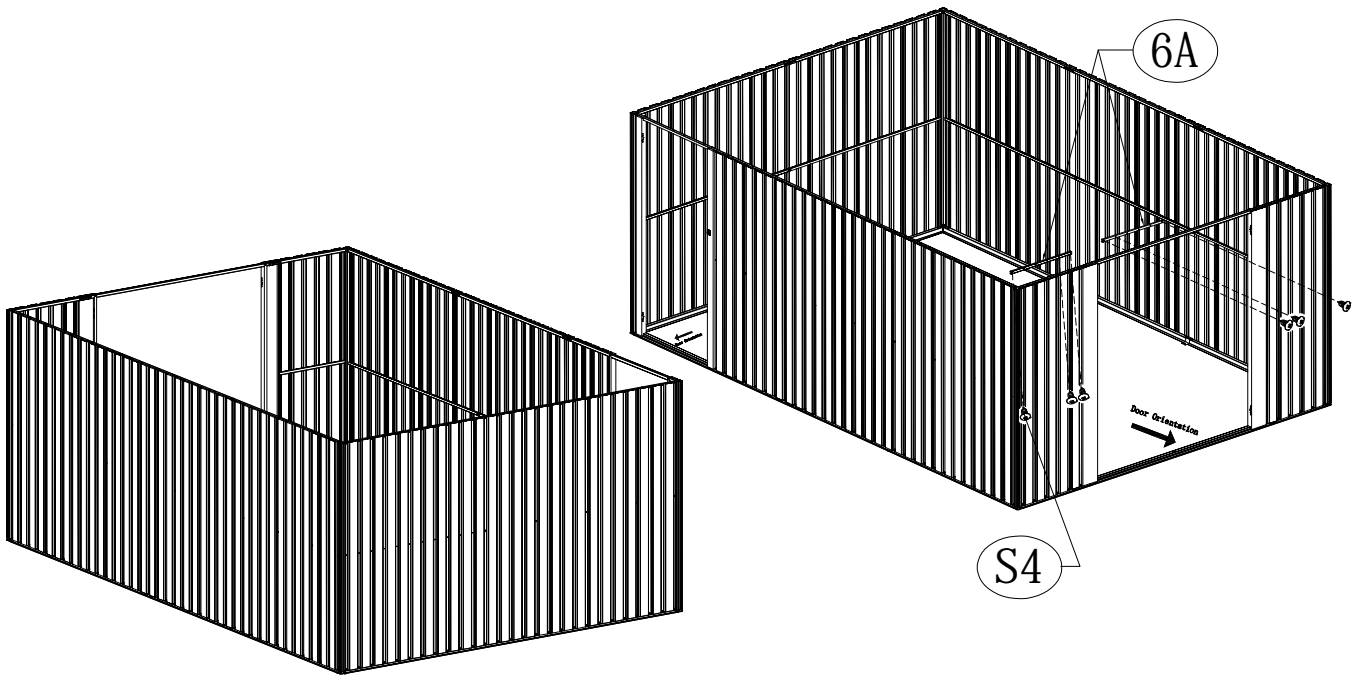
NO.	PART.	Qty.
S4		10
7A	 1630mm	2




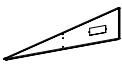





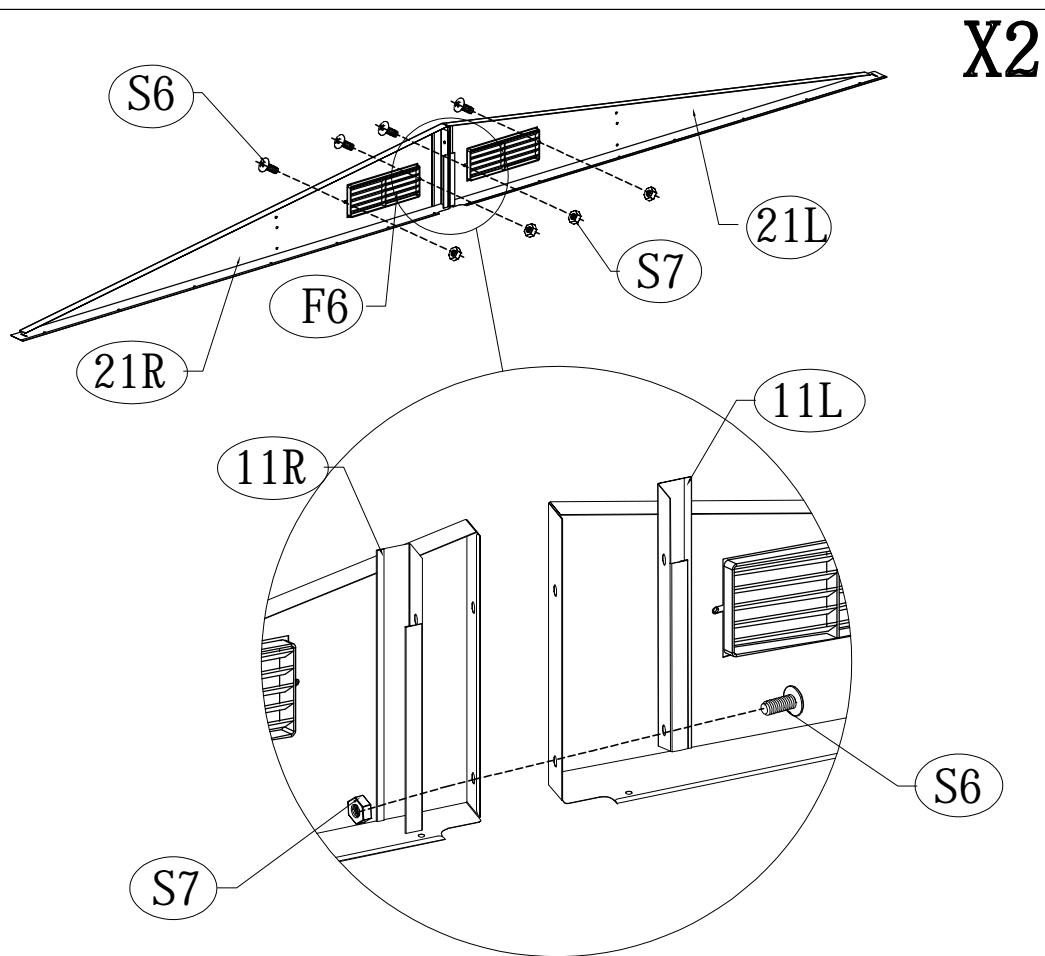
NO.	PART.	Qty.
W1	 1660mm	2
W5	 1660mm	2
17L	 1660mm	1
17R	 1660mm	1
S4		28




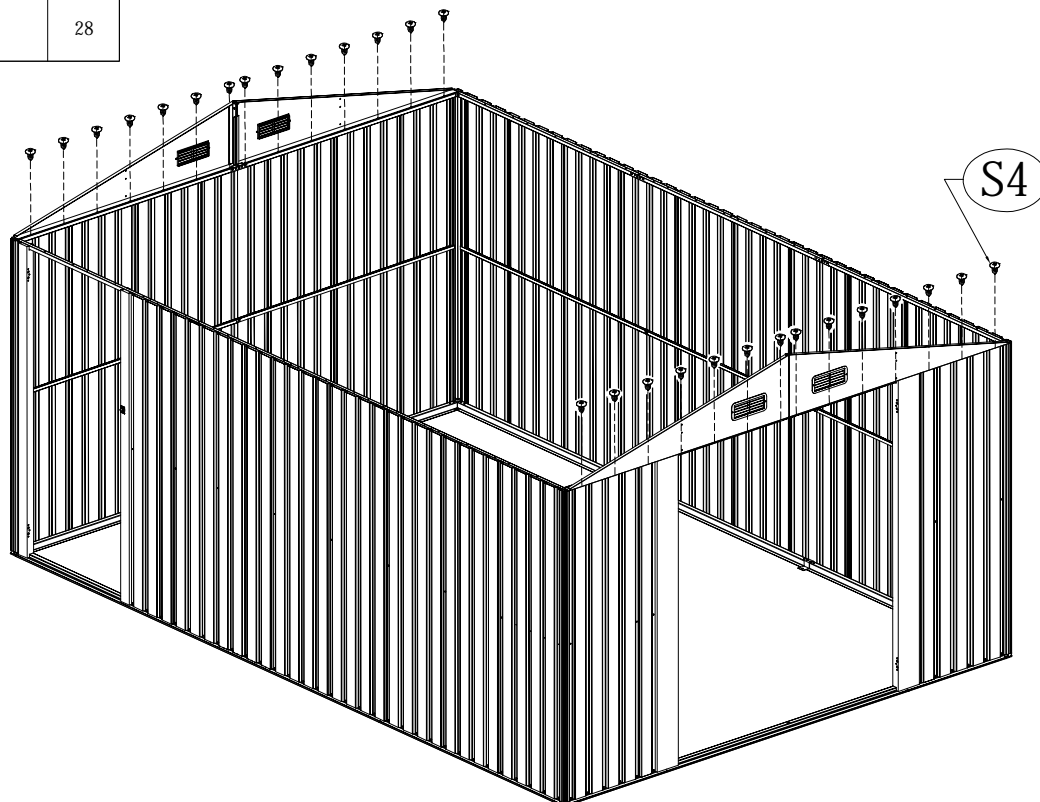
NO.	PART.	Qty.
S4		6
6A	 555mm	2








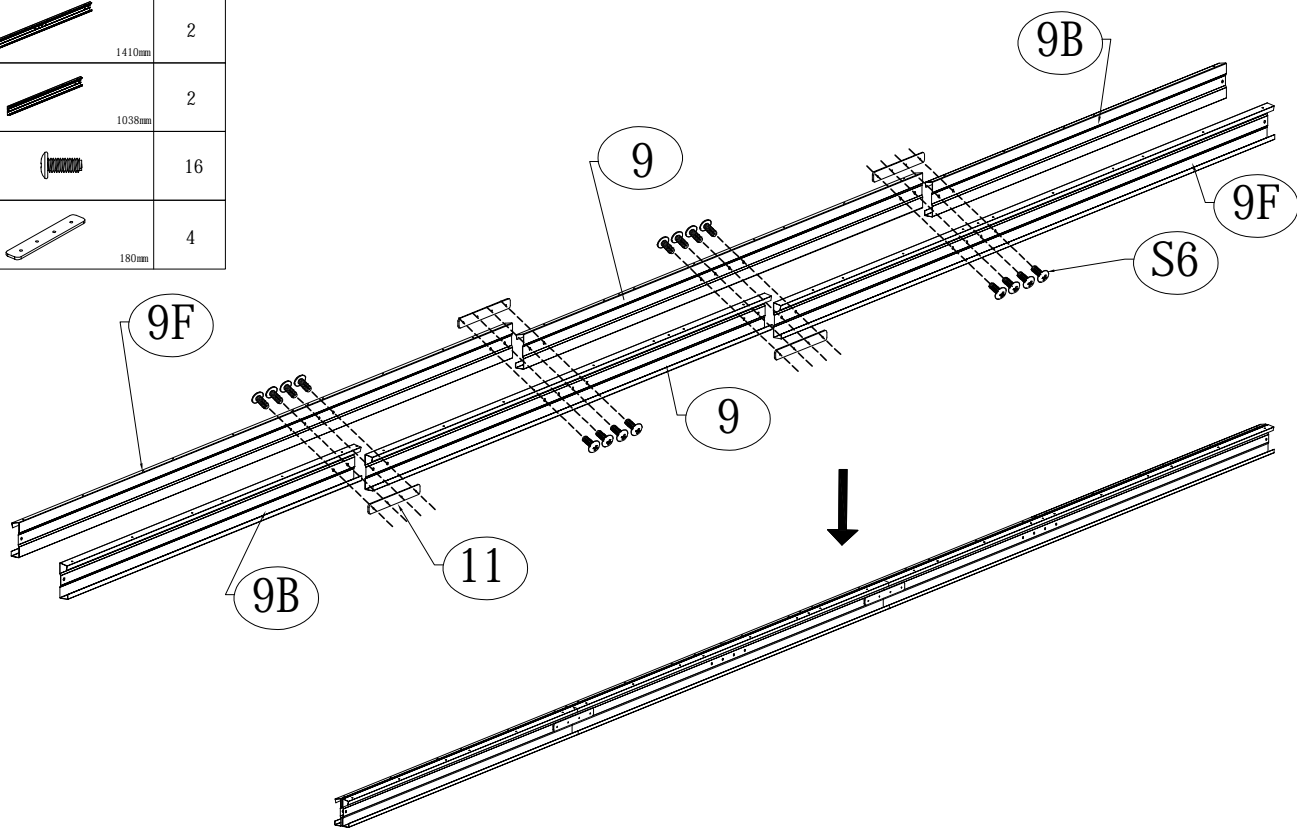
NO.	PART.	Qty.
11L	 320mm	2
11R	 320mm	2
21L		2
21R		2
S6		10
S7		10
F6		4





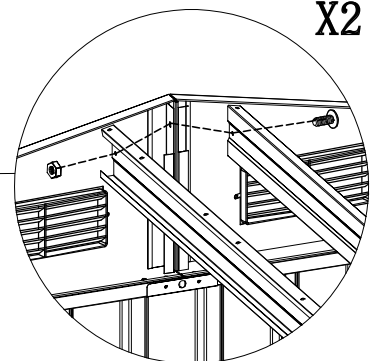
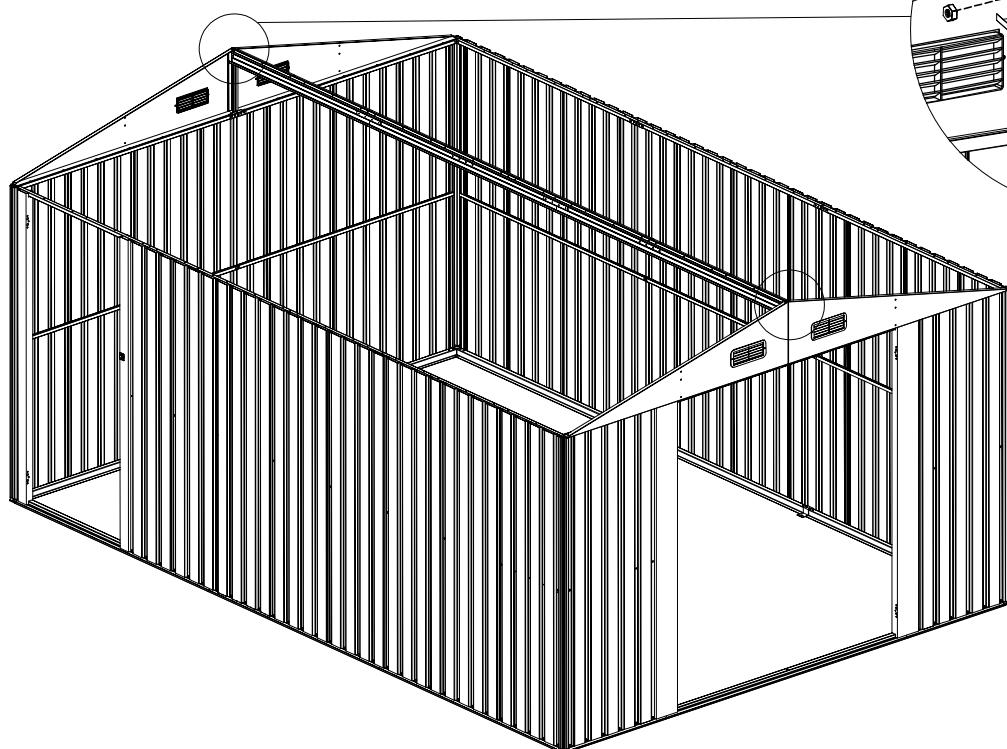
NO.	PART.	Qty.
S4		28




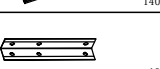

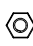


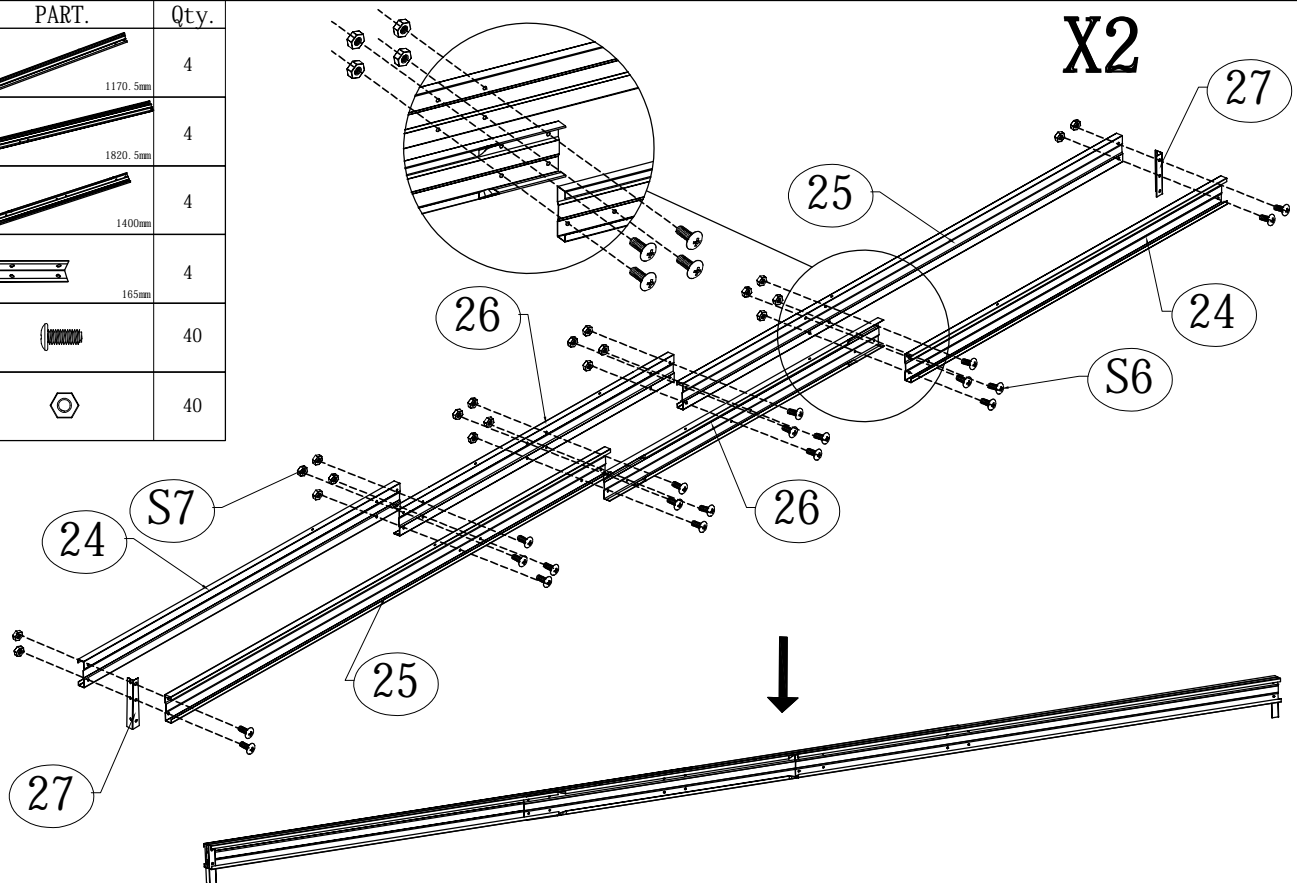
NO.	PART.	Qty.
9F	 1743mm	2
9	 1410mm	2
9B	 1038mm	2
S6		16
11	 180mm	4





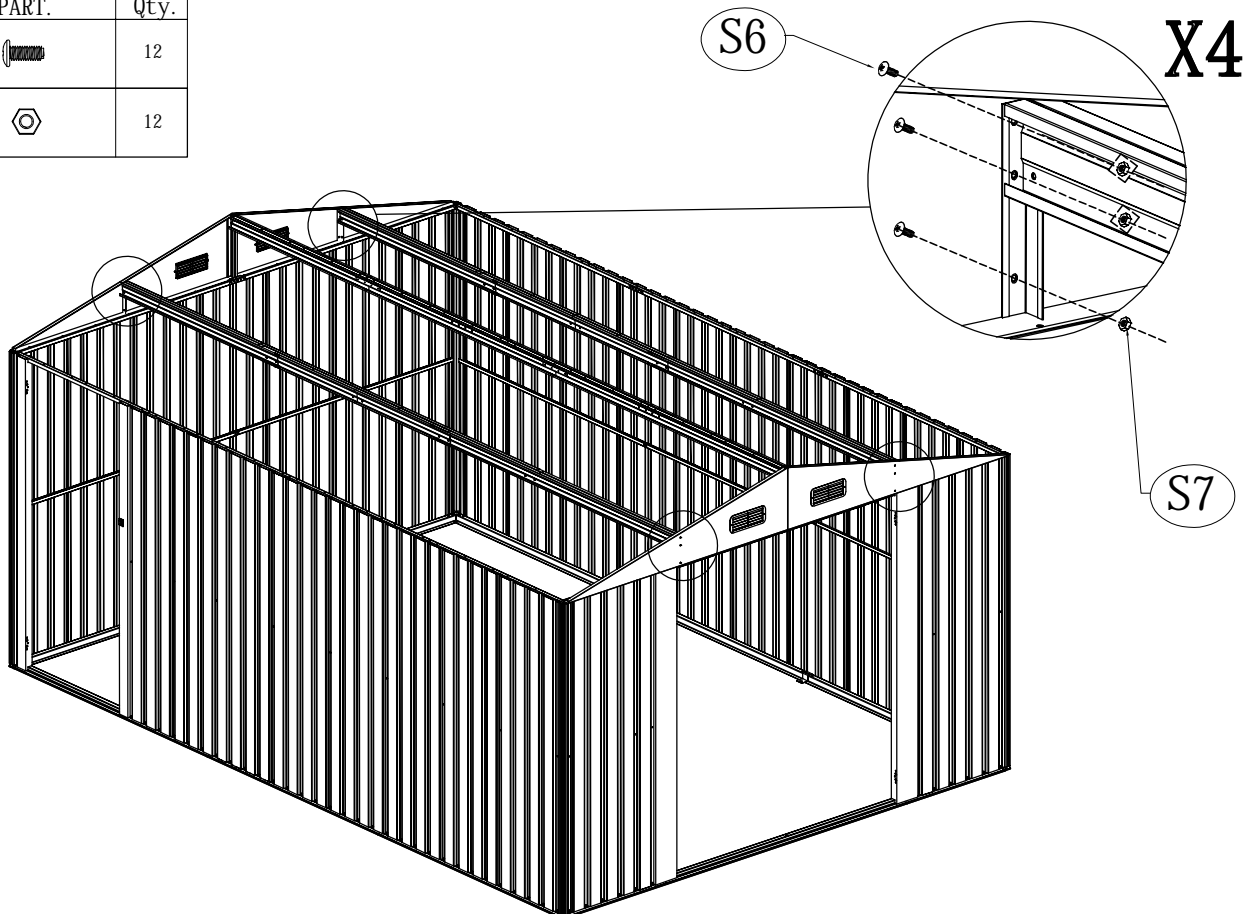
NO.	PART.	Qty.
S6		2
S7		2





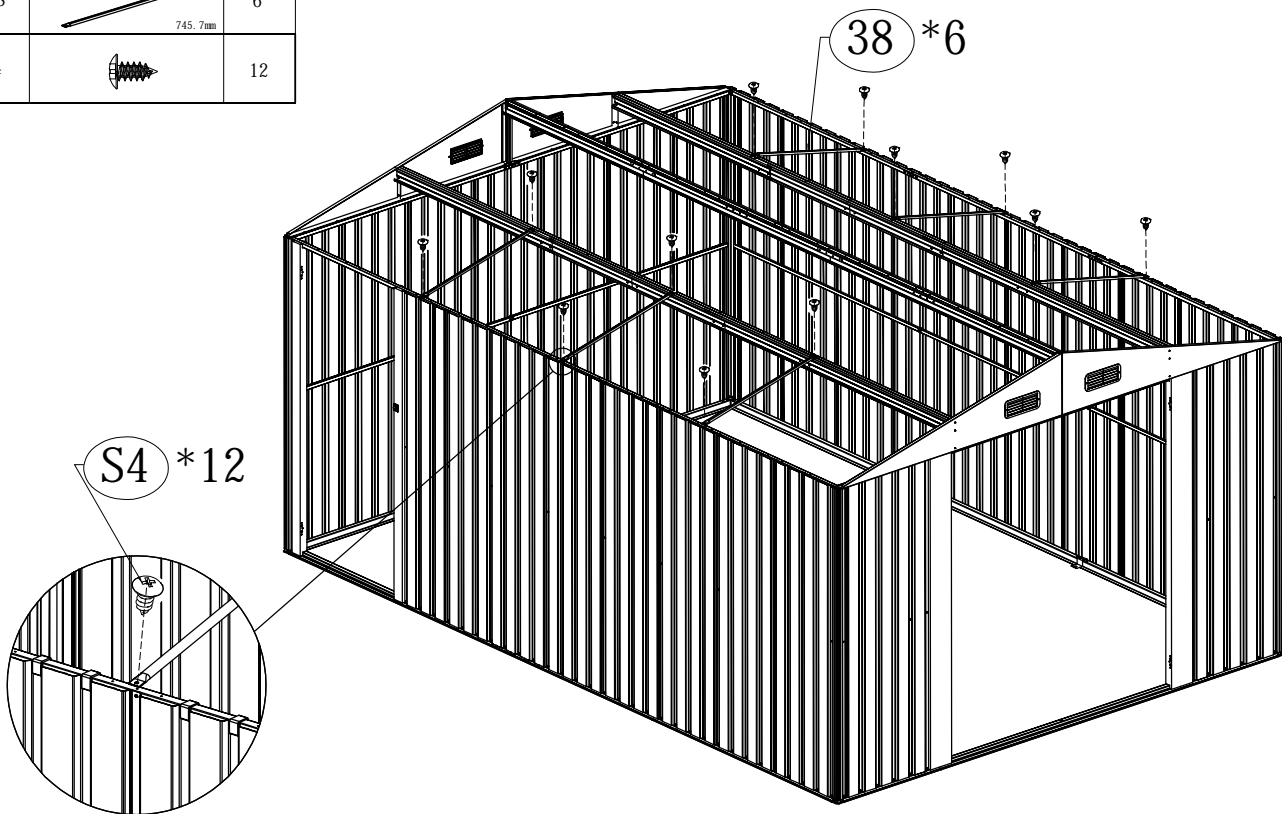
NO.	PART.	Qty.
24	 1170.5mm	4
25	 1820.5mm	4
26	 1400mm	4
27	 165mm	4
S6		40
S7		40





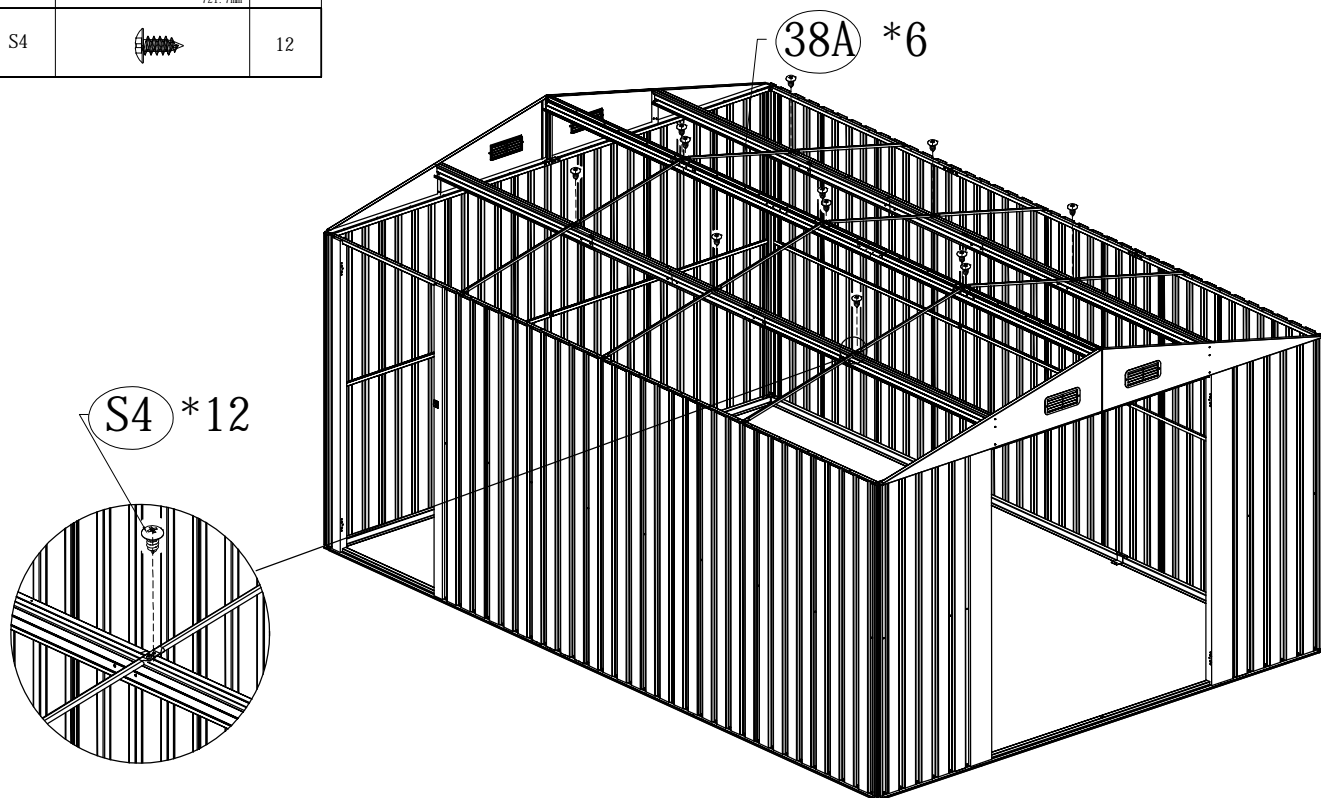
NO.	PART.	Qty.
S6		12
S7		12






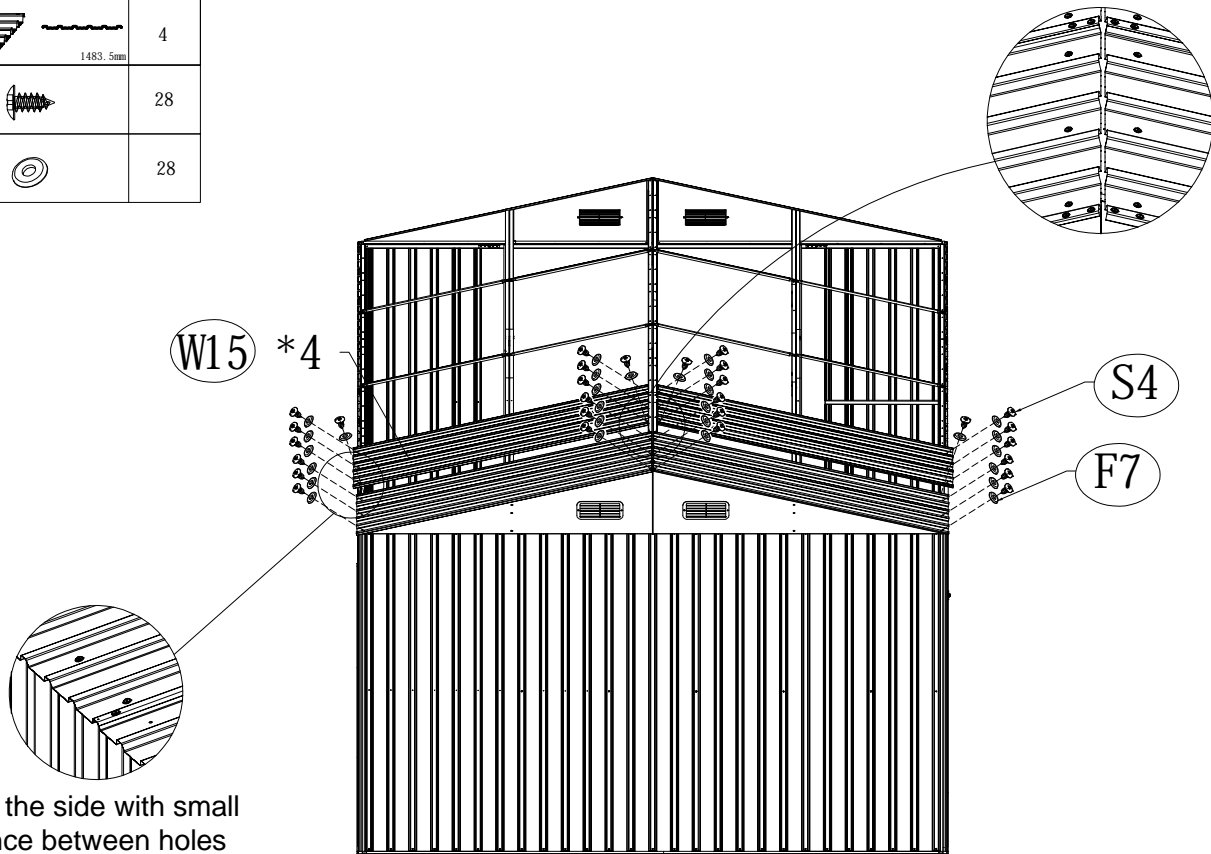
NO.	PART.	Qty.
38	 745.7mm	6
S4		12







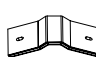
NO.	PART.	Qty.
38A	 721.7mm	6
S4		12

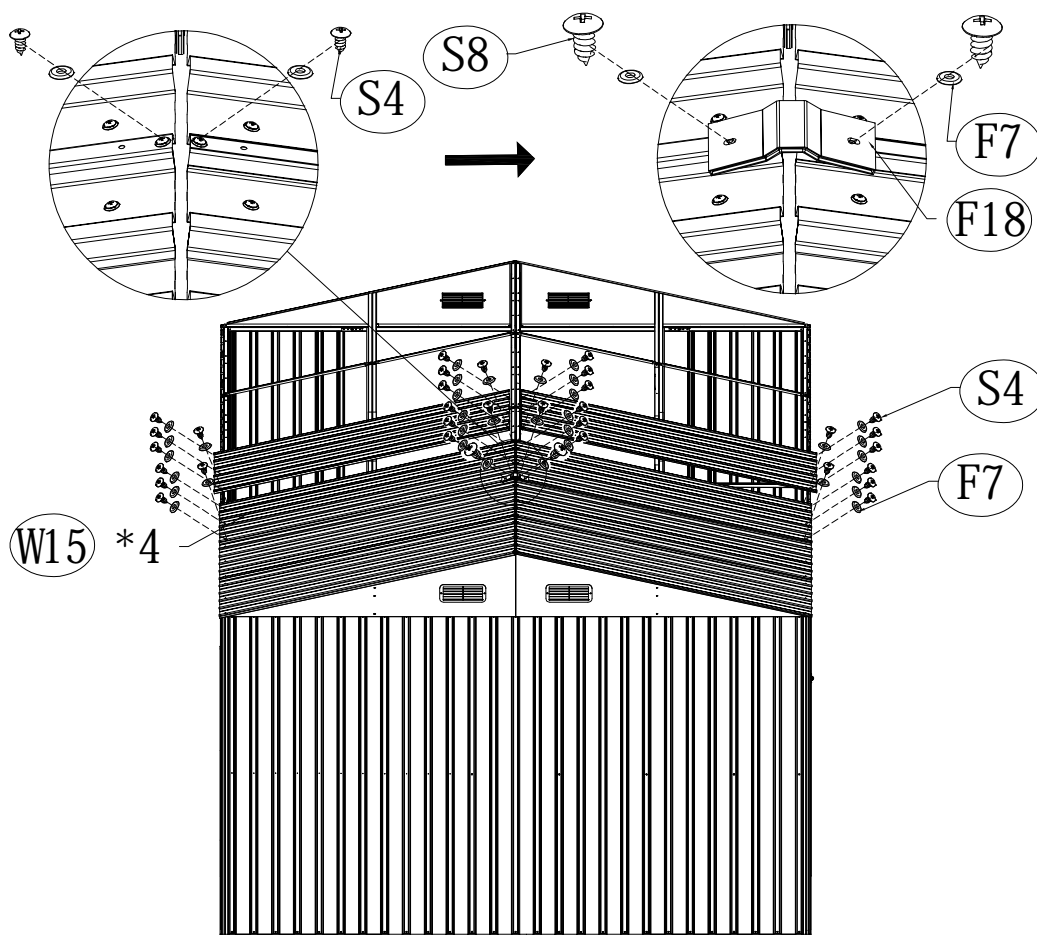



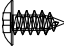

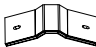


NO.	PART.	Qty.
W15	 1483.5mm	4
S4		28
F7		28

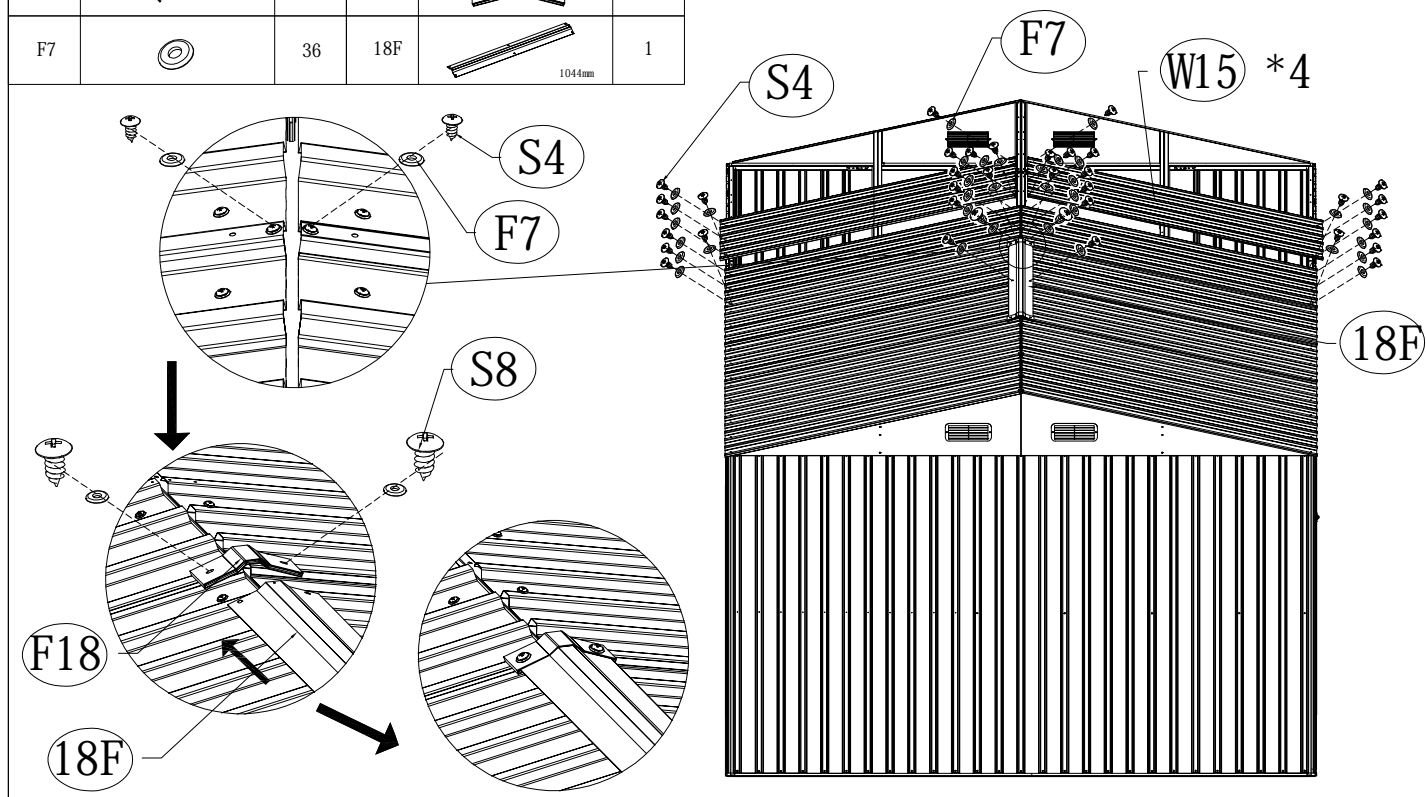








Place the side with small distance between holes and edges on the top

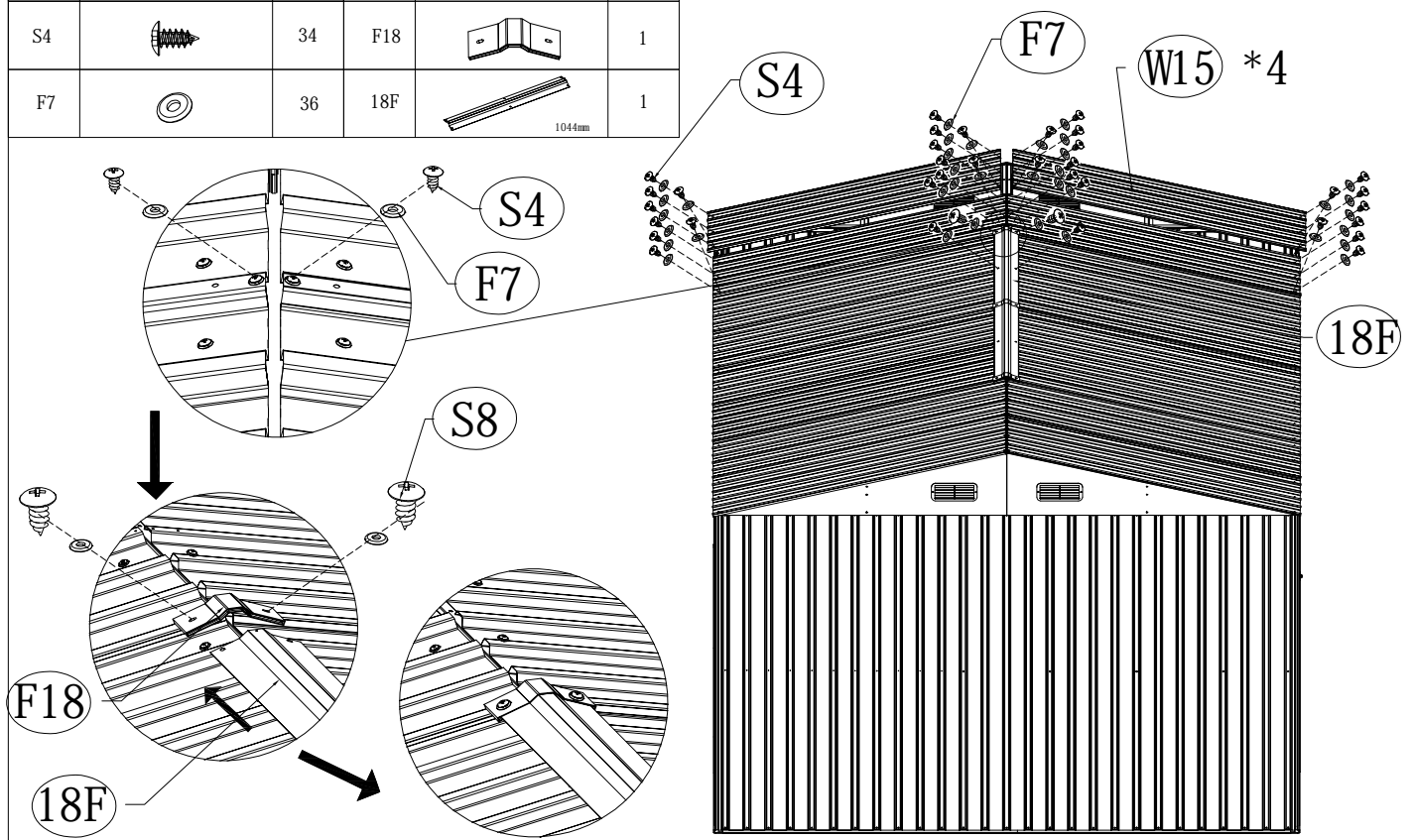
NO.	PART.	Qty.
W15	 1483.5mm	4
S4		32
F7		34
S8		2
F18		1



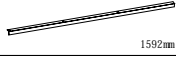








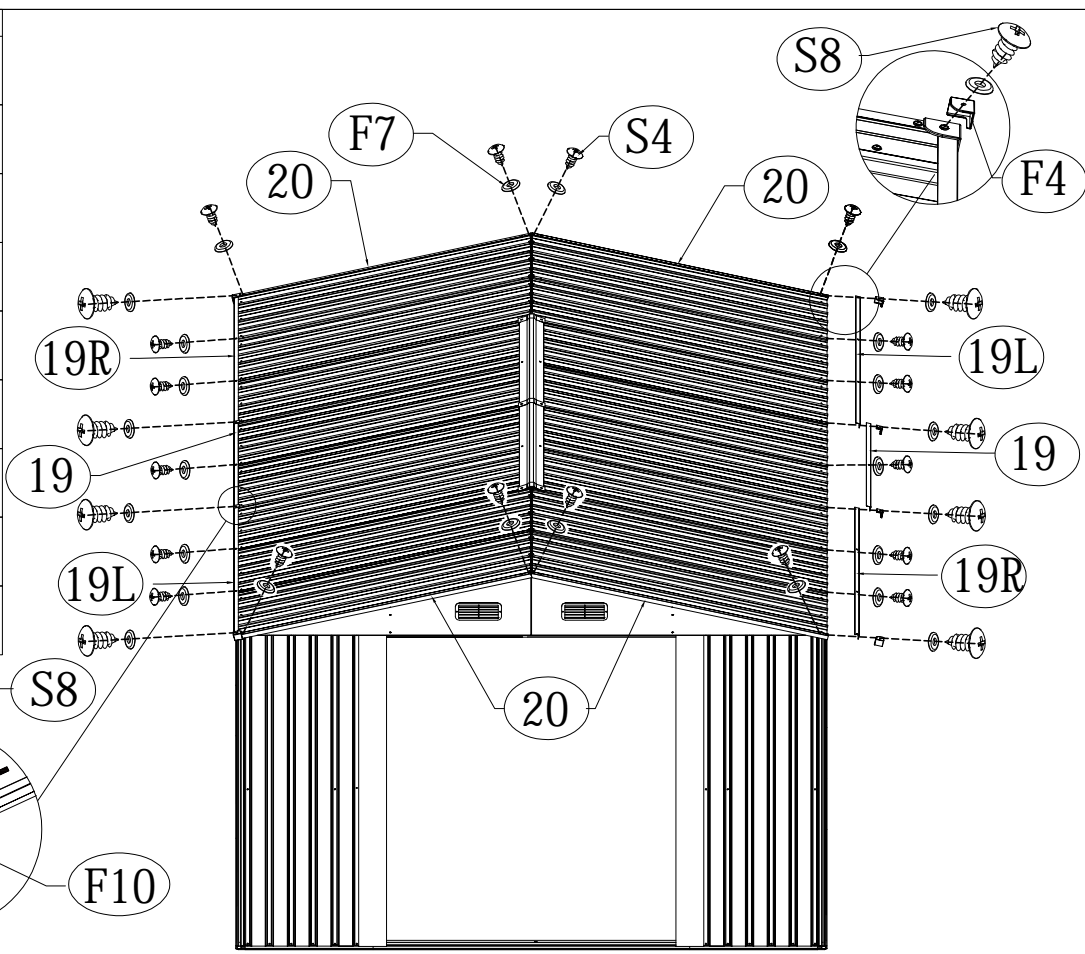
NO.	PART.	Qty.	NO.	PART.	Qty.
W15	 1483.5mm	4	S8		2
S4		34	F18		1
F7		36	18F	 1044mm	1

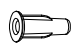


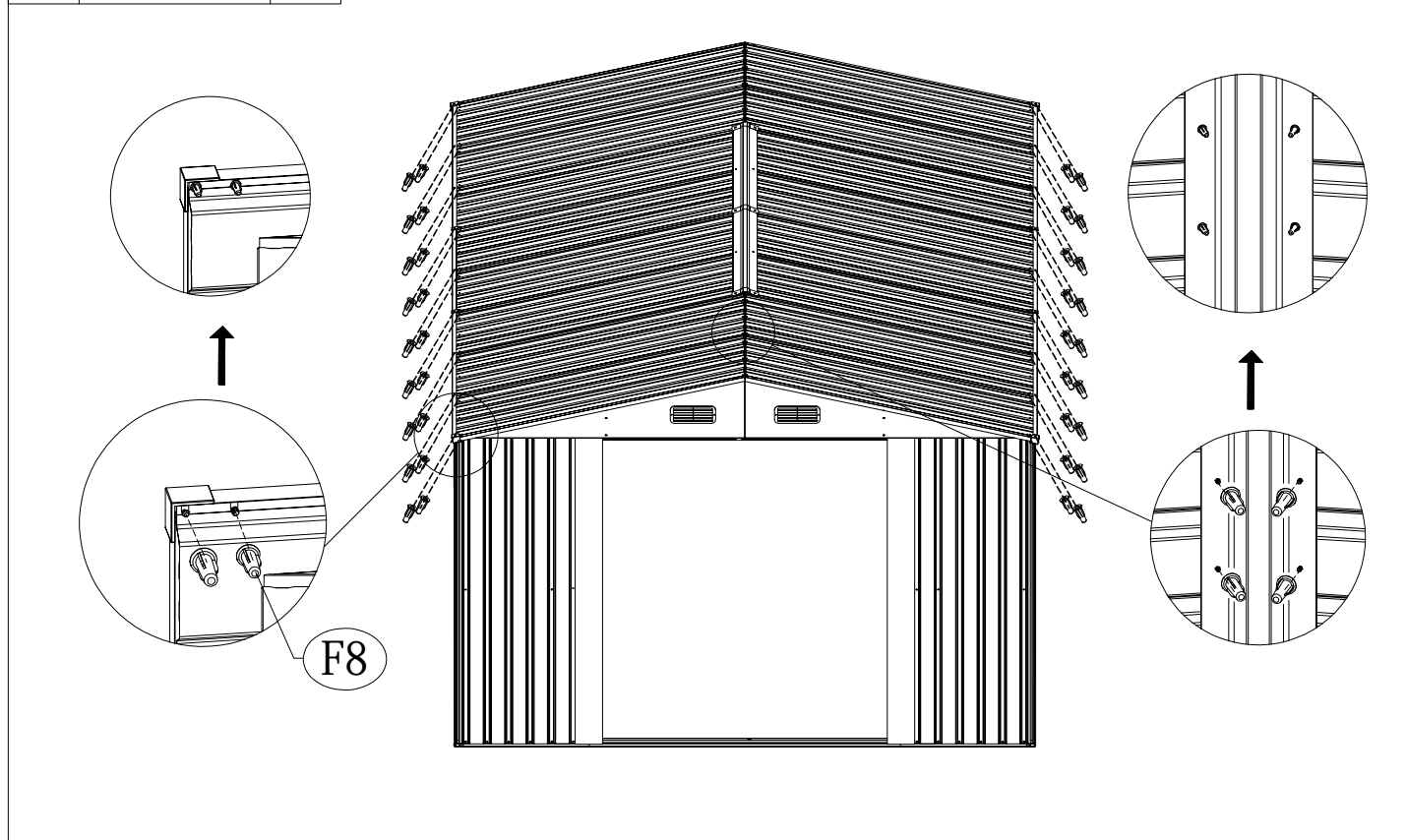
NO.	PART.	Qty.	NO.	PART.	Qty.
W15	 1483.5mm	4	S8		2
S4		34	F18		1
F7		36	18F	 1044mm	1

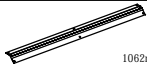





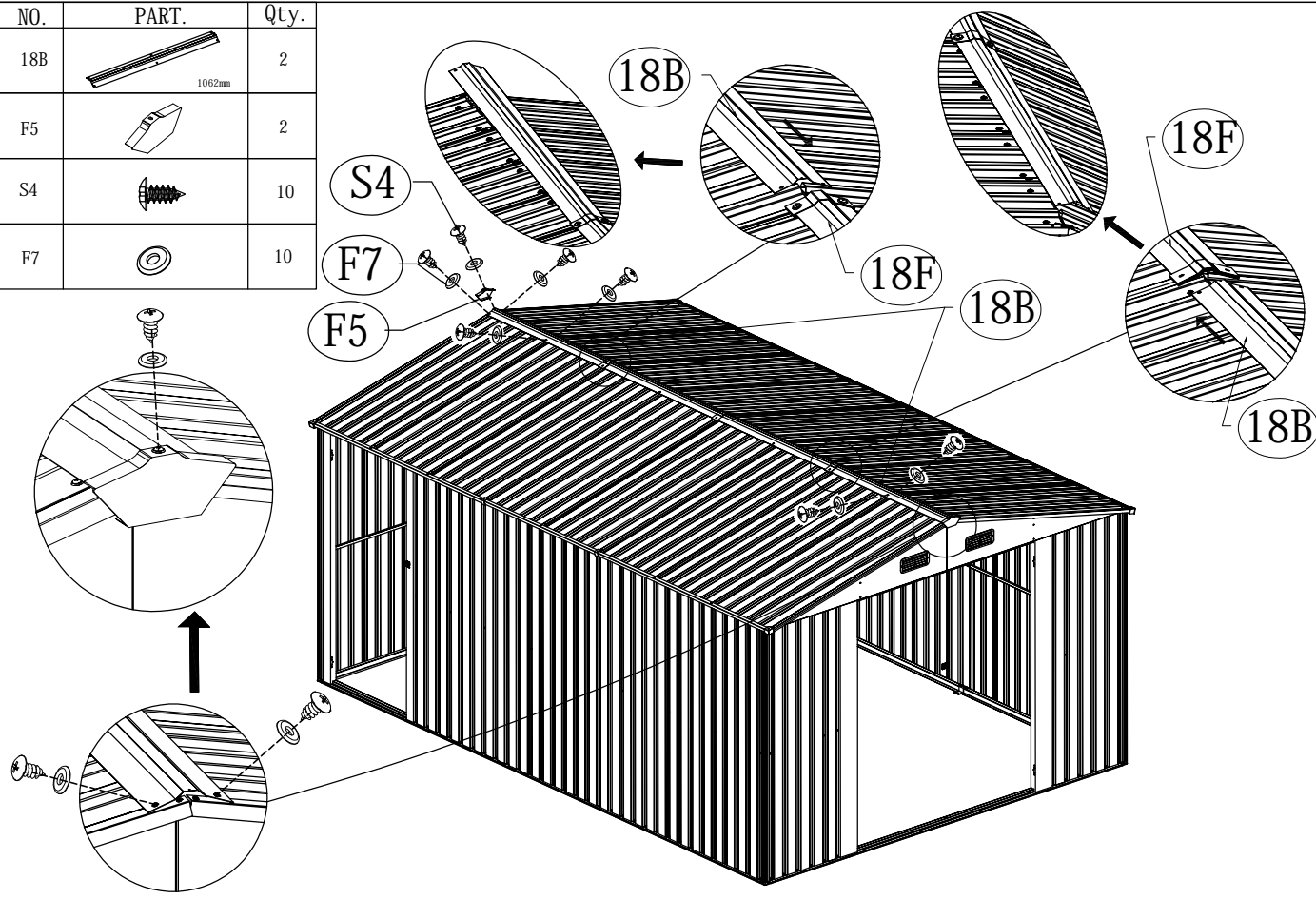
NO.	PART.	Qty.
19L	 1592mm	2
19	 1044mm	2
19R	 1592mm	2
20	 1491.5mm	4
S4		18
S8		8
F4		4
F7		26
F10		4


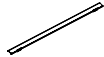
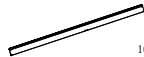




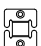


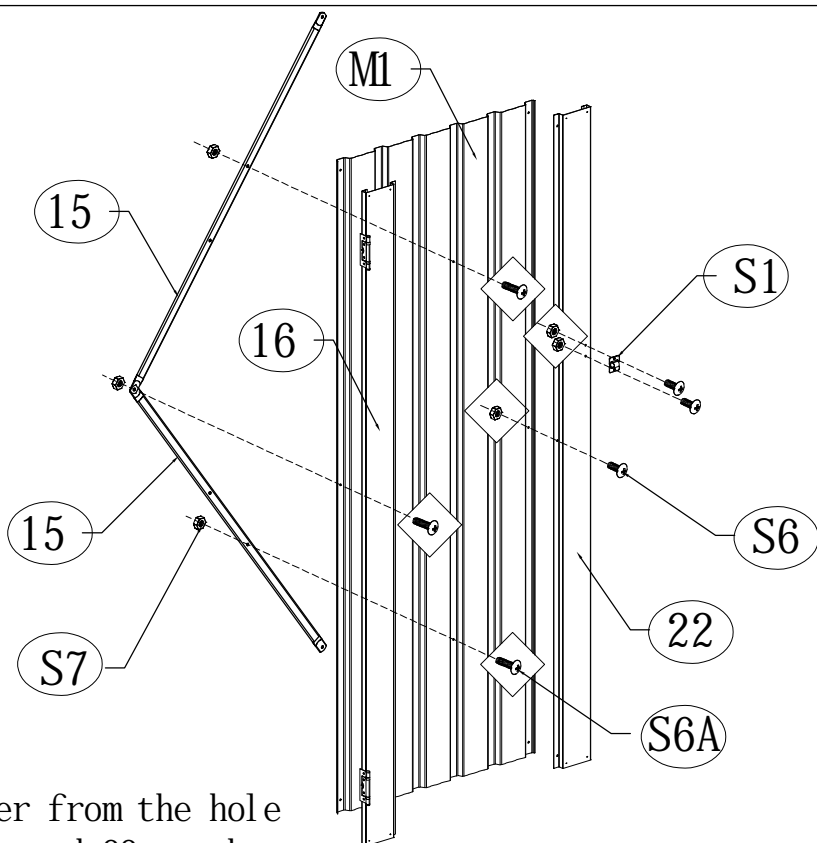
NO.	PART.	Qty.
F8		84





NO.	PART.	Qty.
18B	 1062mm	2
F5		2
S4		10
F7		10

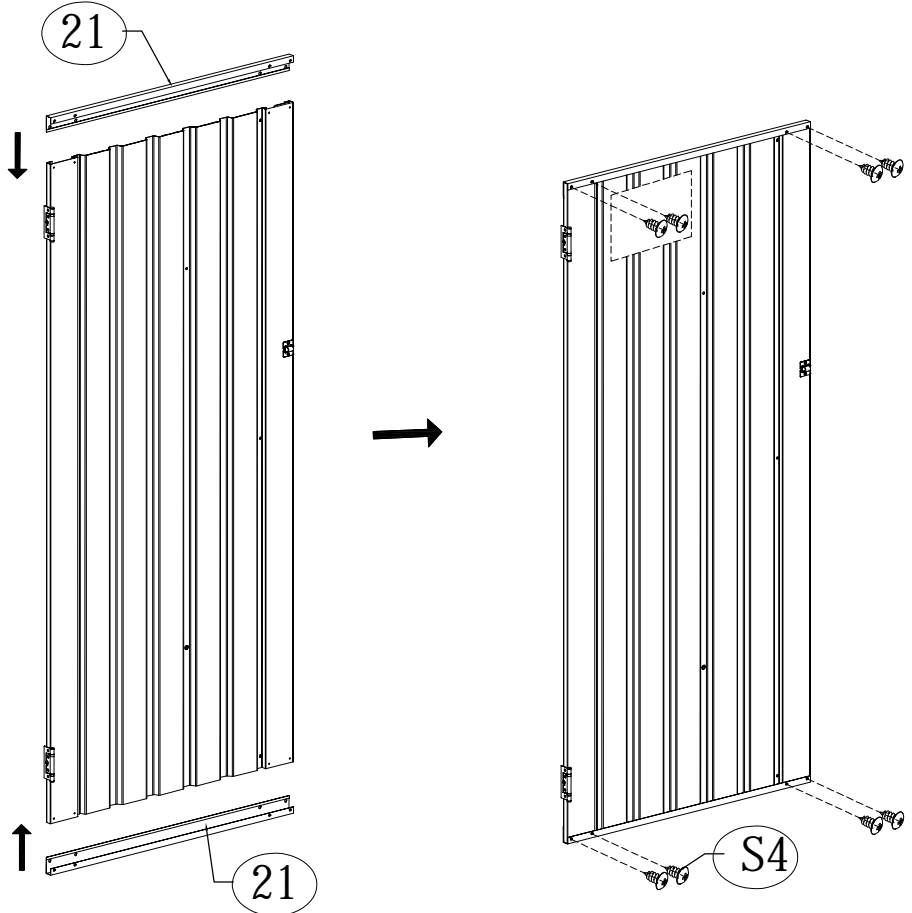



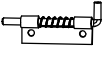
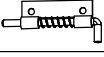



NO.	PART.	Qty.
15	 980.7mm	2
16	 1652mm	1
22	 1652mm	1
M1	 1650mm	1
S6		3
S6A		3
S7		6
S1		1

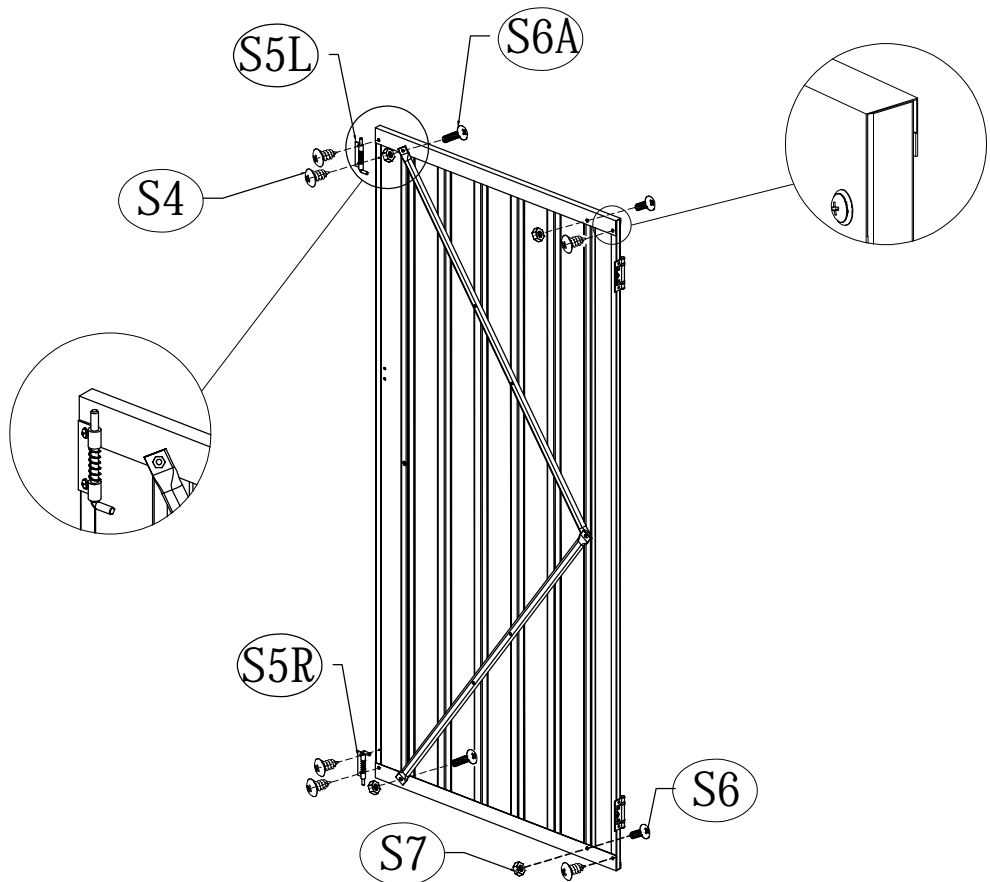



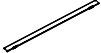


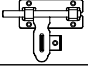
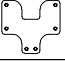



Put 16 on the side farther from the hole in the center of the tile and 22 on the side nearer.

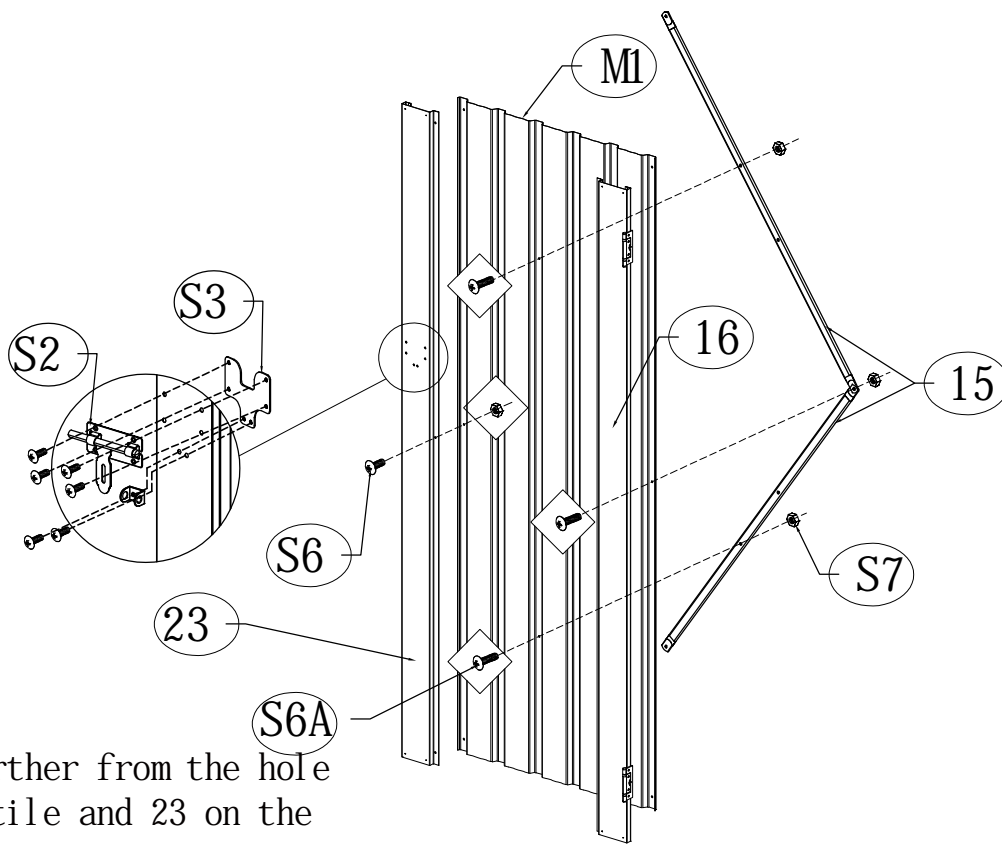
NO.	PART.	Qty.
21	 705mm	2
S4		8





NO.	PART.	Qty.
S4		6
S5L		1
S5R		1
S6		2
S6A		2
S7		4

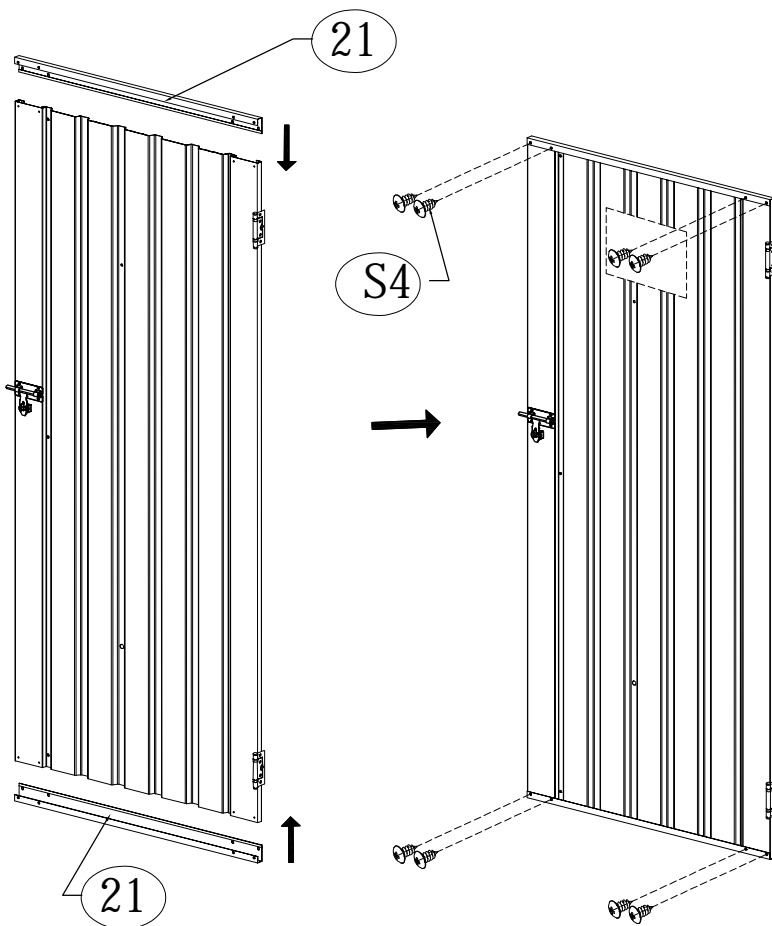






NO.	PART.	Qty.
15	 980.7mm	2
16	 1652mm	1
23	 1652mm	1
M1	 1650mm	1
S2		1
S3		1
S6		7
S6A		3
S7		4

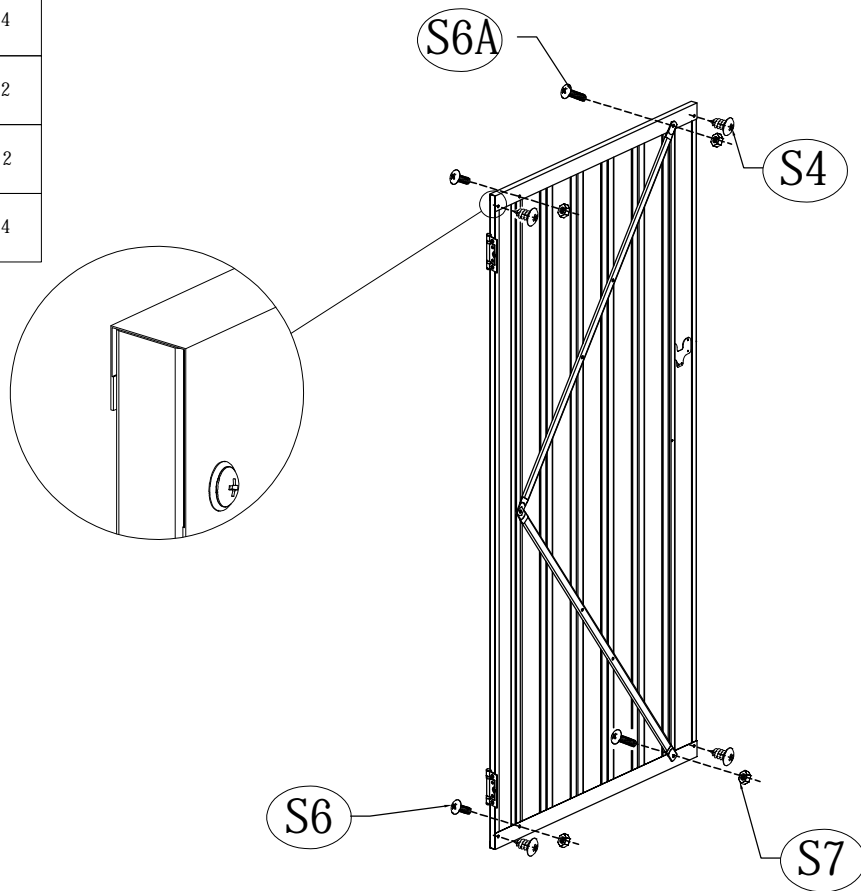



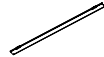


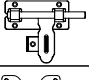
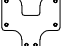



Put 16 on the side farther from the hole in the center of the tile and 23 on the side nearer.

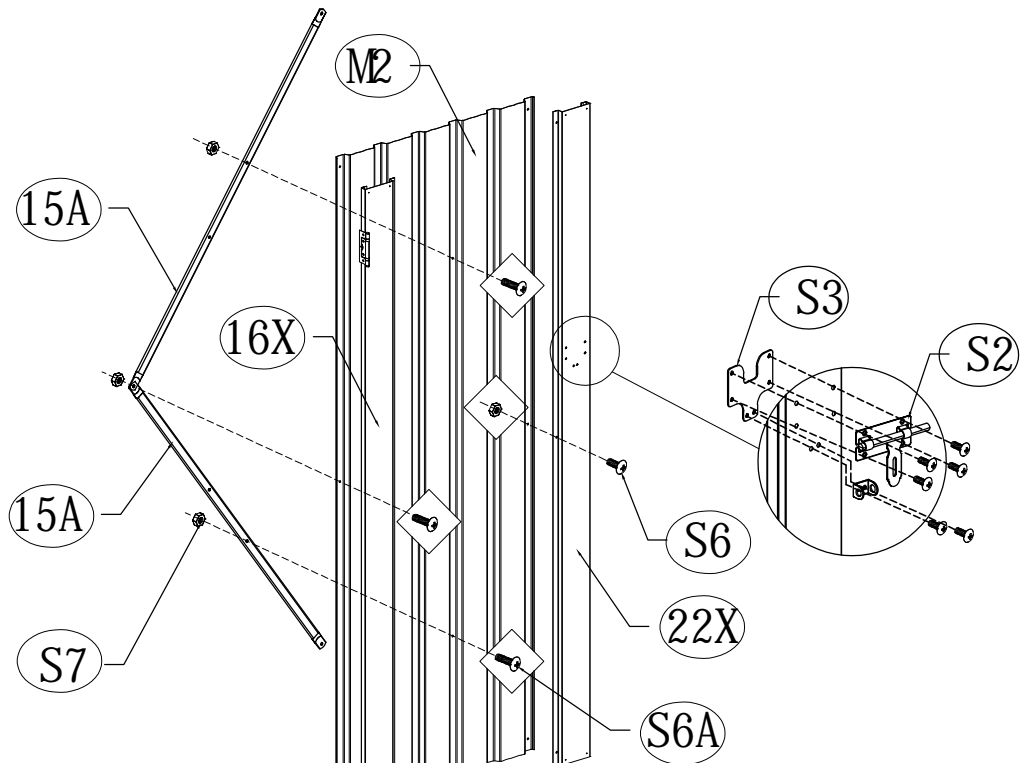
NO.	PART.	Qty.
21	 705mm	2
S4		8





NO.	PART.	Qty.
S4		4
S6		2
S6A		2
S7		4

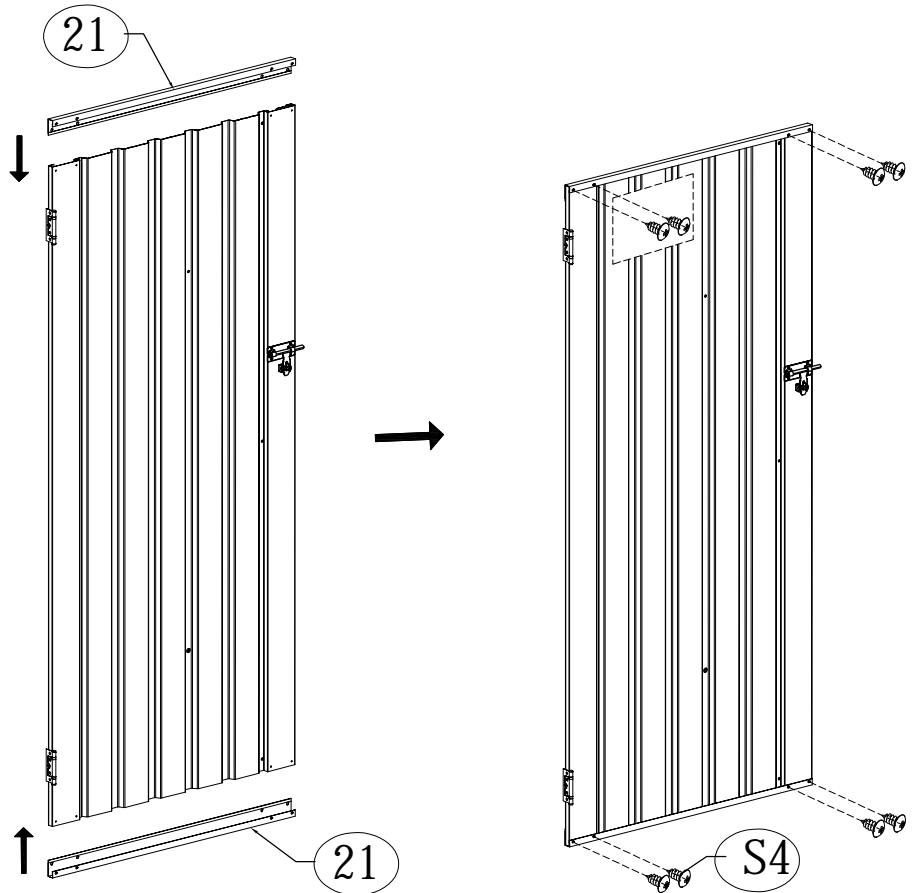






NO.	PART.	Qty.
15A	 976.6mm	2
16X	 1642mm	1
22X	 1642mm	1
M2	 1640mm	1
S2		1
S3		1
S6		7
S6A		3
S7		4

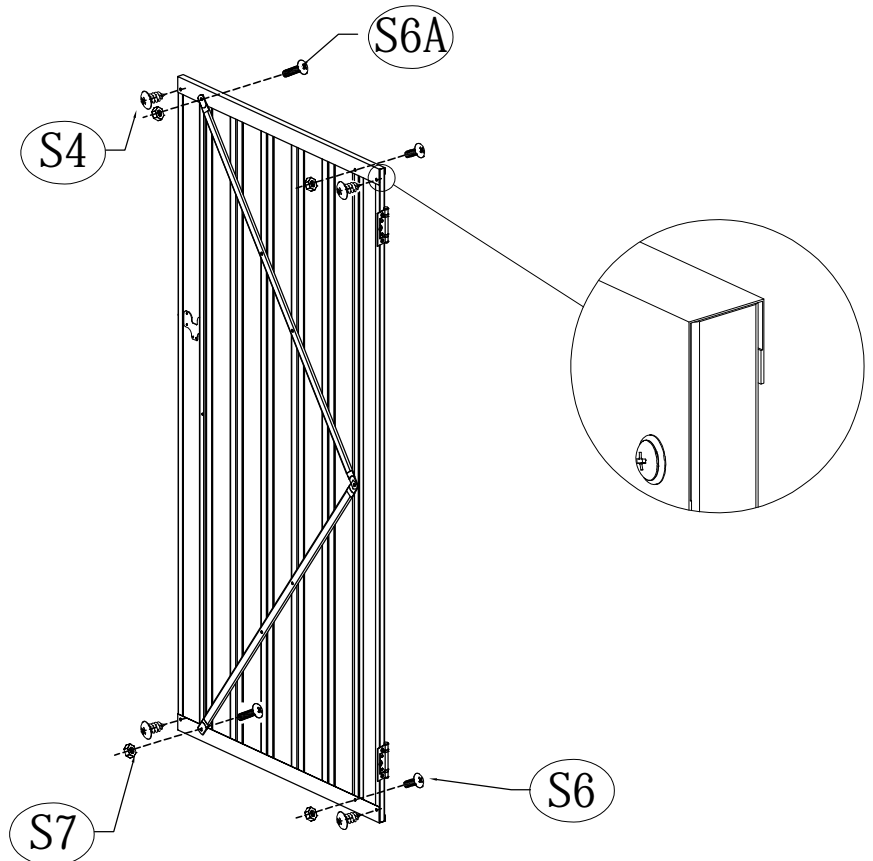



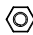

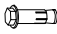
Put 16X on the side farther from the hole in the center of the tile and 22X on the side nearer.

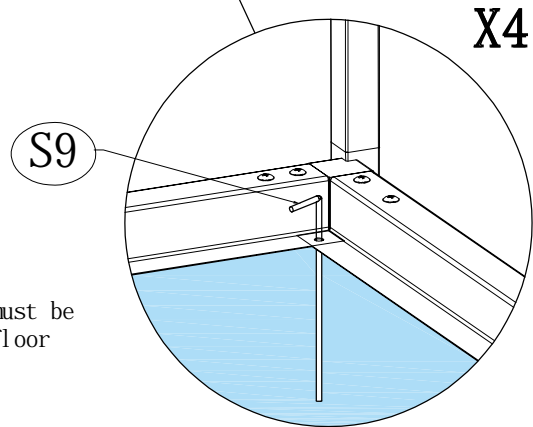
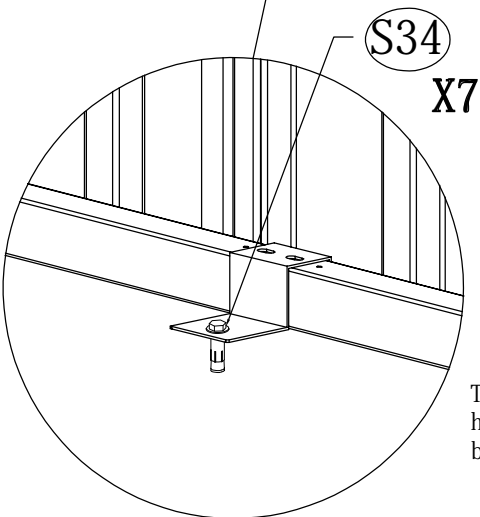
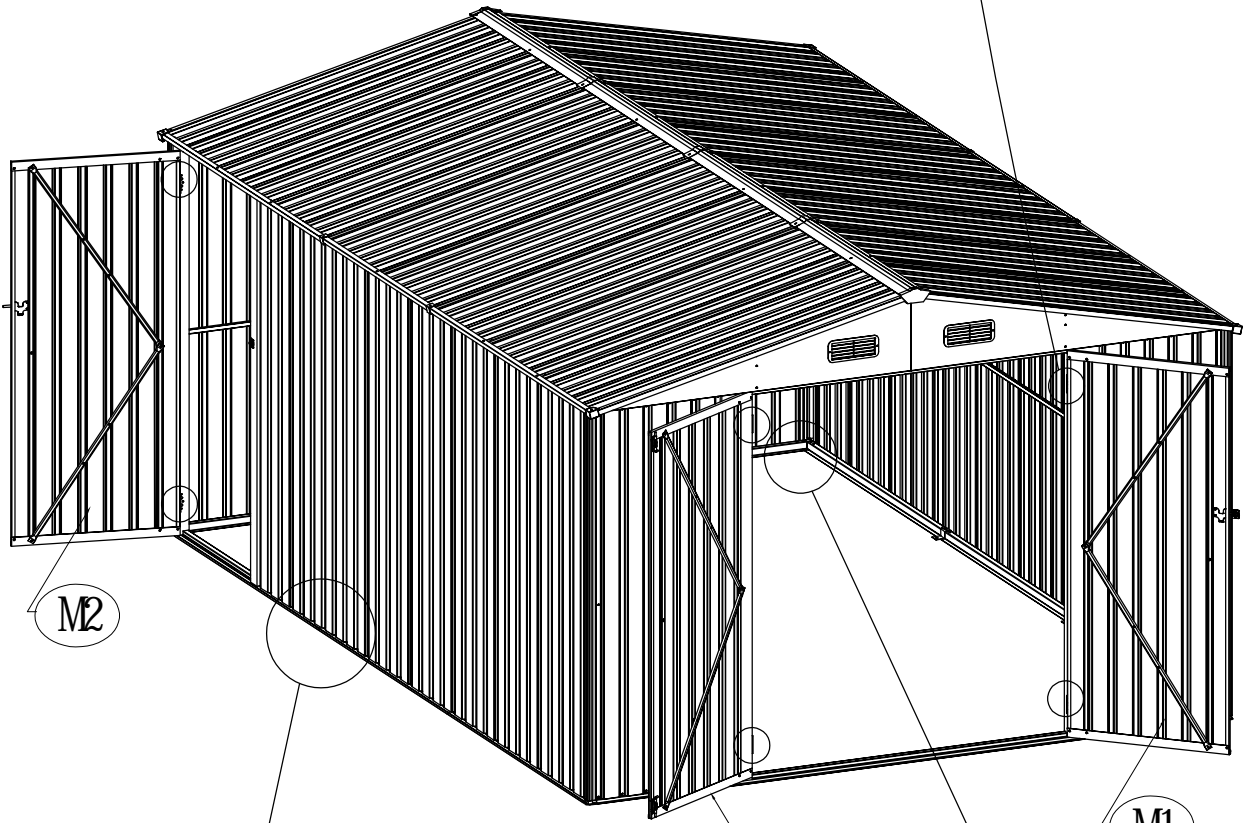
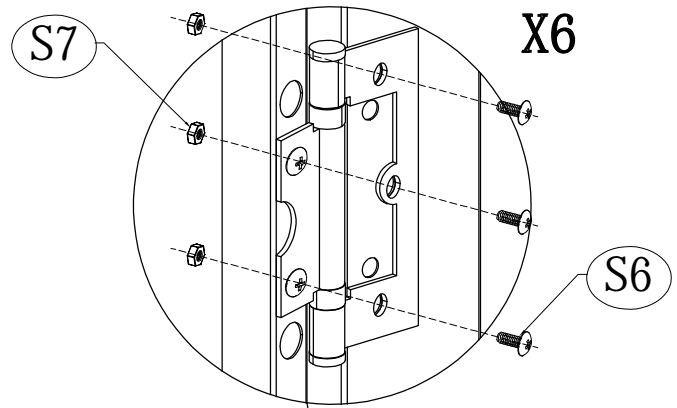
NO.	PART.	Qty.
21	 705mm	2
S4		8



NO.	PART.	Qty.
S4		4
S6		2
S6A		2
S7		4



NO.	PART.	Qty.
S6		18
S7		18
S9		4
S34	 M6X50mm	7



The screws of the M6X50 must be hit at the joint of the floor beam to make it stronger