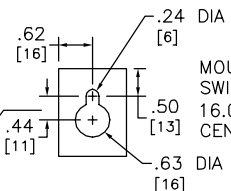
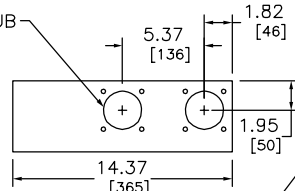
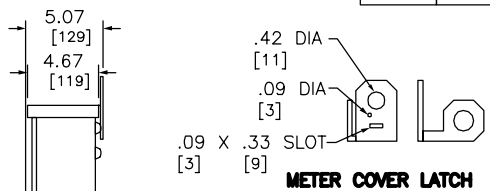
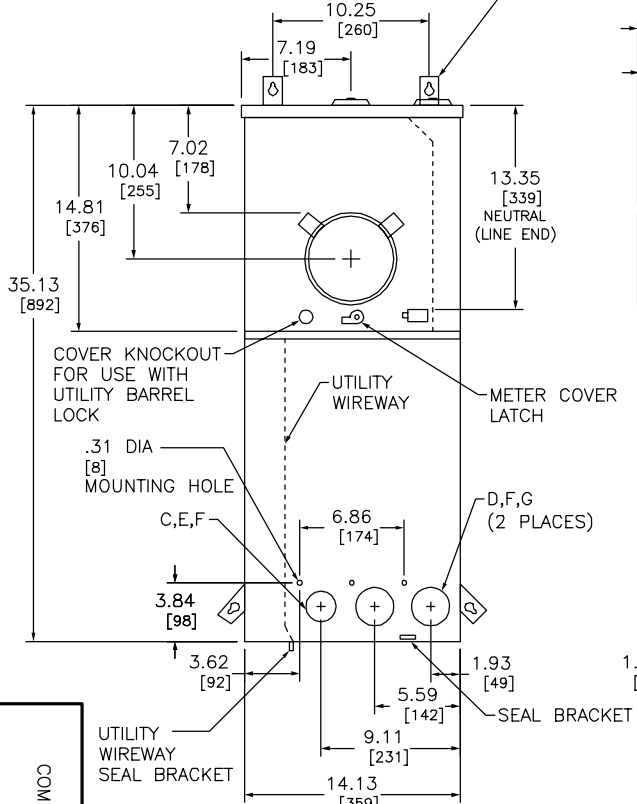


2.50 MAX A HUB [64]  
(2 LOCATIONS) SUPPLIED WITH CLOSING PLATE

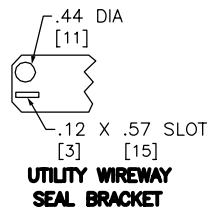


MOUNTING BRACKETS SWING OUT TO 16.00 [406] CENTERS

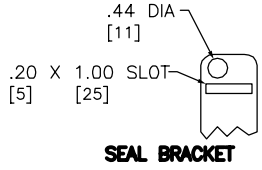
KNOCKOUTS		
SYMBOL	CONDUIT SIZE	
	IN	MM
A	.50	13
B	.75	19
C	1.00	25
D	1.25	32
E	1.50	38
F	2.00	51
G	2.50	64



METER COVER LATCH



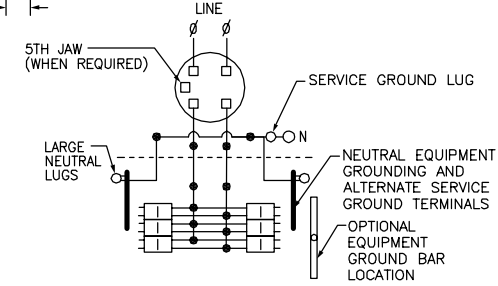
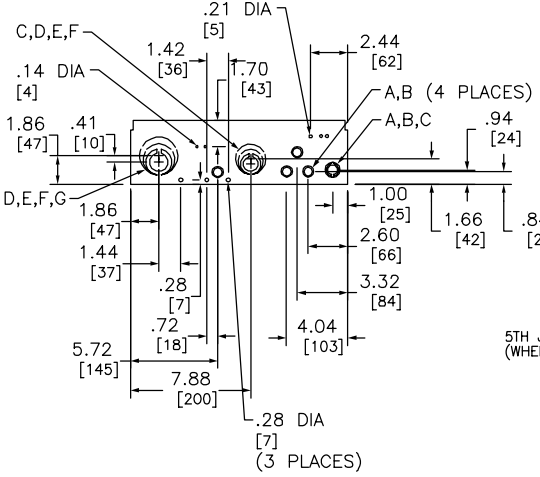
UTILITY WIREWAY SEAL BRACKET



SEAL BRACKET

COMBINATION SERVICE ENTRANCE DEVICES  
RAINPROOF NEMA TYPE 3R ENCLOSURE  
SURFACE ONLY

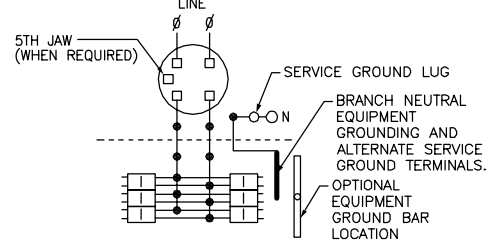
DMG# 1999



TWO POLE TYPE HOM (15-100A) MAY PLUG ON TWO ADJACENT SPACES. TWO POLE TYPE HOMA (150-200A) MAY PLUG ON FOUR ADJACENT SPACES. INSTALL NO MORE THAN SIX CIRCUIT BREAKERS. **USE 15-100A AND 150-200A BRANCH BREAKERS ONLY.**

A SQUARE D UL LISTED SECONDARY SURGE ARRESTER MAY PLUG ON TWO ADJACENT SPACES. ORDER CATALOG NO. HOM2175SB.

RC12L200C  
RC12L200CH



TWO POLE TYPE QO OR QOA (10-100A), TWO POLE TYPE QOC (150-200A). INSTALL NO MORE THAN SIX CIRCUIT BREAKERS. **USE 10-100A AND 150-200A BRANCH BREAKERS ONLY.**

A SQUARE D UL LISTED SECONDARY SURGE ARRESTER MAY PLUG ON TWO ADJACENT SPACES. ORDER CATALOG NO. QO2175SB.

QC12L200C  
QC12L200CH

DUAL DIMENSIONS: INCHES MILLIMETERS

NOTES:  
FINISH - GRAY BAKED ENAMEL POWDER COAT PAINT OVER CLEANED GALVANNEALED STEEL.  
MAXIMUM SYSTEM VOLTAGE: 120/240VAC, 1 Ø 3W 50-60HZ 208Y/120VAC, 1 Ø 3W, 50-60HZ (FROM A 3 Ø 4W SYSTEM)  
UL LISTED - FILE E-6294, VOL. 1  
SUITABLE ONLY FOR USE AS SERVICE EQUIPMENT. INSTALL NO MORE THAN SIX MAIN DISCONNECT MEANS.  
SUITABLE FOR UNDERGROUND/OVERHEAD SERVICE.

MAINS AMPERE RATING	FACTORY INSTALLED BYPASS TYPE	SHORT CIRCUIT CURRENT RATING	CATALOG NUMBER	SERIES	SPACES	MAXIMUM NUMBER OF TWO POLE QO CIRCUITS	MAXIMUM NUMBER OF TWO POLE HOM CIRCUITS	LINE SIDE PHASE & NEUTRAL LUGS AWG/KCMIL	SERVICE GROUND LUG
200	NONE	22K	QC12L200C	M01	12	6	-	#6-350 CU/AL	#14-2/0 CU #12/2/0 AL
	HORN		QC12L200CH						
	NONE	10K	RC12L200C						
	HORN		RC12L200CH						