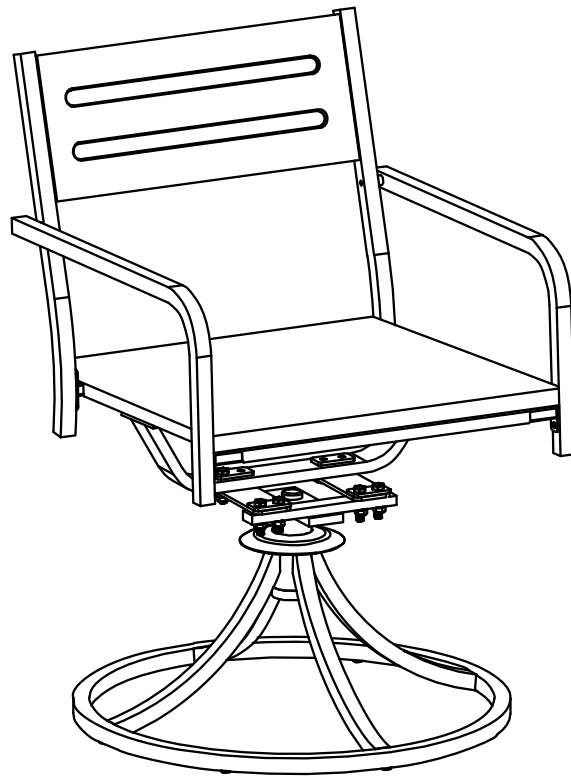
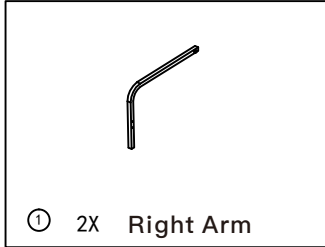


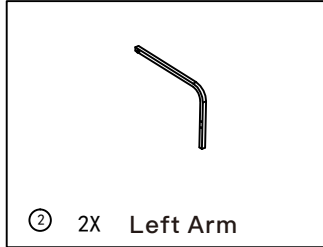
Outdoor Swivel Dining Chairs

ASSEMBLY MANUAL

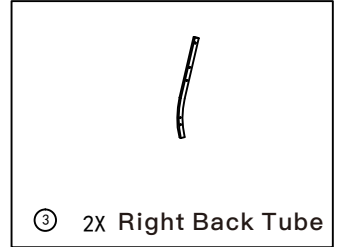




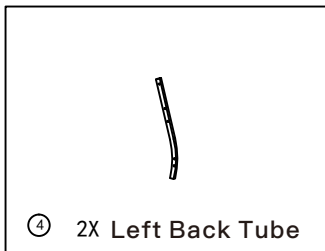
① 2X Right Arm



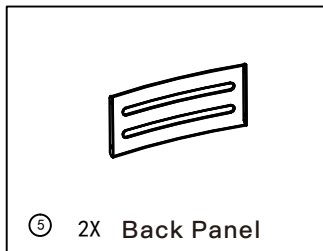
② 2X Left Arm



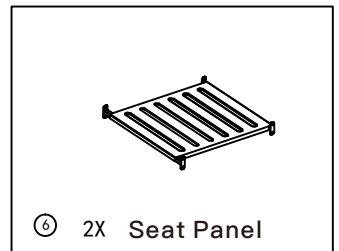
③ 2X Right Back Tube



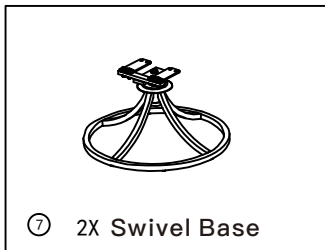
④ 2X Left Back Tube



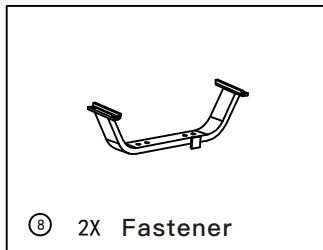
⑤ 2X Back Panel



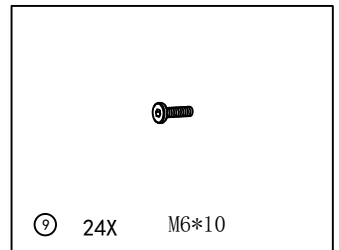
⑥ 2X Seat Panel



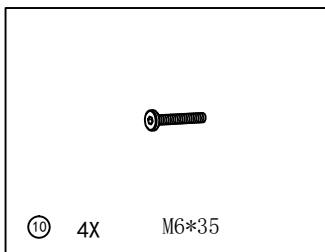
⑦ 2X Swivel Base



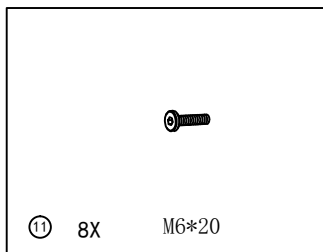
⑧ 2X Fastener



⑨ 24X M6*10



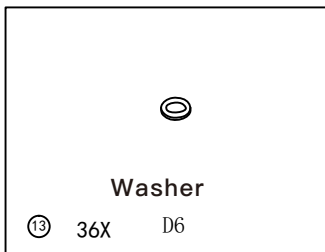
⑩ 4X M6*35



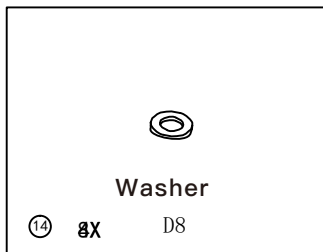
⑪ 8X M6*20



Spring Lock Washer
⑫ 8X D6



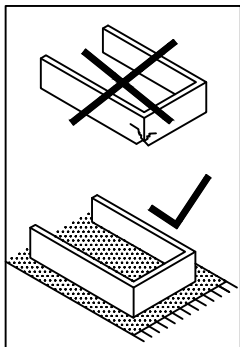
Washer
⑬ 36X D6



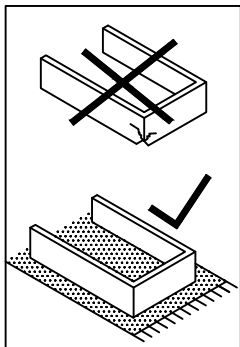
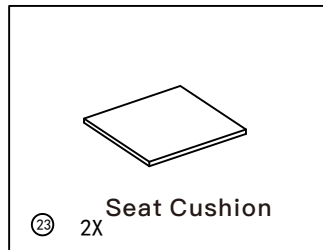
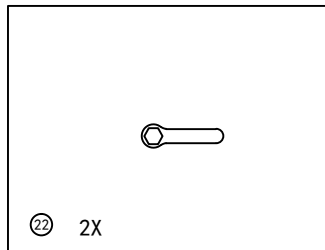
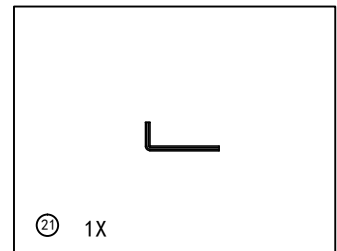
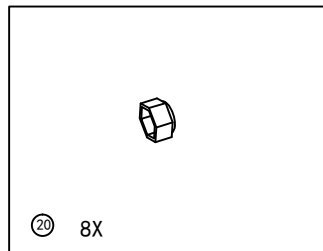
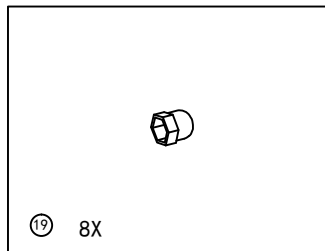
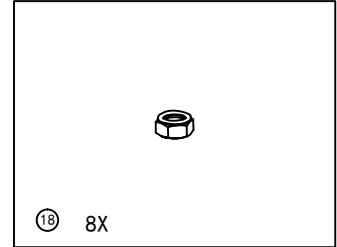
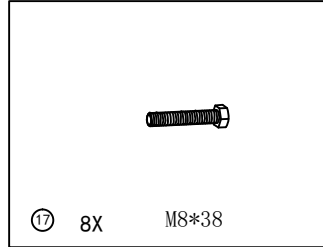
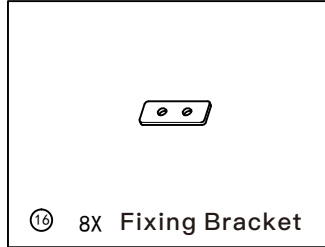
Washer
⑭ 8X D8



Spring Lock Washer
⑮ 8X D8



1



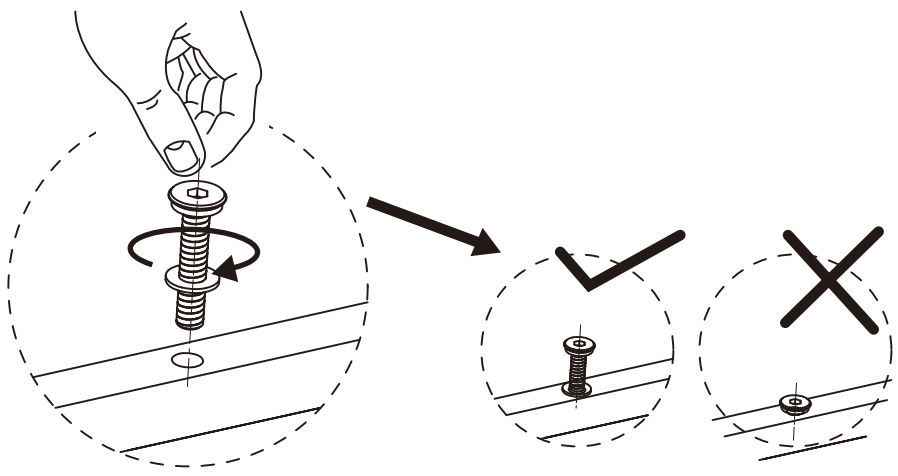
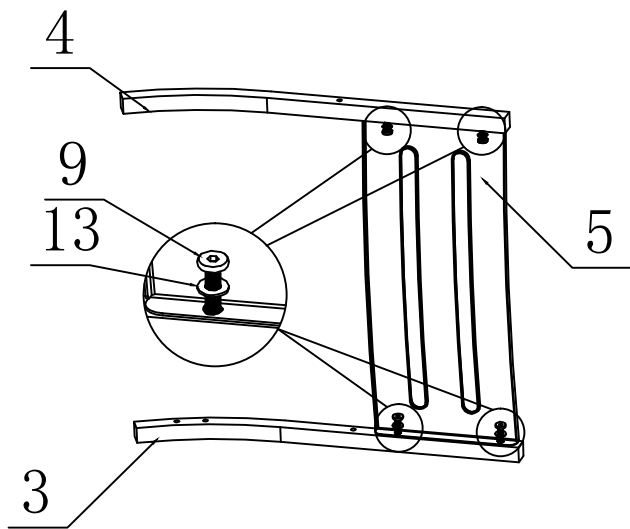
2



READ & SAVE BELOW INSTRUCTIONS BEFORE ASSEMBLY







1. PLEASE SEPARATE AND IDENTIFY ALL PARTS, MAKING SURE THAT YOU HAVE ALL OF THE PARTS LISTED.
2. TO AVOID ANY SCRATCH DURING ASSEMBLY, PLEASE ASSEMBLE ON A SOFT MAT OR SIMILAR.
3. PLEASE ASSEMBLE STEP BY STEP AND FOLLOW THE INSTRUCTIONS.
4. WASHERS MUST BE USED.
5. WHILE EACH SCREW AND NUT IS PROPERLY FASTENED, DO NOT OVER FASTEN IT.
6. DO NOT COMPLETELY FASTEN EACH SCREW AND NUT UNTIL ALL THE SCREWS ARE PROPERLY FIXED.

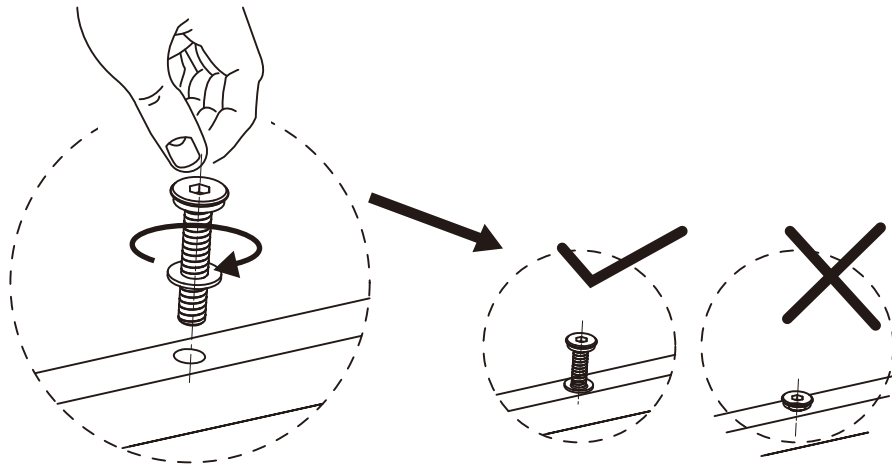
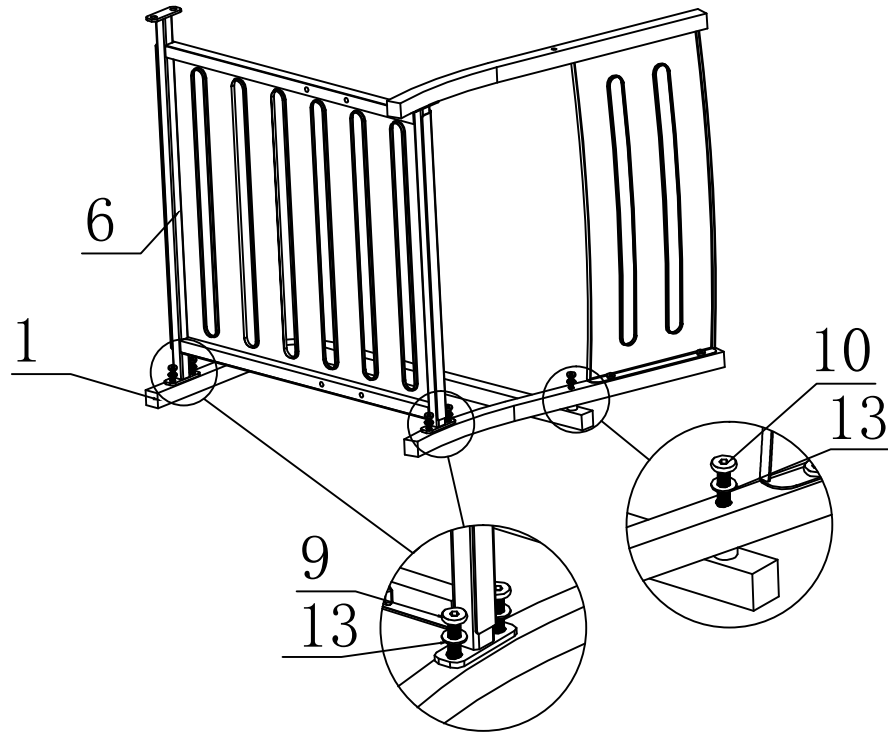
- ③ 1X
- ④ 1X
- ⑤ 1X
- ⑨ 4X M6*10
- ⑬ 4X
- ⑳ 1X



Attach the Left Back Tube #4 & Right Back Tube #3 to the Back Panel #5 by securing with 4 M6*10 Bolts #9 and Washers #13.






NOTE:DO NOT TIGHTEN THE BOLTS COMPLETELY.

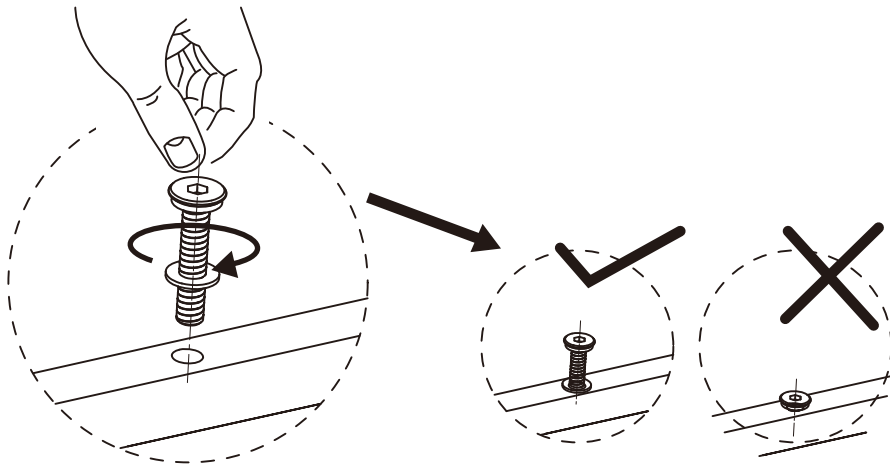
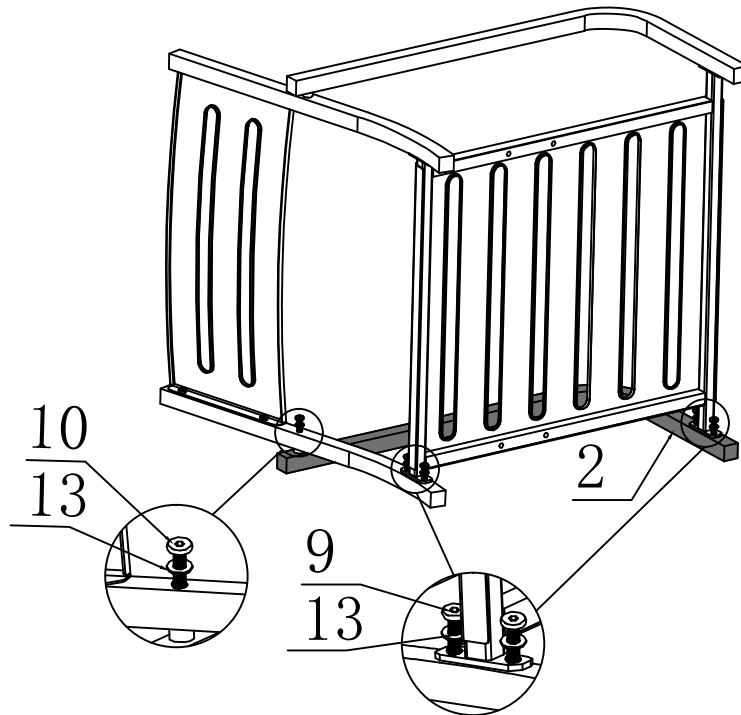
- ① 1X 
- ⑥ 1X 
- ⑨ 4X M6*10 
- ⑩ 1X M6*35 
- ⑬ 5X 
- ⑳ 1X 



Attach the Right Arm #1 to the Right Back Tube by securing with 1 M6*35 Bolt #10 and Washer #13; Attach the Seat Panel #6 to the Right Back Tube by securing with 2 M6*10 Bolts #9 and Washers #13; Attach the Seat Panel #6 to the Right Arm #1 by securing with 2 M6*10 Bolts #9 and Washers #13.

NOTE:DO NOT TIGHTEN THE BOLTS COMPLETELY.

- ② 1X 
- ⑨ 4X M6*10 
- ⑩ 1X M6*35 
- ⑬ 5X 
- ⑳ 1X 



Attach the Left Arm #2 to the Left Back Tube by securing with 1 M6*35 Bolt #10 and Washer #13; Attach the Seat Panel #6 to the Left Back Tube by securing with 2 M6*10 Bolts #9 and Washers #13; Attach the Seat Panel #6 to the Left Arm #2 by securing with 2 M6*10 Bolts #9 and Washers #13.

NOTE:DO NOT TIGHTEN THE BOLTS COMPLETELY.



⑧ 1X



⑪ 4X M6*20



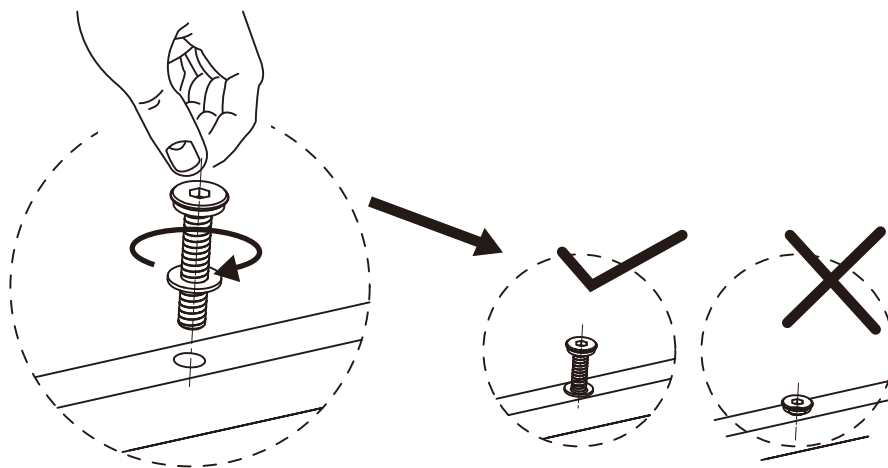
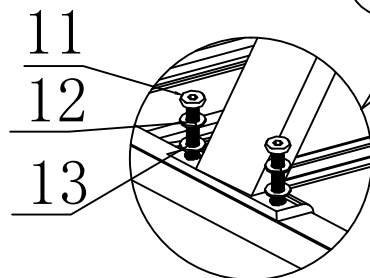
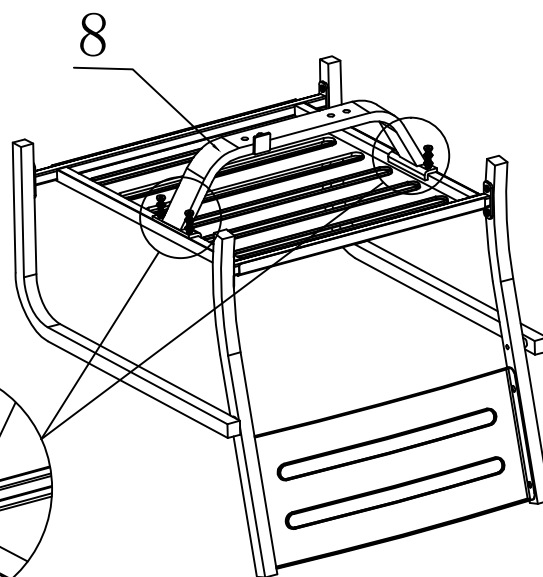
⑫ 4X



⑬ 4X






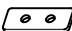


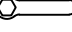
⑰ 1X

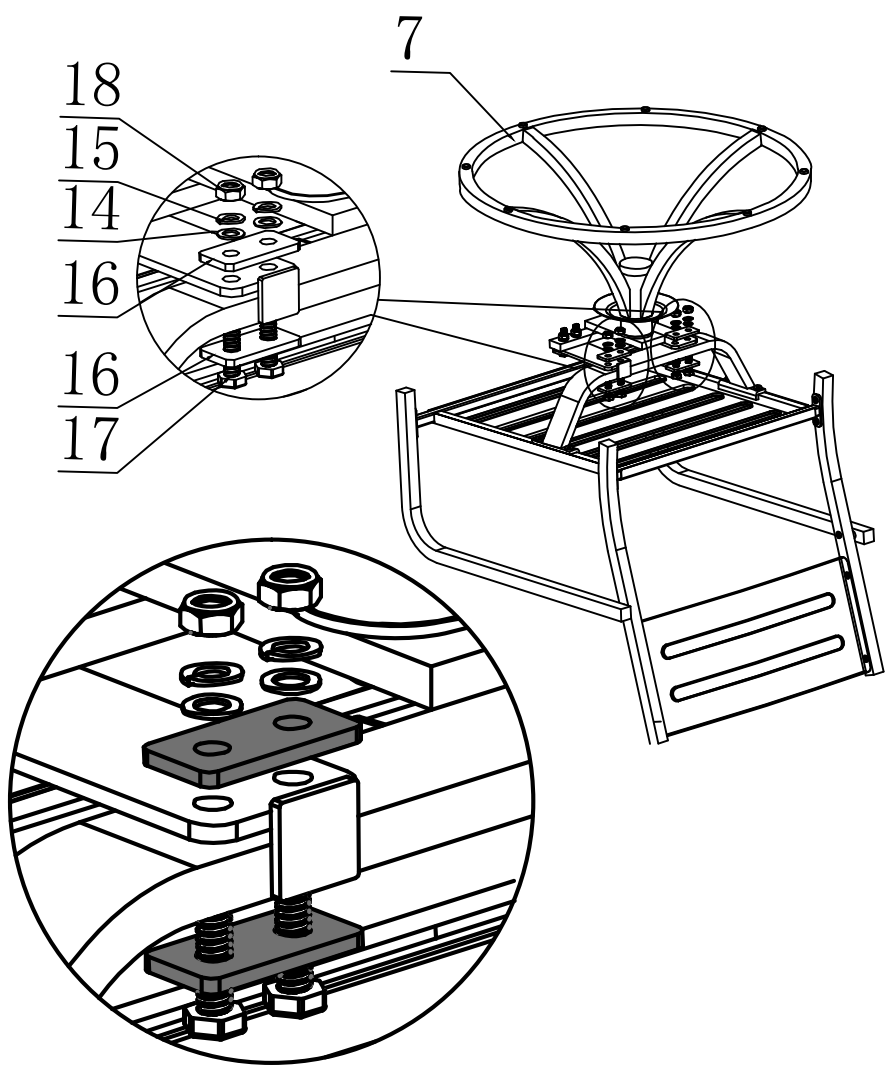


Use 4 M6 x 20 Bolts #11, 4 Spring Washers #12 and 4 Washers #13 to secure the Fastener #8 to the Seat Panel.

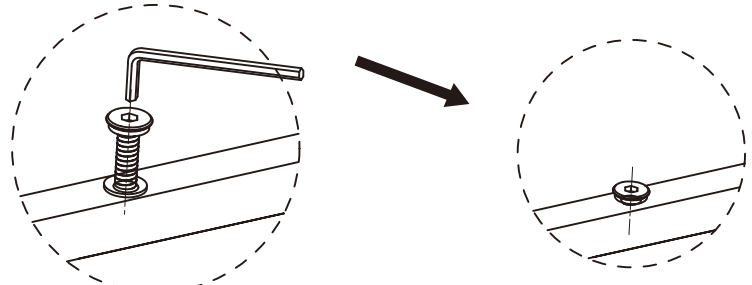
(Spring Washer #12 should be placed between Bolt #11 and the Washer #13.)

NOTE:DO NOT TIGHTEN THE BOLTS COMPLETELY.

⑦	1X	
⑭	4X	
⑮	4X	
⑯	4X	
⑰	4X M8*38	
⑱	4X	
⑳	2X	



Step 1: Place the Base #7 on the Fastener #8;
 Step 2: Use 2 Fixing Brackets #16, 2 Washers #14, 2 Spring Washers #15 and 2 Nuts #18 to secure the Base to the Fastener.
 (Please be aware of the installation position of the Brackets and Washers)
 Repeat Step 2 to assemble another side.



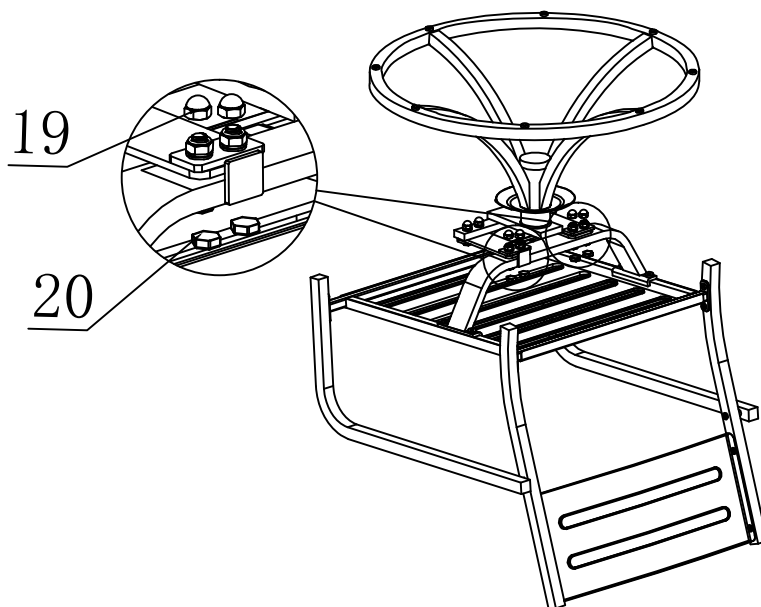
Tighten all the Bolts into Place.



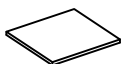
①9 4X



②0 4X

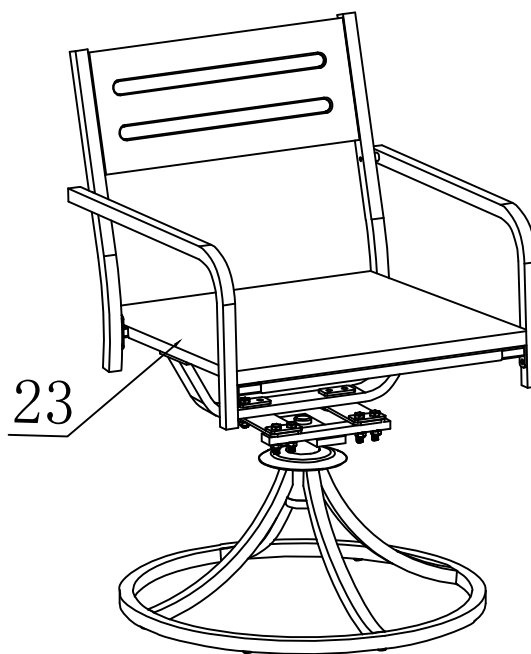


Cover the Plastic Cap #19 on the Nuts;
Cover the Plastic Cap #20 on the Bolts.



(23)

1X



Place Seat Cushion #23 on the Seat Panel.

**NOTE: IF ANY SCREW HOLES CANNOT BE ALIGNED,
LOOSEN ALL THE SCREWS AND GO BACK TO THE
FIRST STEP AND RESTART ASSEMBLY.**