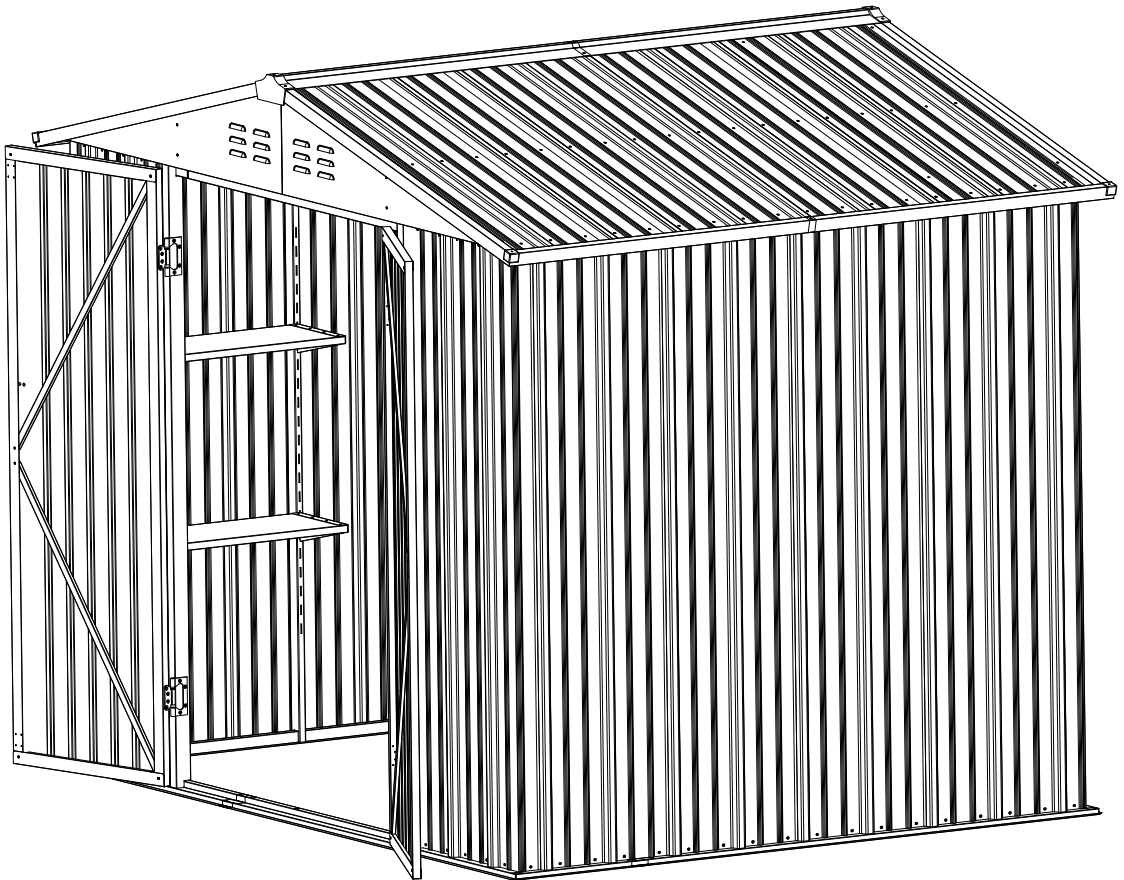


8*6 FT Metal Garden Shed

Instructions for Assembly

WF297852+WF297853















Requires two people and takes 2-3 hours for Installation.

You will receive TWO separate boxes for this product to be fully assembled. Please make sure all boxes arrived in good condition before assembling. It happens sometimes when boxes arrive separately due to postponed carrier's shipping, and your patience is really appreciated! You can also reach out to at any time at customerservice@veikous.com for any questions!

6'x8' Storage Shed 1/2

WF297852






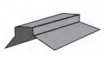









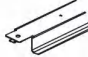
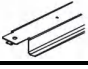
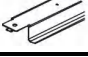


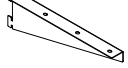
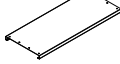
NO	PART	QTY
DRA		1
DLA		1
DX2		4
ULA		1
UR1		1
UE1		1
UE2		1

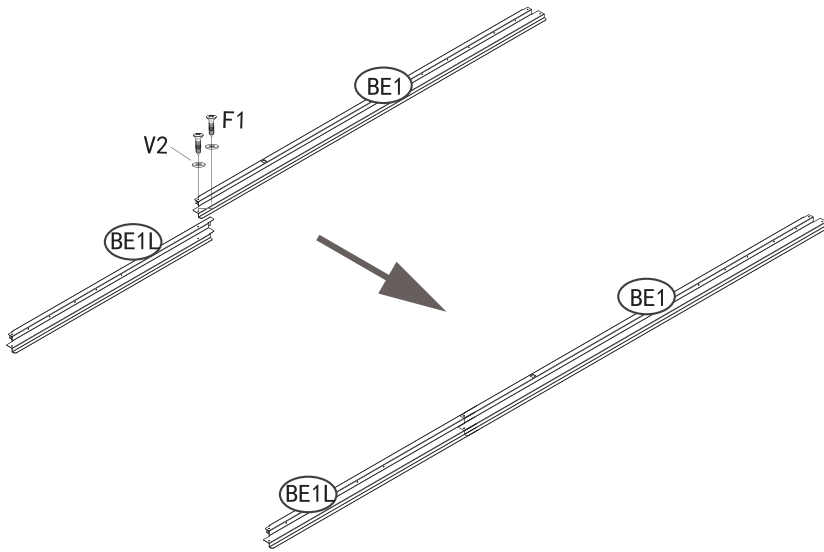
NO	PART	QTY
WS2A		4
W1A		12
WS3A		2
20		4
27		2

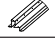
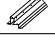


6'x8' Storage Shed 2/2

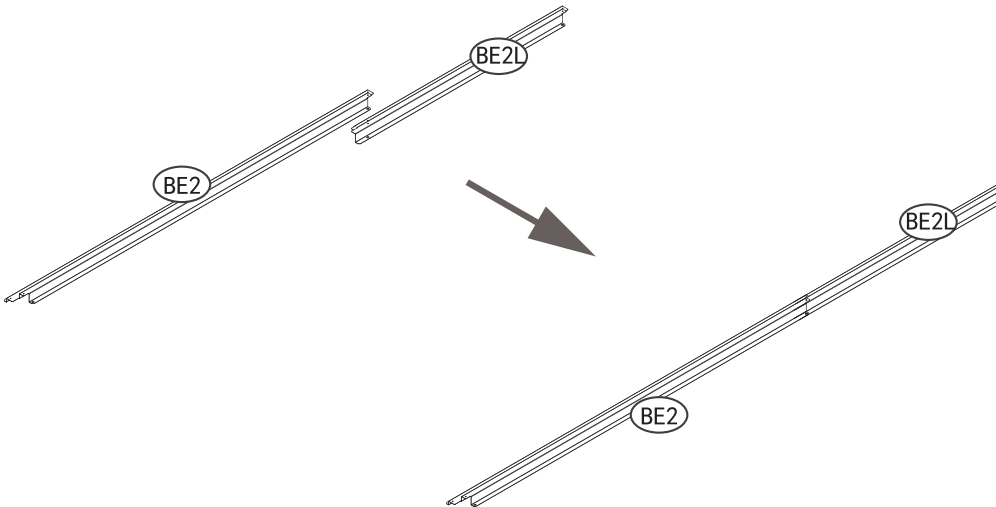
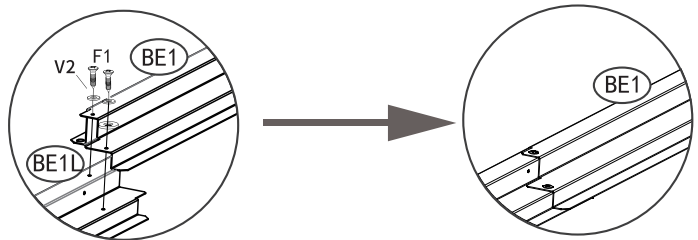
WF297853

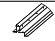
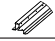
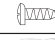

NO	PART	QTY
A3		2
A4		2
BE1		1
BE1L		1
BE2		1
BE2L		1
BS3		2
BS3L		2
C5		4
C4R		2
C4L		2
C2		4
DC		2
DH		4
F1		345
F2		48
F3		32
GC		4
GE		2
GS		2
GR		2

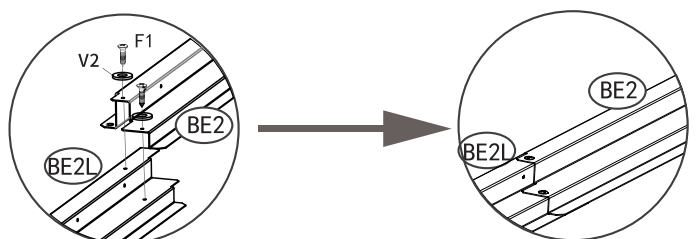
NO	PART	QTY
M2		4
M2L		4
M9		2
M10		2
M11		4
M13		2
PE3		2
PE4		4
PE5		2
PE6		2
UE1L		1
UE2R		1
US3		4
V1		105
V2		305
W1		4
W2		4
W3		2
W5		2
9L		2
9R		2
19		2

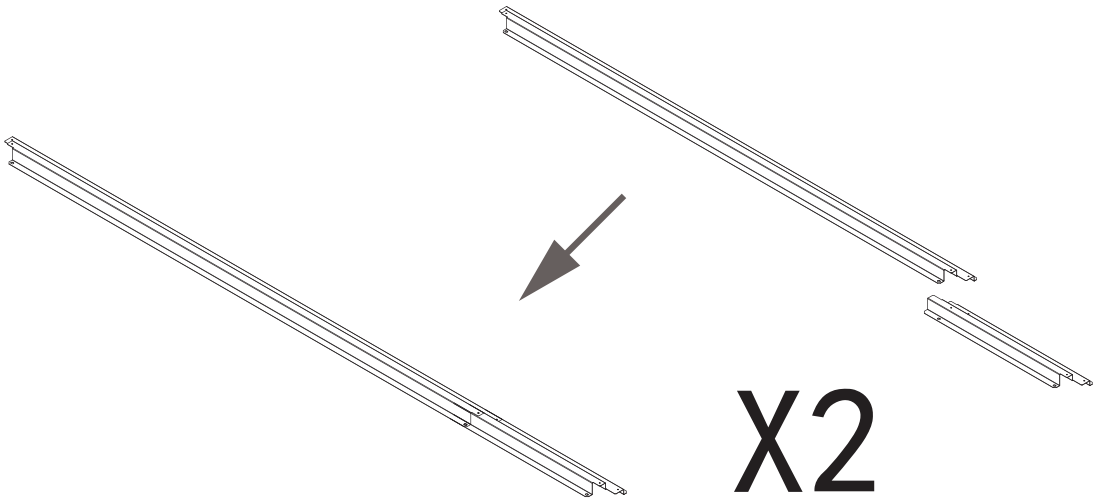



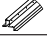

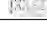
PART	NO.	Qty.
	BE1	1
	BE1L	1
	F1	2
	V2	2

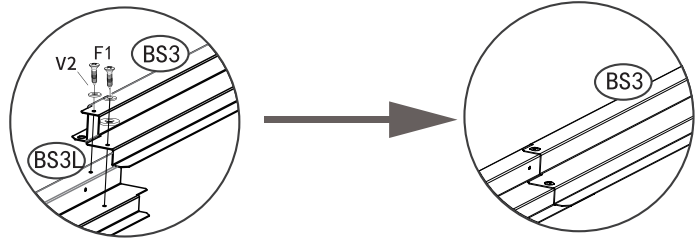




PART	NO.	Qty.
	BE2	1
	BE2L	1
	F1	2
	V2	2

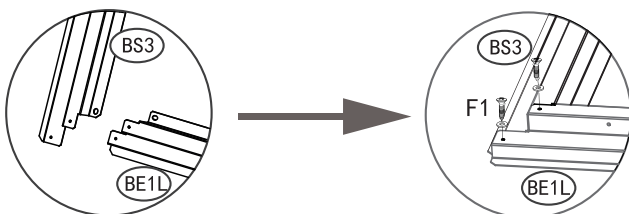
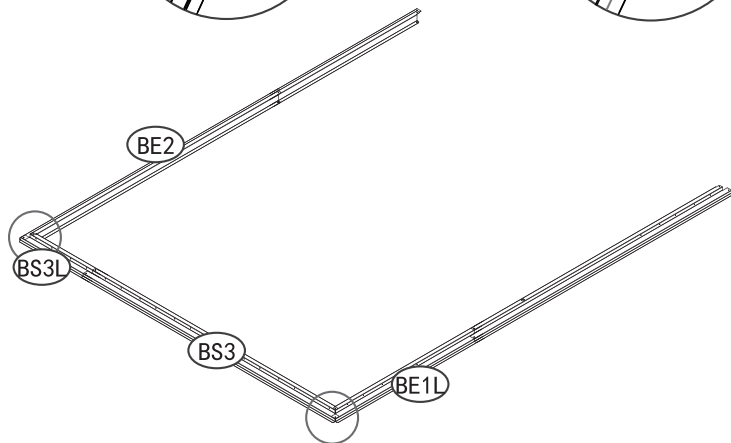
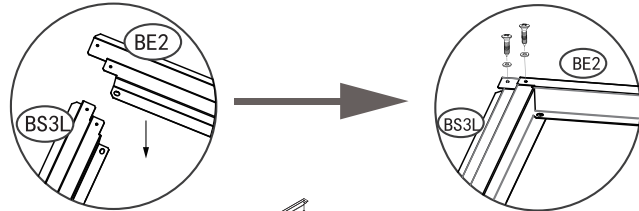


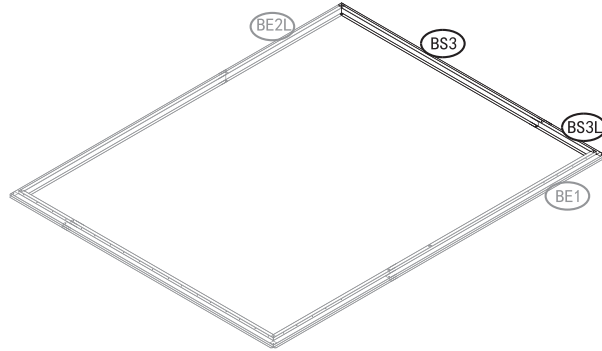
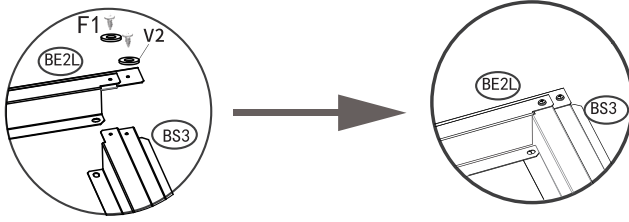




PART	NO.	Qty.
	BS3	2
	BS3L	2
	F1	4
	V2	4

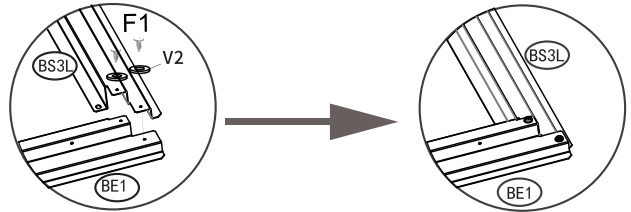





PART	NO.	Qty.
	F1	4
	V2	4

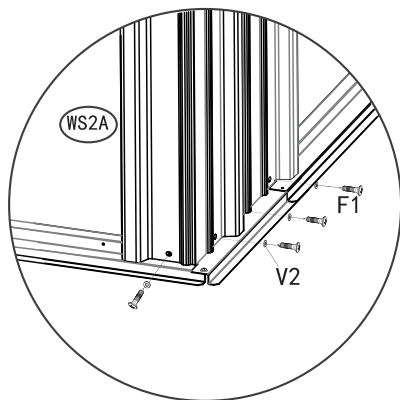
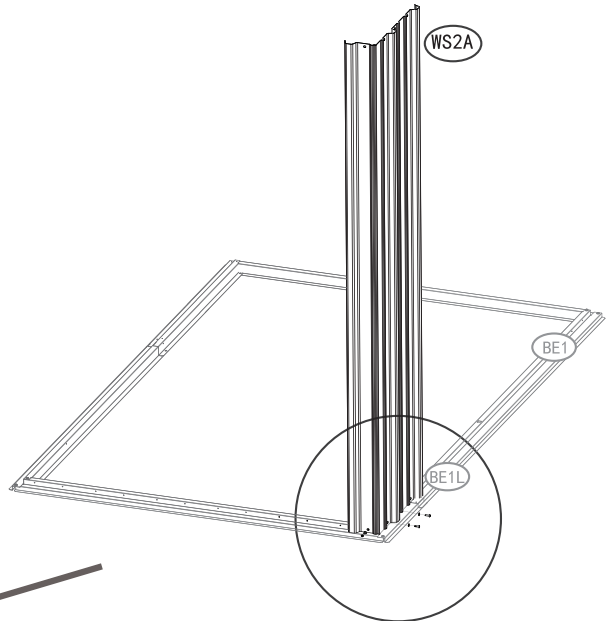







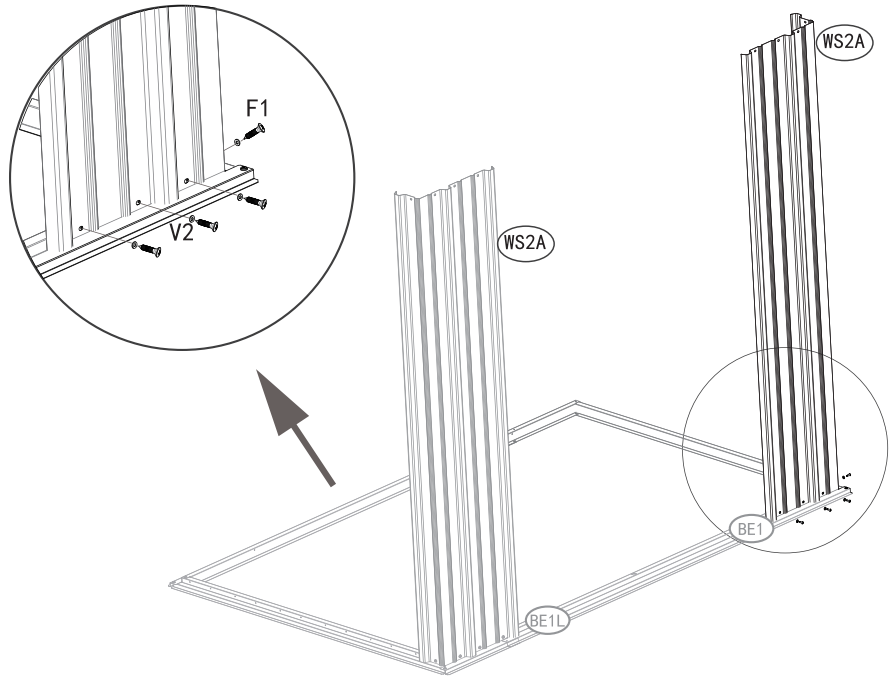
PART	NO.	Qty.
	F1	4
	V2	4






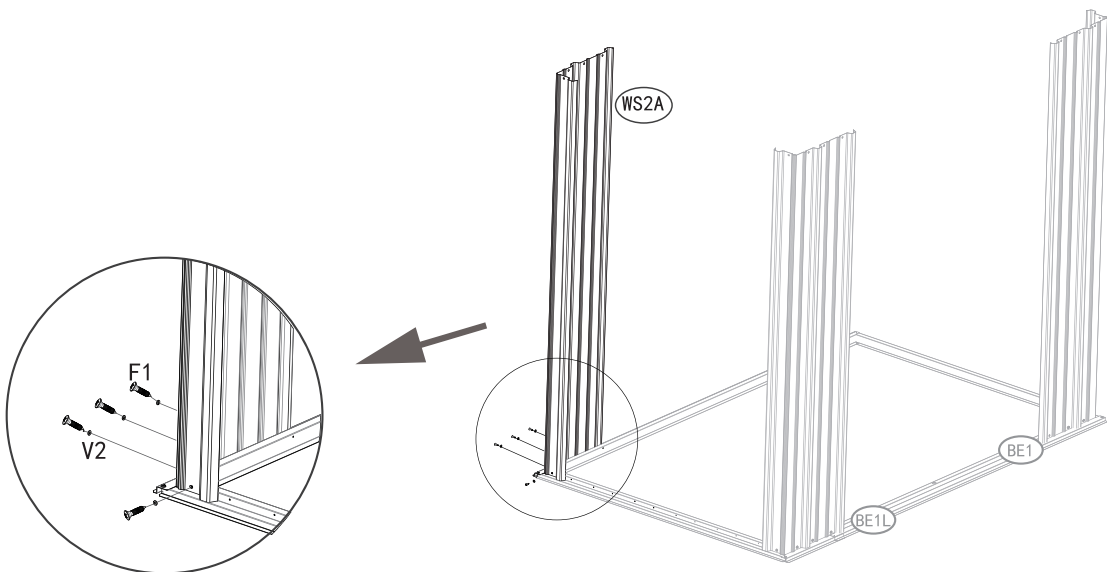
PART	NO.	Qty.
	WS2A	1
	F1	4
	V2	4

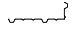




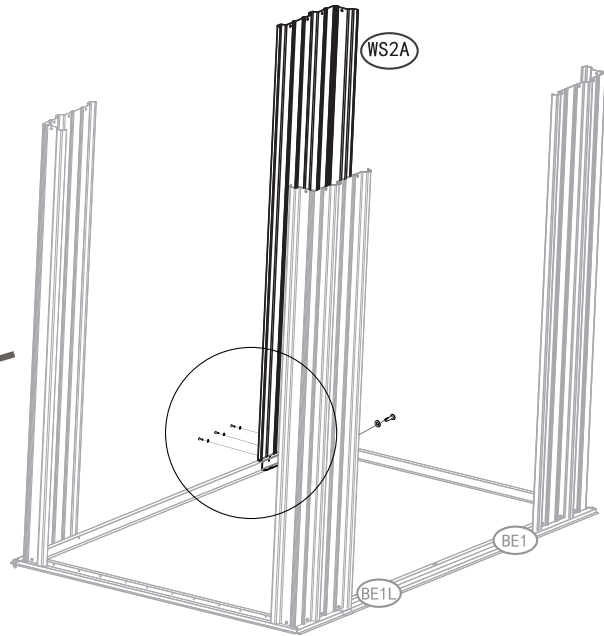
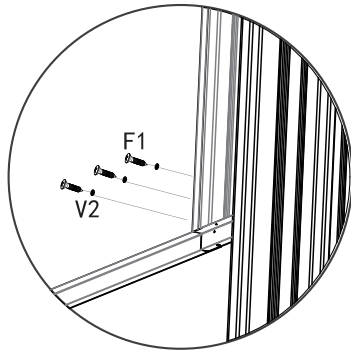
PART	NO.	Qty.
	WS2A	1
	F1	4
	V2	4







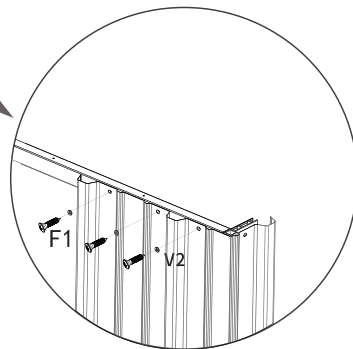
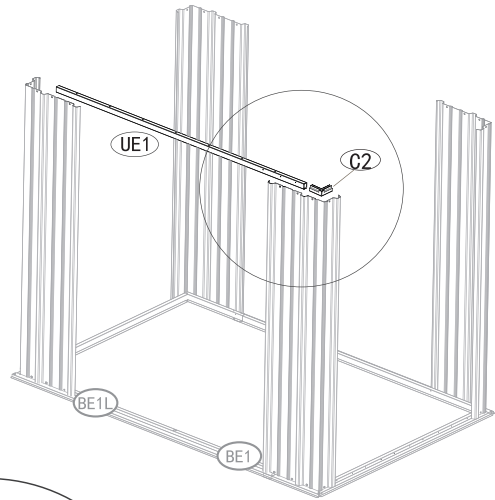
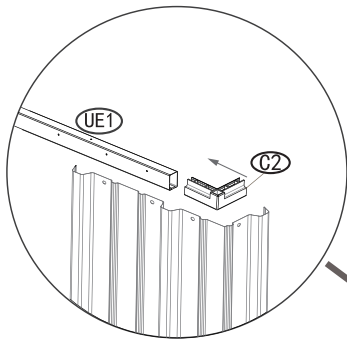
PART	NO.	Qty.
	WS2A	1
	F1	4
	V2	4








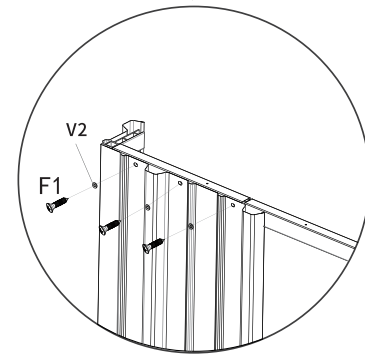
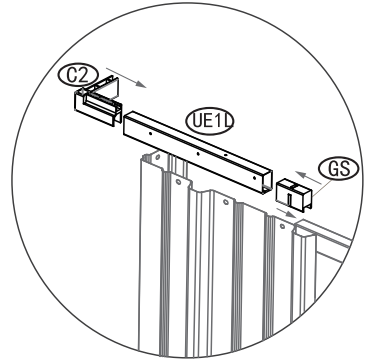
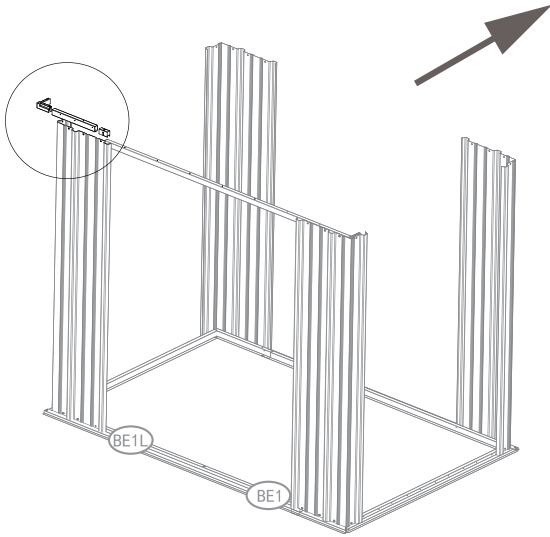
PART	NO.	Qty.
	WS2A	1
	F1	4
	V2	4







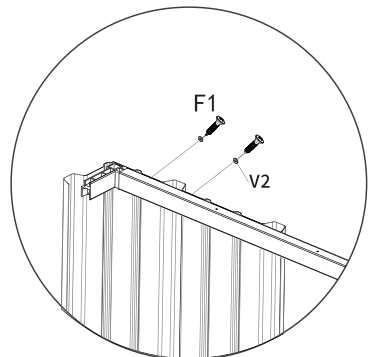
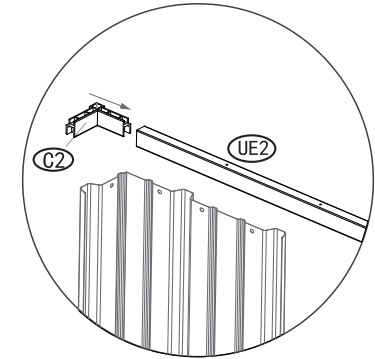
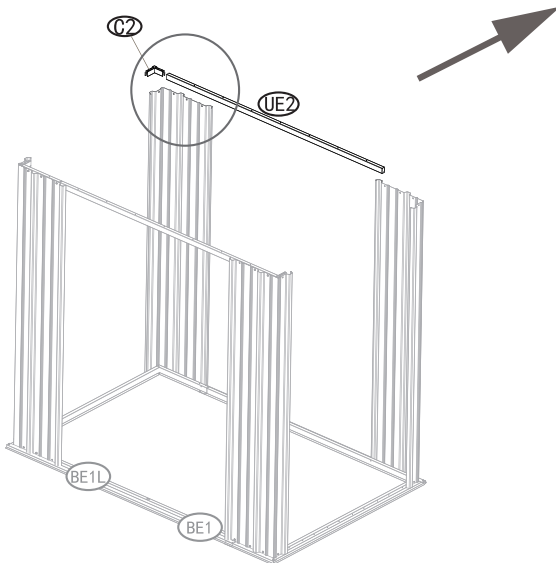
PART	NO.	Qty.
	UE1	1
	C2	1
	F1	3
	V2	3








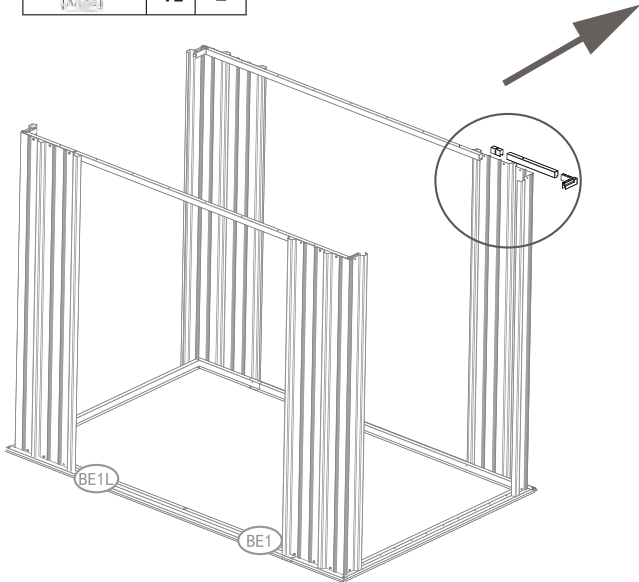
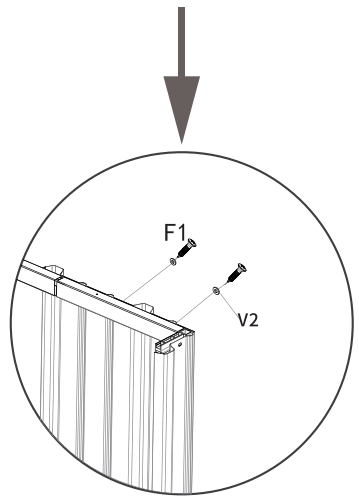
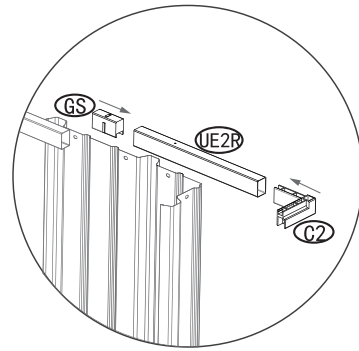
PART	NO.	Qty.
	UE1L	1
	C2	1
	GS	1
	F1	3
	V2	3







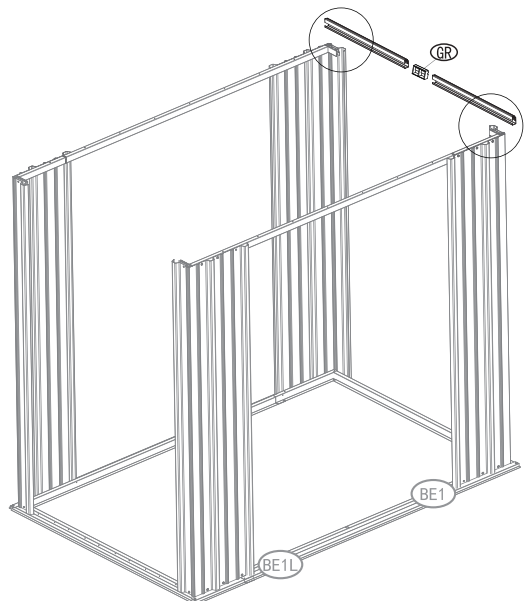
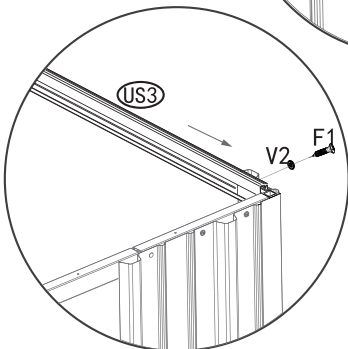
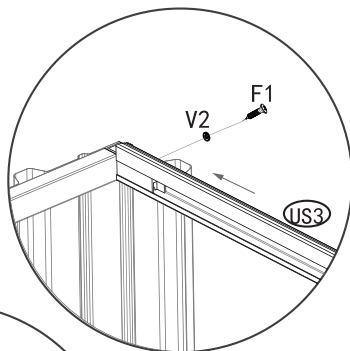
PART	NO.	Qty.
	UE2	1
	C2	1
	F1	2
	V2	2




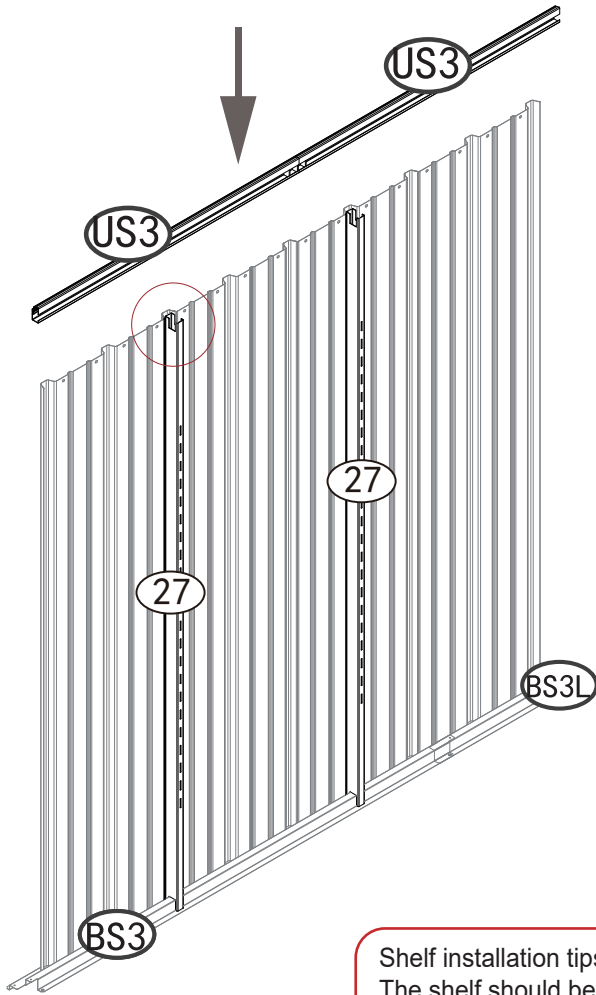
PART	NO.	Qty.
	UE2R	1
	G2	1
	GS	1
	F1	2
	V2	2



PART	NO.	Qty.
	US3	2
	GR	1
	F1	2
	V2	2



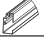



PART	NO.	Qty.
	27	2

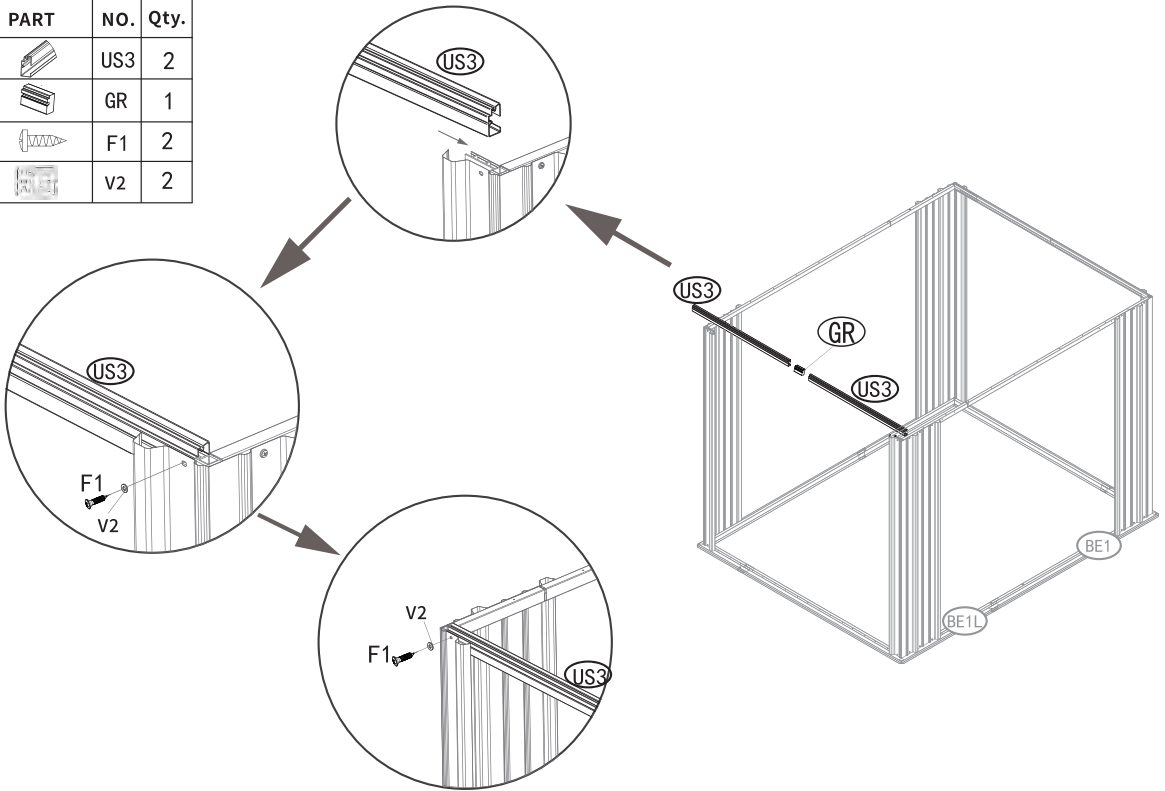





Shelf installation tips:

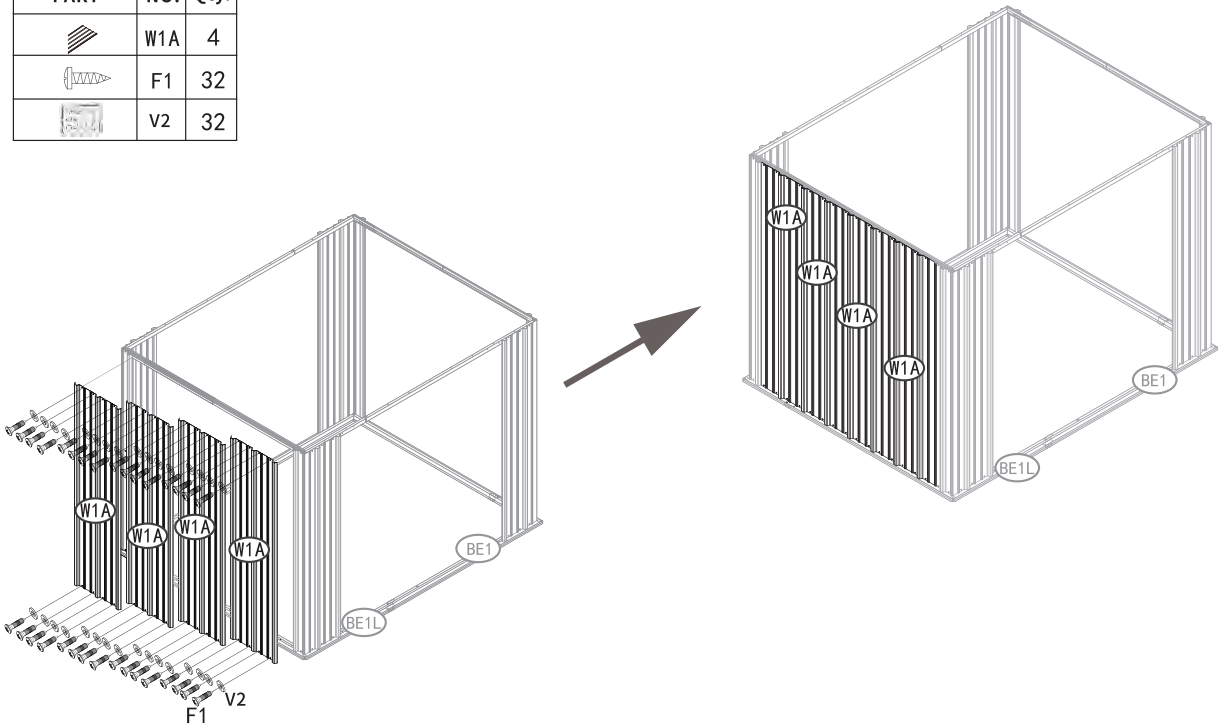
The shelf should be inserted into the foundation BS3 first, and then the top US3 should be inserted into the notch of the shelf. Finally, the wall panel is installed, and the installation location is according to the requirements of the diagram






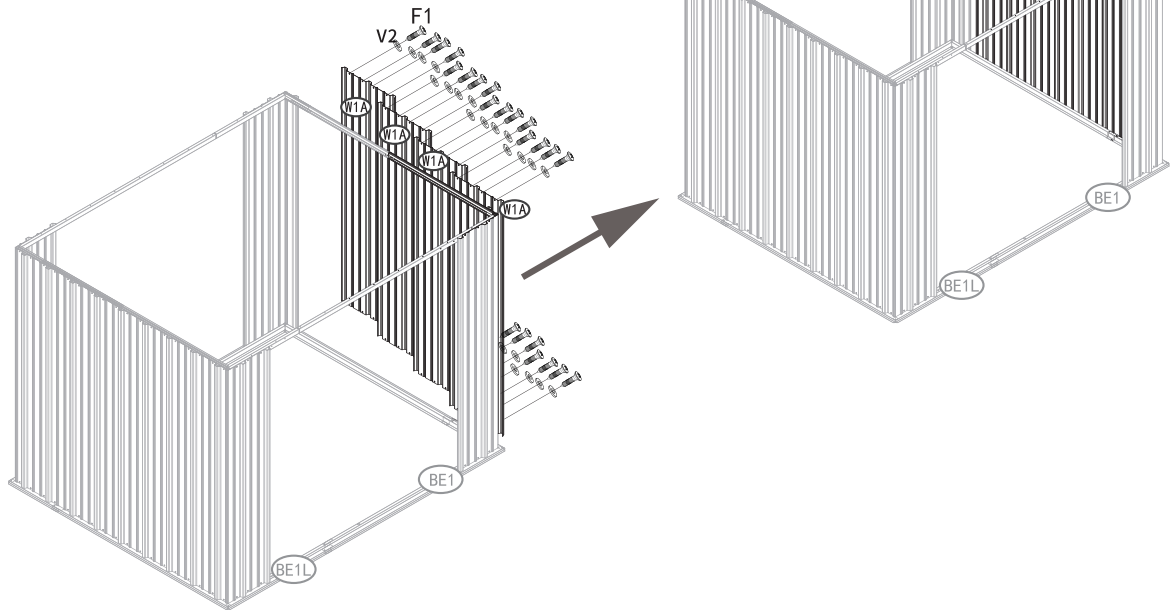
PART	NO.	Qty.
	US3	2
	GR	1
	F1	2
	V2	2






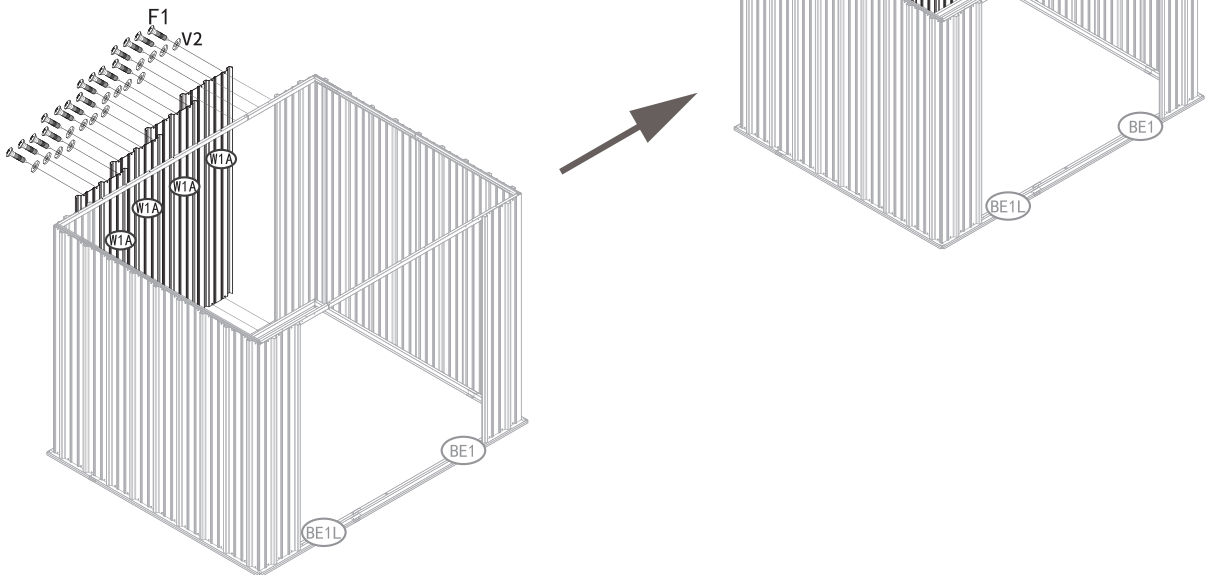
PART	NO.	Qty.
	W1A	4
	F1	32
	V2	32



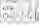


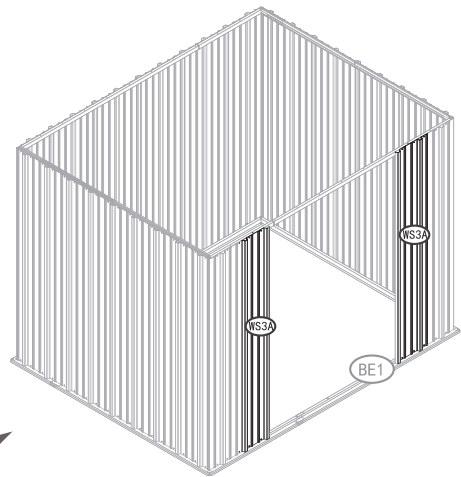
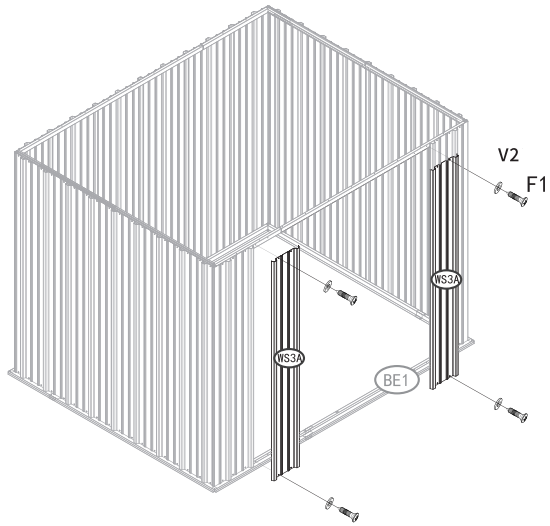
PART	NO.	Qty.
	W1A	4
	F1	32
	V2	32







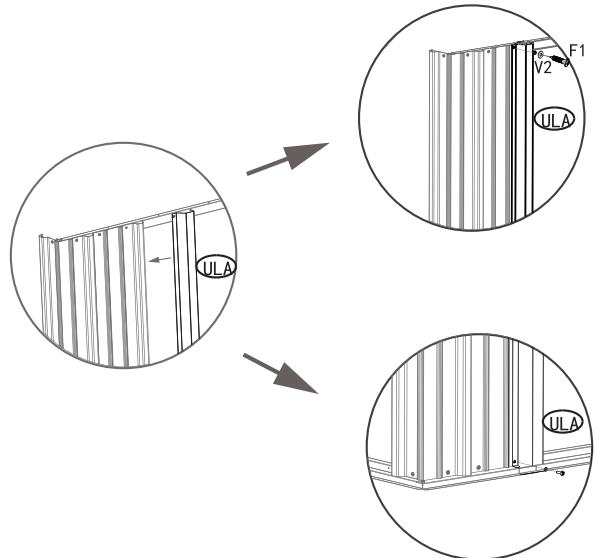
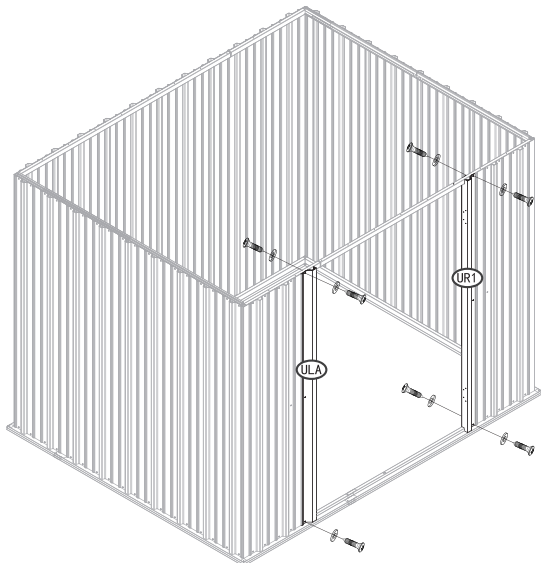
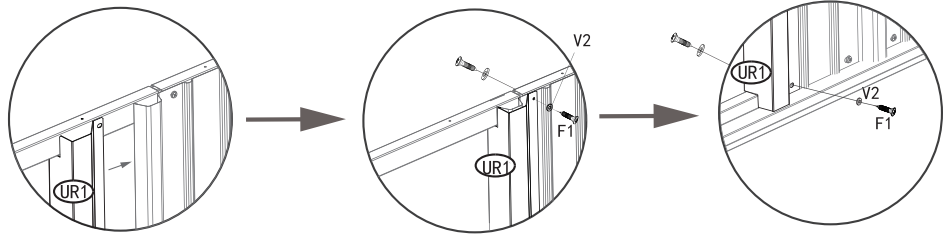
PART	NO.	Qty.
	W1A	4
	F1	32
	V2	32

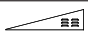
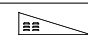
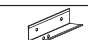
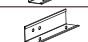




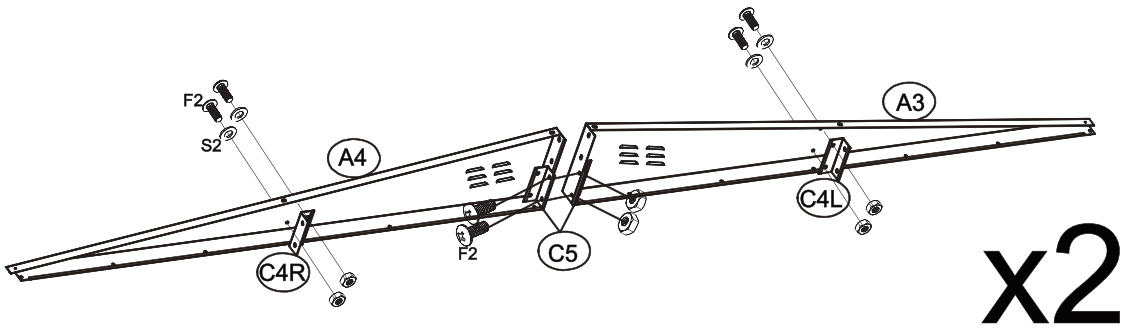
PART	NO.	Qty.
	WS3A	2
	F1	4
	V2	4





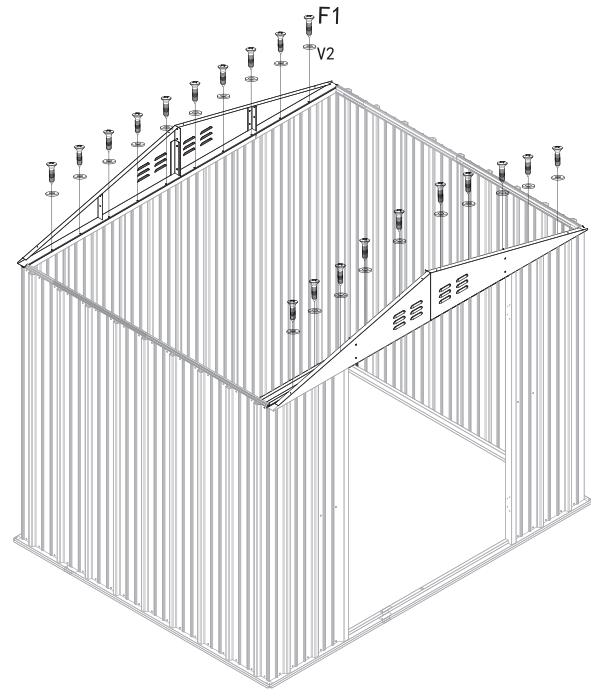
PART	NO.	Qty.
	ULA	1
	UR1	1
	F1	8
	V2	8






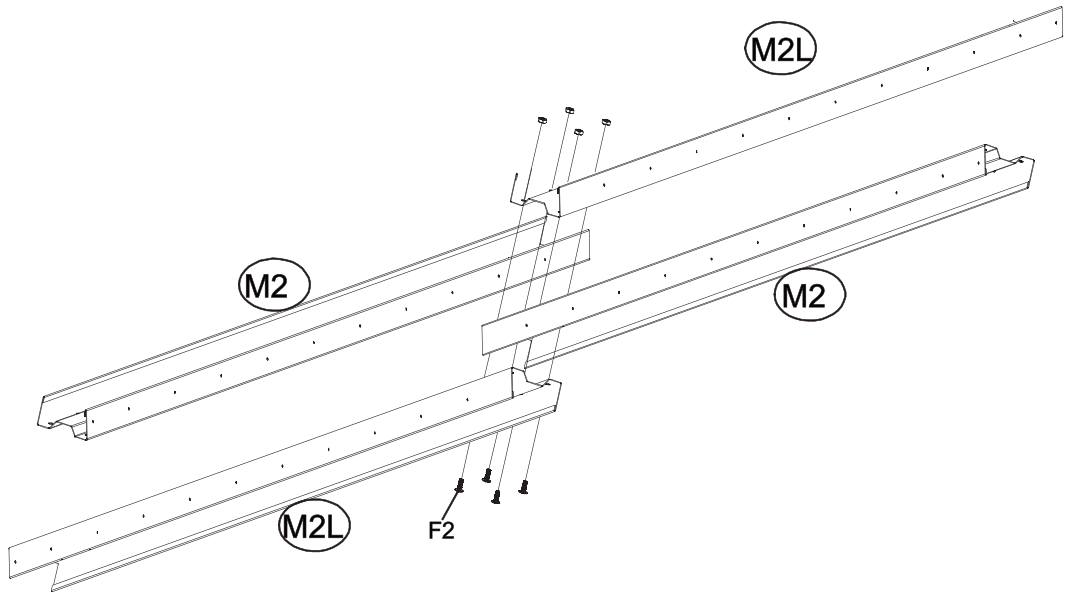
PART	NO.	Qty.
	A3	2
	A4	2
	C4L	2
	C4R	2
	C5	4
	F2	12




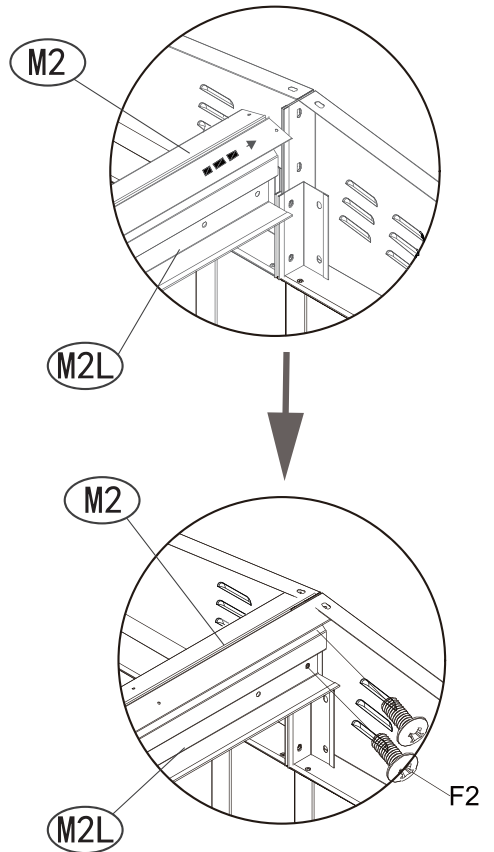
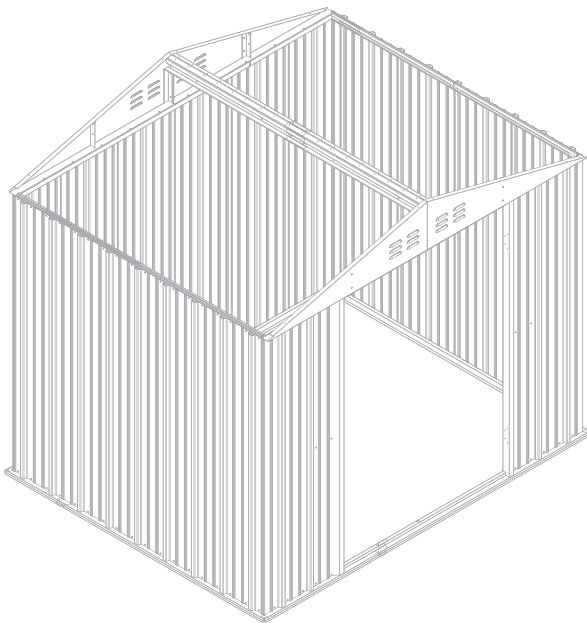
PART	NO.	Qty.
	F1	20
	V2	20






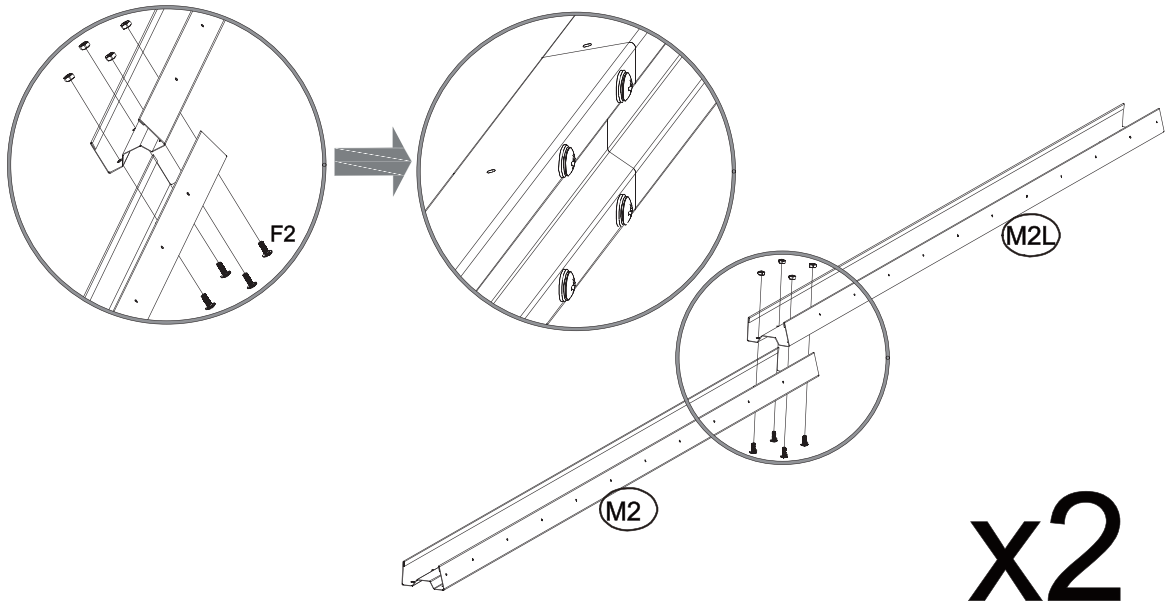
PART	NO.	Qty.
	M2	2
	M2L	2
	F2	4






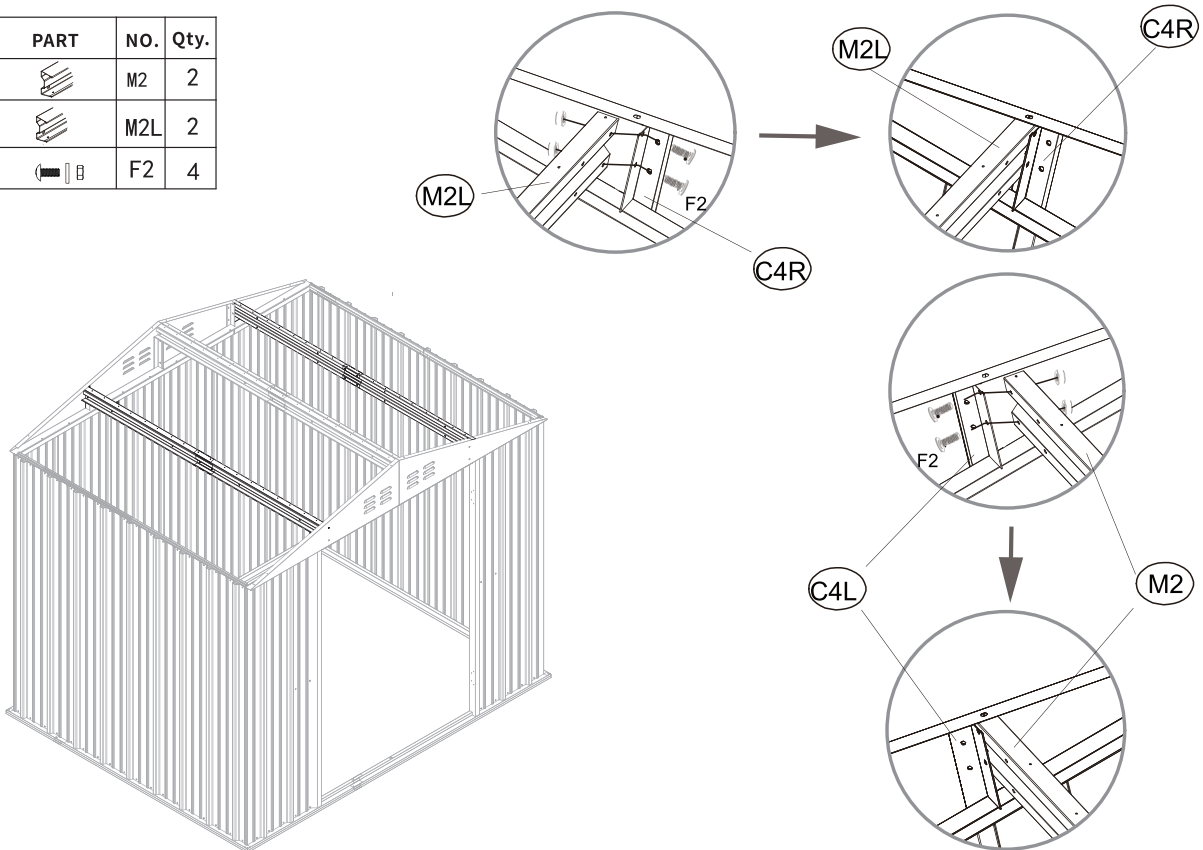
PART	NO.	Qty.
	F2	4









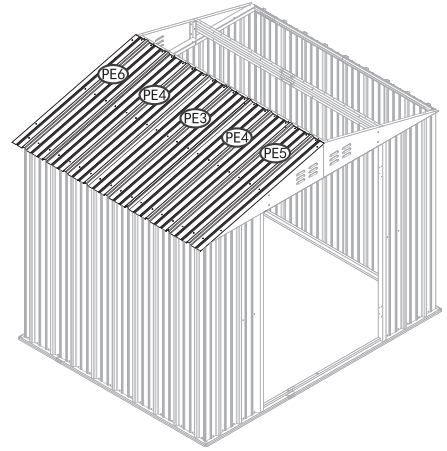
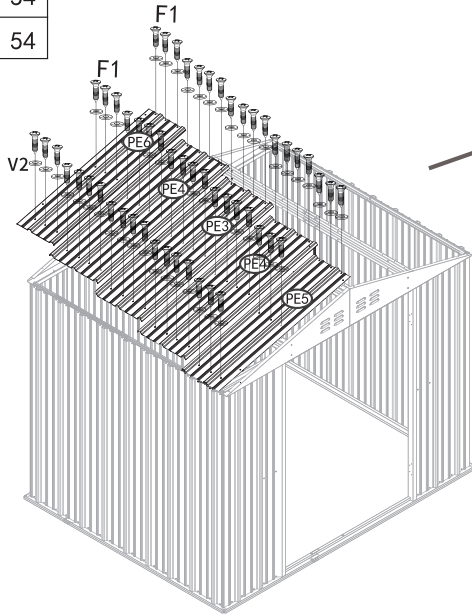
PART	NO.	Qty.
	M2	2
	M2L	2
	F2	8









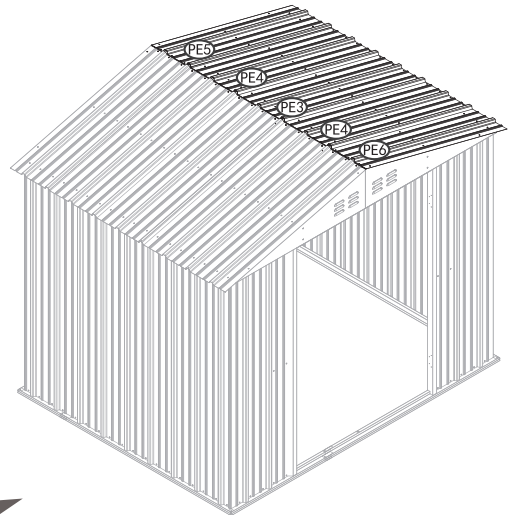
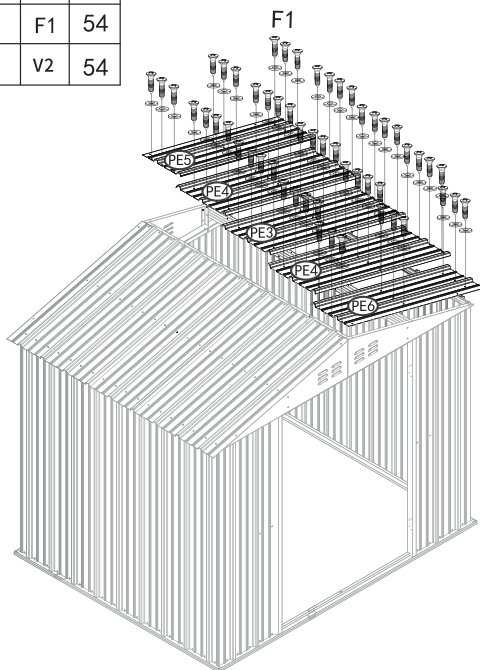
PART	NO.	Qty.
	M2	2
	M2L	2
	F2	4







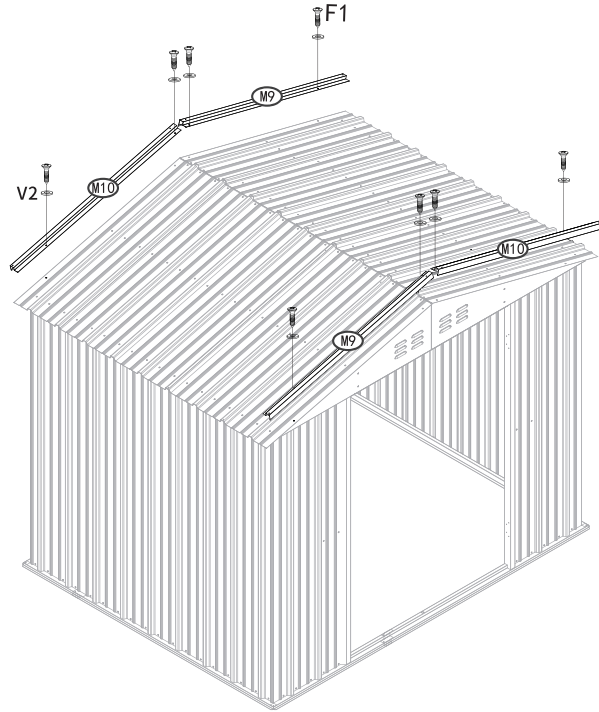
PART	NO.	Qty.
	PE3	1
	PE4	2
	PE5	1
	PE6	1
	F1	54
	V2	54






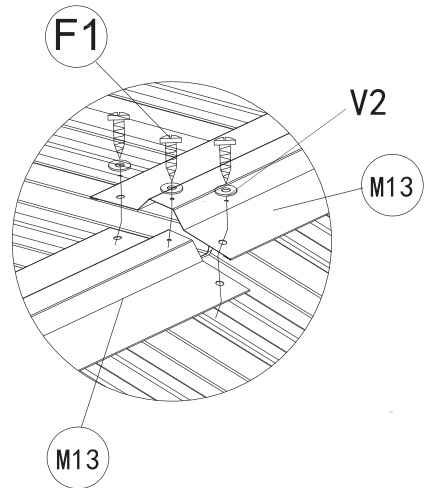
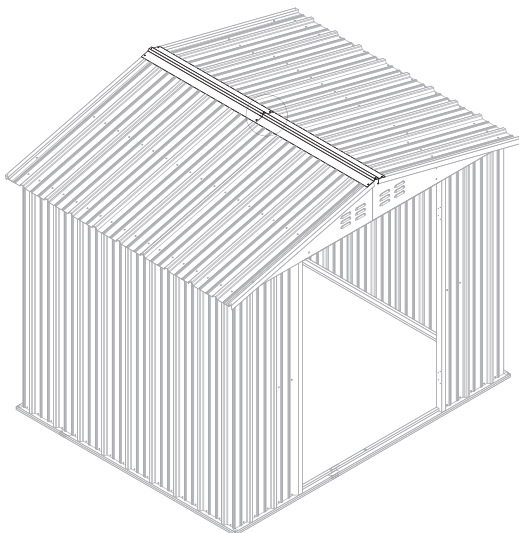
PART	NO.	Qty.
	PE3	1
	PE4	2
	PE5	1
	PE6	1
	F1	54
	V2	54






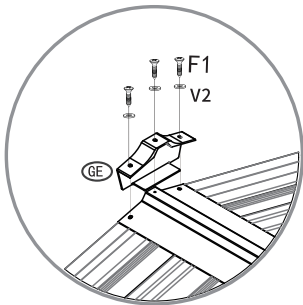
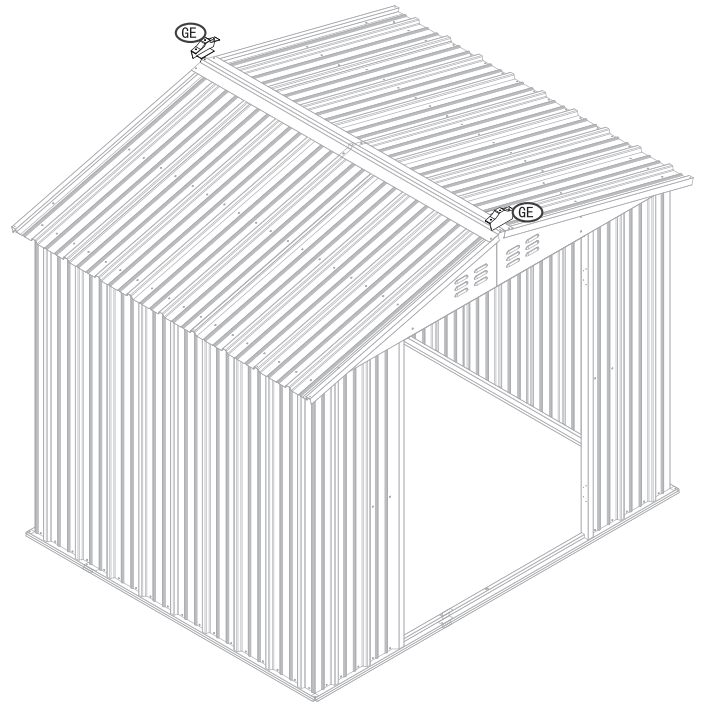
PART	NO.	Qty.
	M9	2
	M10	2
	F1	8
	V2	8






PART	NO.	Qty.
	M13	2
	F1	3
	V2	3

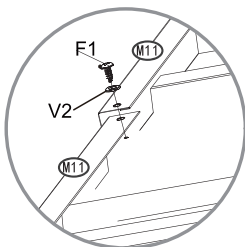
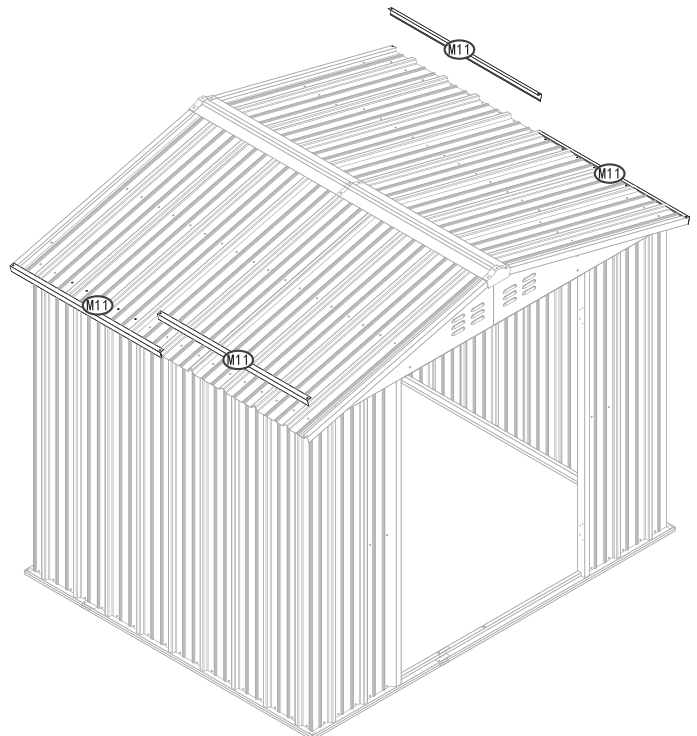


PART	NO.	Qty.
	GE	2
	F1	6
	V2	6






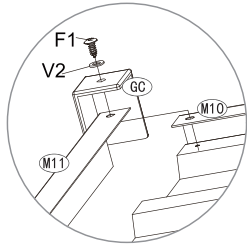
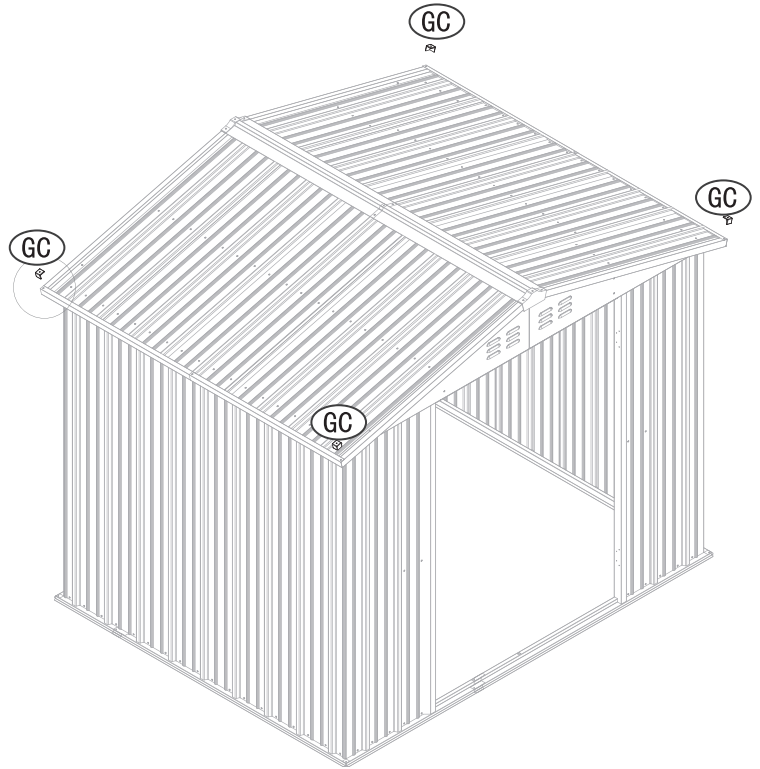
x2

PART	NO.	Qty.
	M11	4
	F1	2
	V2	2

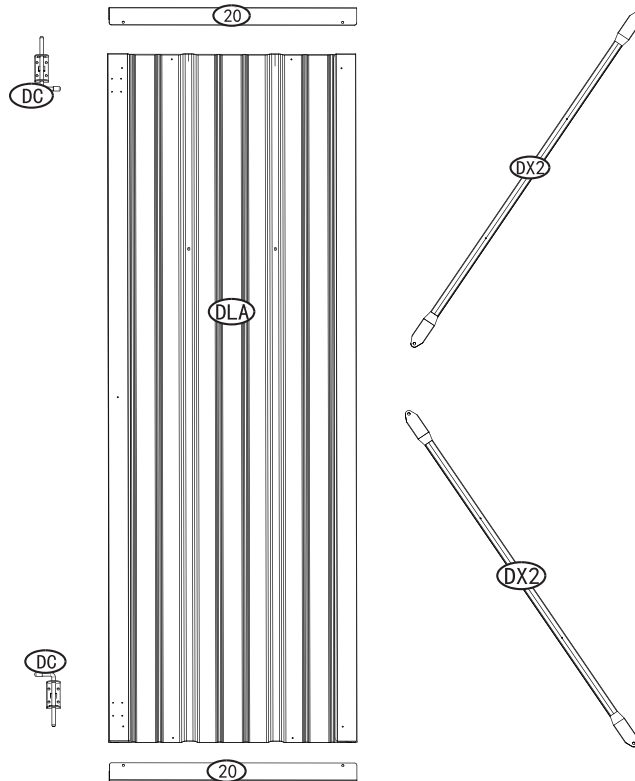




x2

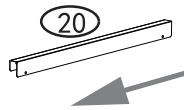
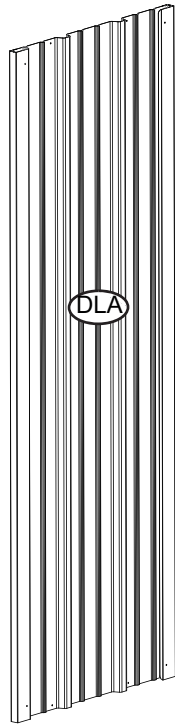
PART	NO.	Qty.
	GC	4
	F1	4
	V2	4



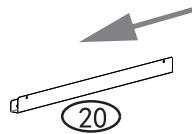
x4



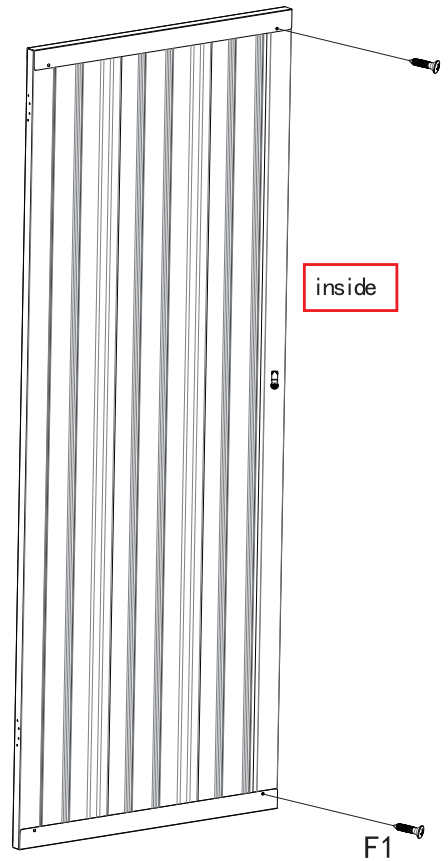
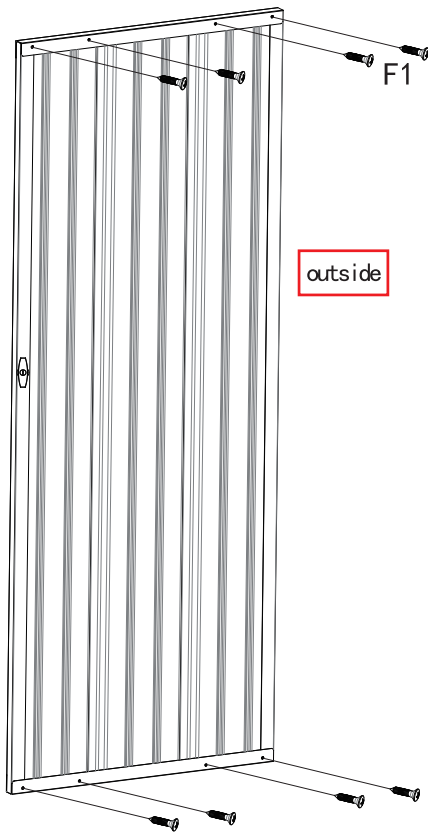
PART	NO.	Qty.
	20	2
	DLA	1




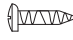


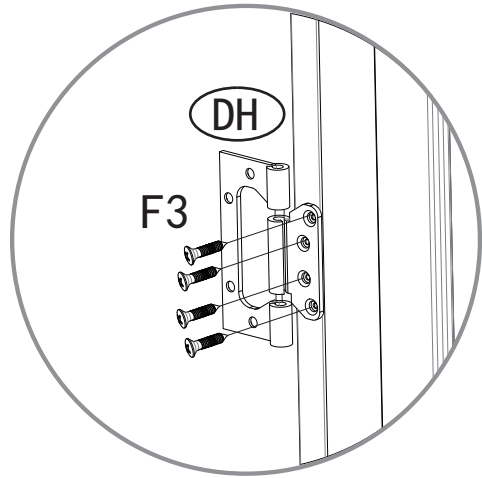
pay attention to the front and back of the door panel



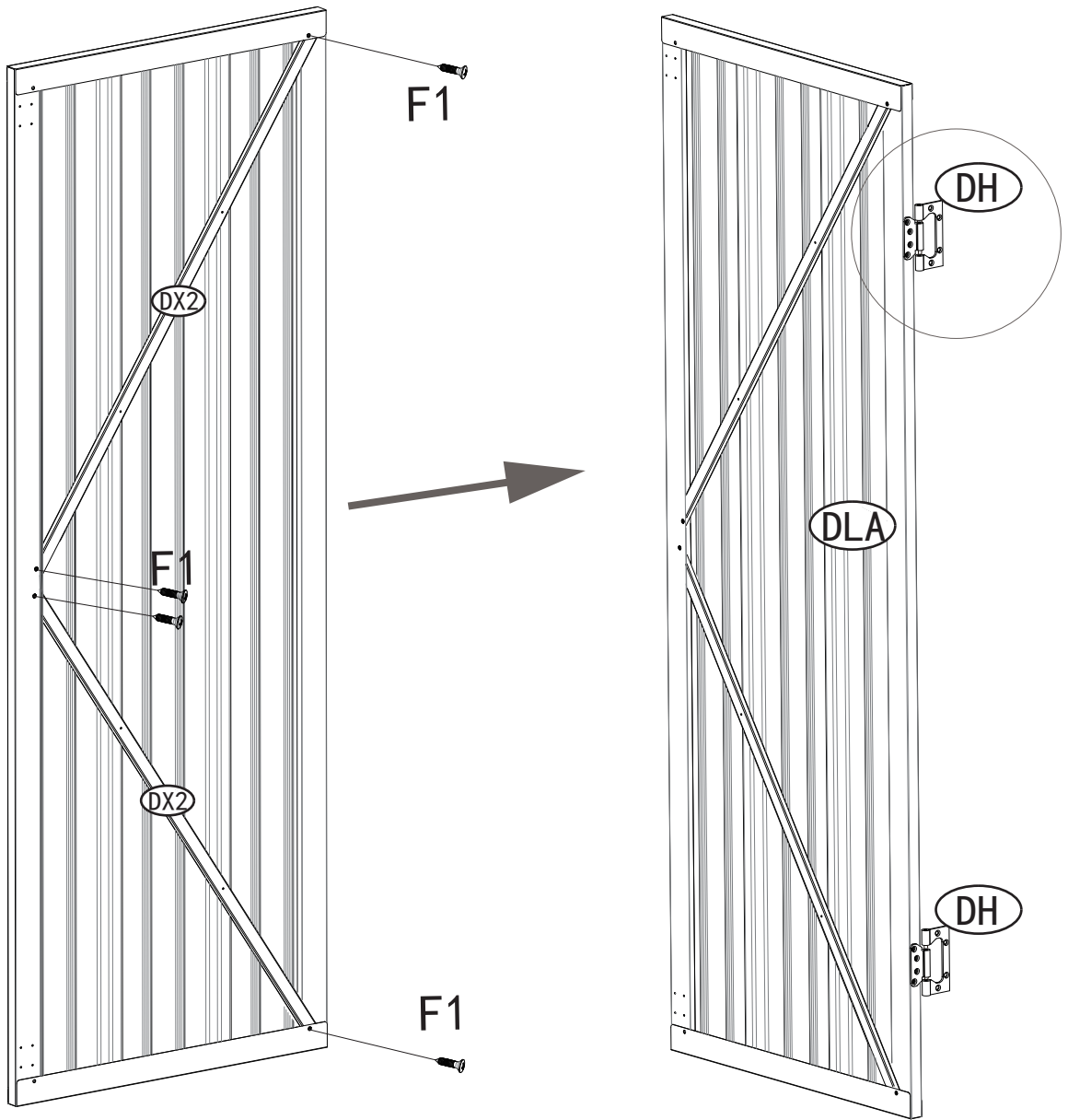
PART	NO.	Qty.
	F1	10





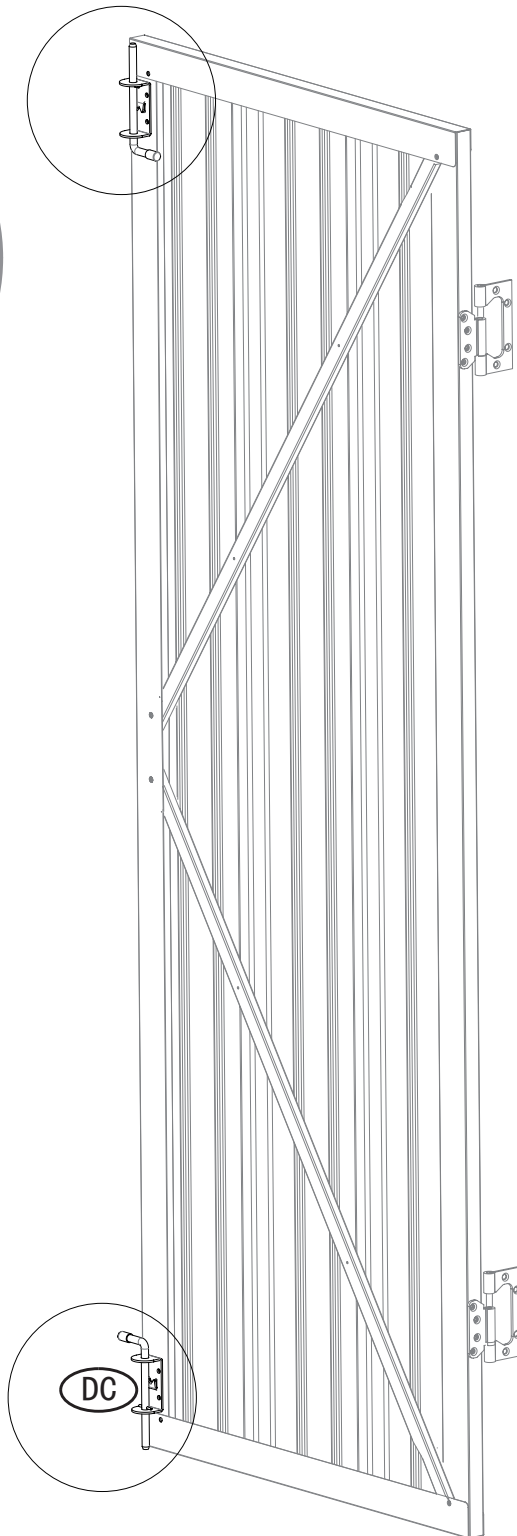
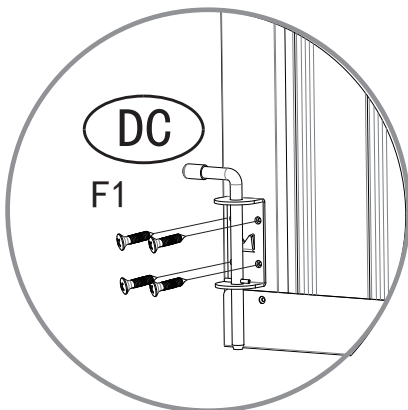
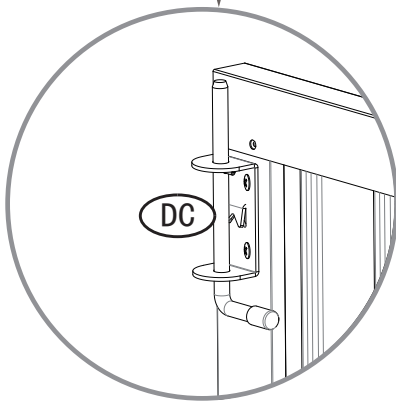
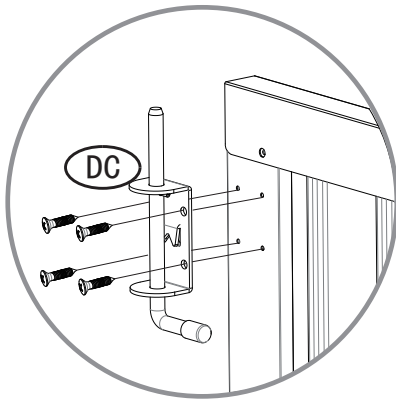
PART	NO.	Qty.
	DX2	2
	DH	2
	F1	4
	F3	8

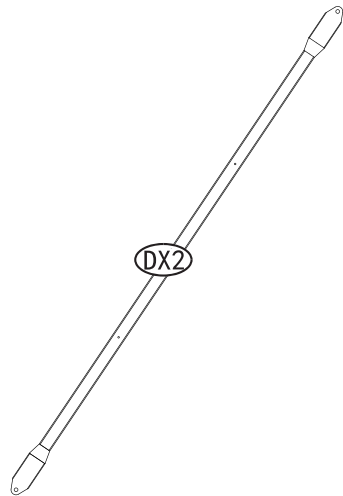
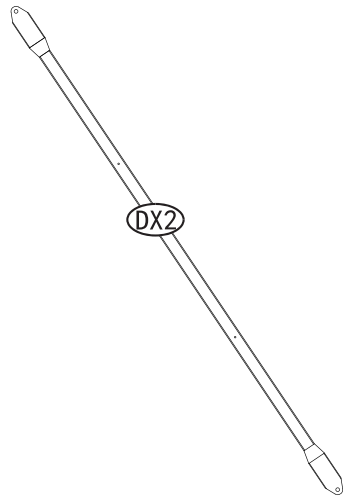
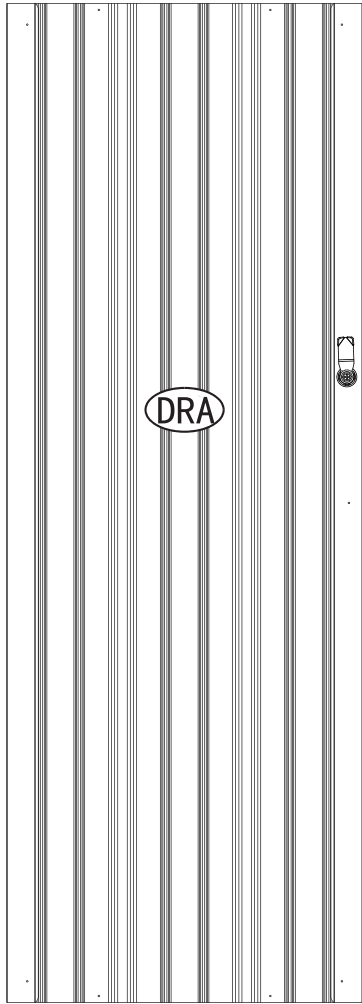




X2

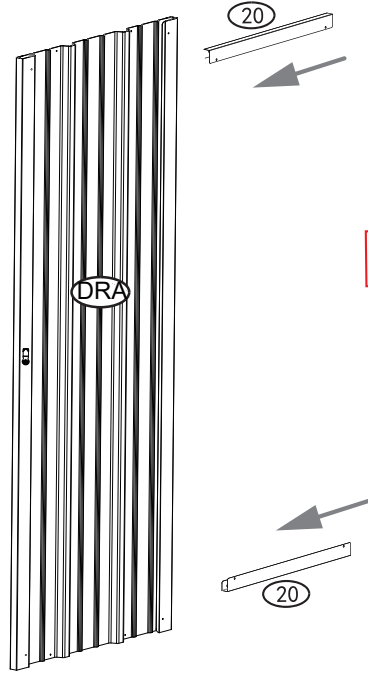


PART	NO.	Qty.
	DC	2
	F1	8




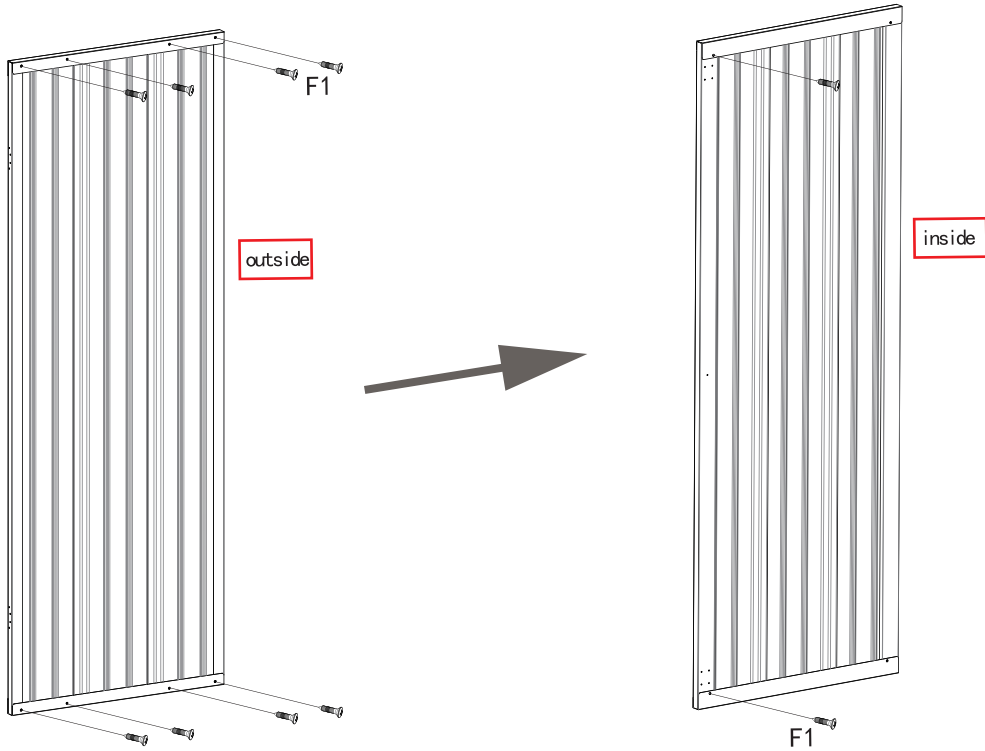






PART	NO.	Qty.
	20	2
	DRA	1

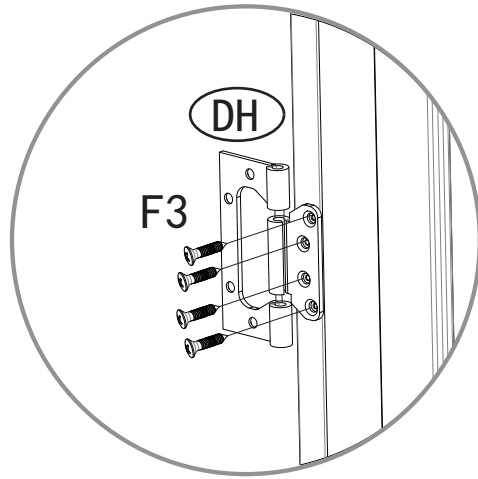


Note: make clear the front and back of the door panel

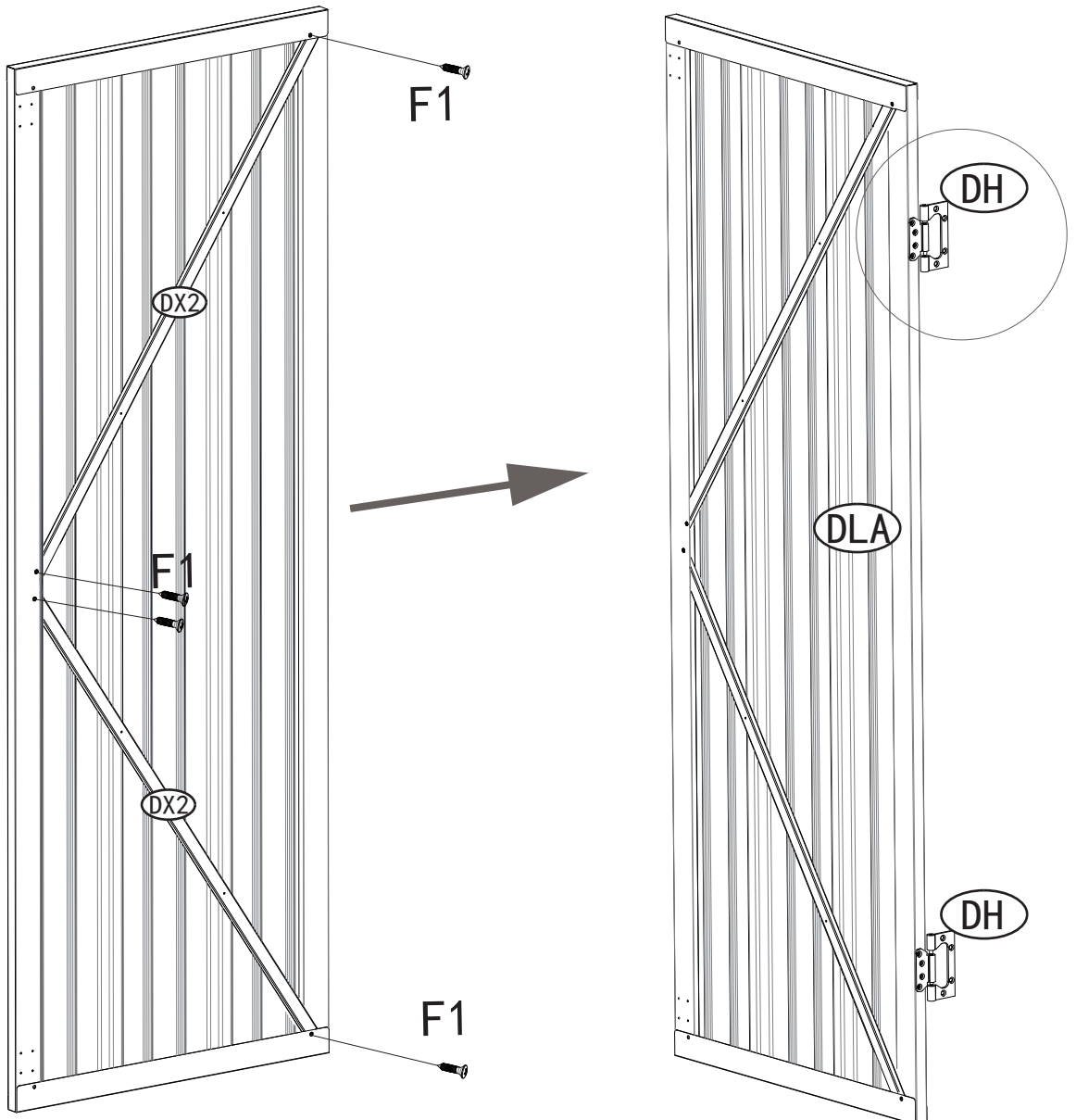
PART	NO.	Qty.
	F1	10



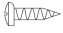


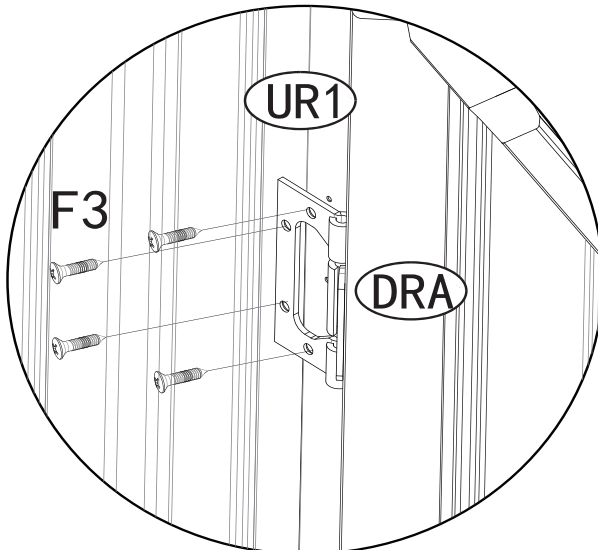
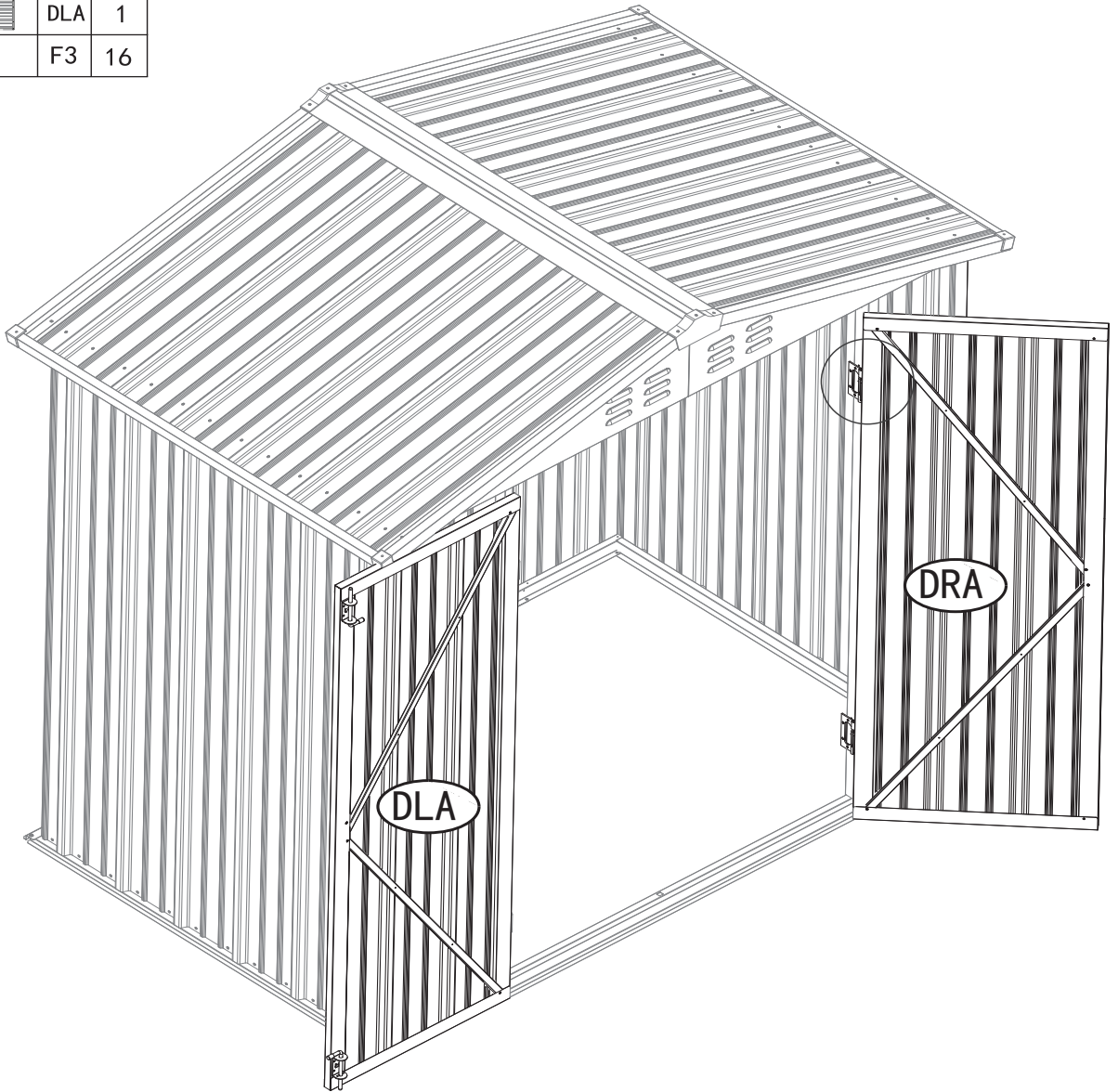
PART	NO.	Qty.
	DX2	2
	DH	2
	F1	4
	F3	8



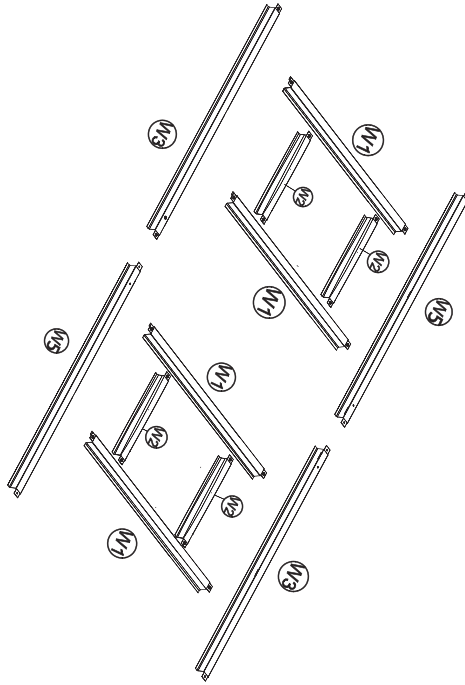
X2



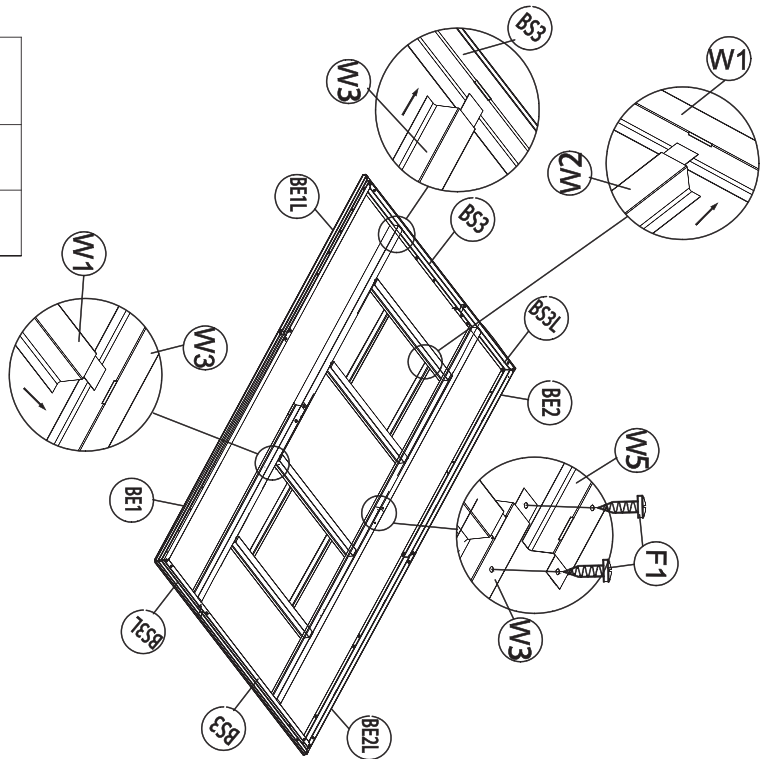
PART	NO.	Qty.
	DRA	1
	DLA	1
	F3	16

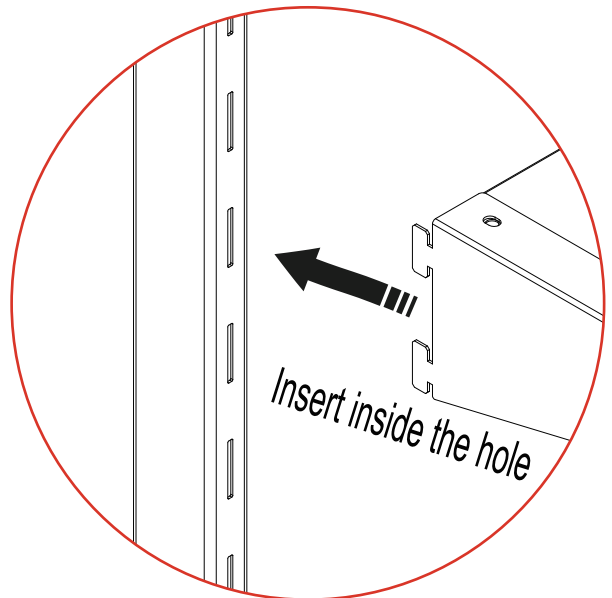
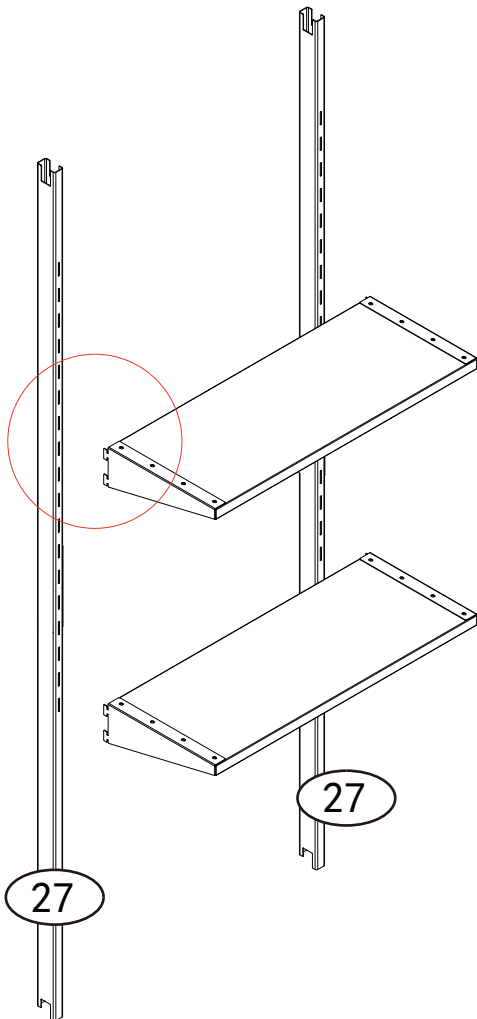
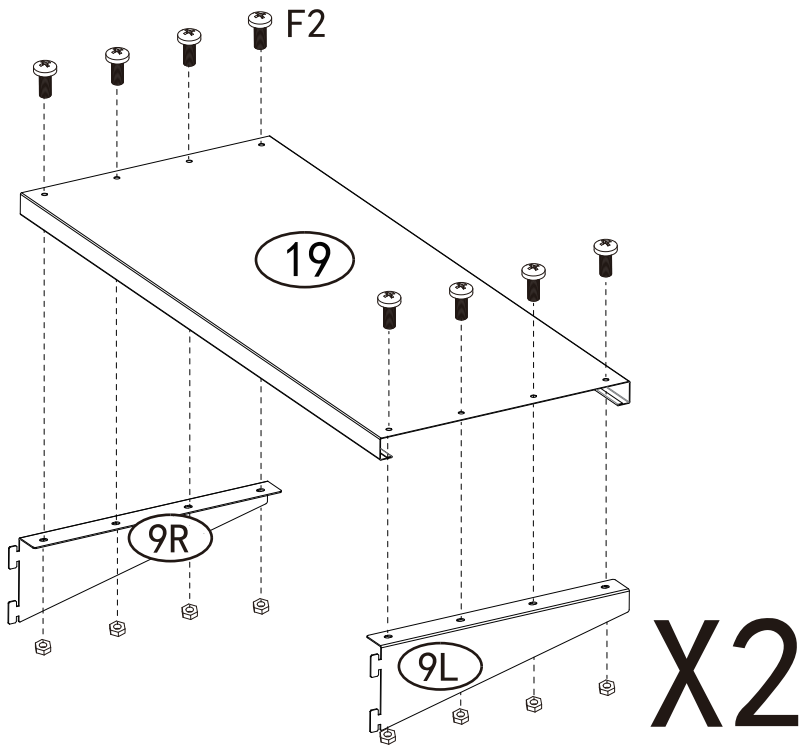


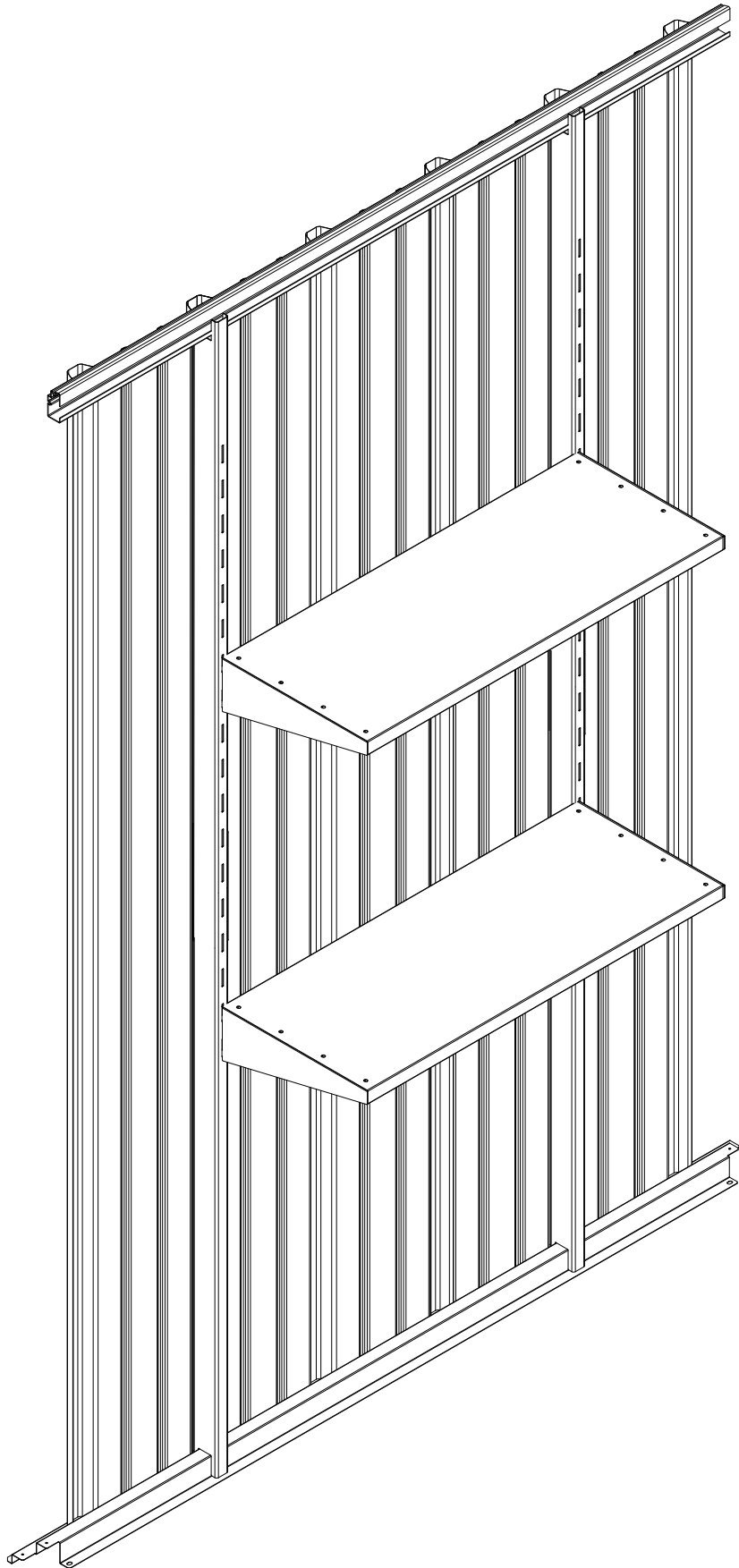
X4




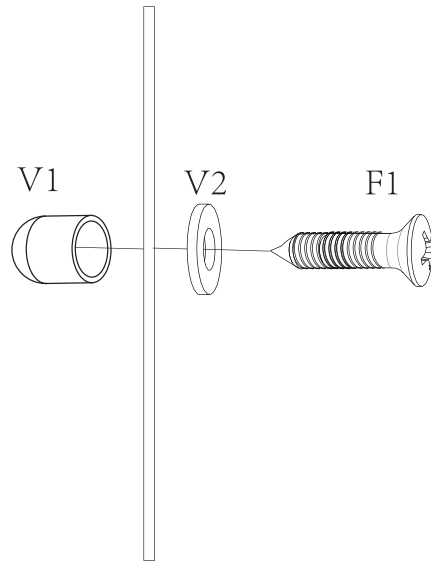
PART	NO.	Qty.
	W1	4
	W2	4
	W3	2
	W5	2
	F1	4







PART	NO.	Qty.
	V1	105



Add V1 in Each F1 for Protection

