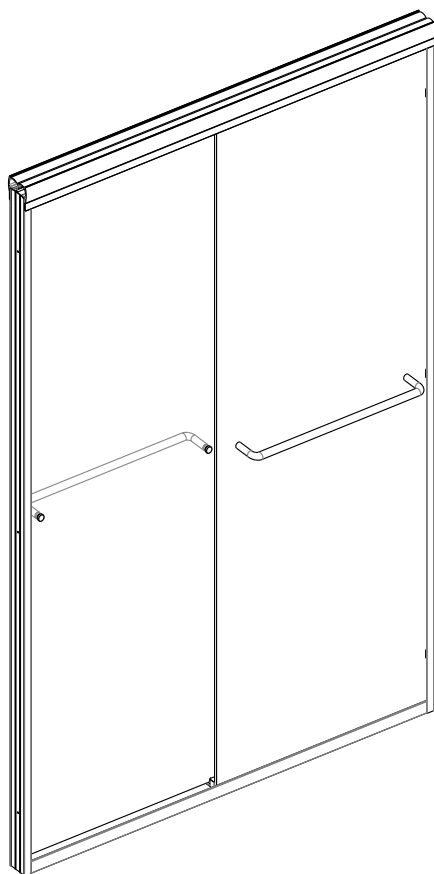


# INSTALLATION INSTRUCTIONS



**24D03**

V1.1-2025-2-24





## Box Contents



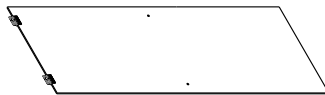
[01] x1  
Top Horizontal  
Rail



[02] x2  
Wall Profile



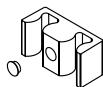
[03] x1  
Bottom  
Horizontal Rail



[04] x2  
Door panel



[05] x2  
Handle set



[06] x6  
Glass Block



[07] x1  
Glass Track



[08] x6  
Wall Plug



[09] x6  
Screw



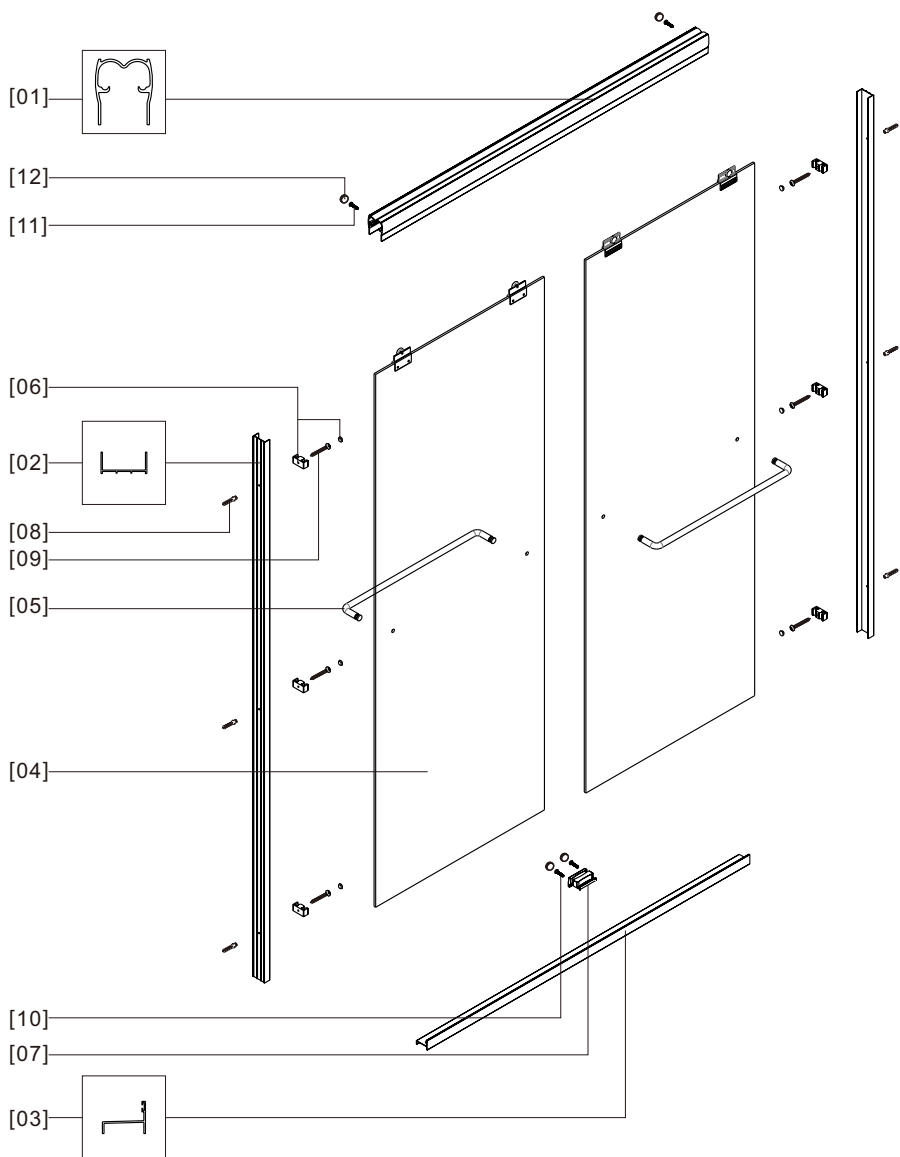
[10] x2  
Screw



[11] x2  
Screw



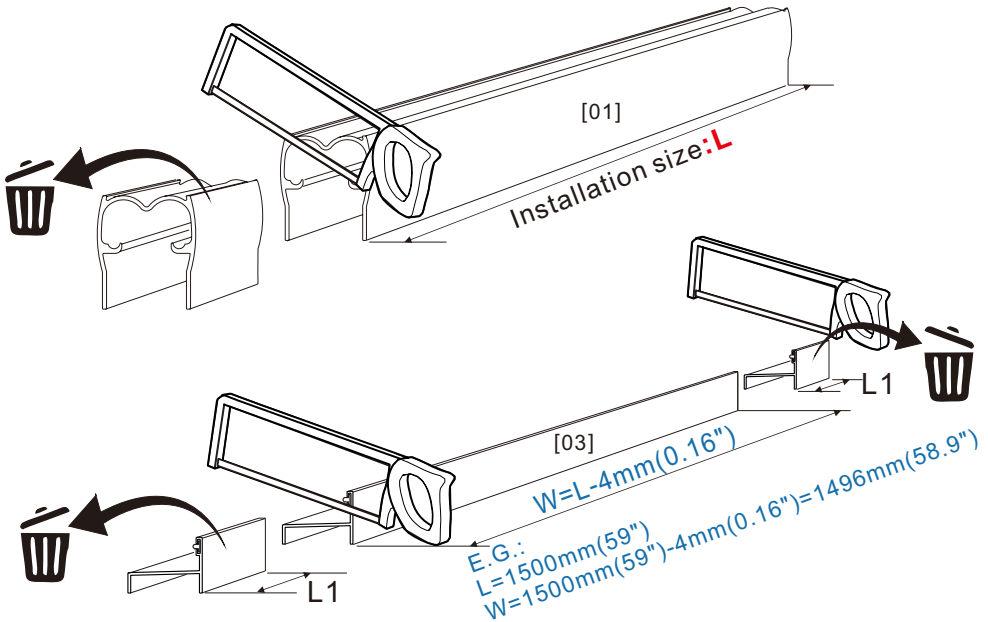
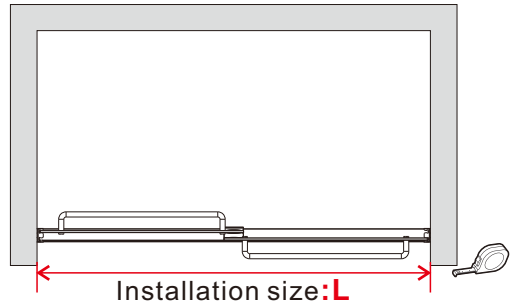
[12] x4  
Screw cap





**01**

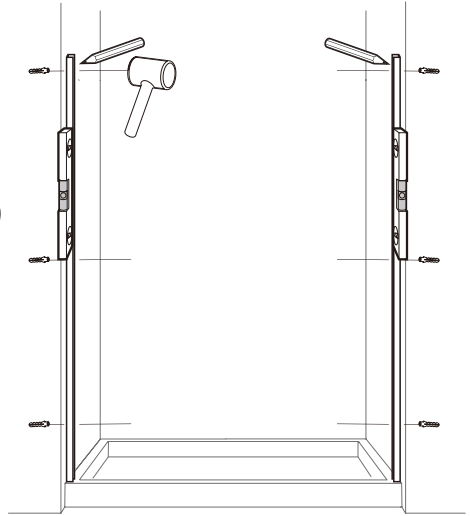
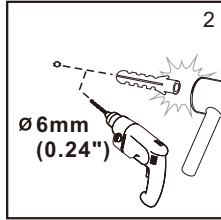
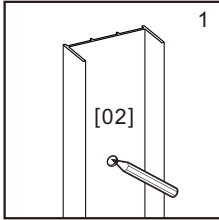
Size (in.)	L	
	Min.	Max.
48"	44"	48"
60"	56"	60"



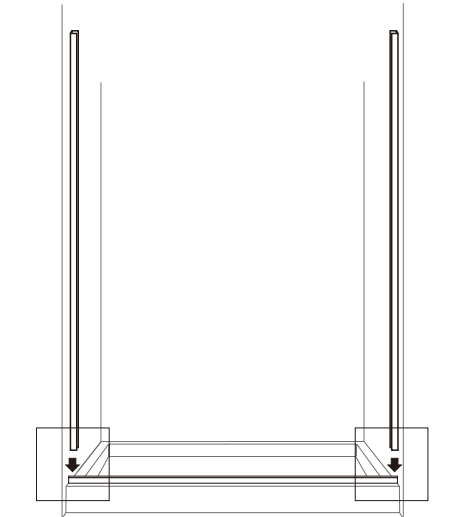
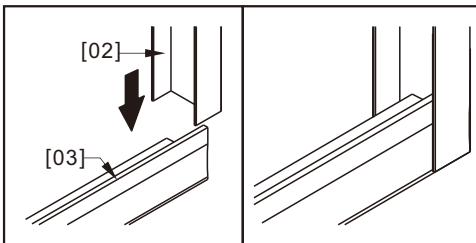
- ❶. Measuring Installation size L.
- ❷. Cut the top horizontal rail [01] to length: Installation size L.
- ❸. Cut the bottom horizontal rail [03] 's length W is: Installation size L subtract 4mm (0.16") .

Note: When cutting the bottom horizontal rail, it needs to be cut in half at each end.

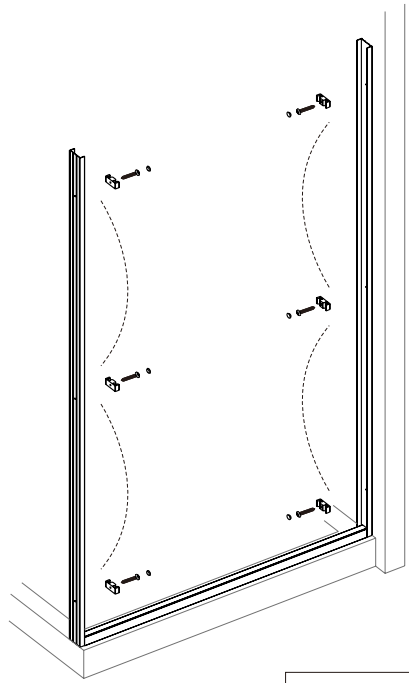
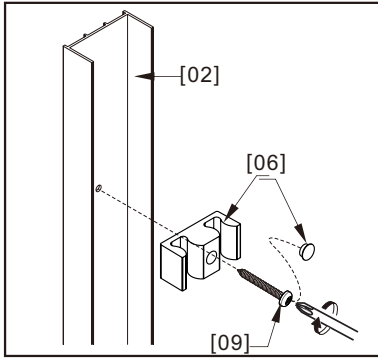
**02**



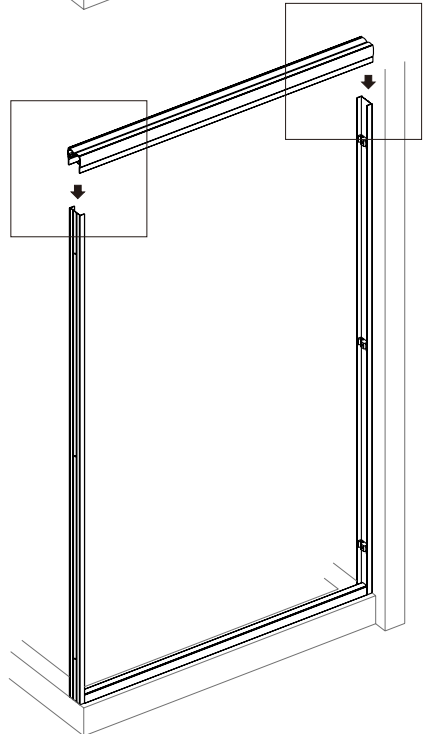
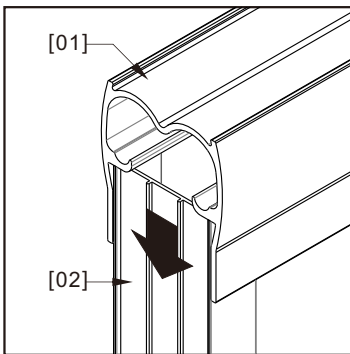
**03**



**04**



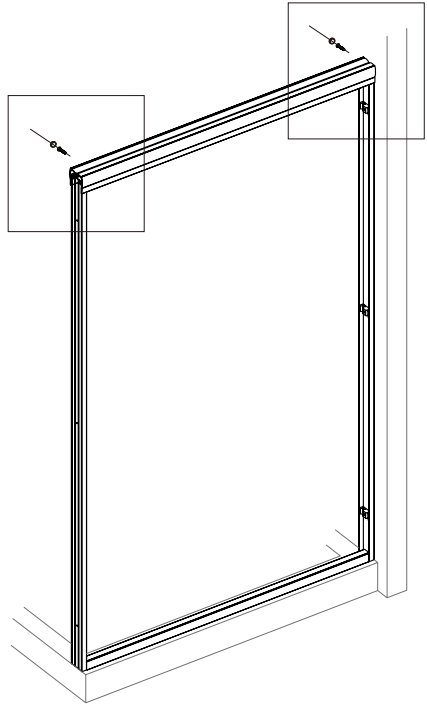
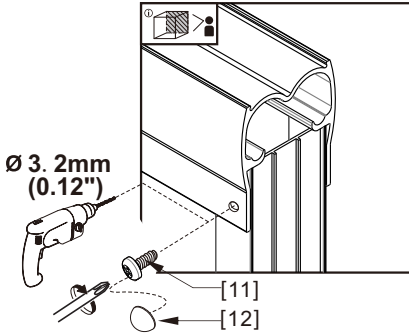
**05**



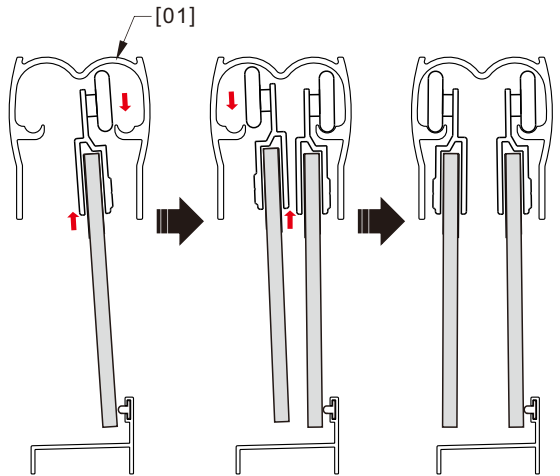
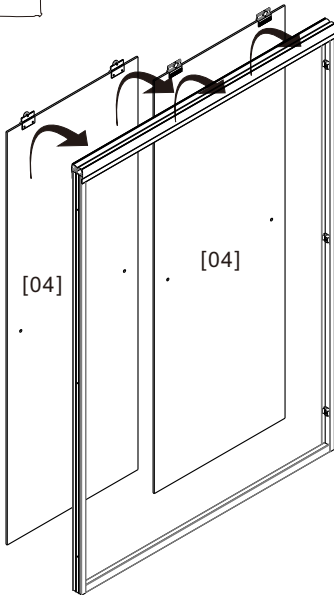
06



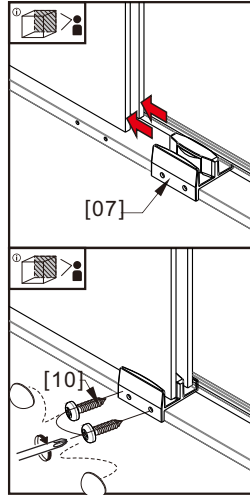
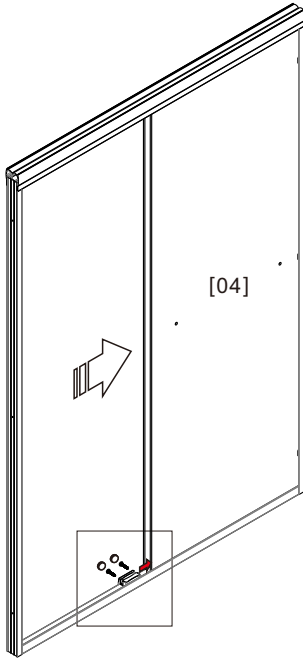
View from inside



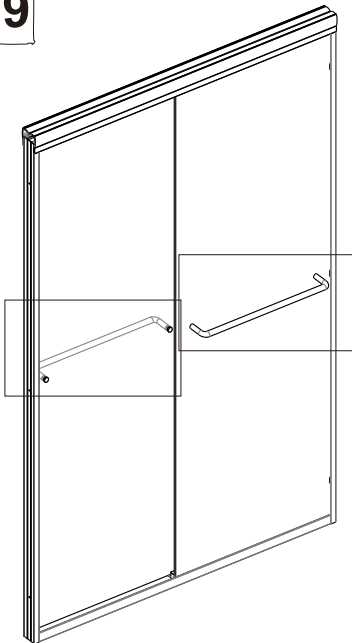
07



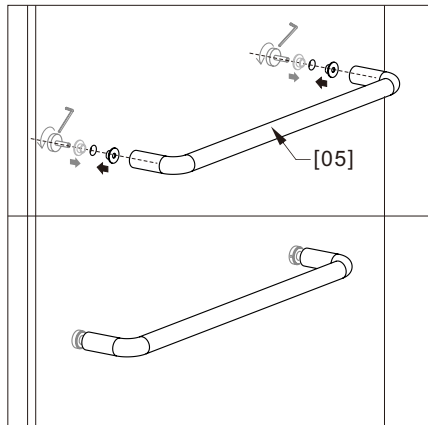
08



09



2x



10

