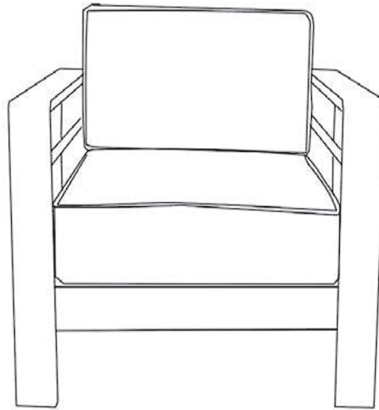


# Assembly Instructions

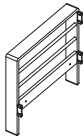
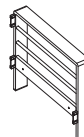
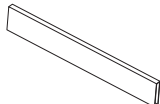
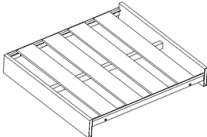
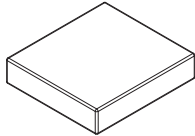
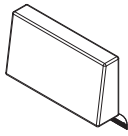
Please look in the red bag for hardware packs and legs.

Caution : You must read this before you proceed


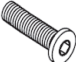

sofa



## Parts List

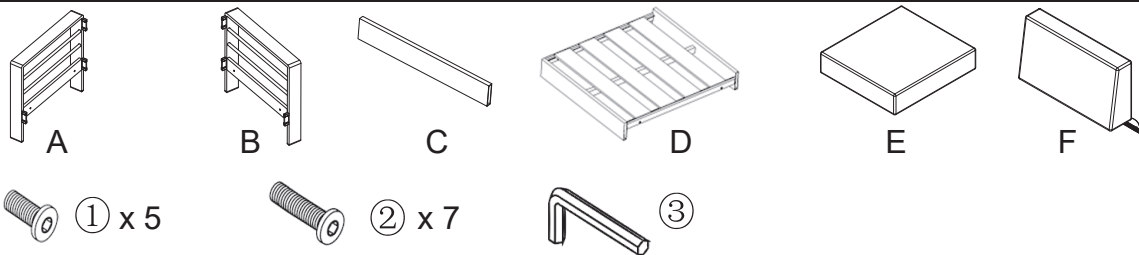
Label	Picture	Description	QTY
A		Left Side Panel	1
B		Right Side Panel	1
C		Back Support Bar	1
D		Seat	1
E		Seat Cushion	1
F		Back Cushion	1

# Hardware

Label	Picture	Description	QTY
①		Bolt (M6*20MM)	5
②		Bolt (M6*25MM)	7
③		Allen Wrench	1

## Assembly Preparation

Before Beginning Assembly:



- Read instructions, cover to cover-



- Have 2 adults on hand for assembly-



- Do not assemble on flooring or carpet-



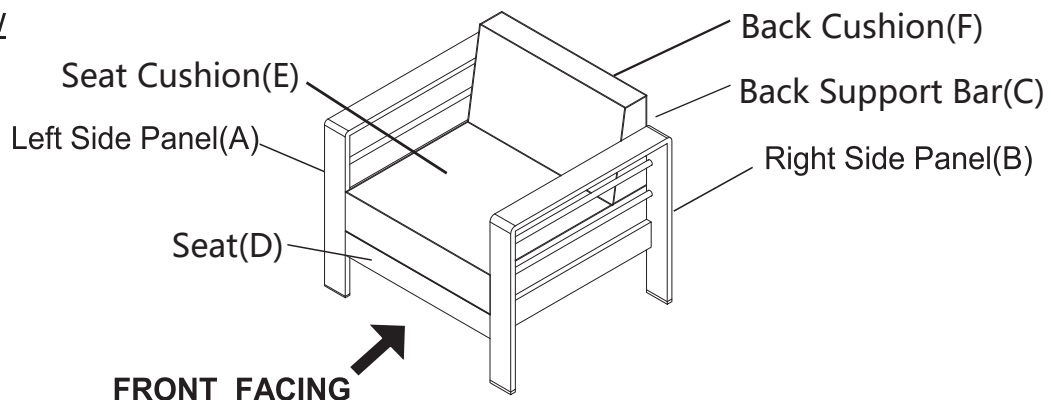
- Assemble on a clean non-marring surface (packing foam)-



- Save all packaging until finished-

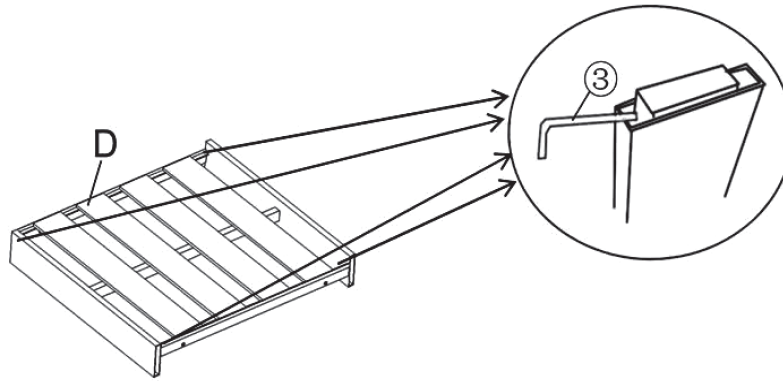
## Assembly Steps

### Overview



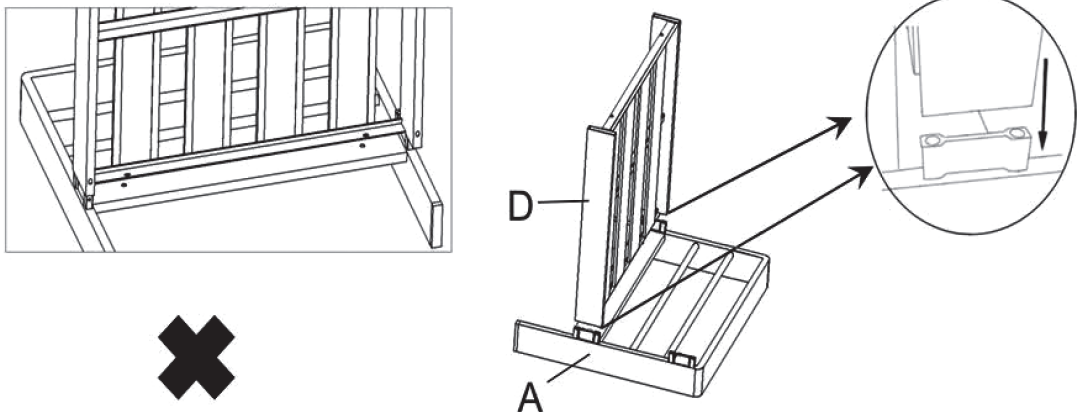
This Sofa has multiple parts and may require up to some 30 minutes to assemble. To give you an overview of the Table parts, the above picture is to help you put the various parts into perspective. Please read through the instructions below to familiarise yourself with the parts and steps before assembly.

## Step 1



As shown above, use an inner hexagon Allen wrench (③) to remove the plastic plug (to prevent aluminum deformation) from the four ends of the seat (D).  
If necessary, please keep the plastic plug for repacking.

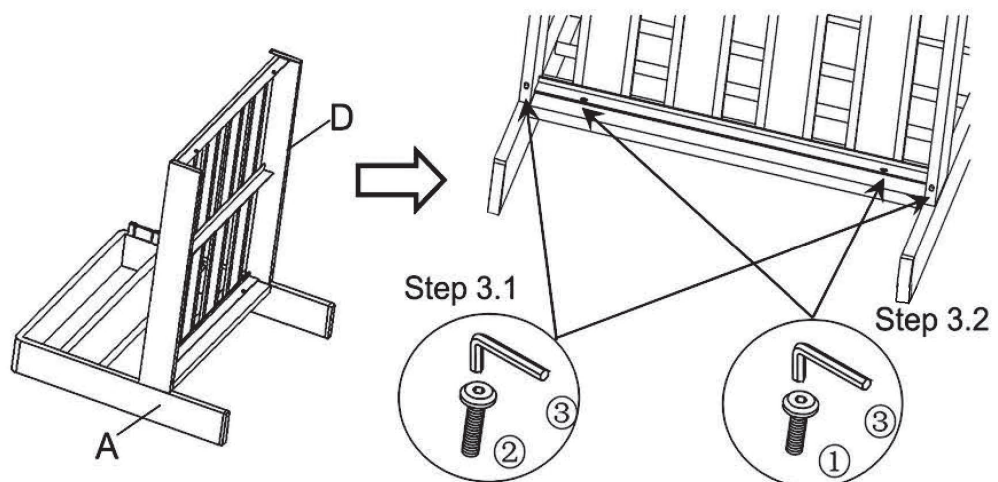
## Step 2



Open the carton and place all parts on a clean, non-damaged surface. Insert seat (D) into left panel (A) as shown.

If you find seat (D) misaligned with left side plate (A), turn seat (D) upside down  
To match the installation location.

## Step 3

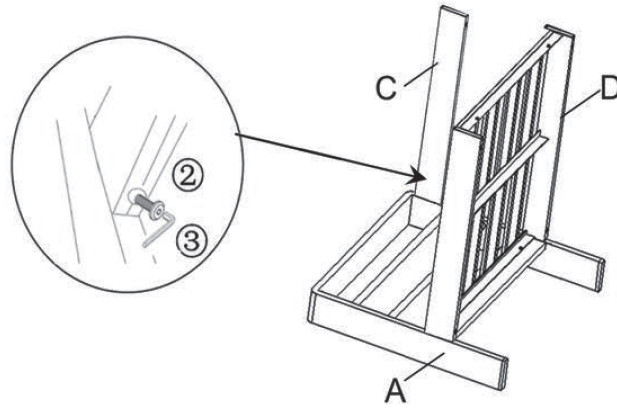


3.1) Attach Seat (D) and Left Side Panel (A) using Bolt (2) with Allen wrench (3) as shown in the picture.

3.2) Attach Seat (D) and Left Side Panel (A) using Bolt (1) with Allen wrench (3) as shown in the picture.

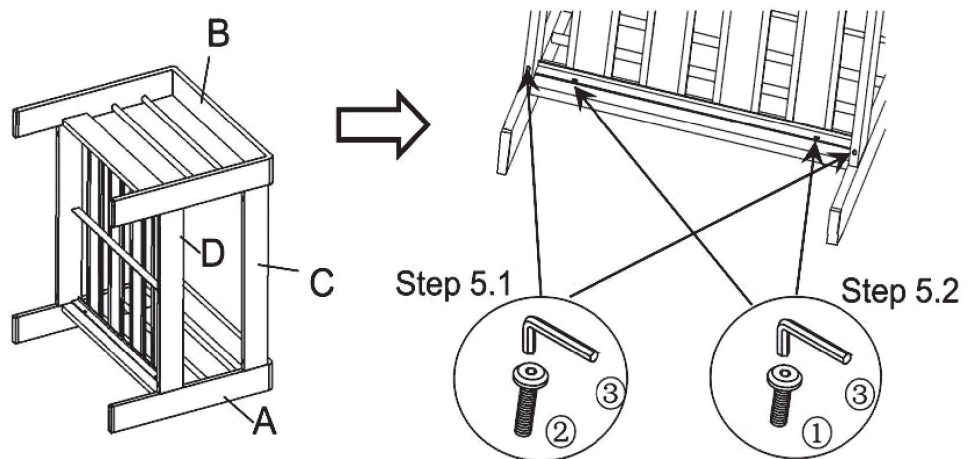
Do not fully tighten the Bolt.

## Step 4



Connect the rear support rod (C) to the left panel (A) using an inner hexagon Allen wrench (③) and bolts (②) as shown. Do not tighten the bolt completely.

## Step 5



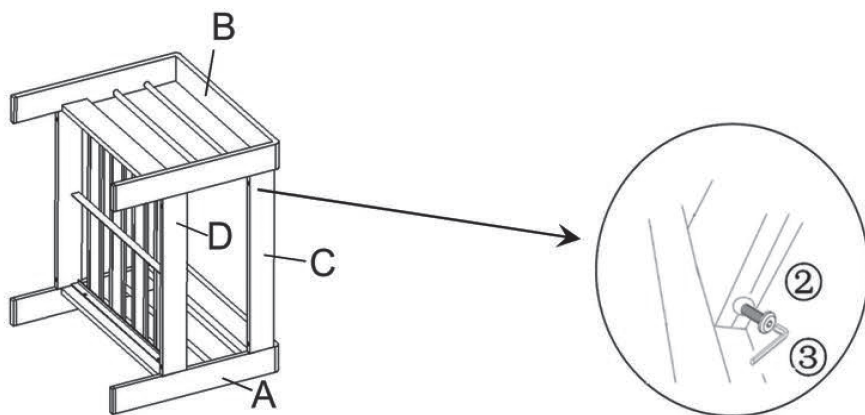
5.1) Attach Seat (D) and Right Side Panel (B) using Bolt (②) with Allen wrench (③) as shown in the picture.

5.2) Attach Seat (D) and Right Side Panel (B) using Bolt (①) with Allen wrench (③) as shown in the picture.

Place the chair upright and test for stability.

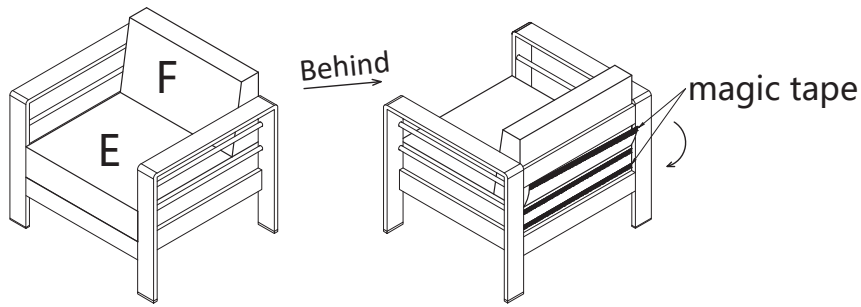
Then proceed to fully tighten all bolts at all joints in sequence

## Step 6



As shown, bolt (②) and connect the rear support rod (C) to the right panel (B) with an inner hexagon Allen wrench (③). Loosen bolt not completely

## Step 7



Set up the single chair.

Place single chair on level. Check and ensure that all parts are fully connected.











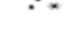



Sit gently and carefully on the sofa.

This will help align all the parts at all the joints.

Then carefully leave the sofa and tighten all the bolts in sequence. Place the seat cushion (E) and back cushion (F) on the single chair, and attach the magic tape from the back cushion to the seat cushion.

Your single chair is ready.

## Care & Maintenance

-   ● Do not put hot items directly on furniture surface
  -   ● Do not clean furniture with harsh cleansers or polish.
  -  ● To obtain the longest lifespan of your outdoor products, minimizing exposure to direct sunlight is recommended.
  -  ● Children should not climb or jump on the furniture.
  -  ● Do not write on furniture without a padded barrier to protect the surface.
  -  ● To obtain the longest lifespan of your outdoor products, avoid extended and lengthy exposure to rain, snow, and direct sunshine. Whenever possible cover the product and /or place under patio or awnings.
  -  ● Not for commercial use. For residential use only .
  -   ● Stains may be removed with mild soap solution and damp cloth.
  -   ● Keep away from sources of ignition.
- 
-  ● Dust and pick-up spills using a clean, non-colored, lint-free cloth.