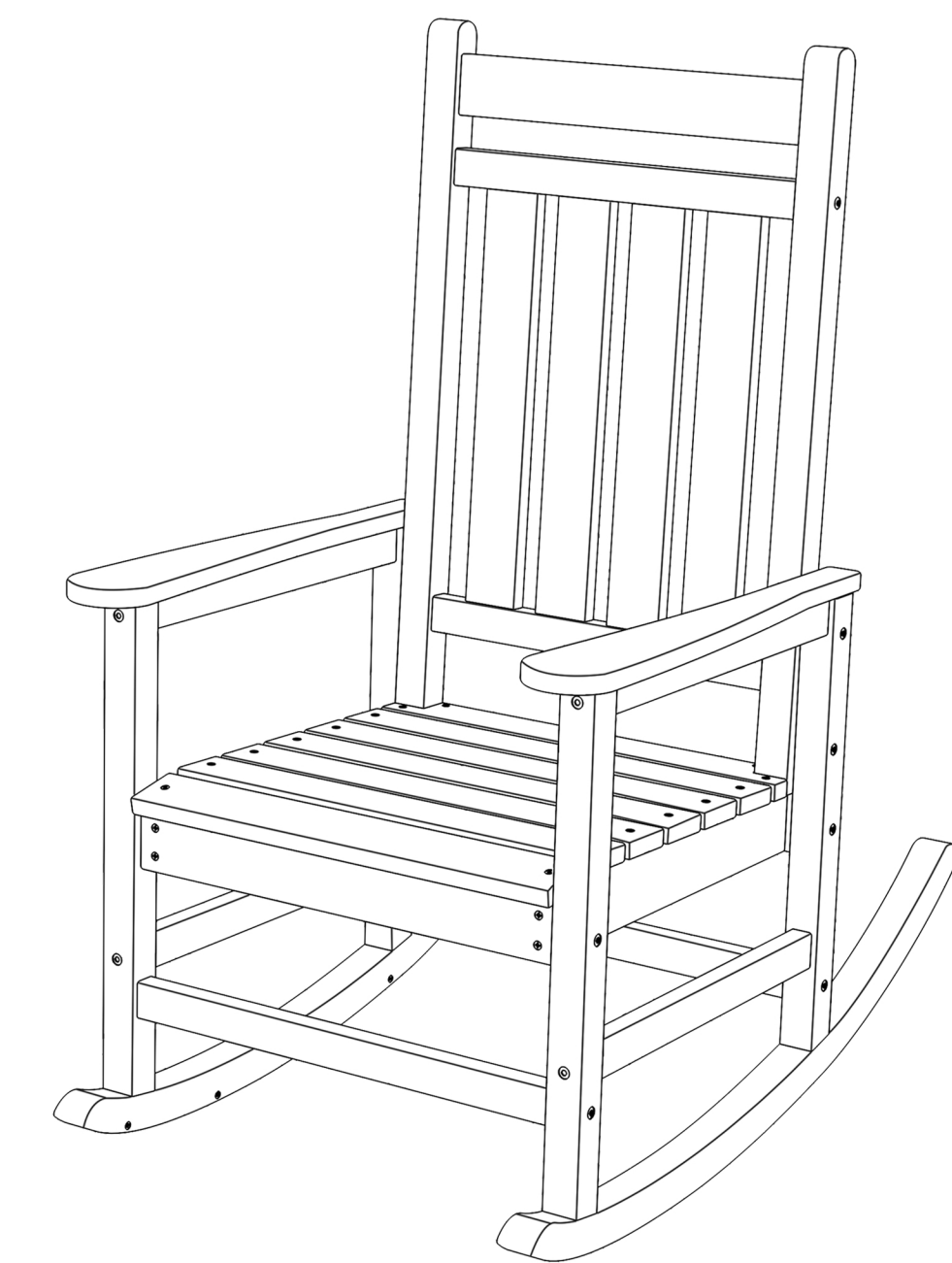


# HDPE ROCKING CHAIR

Assembly Instructions

A041-033-001

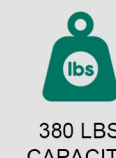


**Important - Please read these instructions fully before starting assembly**

## HASSLE-FREE WARRANTY

We stand behind the quality of our products.

For full warranty policy, email: [poly@homeselecting.com](mailto:poly@homeselecting.com)

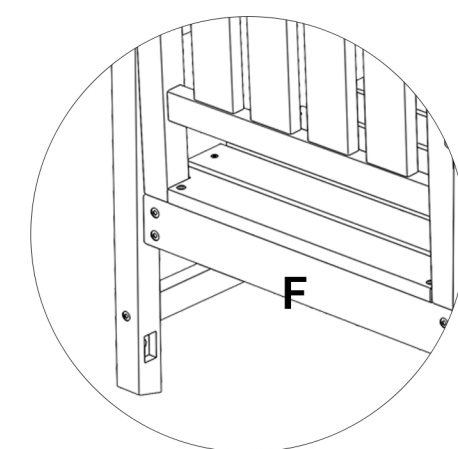
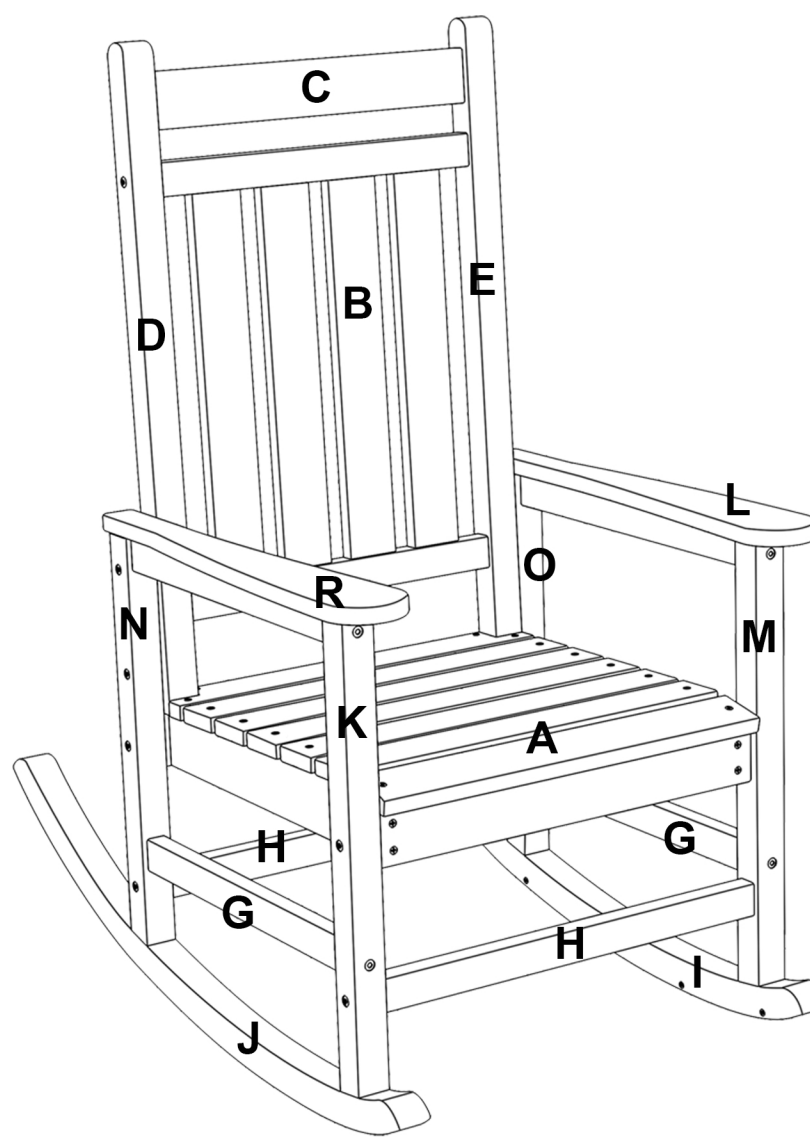


## Components

If you need help or have damaged or missing parts, please email: [poly@homeselecting.com](mailto:poly@homeselecting.com)

Please check you have all the components listed below.

Note: The illustration of the product shows the exact position of each part. Check when assembling. Using electric screw driver to assemble is recommended.

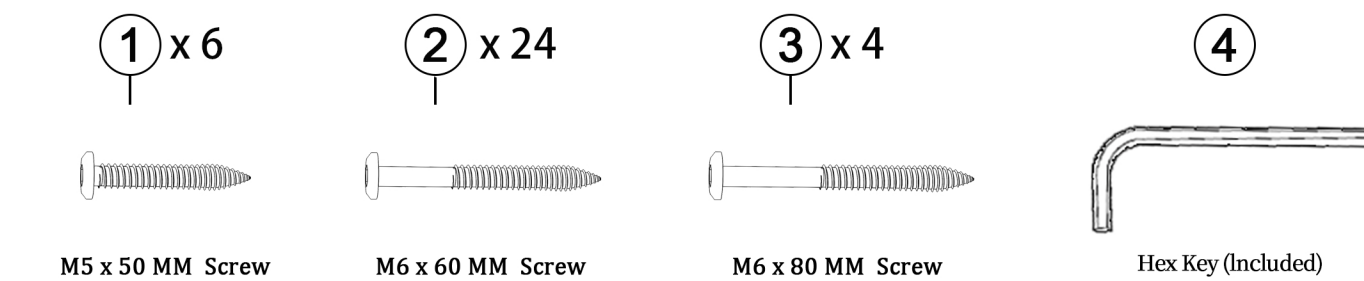


A		1pc
B		1pc
C		1pc
D		1pc
E		1pc
F		1pc
G		2pc
H		2pc
I		1pc
J		1pc
L		1pc
R		1pc
M		1pc
K		1pc
N		1pc
O		1pc

## Hardware & Tools

If you need help or have damaged or missing parts, please email: [poly@homeselecting.com](mailto:poly@homeselecting.com)

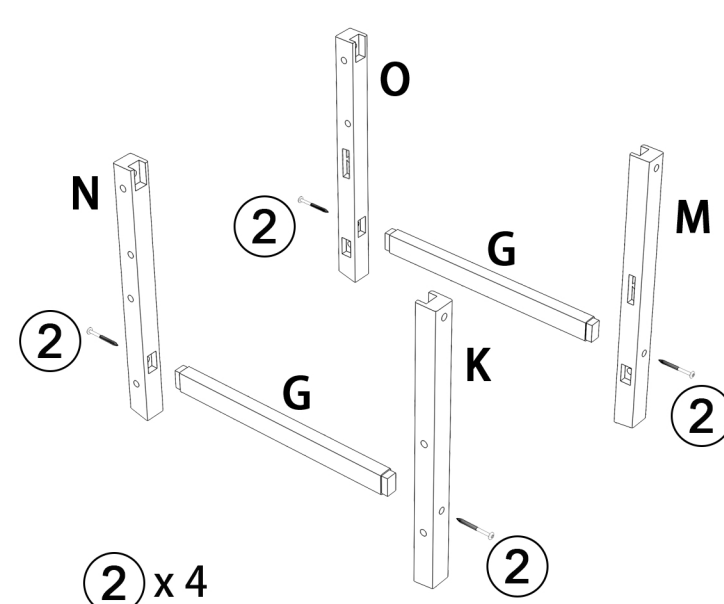
Note: The quantities below are the correct amount to complete the assembly. In some cases more fittings may be supplied than required.



## Assembly Instructions

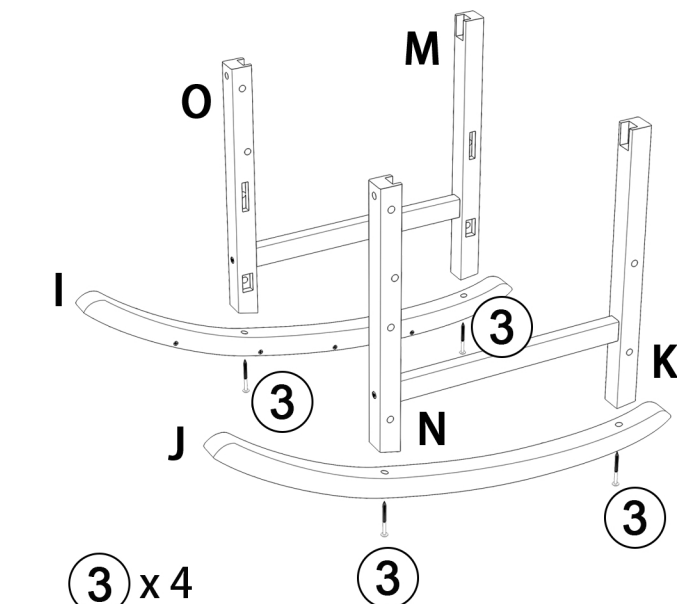
If you need help or have damaged or missing parts, please email: [poly@homeselecting.com](mailto:poly@homeselecting.com)

**Caution:** Please do not over-tighten bolts and screws during assembly.



**STEP 1**  
Attach "(G)" to "(N)" and "(K)" - Using "2 M6 x 60MM Screw", tighten with Hex Key.

Attach "(G)" to "(O)" and "(M)" - Using "2 M6 x 60MM Screw", tighten with Hex Key.

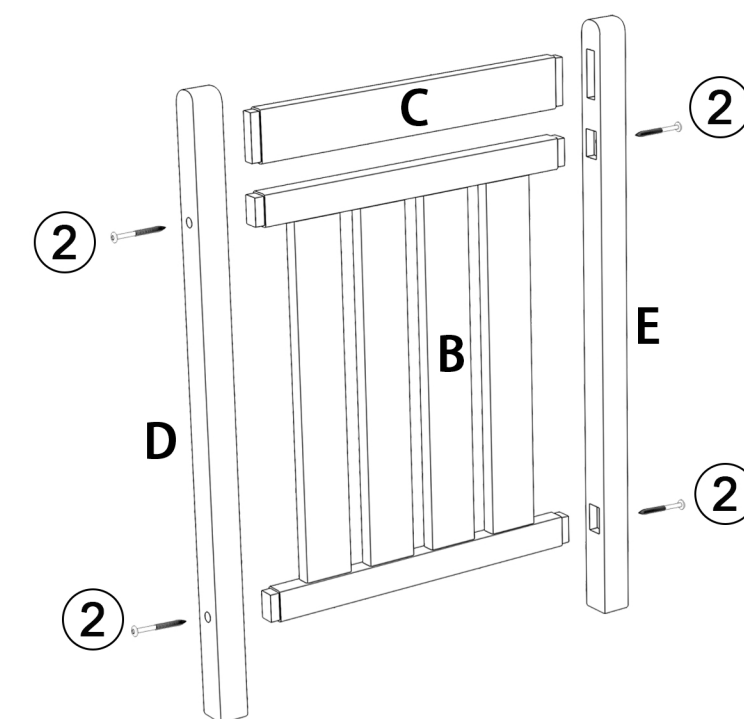


**STEP 2**  
Attach "(I)" and "(J)" to the Legs - Using "3 M6 x 80MM Screw", tighten with Hex Key. [You've got two "Side Frames"]

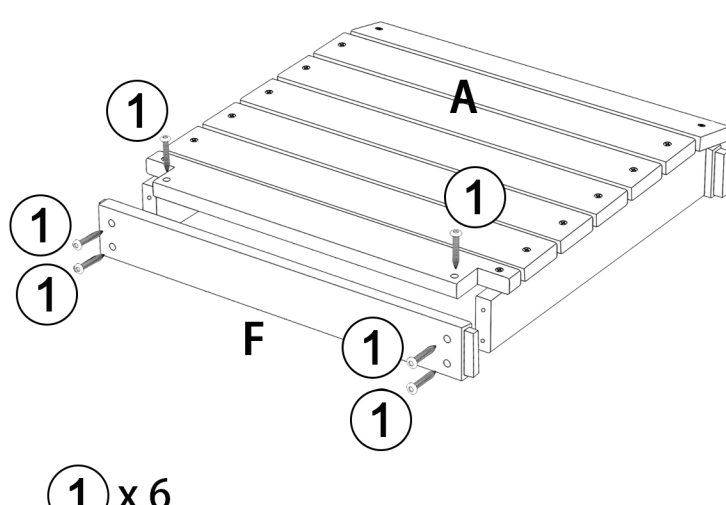
## Assembly Instructions

If you need help or have damaged or missing parts, please email: [poly@homeselecting.com](mailto:poly@homeselecting.com)

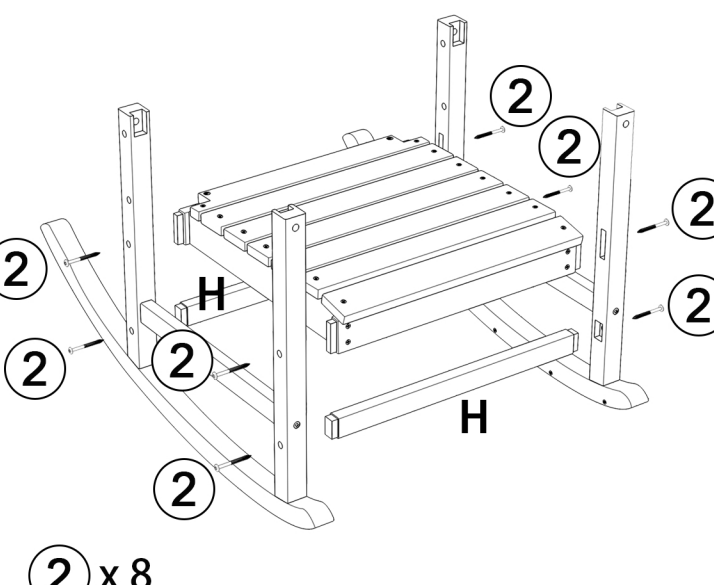
**Caution:** Please do not over-tighten bolts and screws during assembly.



**2 x 4**  
**STEP 3**  
Attach "(B)" and "(C)" to "(D)" and "(E)" - Using "2 M6 x 60MM Screw", tighten with Hex Key. [You've got the "Backrest"]



**STEP 4**  
Attach "(F)" to "(A)" - Using "1 M5 x 50MM Screw", tighten with Hex Key. [You've got the "Seat"]

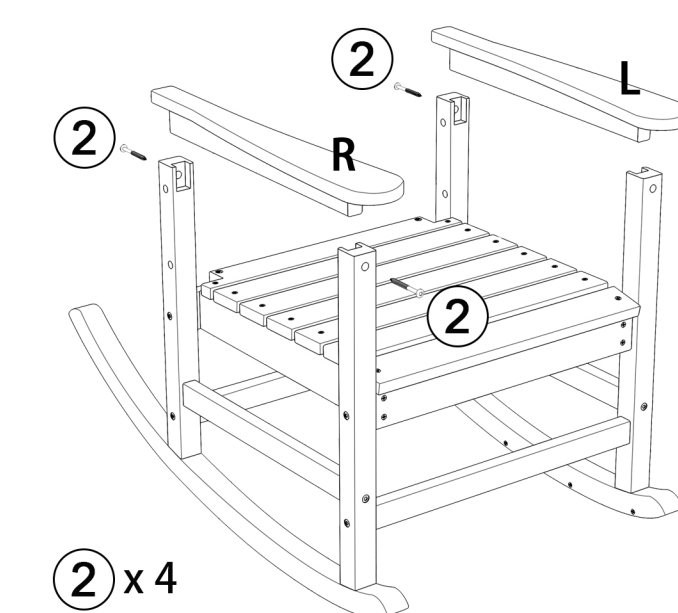


**STEP 5**  
Attach the "Seat" and "(H)" to the "Side Frames" - Using "2 M6 x 60MM Screw", tighten with Hex Key.

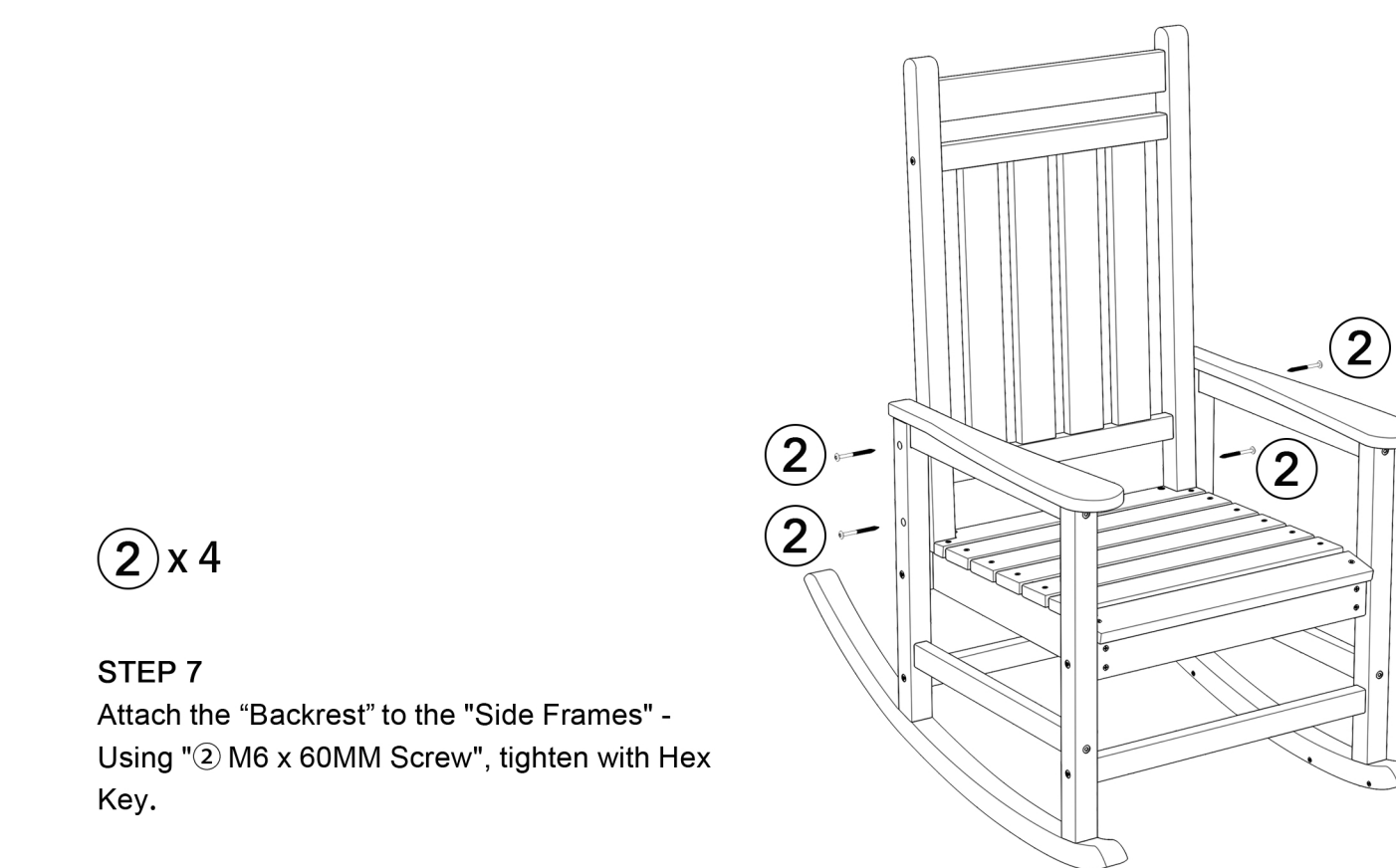
## Assembly Instructions

If you need help or have damaged or missing parts, please email: [poly@homeselecting.com](mailto:poly@homeselecting.com)

**Caution:** Please do not over-tighten bolts and screws during assembly.



**STEP 6**  
Attach "(L)" and "(R)" to the "Side Frames" - Using "2 M6 x 60MM Screw", tighten with Hex Key.



**STEP 7**  
Attach the "Backrest" to the "Side Frames" - Using "2 M6 x 60MM Screw", tighten with Hex Key.

## Warnings

If you need help or have damaged or missing parts, please email: [poly@homeselecting.com](mailto:poly@homeselecting.com)

**Important - Please read these instructions fully before starting assembly**

Check you have all the components and tools listed on the page 2.

Remove all fittings from the plastic bags and separate them into their groups.

Keep children and animals away from the work area, small parts may cause choking if swallowed.

Make sure you have enough space to layout the parts before starting.

Assemble on a soft level surface to avoid damaging the unit or your floor.

Do not stand or put weight on the product, this could cause damage.

Assemble the item as close to its final position (in the same area) as possible.

Do not place furniture directly in front of radiators, fires, or any other source of heat.



The assembly will be easier with 2 people while 1 person could also do the job.



Refer to the LISTING page for specific installation videos.

## Cleaning & Maintenance

•Clean the product with a solution of mild soap and water. Dip a soft cloth or sponge into the solution and wipe down the entire surface.

•After cleaning, thoroughly rinse the furniture with water to remove any remaining soap residue.

•When not in use, cover the product with a protective cover to keep it clean and prolong its lifespan.