

Iron Plains® | K-20211-P5

12" round drop-in/undermount/vessel bathroom sink with Iron Black painted underside

Features

- Small round basin
- No faucet holes; requires wall- or counter-mount faucet
- Overflow drain



Sustainability



DISCONTINUED



Codes/Standards

ADA, OBC, CSA B651 compliant when installed to the specific requirements of these regulations.

ADA CSA B651 OBC

ASME A112.19.1/CSA B45.2

ADA

ICC/ANSI A117.1

CSA B651

OBC

Technical Information

With Overflow:	Yes
Drain Hole Diameter:	1-3/4" (44 mm)
Basin Configuration:	Single Bowl
Basin Length:	10-3/16" (259 mm)
Basin Width:	10-3/16" (259 mm)
Basin Depth:	4-1/2" (115 mm)

Material

- KOHLER® enameled cast iron
- Painted underside in Iron Black

Recommended Products/Accessories

K-23726 Drain treatment

K-23725 Cast iron cleaner

Warranty

See website for detailed warranty information.

KOHLER® Enameled Cast Iron Kitchen and Bathroom Sink Lifetime Limited Warranty

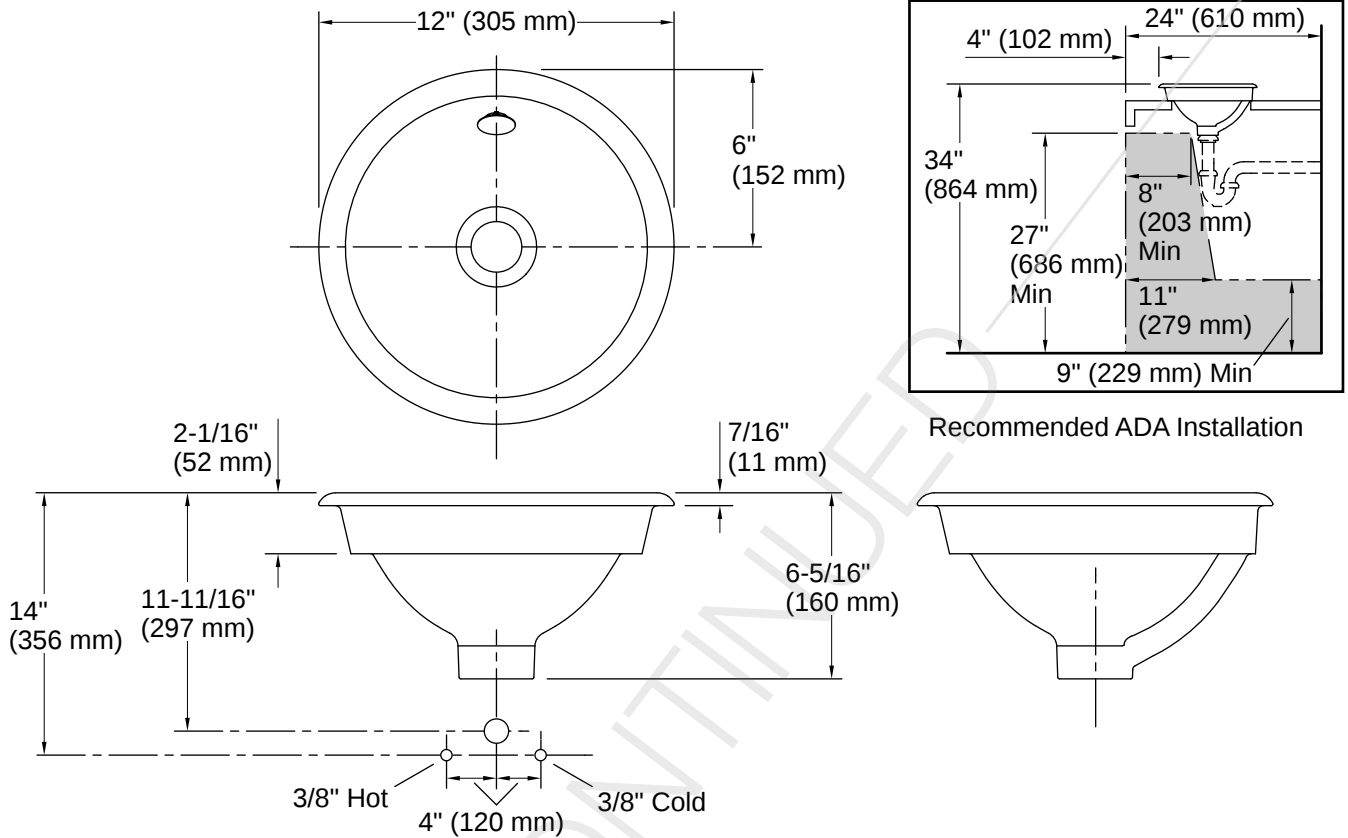


1-800-4KOHLER (1-800-456-4537)

Kohler Co. reserves the right to make revisions without notice to product specifications.

For the most current specification sheet, go to www.kohler.com USA or www.kohler.ca Canada.

3-27-2026 17:16 - US-CA



Installation

- Vessel, drop-in, or undermount

Installation Notes

Install this product according to the installation instructions.

NOTICE: Countertop manufacturer or cutter must use the cut-out template provided with the product, or a current one provided by Kohler Co. (call 1-800-4-KOHLER). Kohler Co. is not responsible for cutout errors when the incorrect cut-out template is used.

ADA, OBC, CSA B651 compliant when installed to the specific requirements of these regulations.

