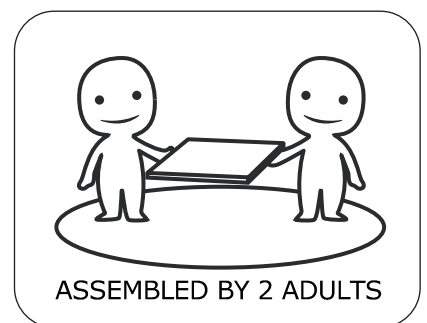
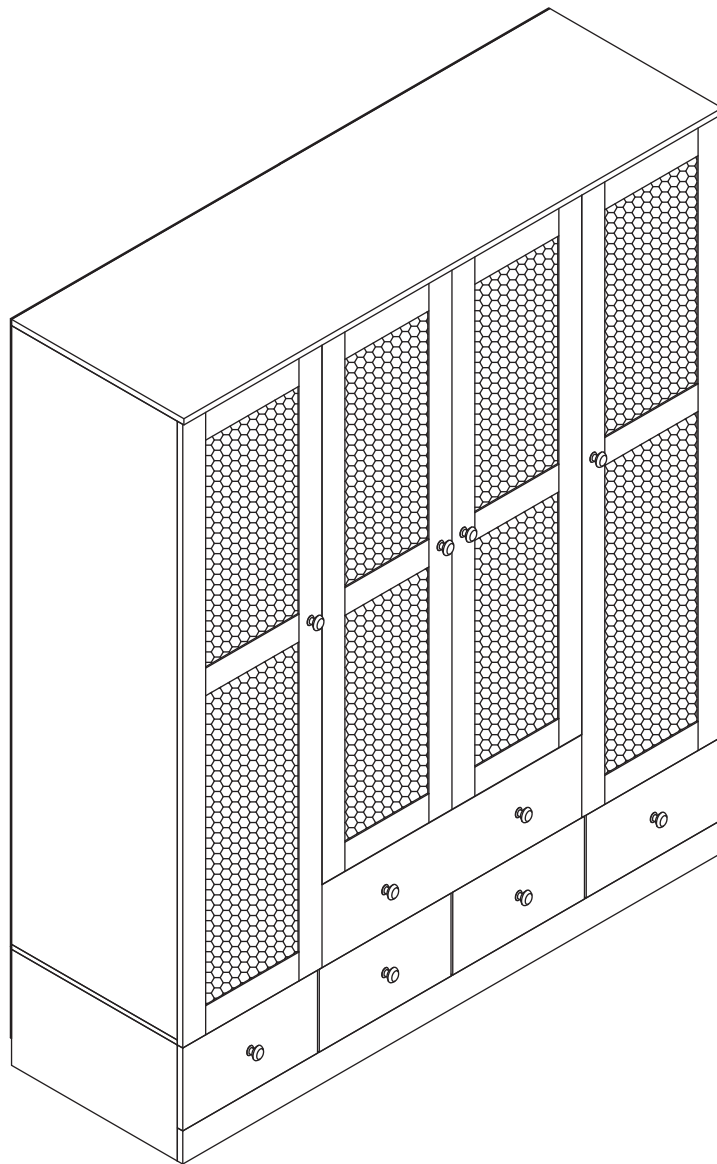
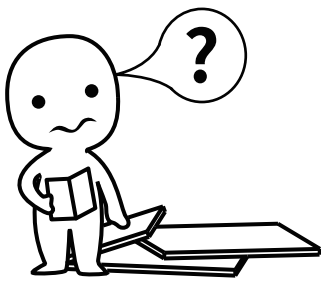


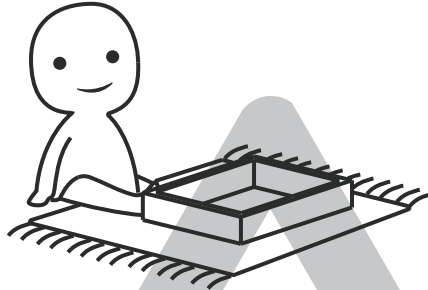
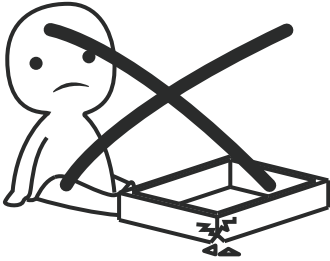
Display Cabinet





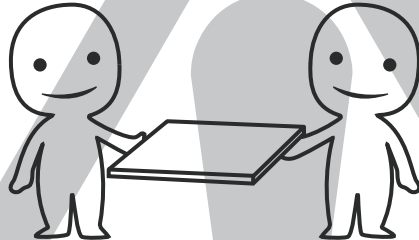
IMPORTANT INFORMATION!

please read the entire manual before starting to assemble and/or using this product. follow the manual thoroughly and keep it for further reference.



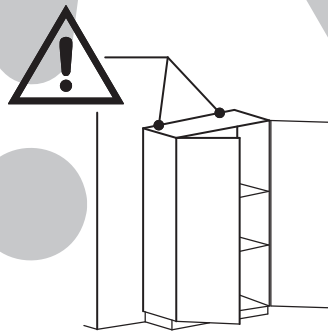
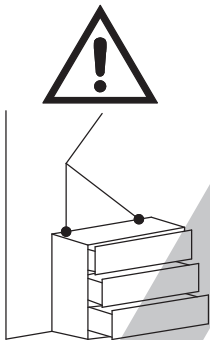
AVOID SCRATCHES!

In order to avoid scratching this furniture should be assembled on a soft layer—could be a rug.



IMPROVE EFFICIENCY !

Try to find a partner to install with you, which can speed up the installation efficiency and shorten the time.



ANTI-TOPPLE WARNING !

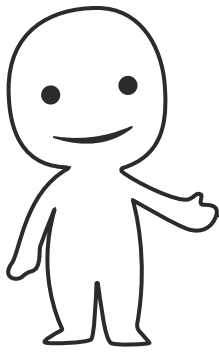
Overturnd furniture can cause serious or fatal crush injuries. To prevent tipping over, be sure to use the wall attachment, if not included with this product. Please purchase the wall attachment that fit your wall. If unsure, seek professional advice. Please read and follow each step of the instructions carefully.

IMPORTANT !

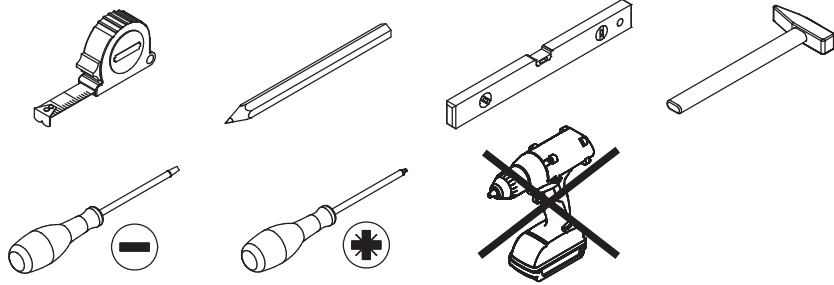
It is important that any product which is assembled using any kind of screw is re-tightened 2 weeks after assembly, and once every 3 months - in order to assure stability through-out the lifespan of the product.

For regular maintenance and cleaning of the product, for the frame, please use a rag dipped in neutral detergent to fully wipe it, and then dry it with a clean rag. For glass materials, wipe with a rag dampened with water glass cleaner, and then dry with a dry rag.

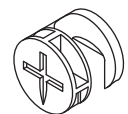
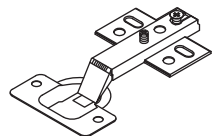
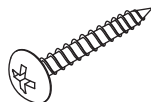
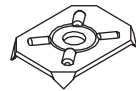
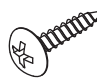

Do not use an electric screwdriver, and do not use too much force when installing, because the board is easy to break.

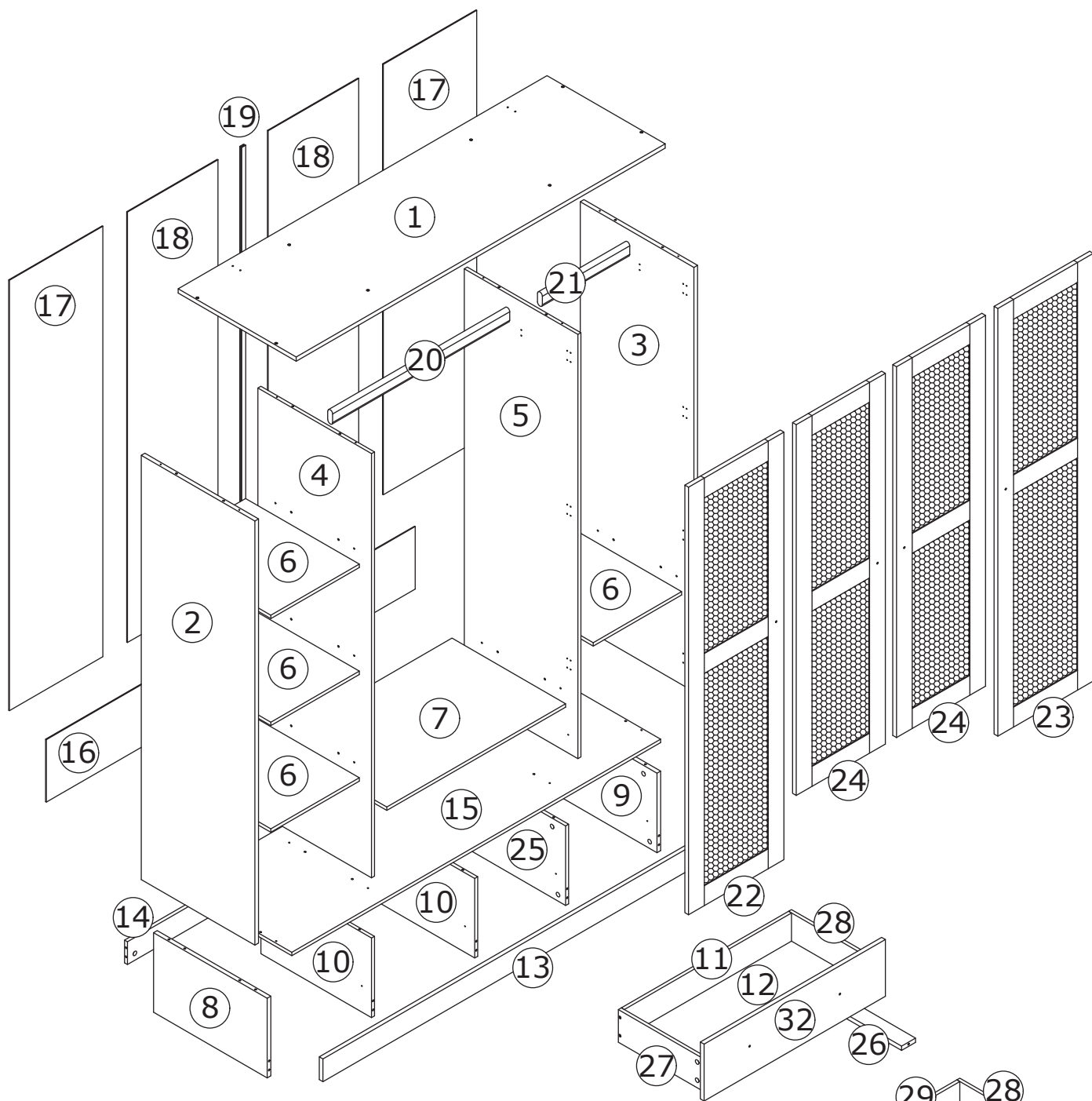


Please prepare the following tools



When installing, please carefully confirm whether each screw corresponds to the manual, accessories with similar shapes can be distinguished by size

| | | | | |
|---|---|---|--|---|
| <p>A x 58</p>  <p>Ø6 x 35 mm</p> | <p>B x 58</p>  <p>Ø15 x 9.5 mm</p> | <p>C x 42</p>  <p>Ø4 x 35 mm</p> | <p>D x 56</p>  <p>Ø6 x 30 mm</p> | <p>E x 50</p>  <p>Ø3.5 x 12 mm</p> |
| <p>F x 84</p>  <p>Ø4 x 12 mm</p> | <p>G x 8</p>  | <p>H x 10</p>  <p>Ø4 x 25 mm</p> | <p>I x 10</p>  | <p>J x 4</p>  |
| <p>K x 42</p>  <p>Ø2.5 x 14 mm</p> | <p>L x 14</p>  | <p>M x 2</p>  | <p>N x 4</p>  <p>Ø4 x 12 mm</p> | <p>O x 2</p>  |
| <p>P x 6</p>  | <p>Q x 1</p>  | <p>CL x 5</p>  | <p>CR x 5</p>  | <p>DL x 5</p>  |
| <p>DR x 5</p>  | | | | |



⚠ WARNING

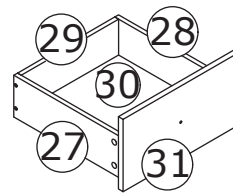


Children have died from furniture tipover. To reduce the risk of furniture tipover:

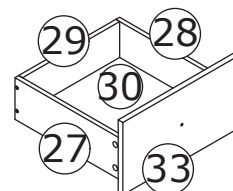
- ALWAYS install tipover restraint provided.
- NEVER put a TV on this product.
- NEVER allow children to stand, climb or hang on drawers, doors, or shelves.
- NEVER open more than one drawer at a time.
- Place heaviest items in the lowest drawers.



*This is a permanent label.
Do not remove!*



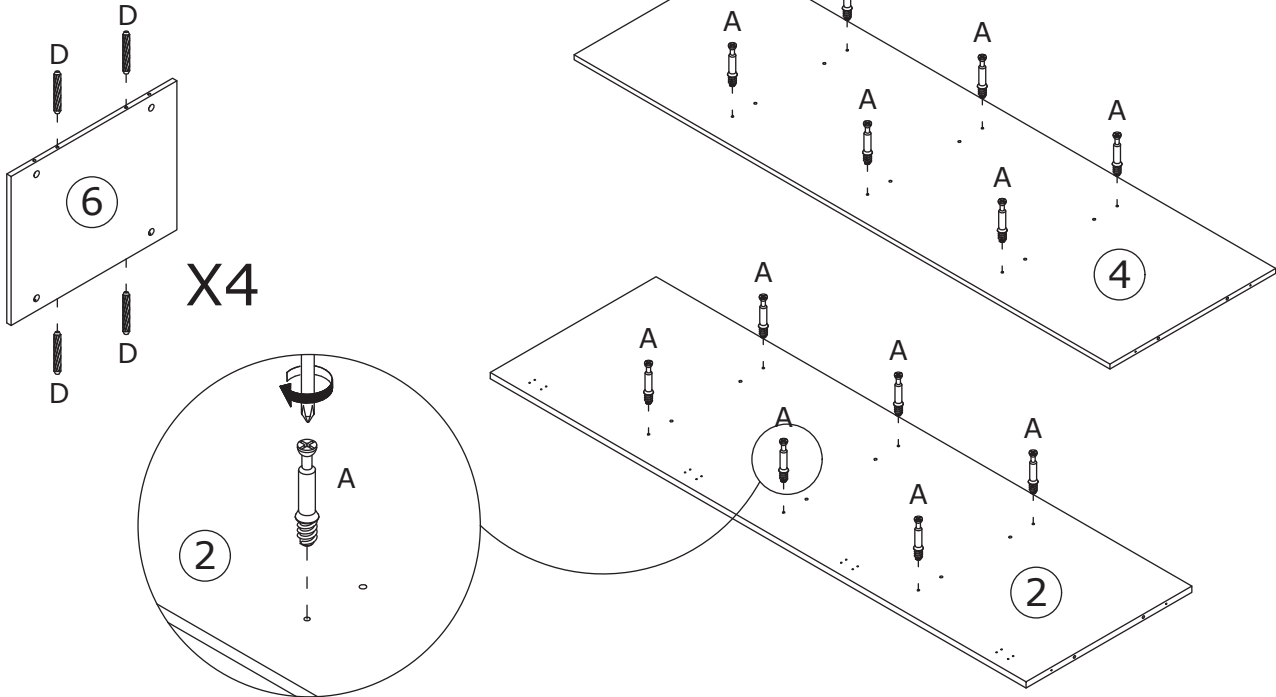
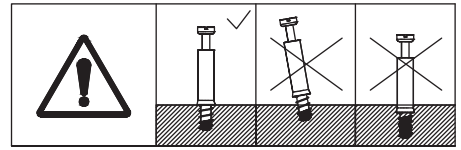
X2



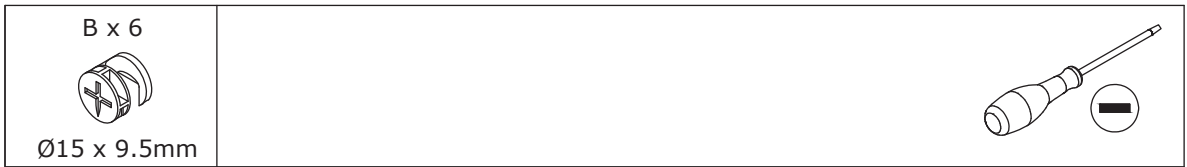
1



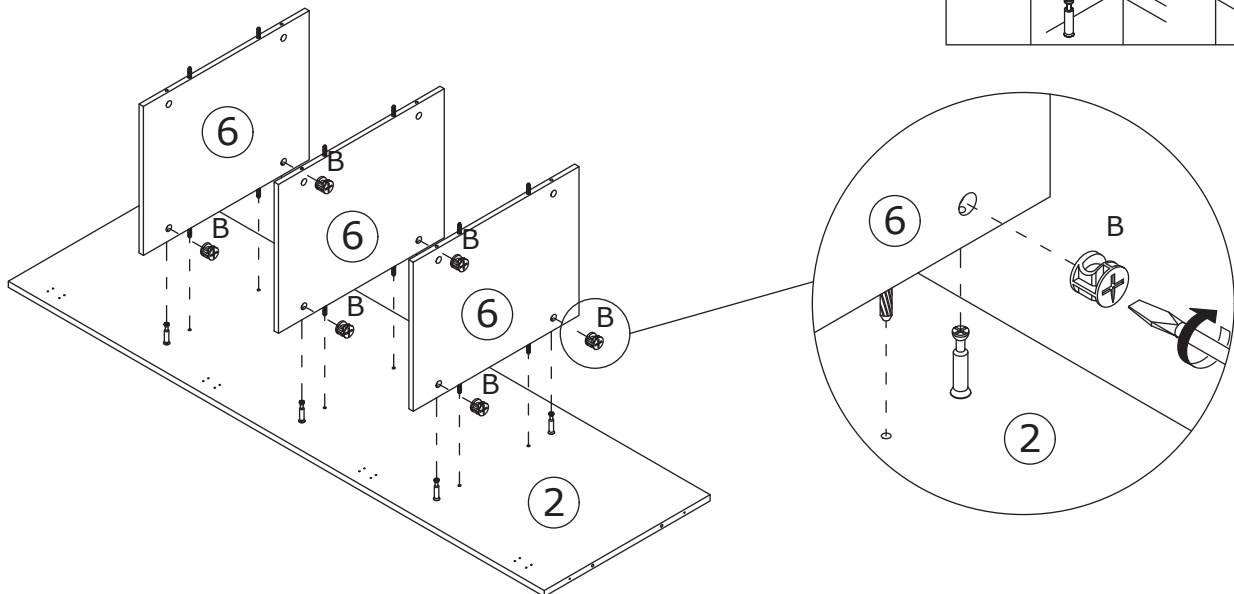
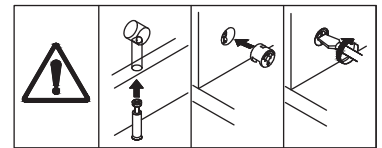
Screw eccentric rod(A) into board 2 and 4 with a screwdriver as shown.
Insert wooden dowel(D) into board 6 at first.



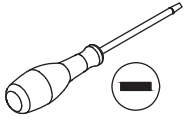
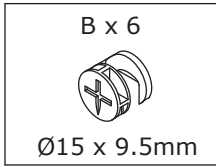
2



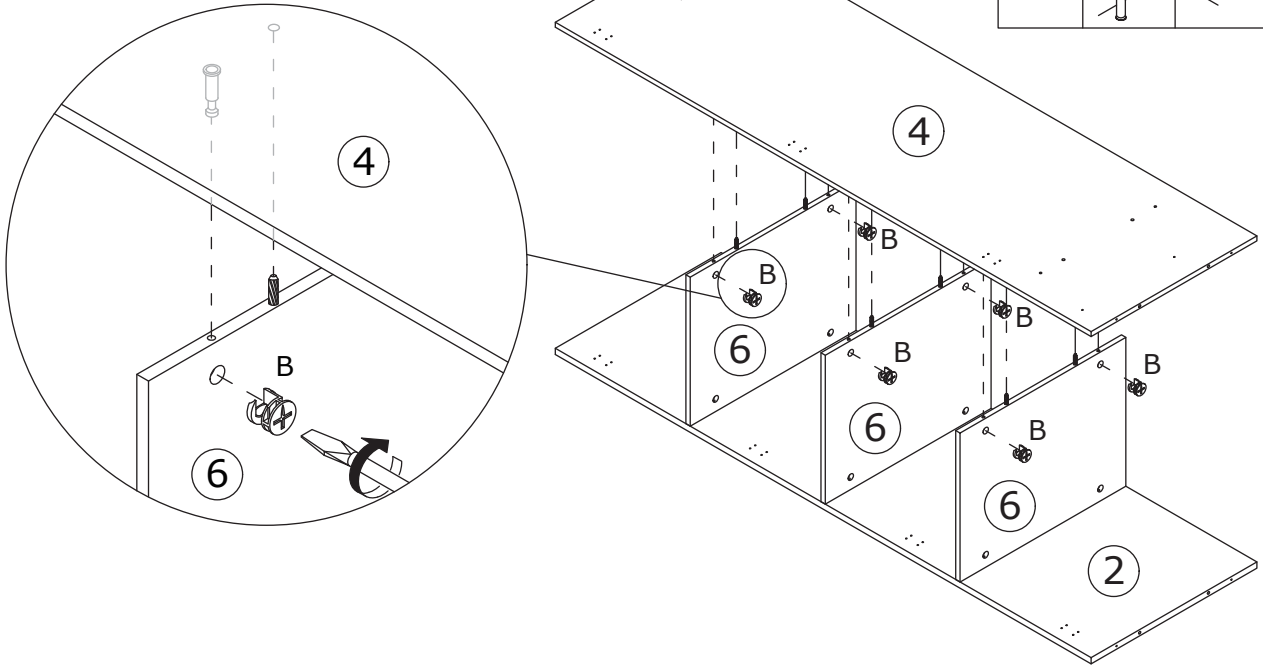
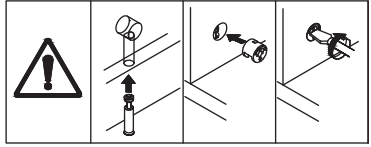
Attach board 6 to board 2, add cam lock(B) into board 6 and turn clockwise to tighten as shown.



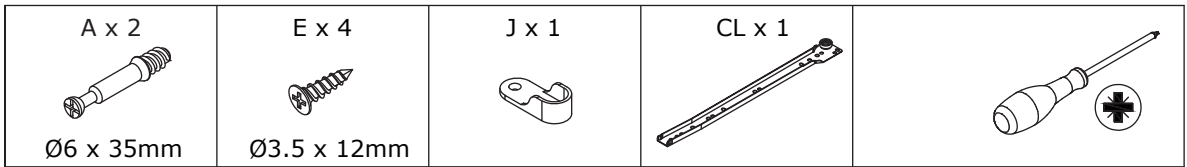
3



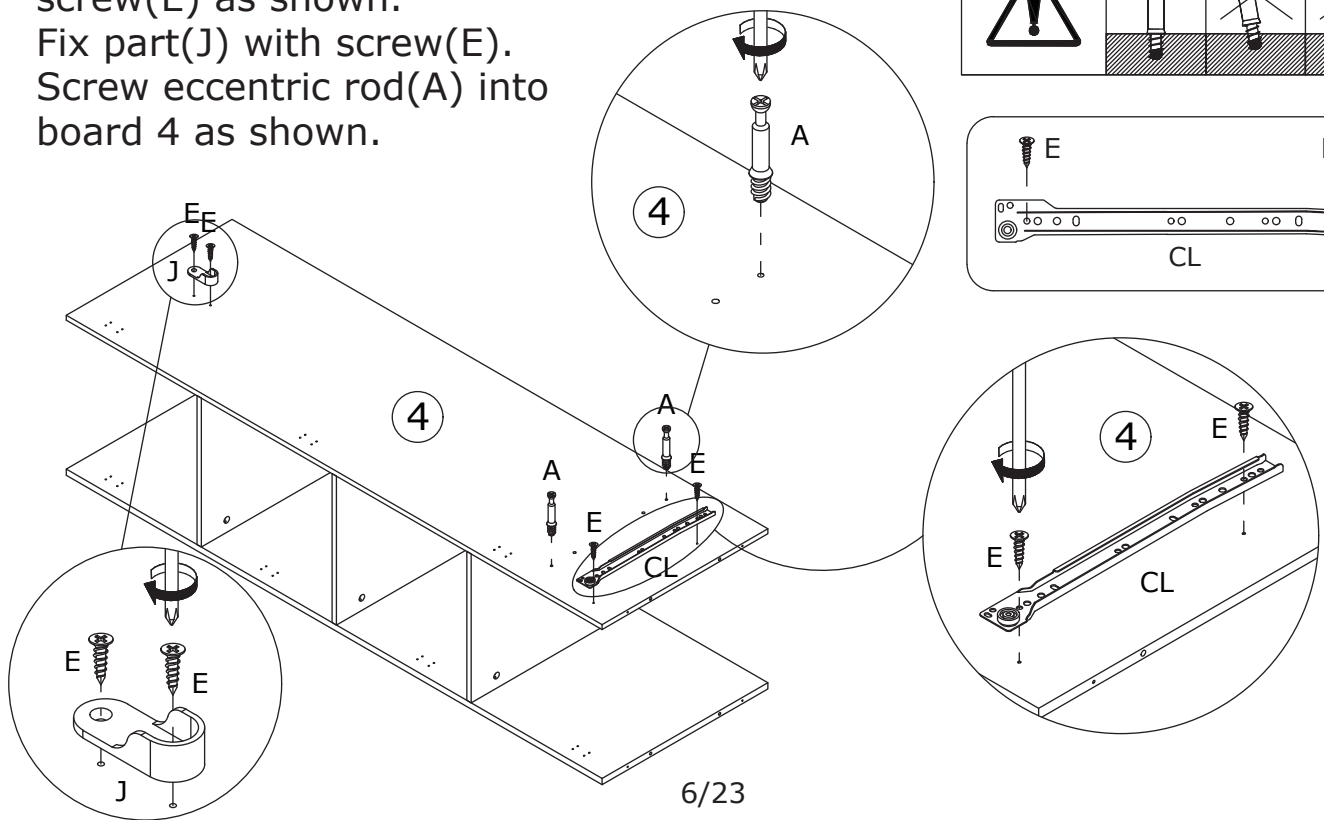
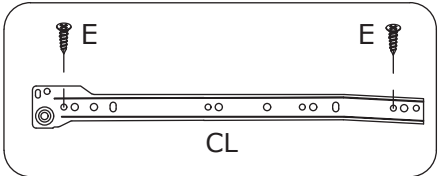
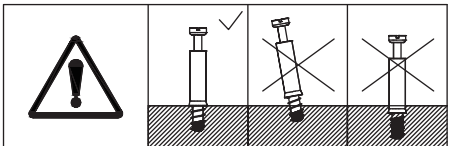
Attach board 4 to board 6, add cam lock(B) into board 6 and turn clockwise to tighten as shown.



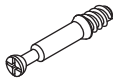


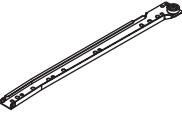
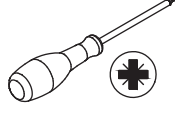
4



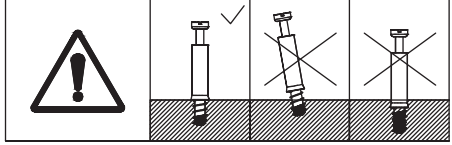
Fix slide rail(CL) to board 4 with screw(E) as shown.
Fix part(J) with screw(E).
Screw eccentric rod(A) into board 4 as shown.



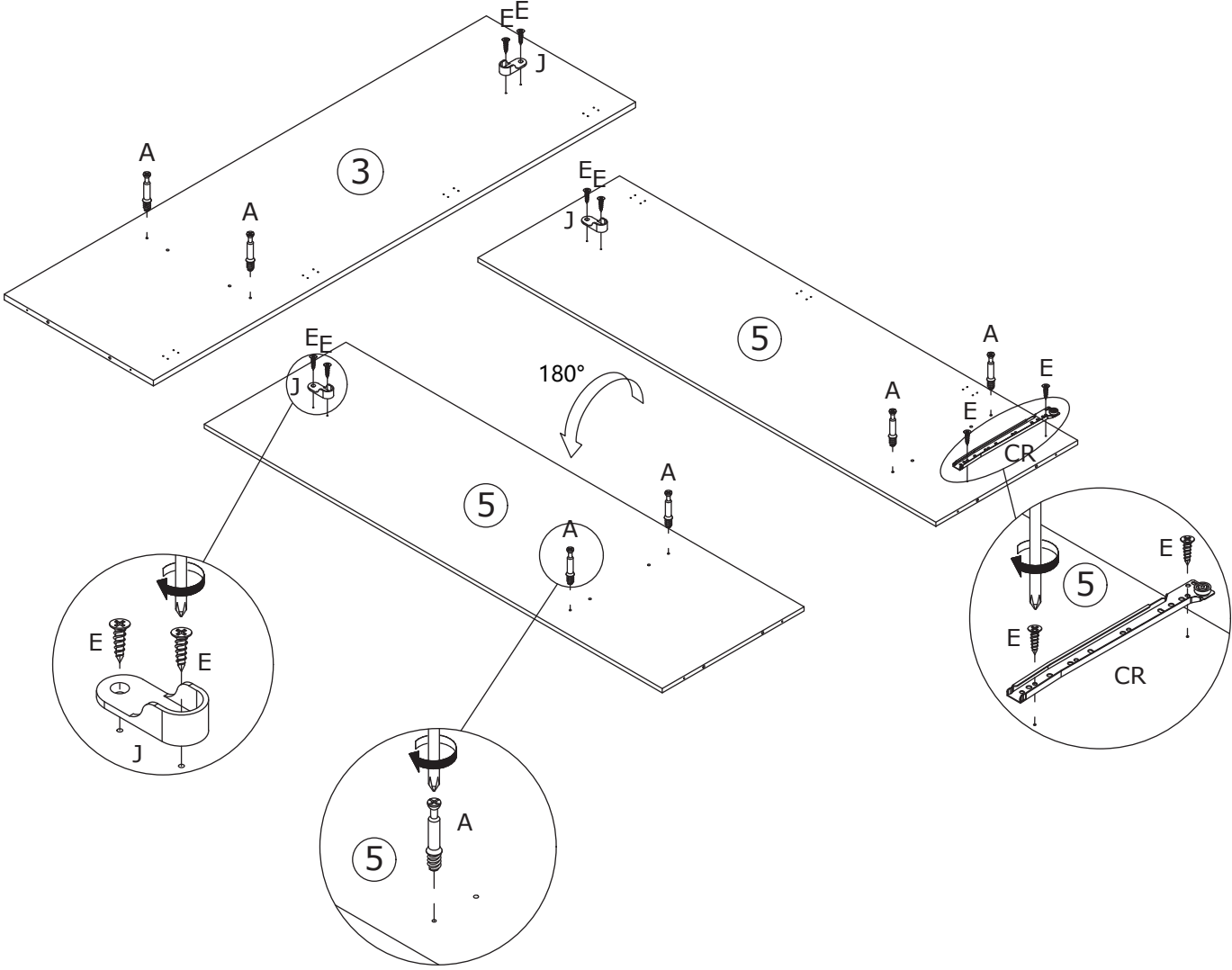
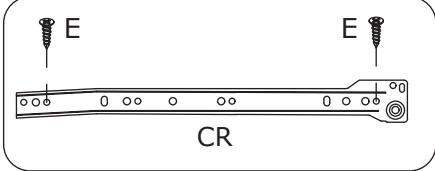
5

| | | | | |
|---|---|--|--|---|
| A x 6  Ø6 x 35mm | E x 8  Ø3.5 x 12mm | J x 3  | CR x 1  |  |
|---|---|--|--|---|

Screw eccentric rod(A) into board 3 and fix part(J) with screw(E) as shown.



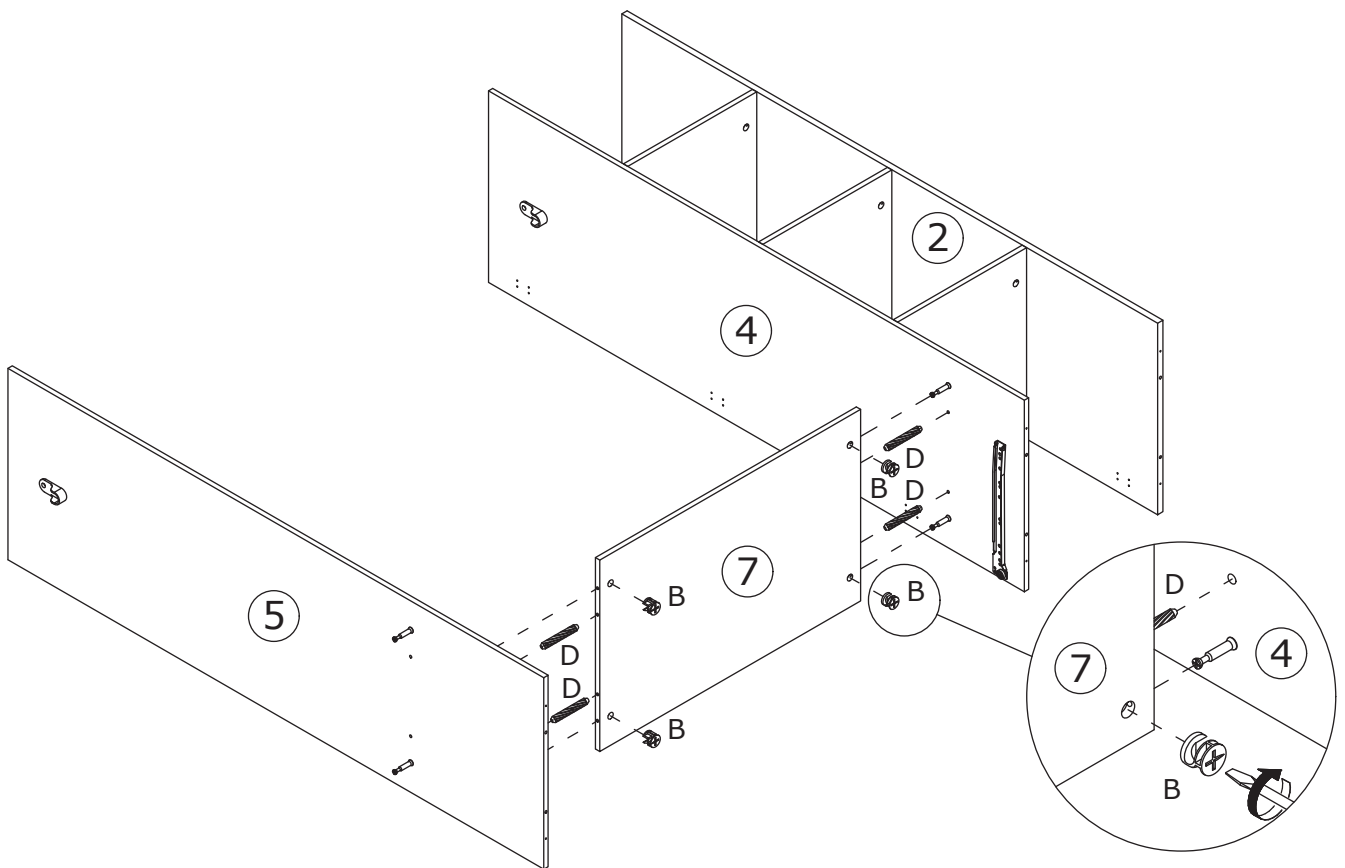
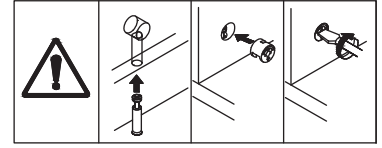
Screw eccentric rod(A) into board 5 and fix part(J) with screw(E) as shown. Flip the board 180°, screw eccentric rod(A), fix part(J) and slide rail(CR) with screw(E) as shown.



6



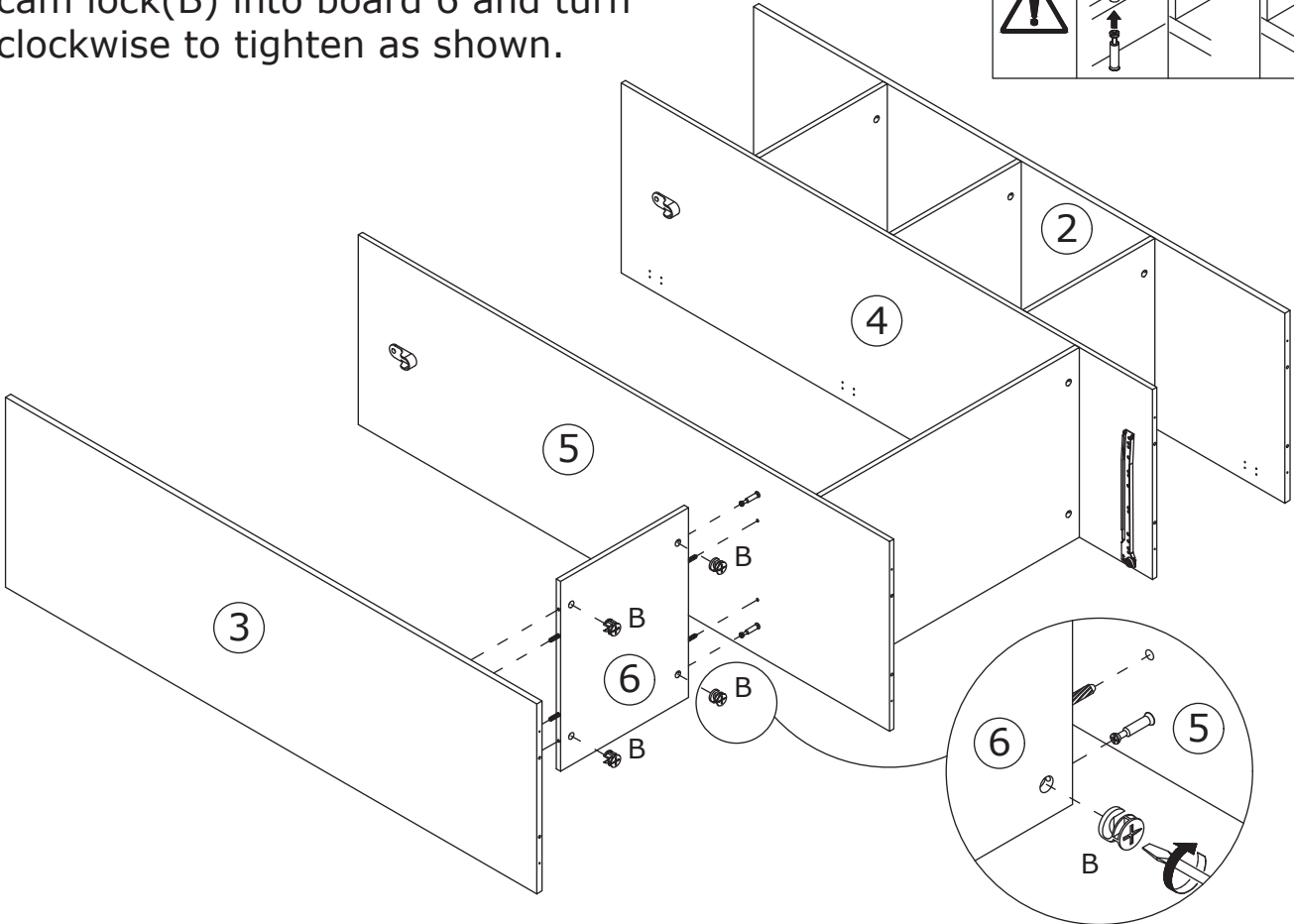
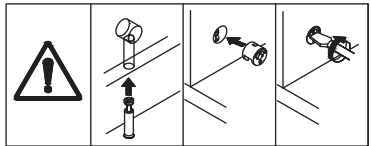
Insert wooden dowel(D) into board 7 at first.
Connect board 7 to board 4 and 5, add cam
lock(B) into board 7 and turn clockwise to
tighten as shown.



7

| | |
|---|---|
| <p>B x 4</p>  <p>Ø15 x 9.5mm</p> |  |
|---|---|

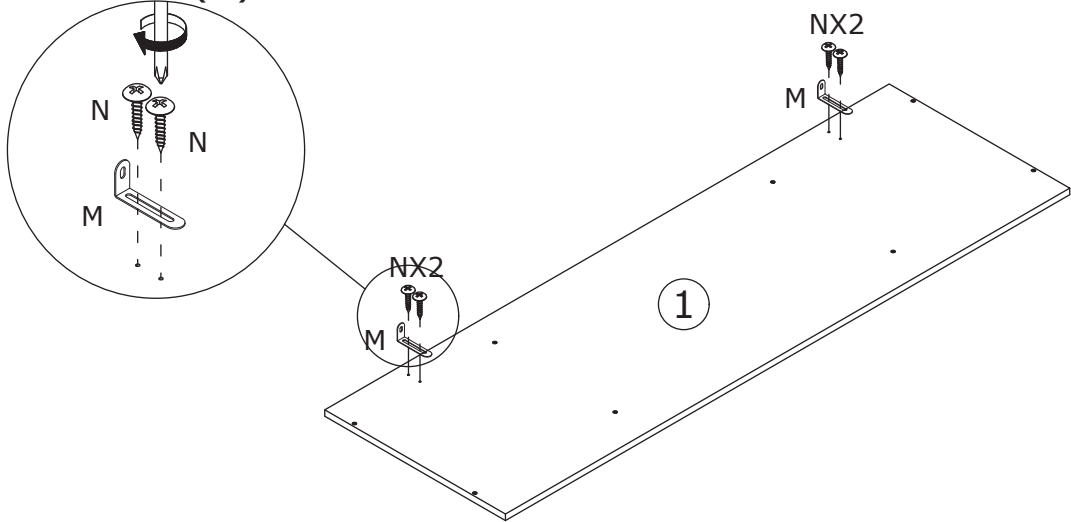
Connect board 6 to board 3 and 5, add cam lock(B) into board 6 and turn clockwise to tighten as shown.







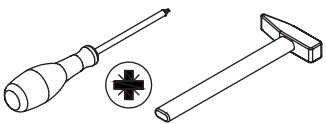
8

| | | |
|--|---|---|
| <p>M x 2</p>  | <p>N x 4</p>  <p>Ø4 x 12mm</p> |  |
|--|---|---|

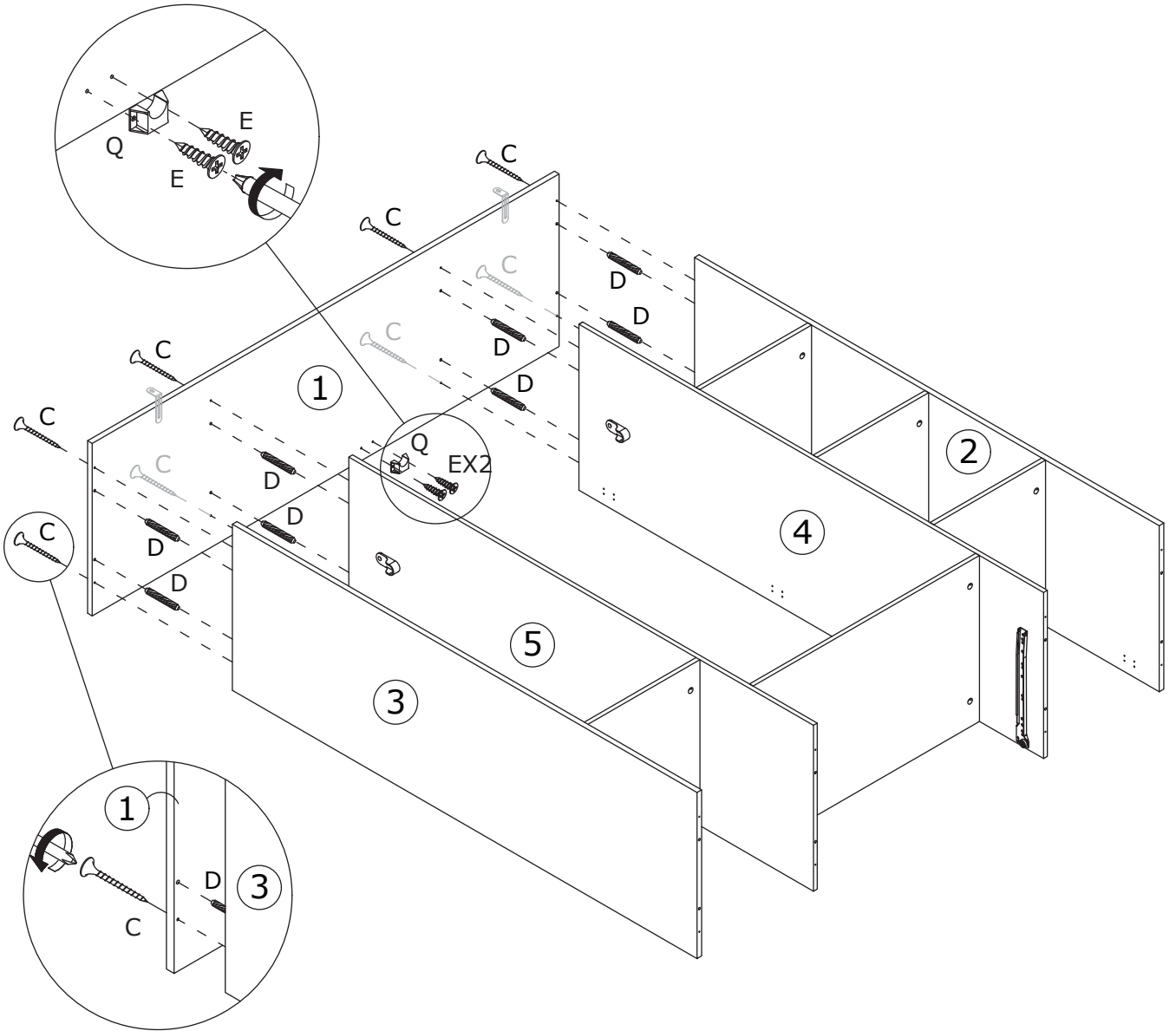
Fix part(M) to board 1 with screw(N) as shown.



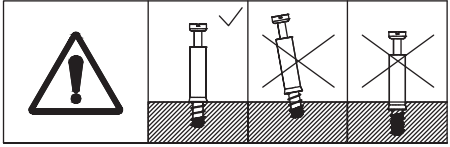
9

| | | | | |
|---|---|---|--|---|
| E x 2  Ø3.5 x 12mm | C x 8  Ø4 x 35mm | D x 8  Ø6 x 30mm | Q x 1  |  |
|---|---|---|--|---|

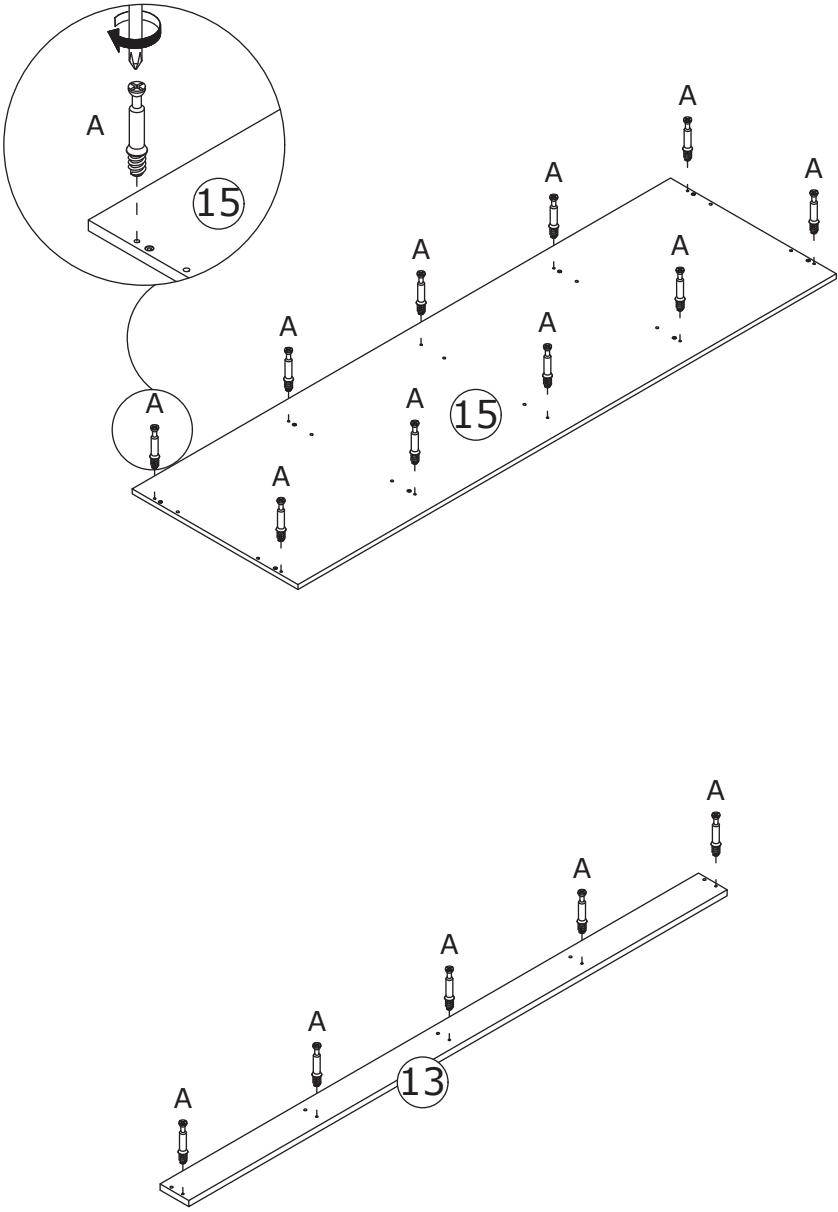
Insert wooden dowel(D) into board 1 at first.
Attach board 1 to board 3, 5, 4 and 2, then fix using screw(C) as shown.
Fix part(Q) to board 1 with screw(E) as shown.



10



Screw eccentric rod(A) into board 15 and 13 as shown.



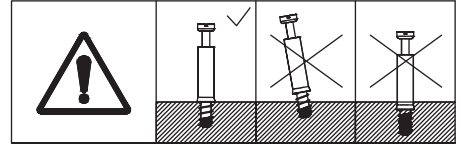
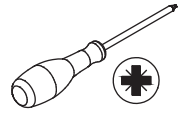
11

A x 17
Ø6 x 35mm

E x 16
Ø3.5 x 12mm

CL x 4

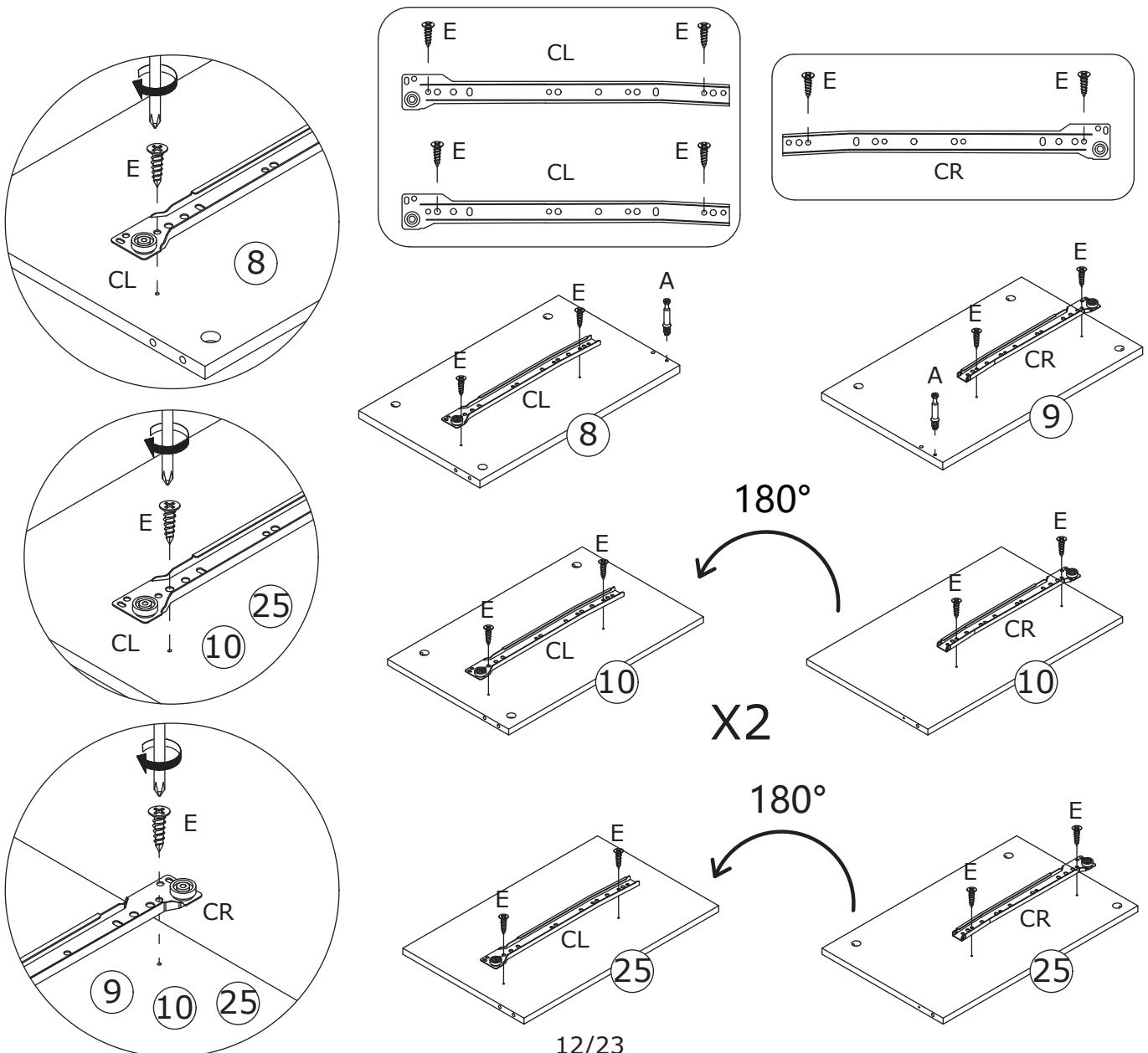
CR x 4



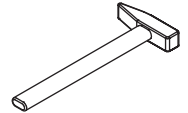
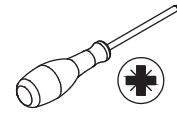
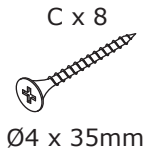
Fix slide rail(CL) and (CR) to board 8 and 9 with screw(E) as shown.

Fix slide rail(CL) and (CR) to board 10(only one) with screw(E) as shown.

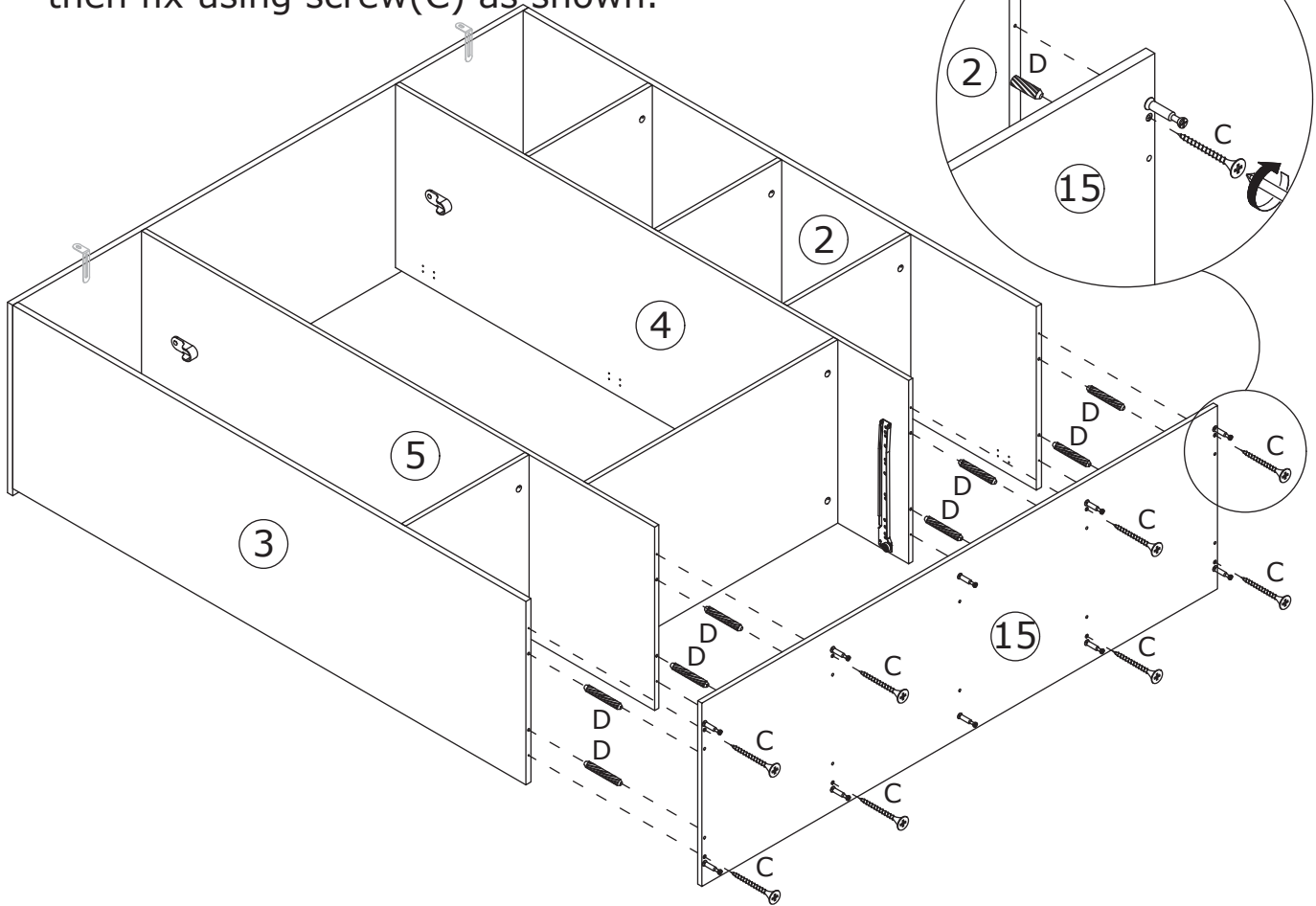
Fix slide rail(CL) and (CR) to board 25(only one) with screw(E) as shown.



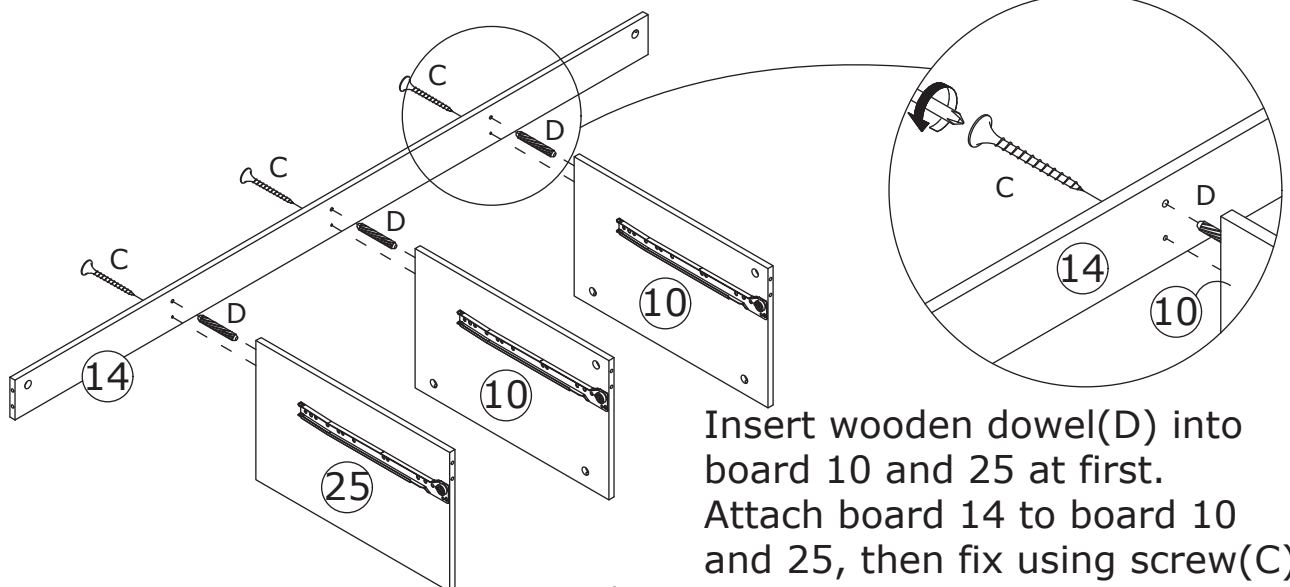
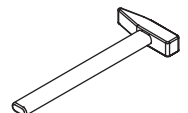
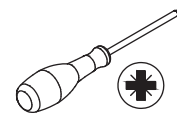
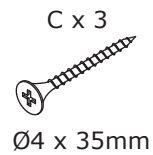
12



Insert wooden dowel(D) into board 15 at first.
Attach board 15 to board 3, 5, 4 and 2,
then fix using screw(C) as shown.



13



Insert wooden dowel(D) into
board 10 and 25 at first.
Attach board 14 to board 10
and 25, then fix using screw(C)
as shown.

14

B x 2

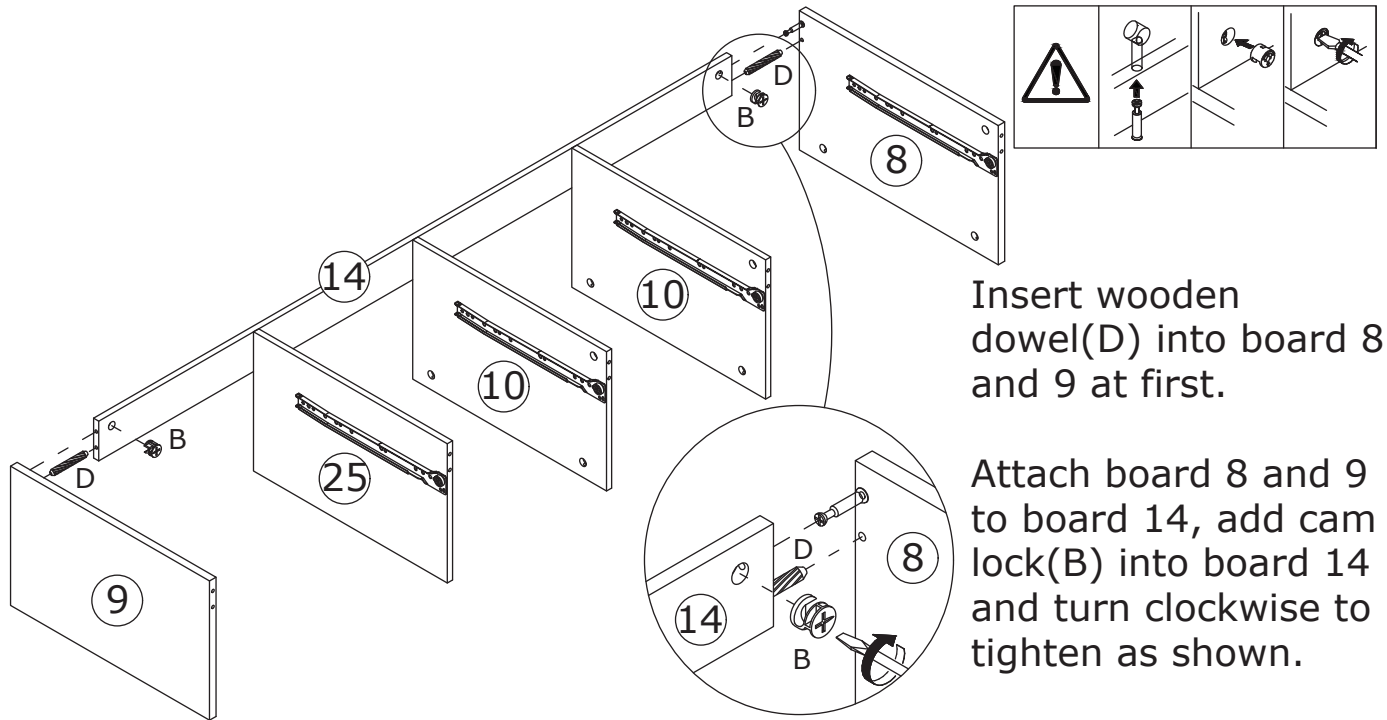
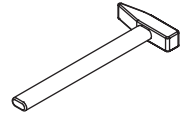
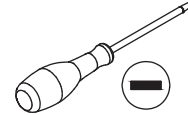


Ø15 x 9.5mm

D x 2



Ø6 x 30mm



Insert wooden dowel(D) into board 8 and 9 at first.

Attach board 8 and 9 to board 14, add cam lock(B) into board 14 and turn clockwise to tighten as shown.

15

B x 10

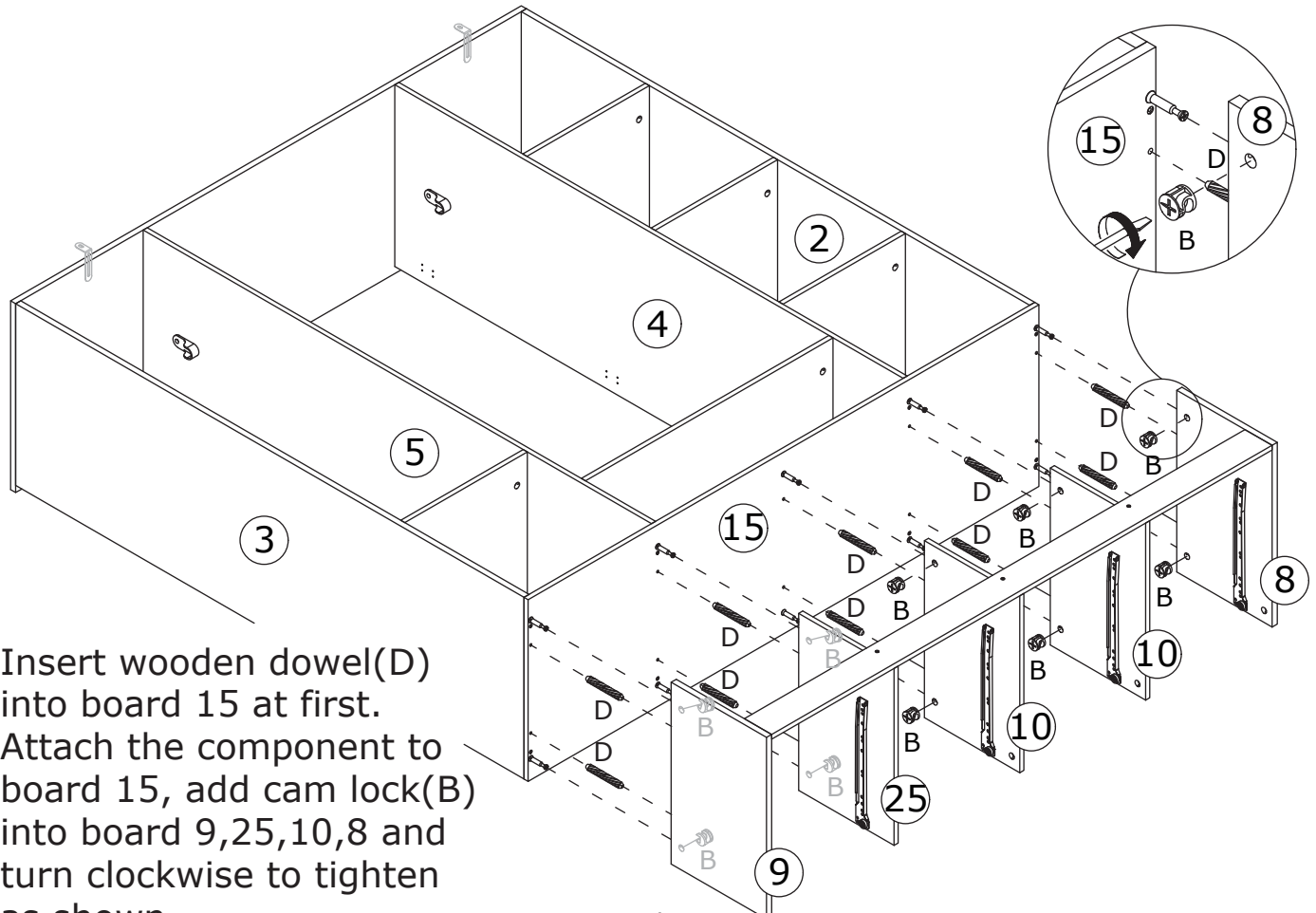
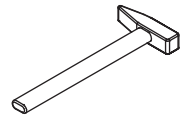
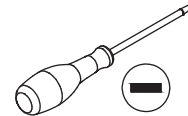


Ø15 x 9.5mm

D x 10



Ø6 x 30mm



Insert wooden dowel(D) into board 15 at first. Attach the component to board 15, add cam lock(B) into board 9,25,10,8 and turn clockwise to tighten as shown.

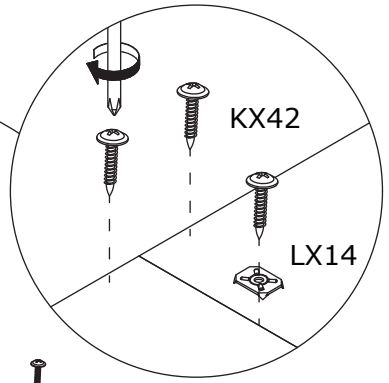
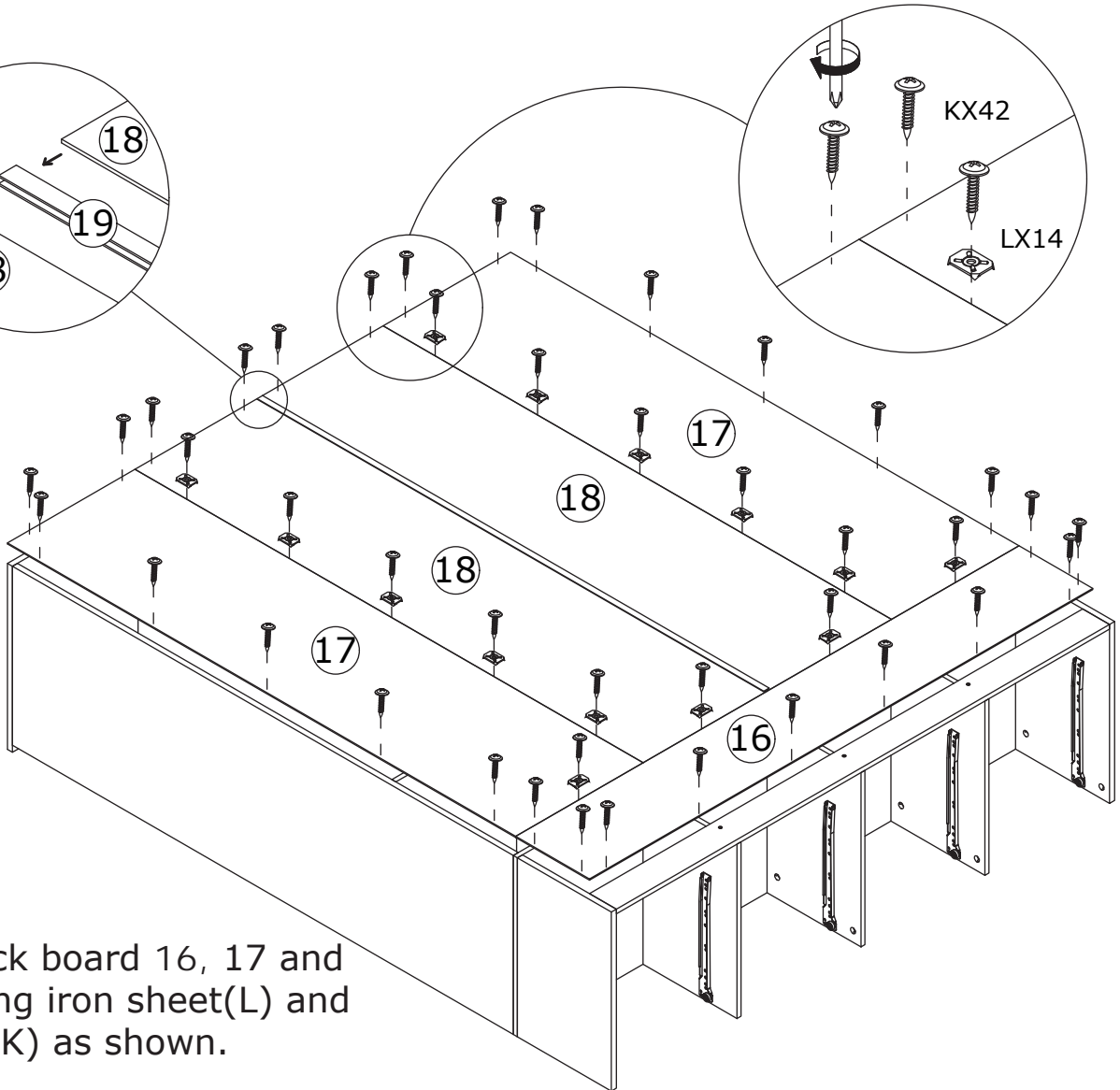
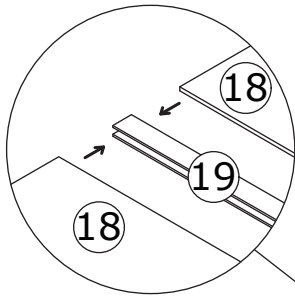
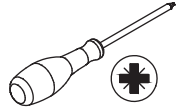
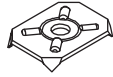
16

K x 42



Ø2.5 x 14mm

L x 14



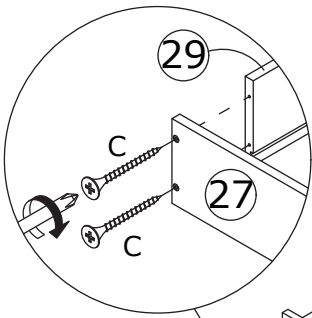
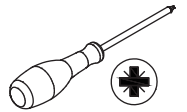
Fix back board 16, 17 and 18 using iron sheet(L) and screw(K) as shown.

17

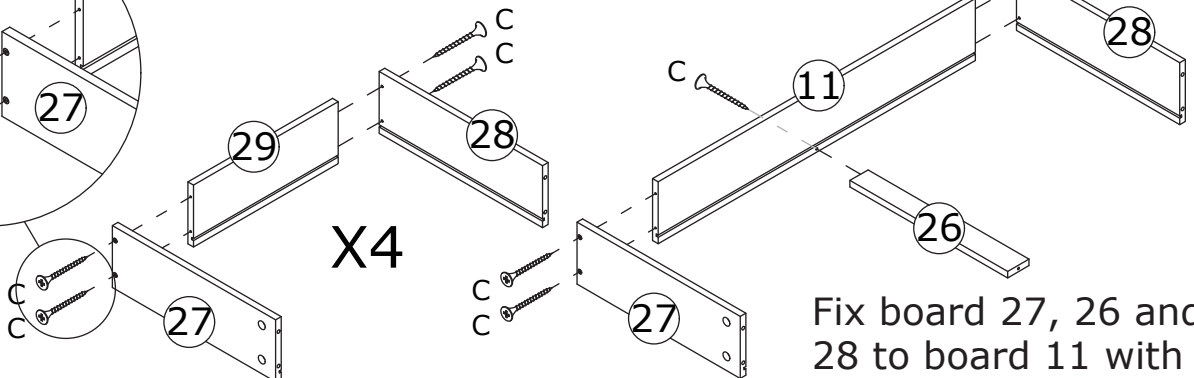
C x 21



Ø4 x 35mm



Fix board 27 and 28 to board 29 with screw(C) as shown.

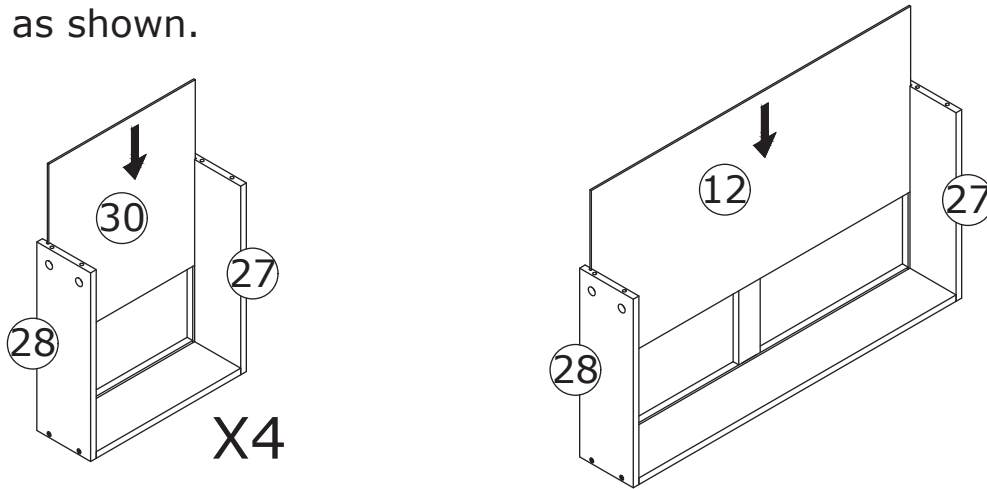


Fix board 27, 26 and 28 to board 11 with screw(C) as shown.

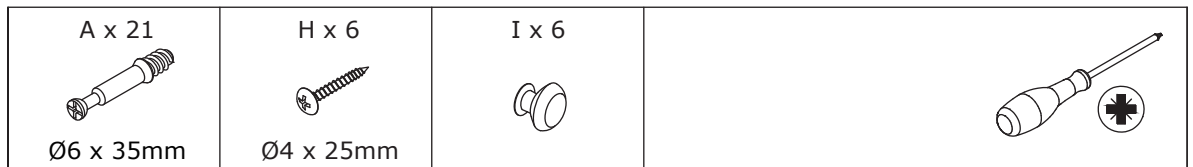
15/23

18

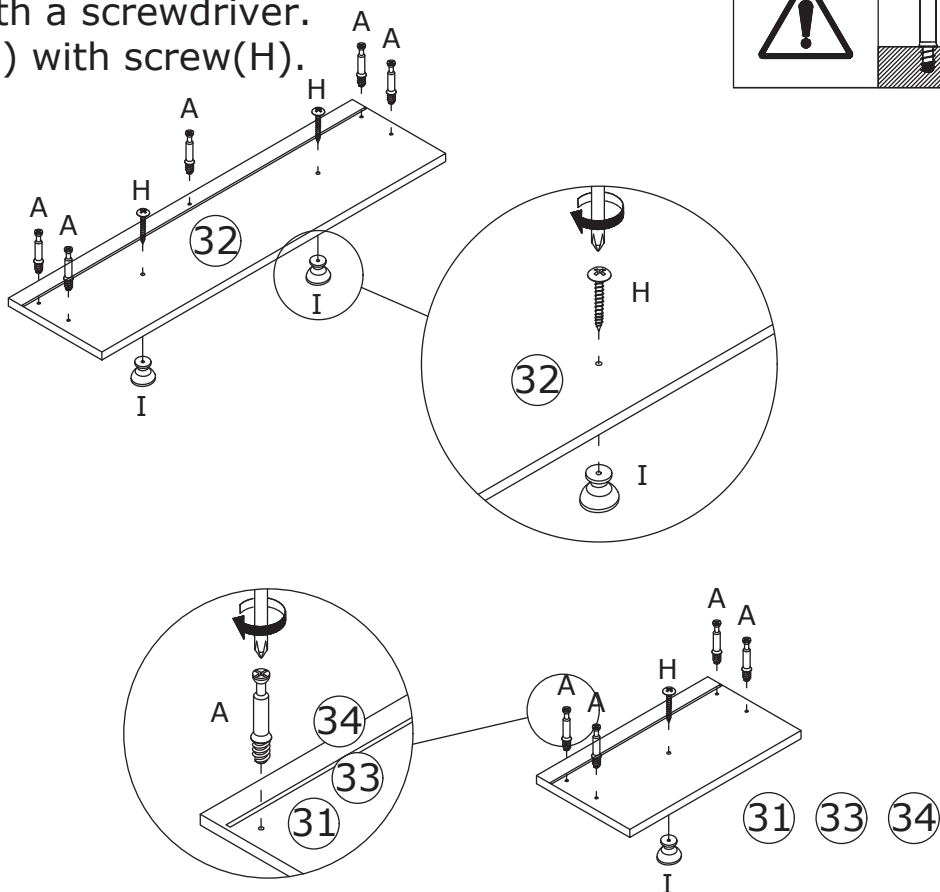
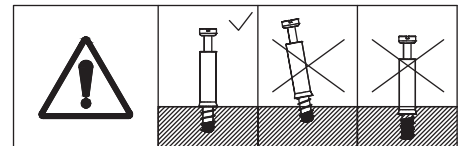
Insert board 30 and 12 along grooves as shown.



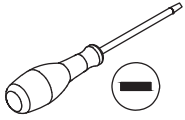
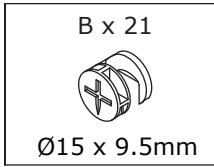
19



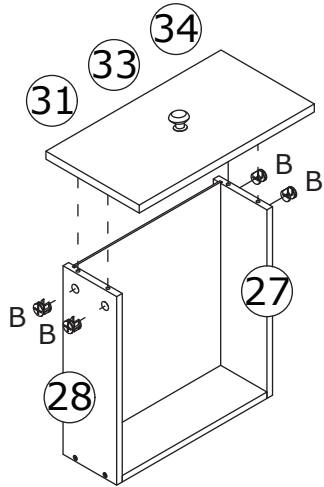
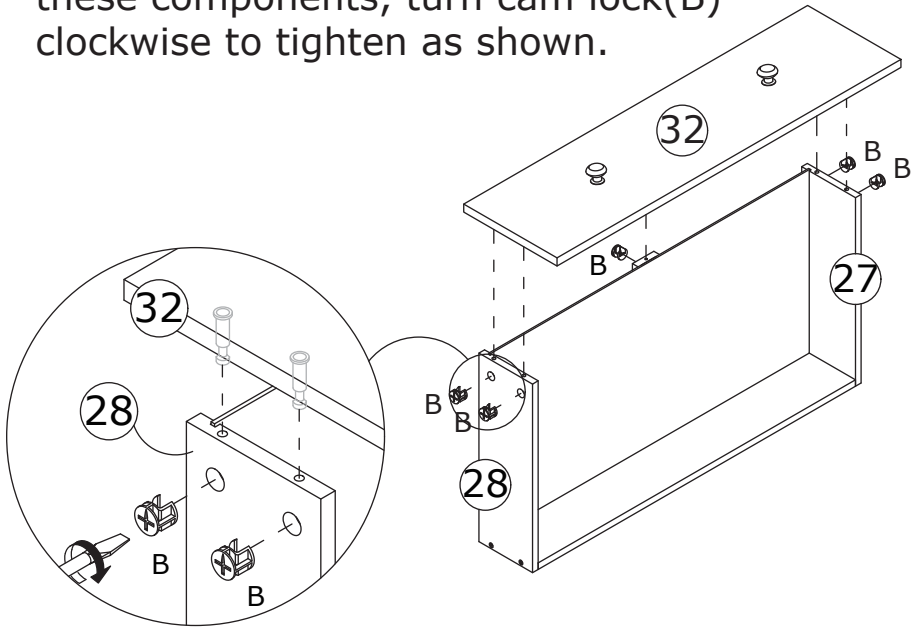
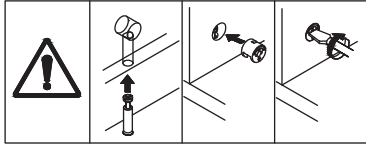
Screw eccentric rod(A) into board 32, 31, 33 and 34 with a screwdriver.
Fix knob(I) with screw(H).



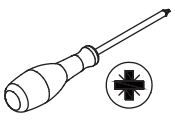
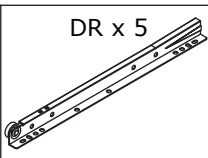
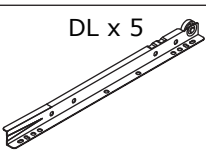
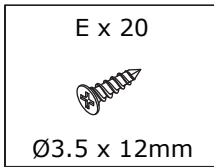
20



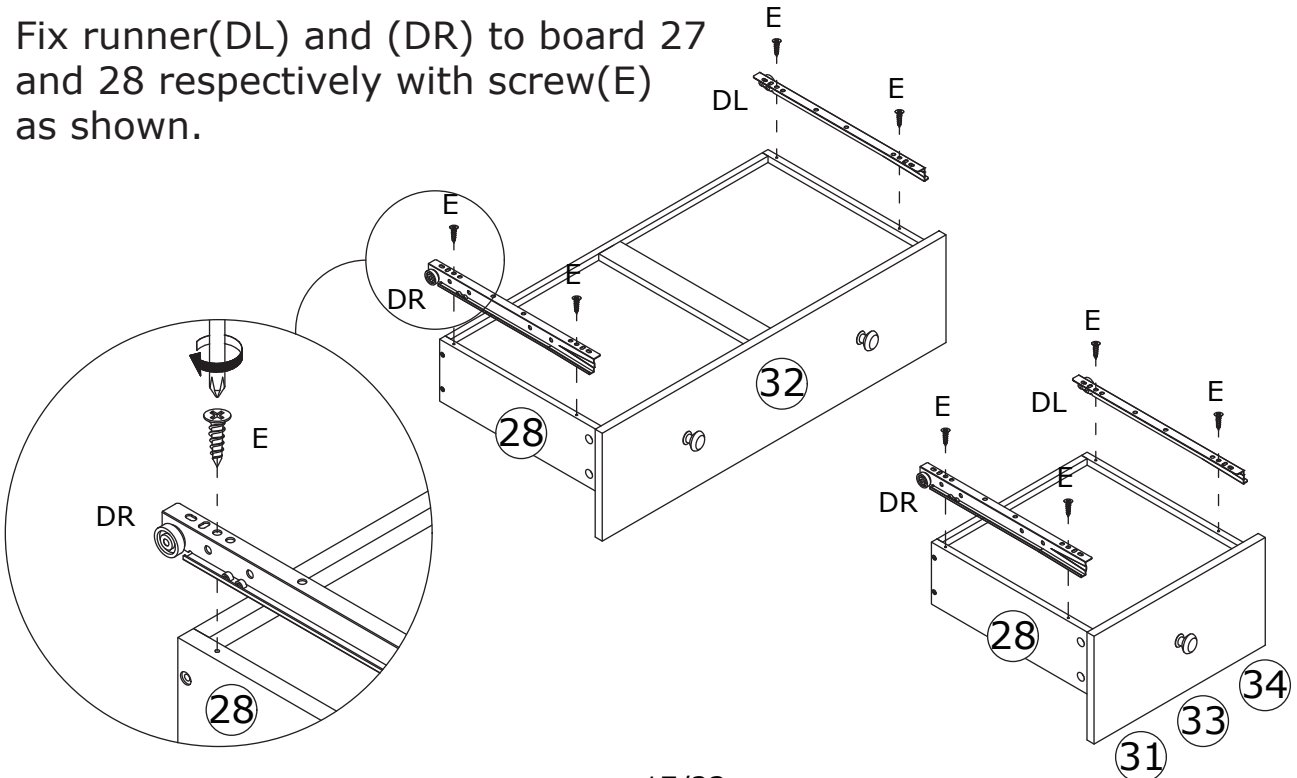
Attach board 32, 31, 33 and 34 to these components, turn cam lock(B) clockwise to tighten as shown.



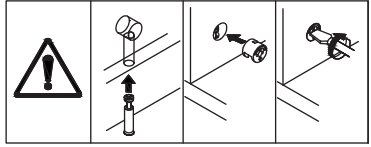
21



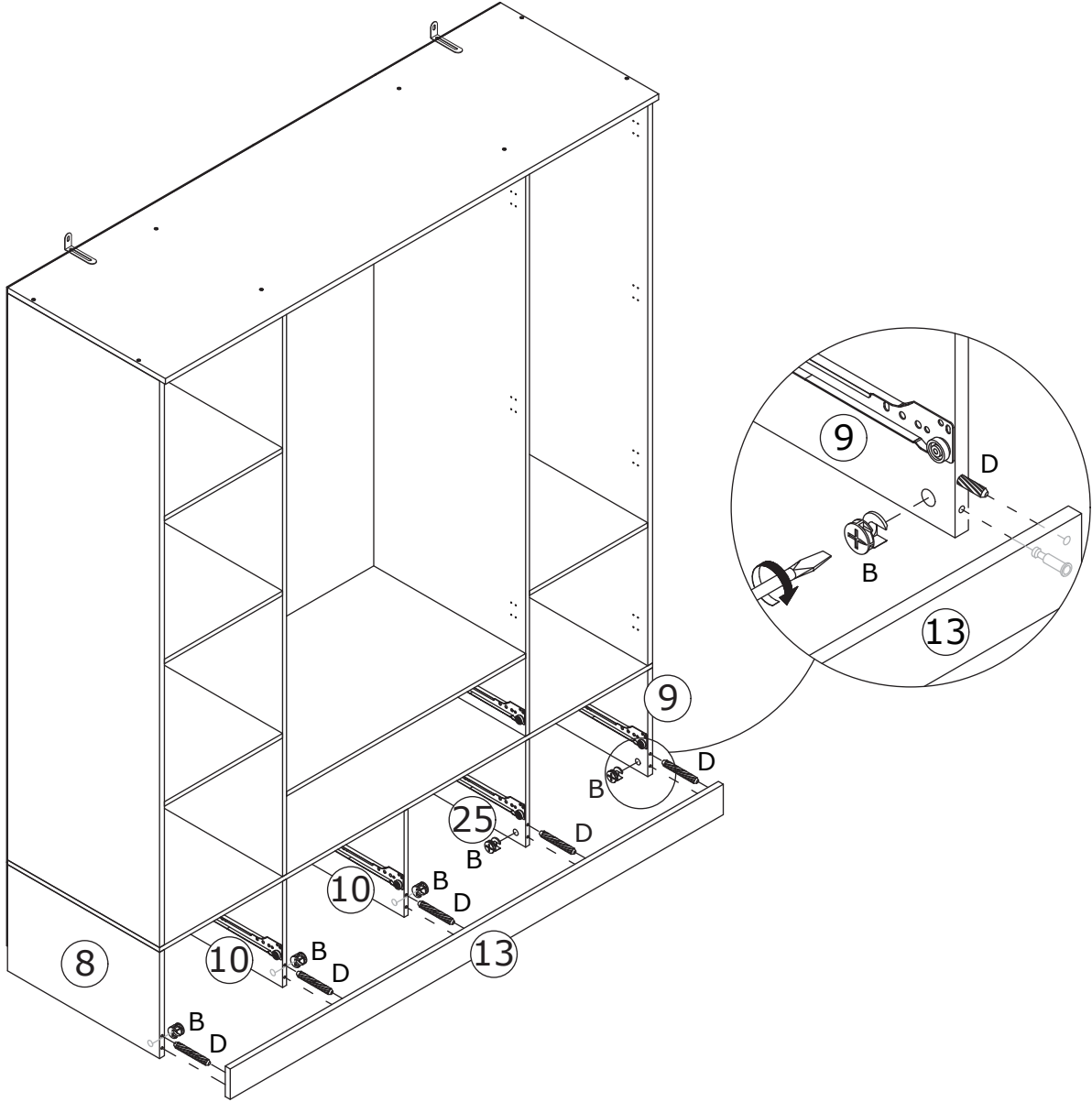
Fix runner(DL) and (DR) to board 27 and 28 respectively with screw(E) as shown.



22

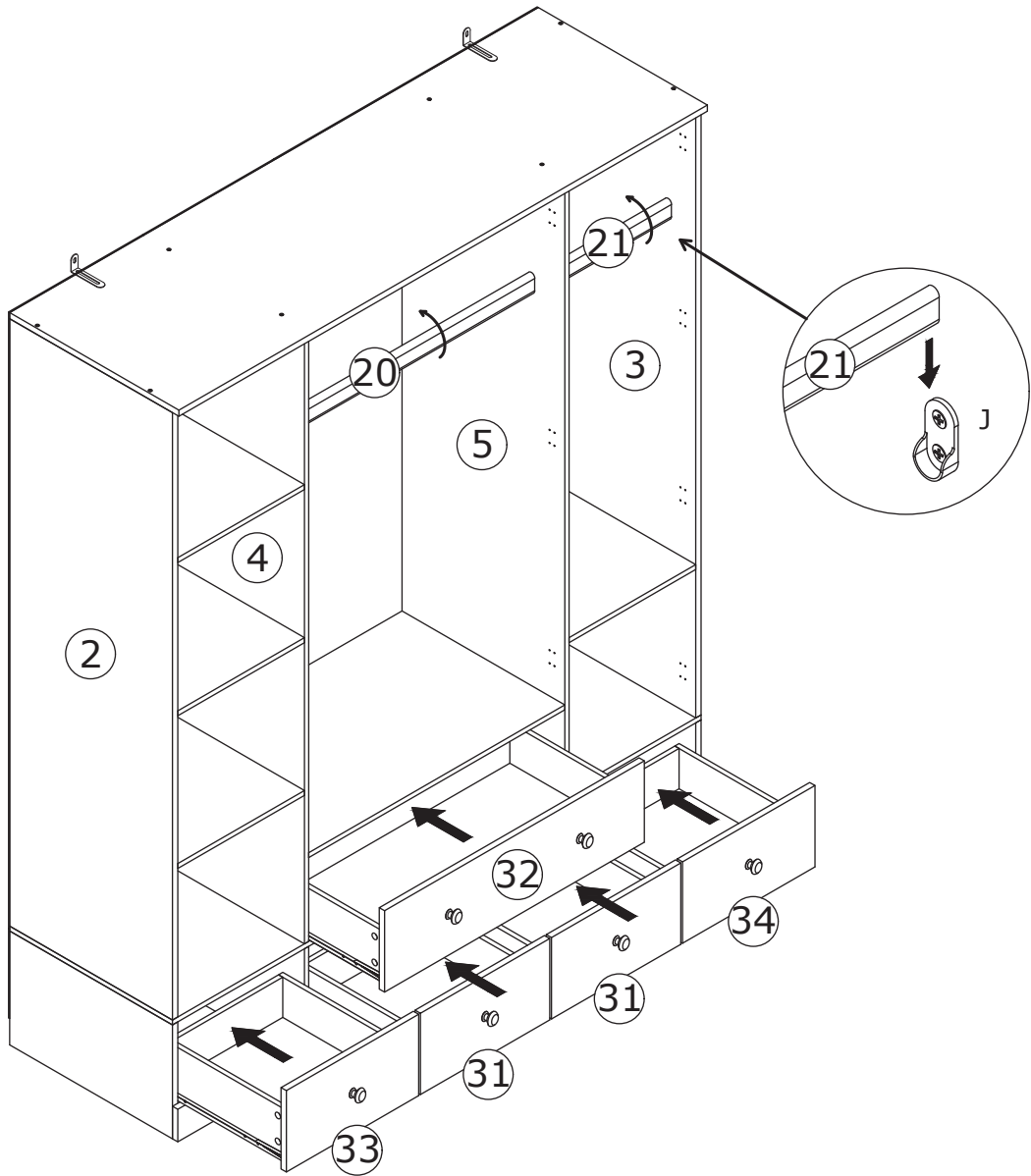


Insert wooden dowel(D) into board 13 at first.
Attach board 13 to board 9, 25, 10 and 8,
add cam lock(B) and turn clockwise to tighten
as shown.



23

Place clothing rod 20 and 21.
Insert drawers in.



24

F x 36



Ø4 x 12mm

H x 2

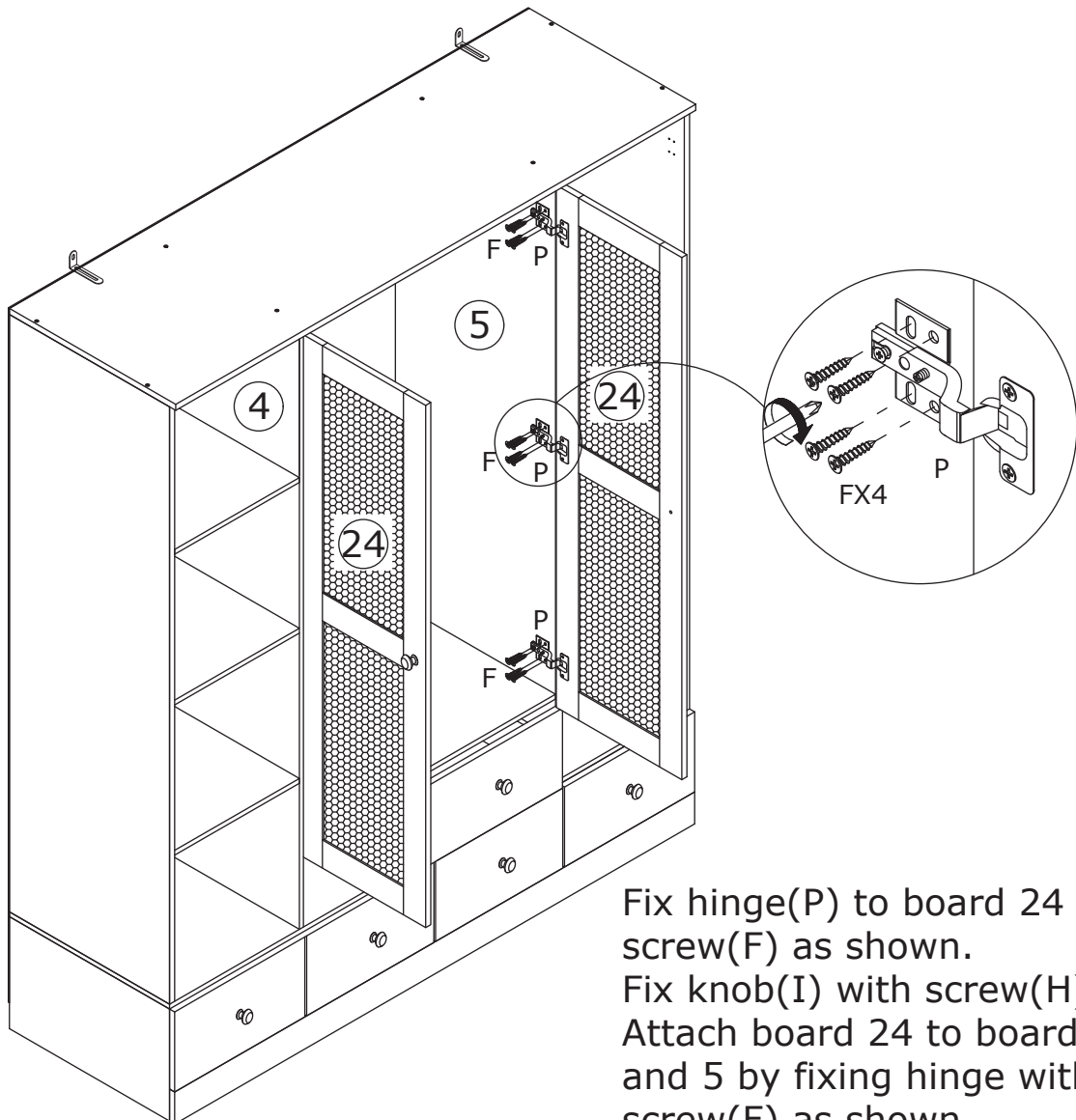
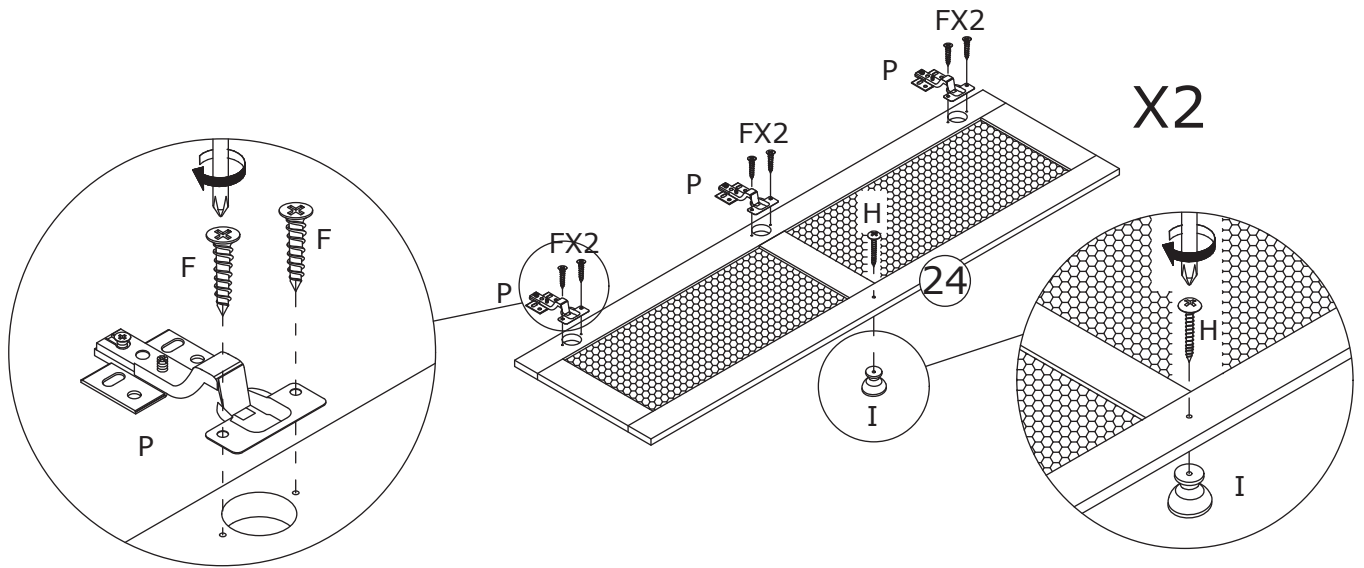
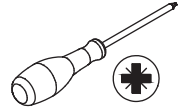
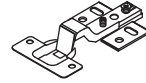


Ø4 x 25mm

I x 2



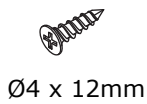
P x 6



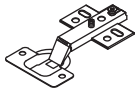
Fix hinge(P) to board 24 with screw(F) as shown.
 Fix knob(I) with screw(H).
 Attach board 24 to board 4 and 5 by fixing hinge with screw(F) as shown.

25

F x 48



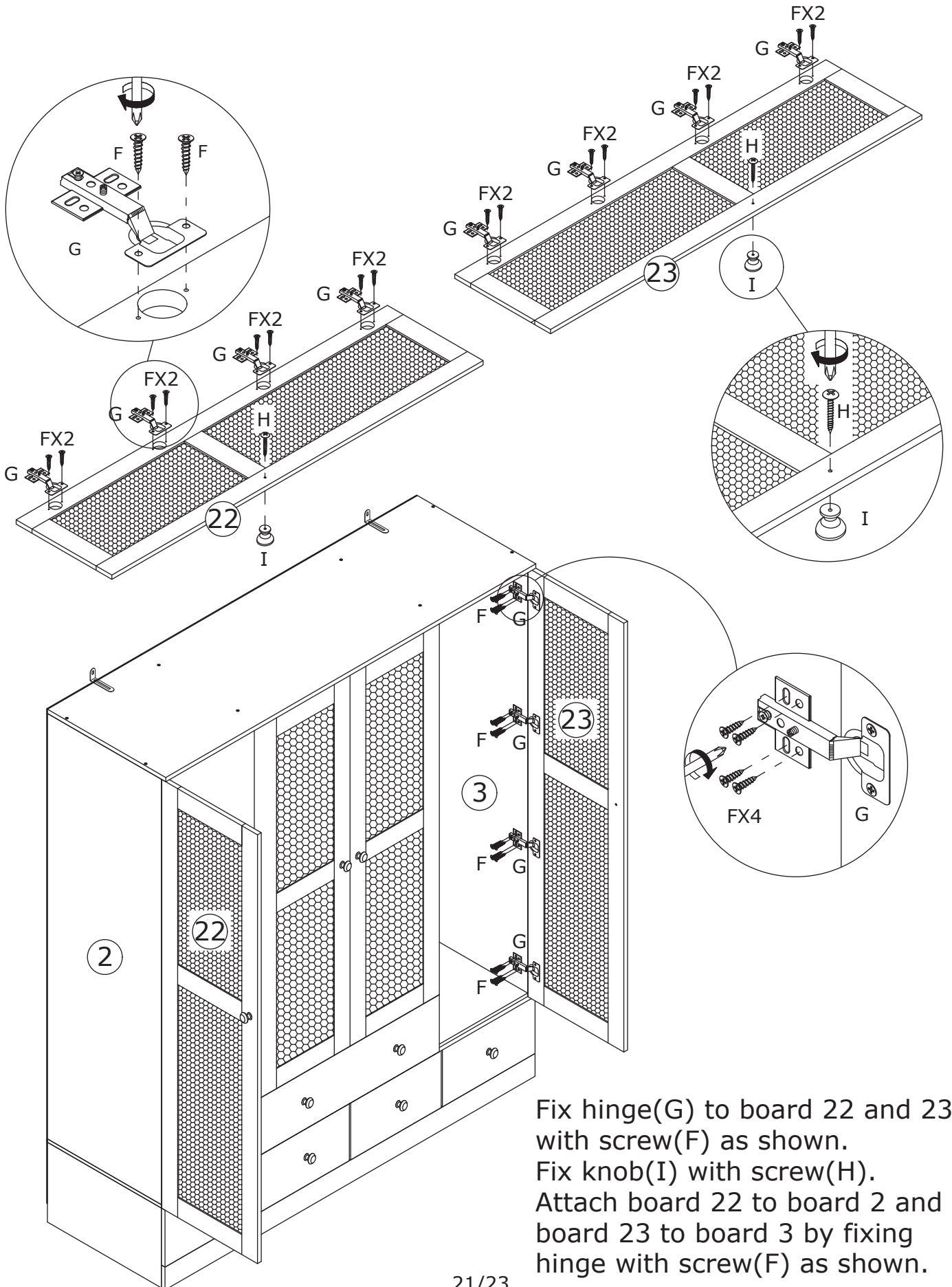
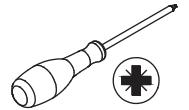
G x 8



H x 2

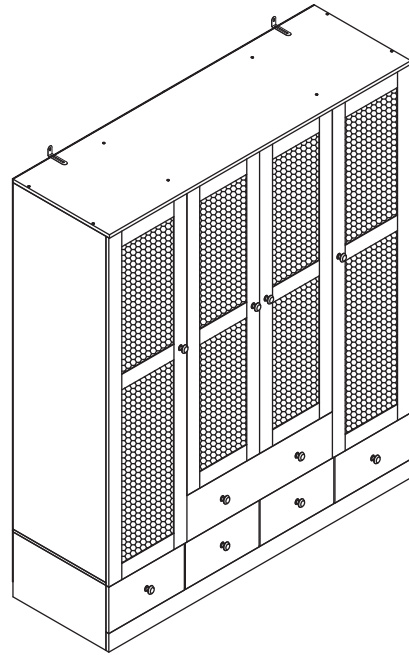
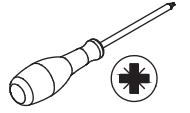


I x 2

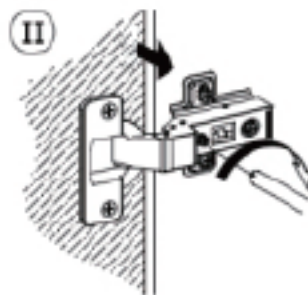
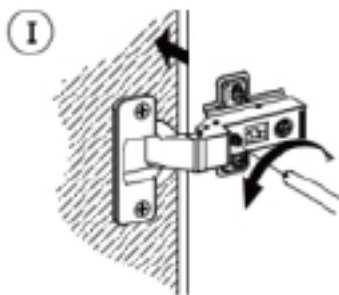
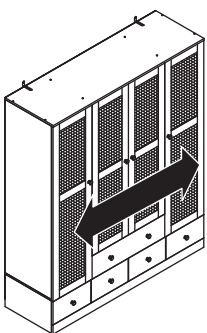
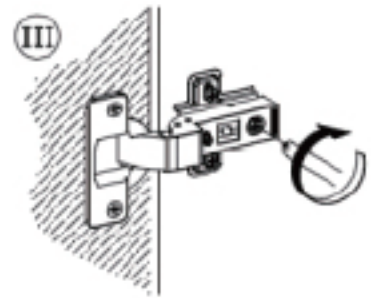
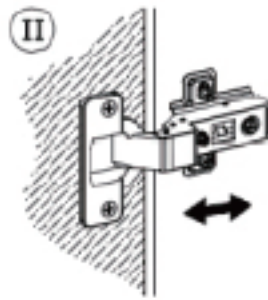
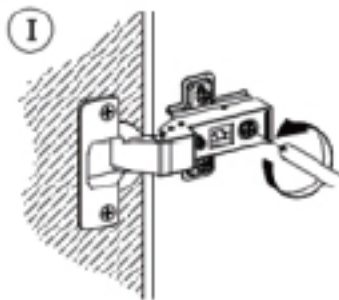
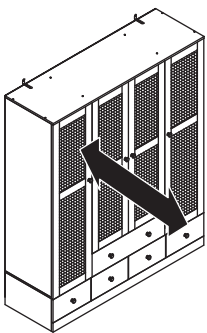
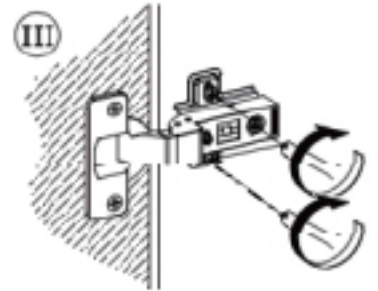
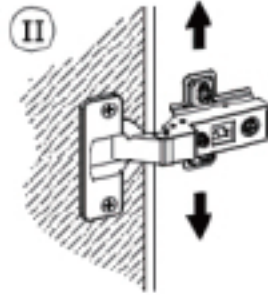
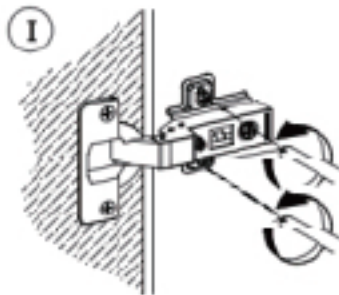
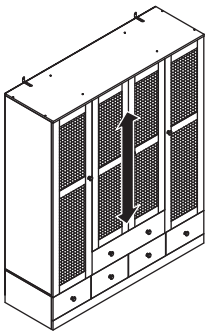


Fix hinge(G) to board 22 and 23 with screw(F) as shown.
 Fix knob(I) with screw(H).
 Attach board 22 to board 2 and board 23 to board 3 by fixing hinge with screw(F) as shown.

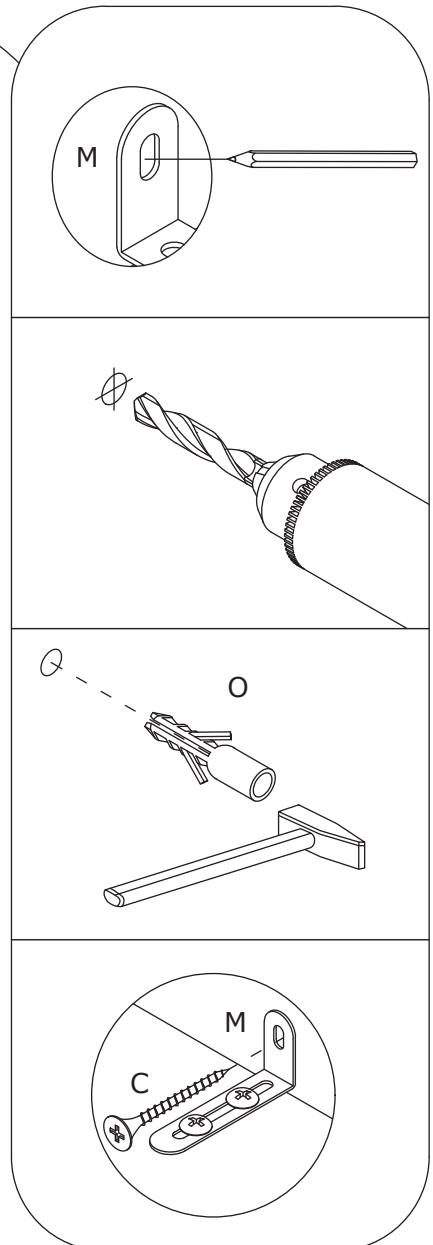
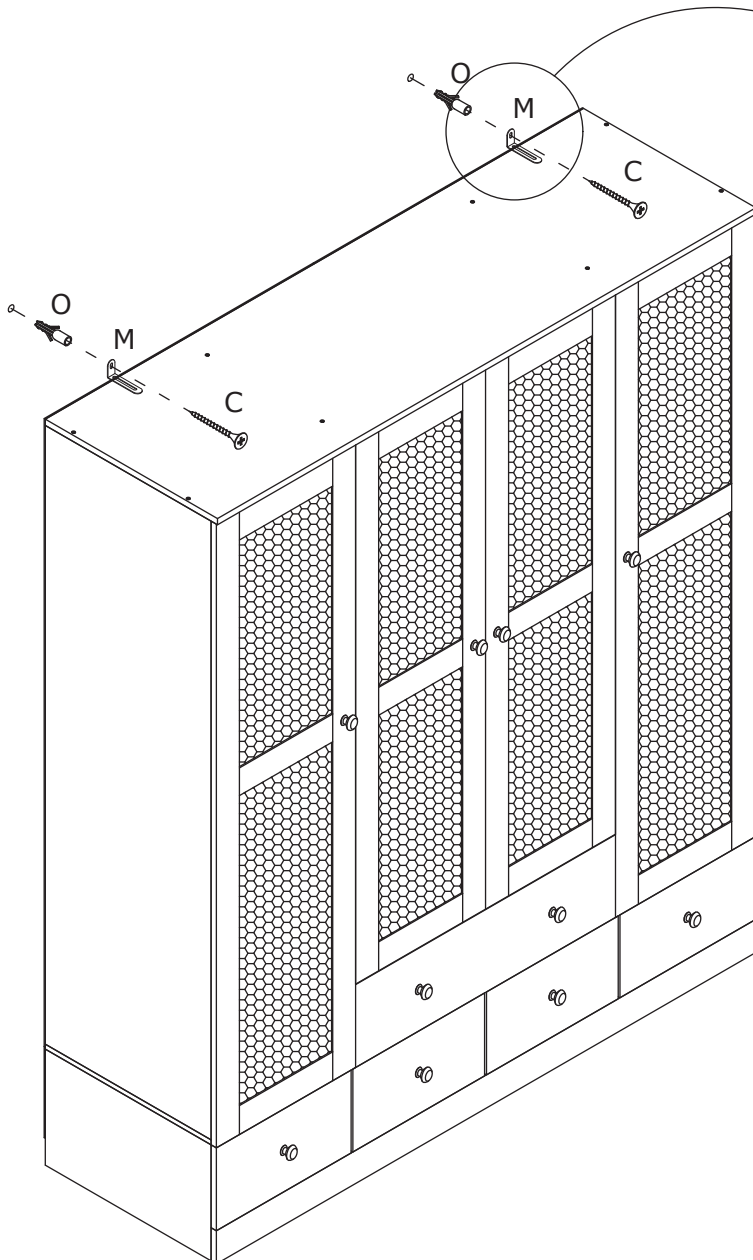
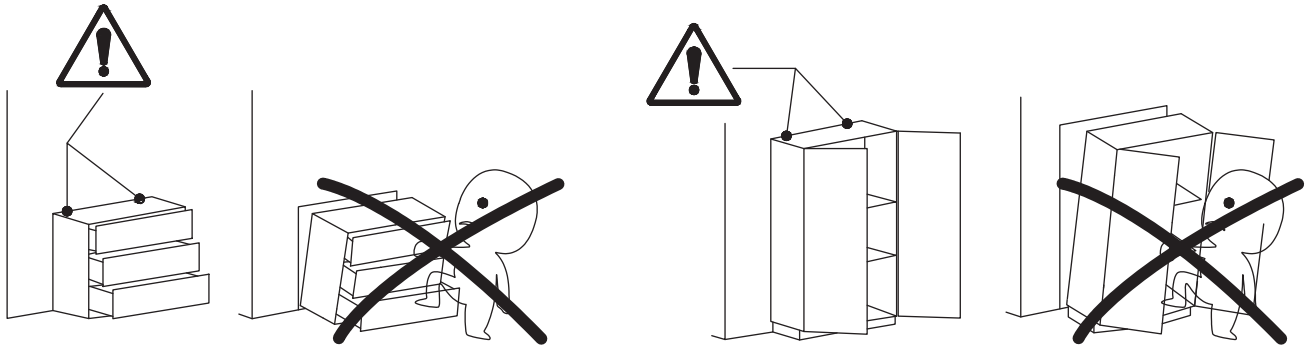
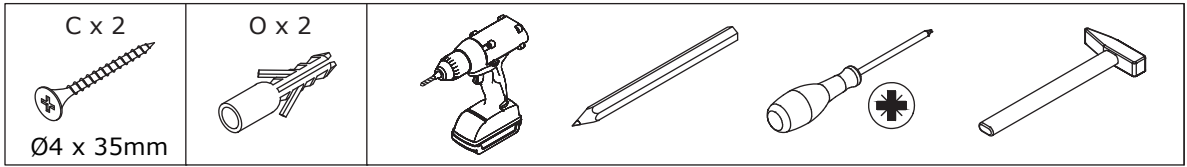
26



Install anti-tipping device as shown.



27



WARRANTY

WARRANTY CLAIMS

- There is a 30-day warranty for broken furniture or any other problems that do not work properly. The warranty will start from the date of purchase which must be verified by proof of purchase.
- Before making a claim, we may be able to answer your query, simply call us. Please leave your purchase order number, along with some details of the problem, if you want a replacement part. We will arrange within 48 hours. If there is out of stock, we will reply with a shipping date.
- The product must be used in accordance with the instructions provided. For health reasons.
- For other reasons, if the furniture needs to be returned, it must be cleaned and dried and operated within 30 days of receipt.

Type of Warranty Claim

- Failure to follow the furniture instructions will invalidate the warranty. Attention please.
- Does not include damage during installation, but includes damage during transportation.

Scope of responsibility

- Shall not bear any responsibility for misuse or user damage and / or loss of parts during the installation of furniture.
- After using, the damage and scratches of the furniture are not covered by the warranty.

The Warranty Relates to All Bought in The Us and Covers The Following Areas

- Sheet parts: 1 month from the date of purchase.
- Electrical parts: 1 month from the date of purchase.

RETURNS

CHANGED YOUR MIND AND NEED TO RETURN YOU ITEM?

PLEASE FOLLOW THE BELOW INSTRUCTIONS:

- If you have purchased and have simply changed your mind, follow the retailer's instructions for returns.

DEFECTIVE ITEMS

- If your item is defective in any way, i.e. it doesn't work but you can't identify why, in the first instance, please call us.

DAMAGED ITEMS

- If you receive an order with obvious shipping damage from the retailer, then we suggest the delivery is refused. If the delivery has been accepted and then shipping damage is found, please follow the specific instructions advised by the retailer.
In all circumstances please save all packaging material and paperwork for the order. Please be aware that if you dispose of packaging material or attempt to return the merchandise without contacting the fulfiller, you jeopardise your chances of making a claim, and you may not receive a credit for the return.