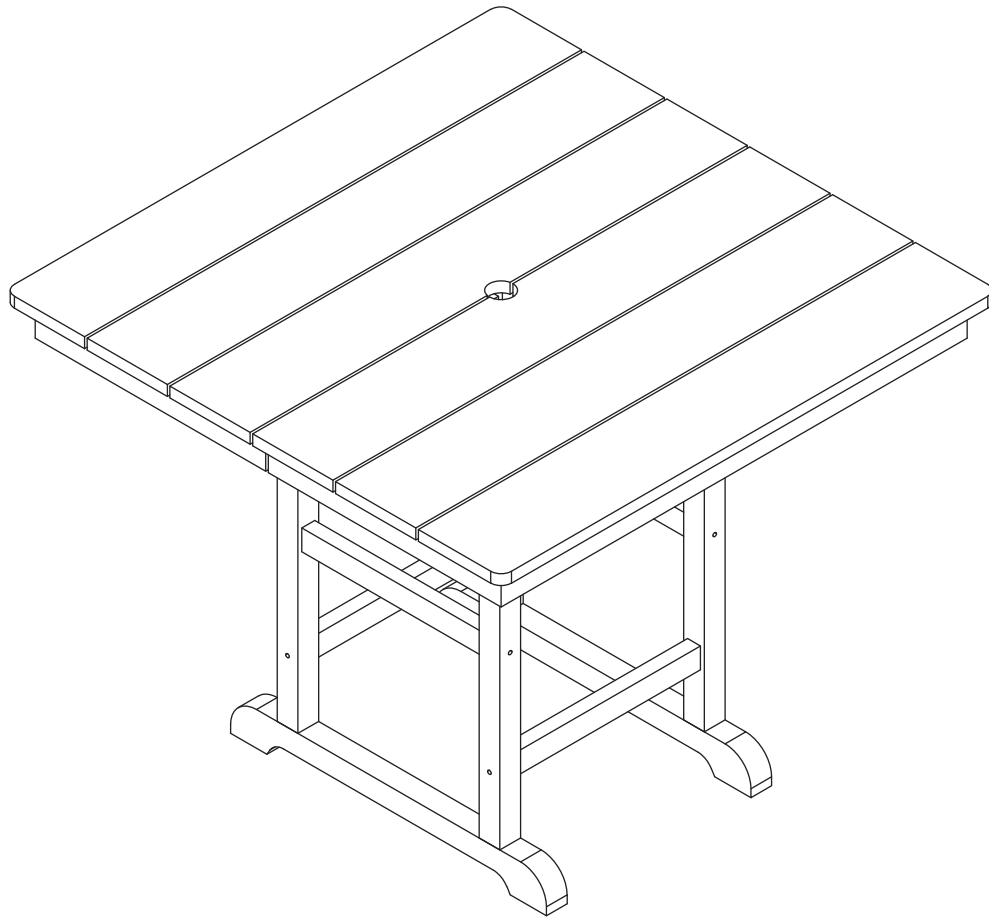


Assembly Instruction

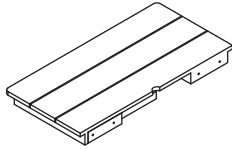

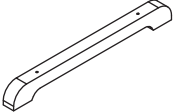
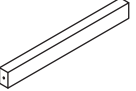
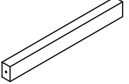


PRE-ASSEMBLY PREPARATION

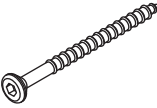
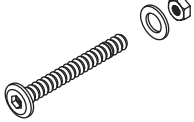
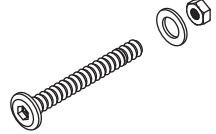
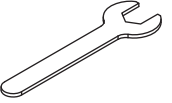
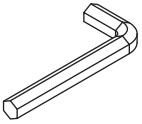
WARNING! DO NOT LET CHILDREN PLAY IN OR AROUND THE UNIT DUE TO THE POSSIBLE RISK OF FINGER ENTRAPMENT

- Please read through this instruction before beginning assembly.
- Two adults assembly is recommended.
- Clear out the space for assembly and lay out all parts base on Parts List, extra room will allow you to easily determine if all the pieces are present.
- Save all packing materials until assembly is complete to avoid accidentally discarding smaller parts or hardware.
- Keep small parts and pieces away from children until fully assembly.
- **Do not fully tighten the bolts until all have been inserted and hand tightened.**
- Please check for any loose screws and tighten them before use.

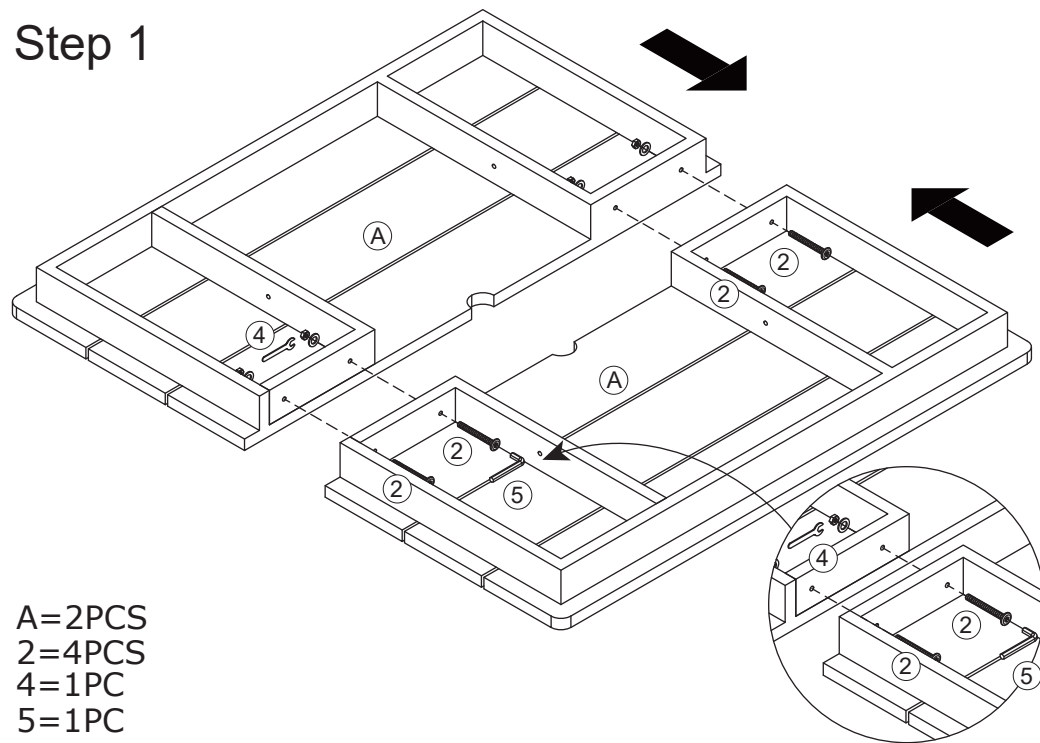
PANEL AND FITTINGS IDENTIFICATION

<p>(A)</p>  <p>Qty: 2</p>	<p>(B)</p>  <p>Qty: 4</p>	<p>(C)</p>  <p>Qty: 2</p>	<p>(D)</p>  <p>Qty: 4</p>
<p>(E)</p>  <p>Qty: 2</p>			

HARDWARE LIST

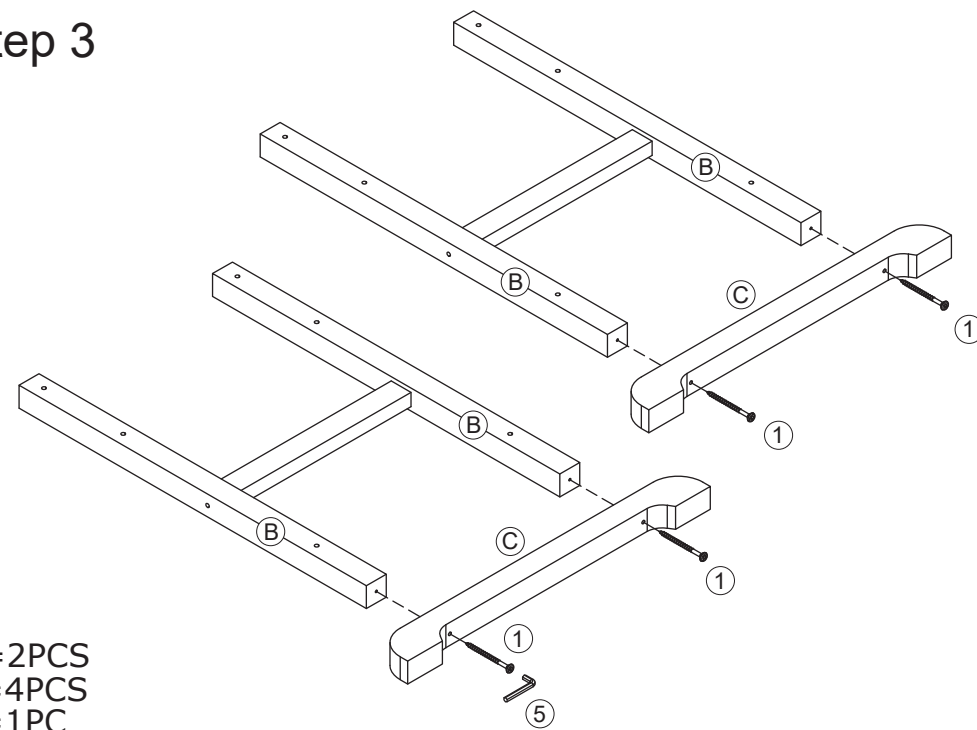
<p>Screw (1)</p>  <p>M6 x 80mm Qty: 16</p>	<p>Bolt (2)</p>  <p>M6 x 50mm Qty: 4</p>	<p>Bolt (3)</p>  <p>M6 x 70mm Qty: 4</p>	<p>Open End Wrench (4)</p>  <p>Qty: 1</p>
<p>Allen Wrench (5)</p>  <p>Qty: 1</p>		<p>Qty: 1</p>	<p>Qty: 1</p>

Step 1



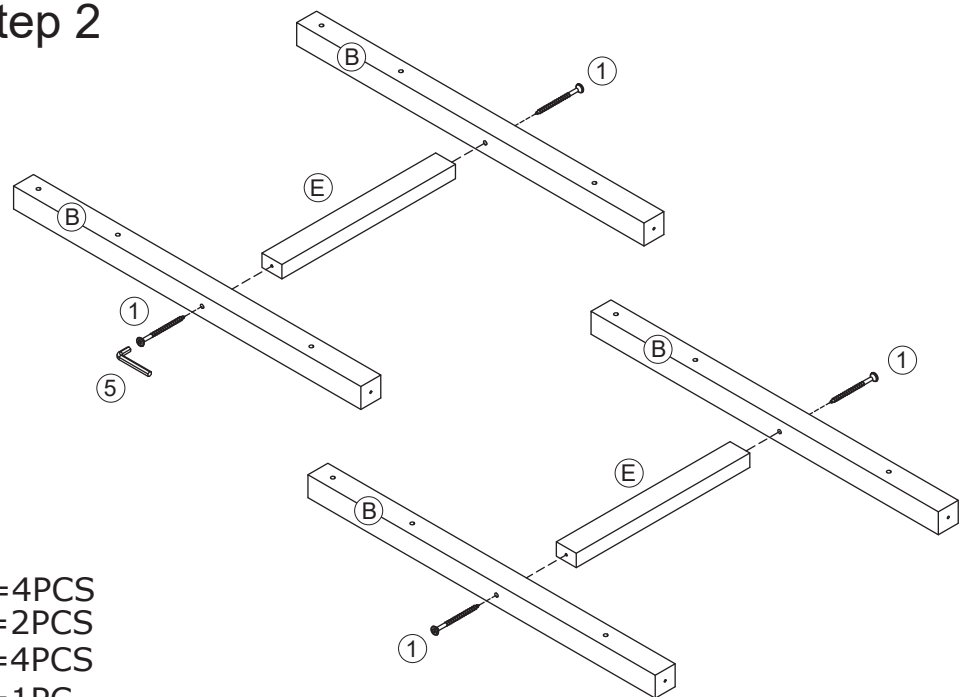
A=2PCS
2=4PCS
4=1PC
5=1PC

Step 3



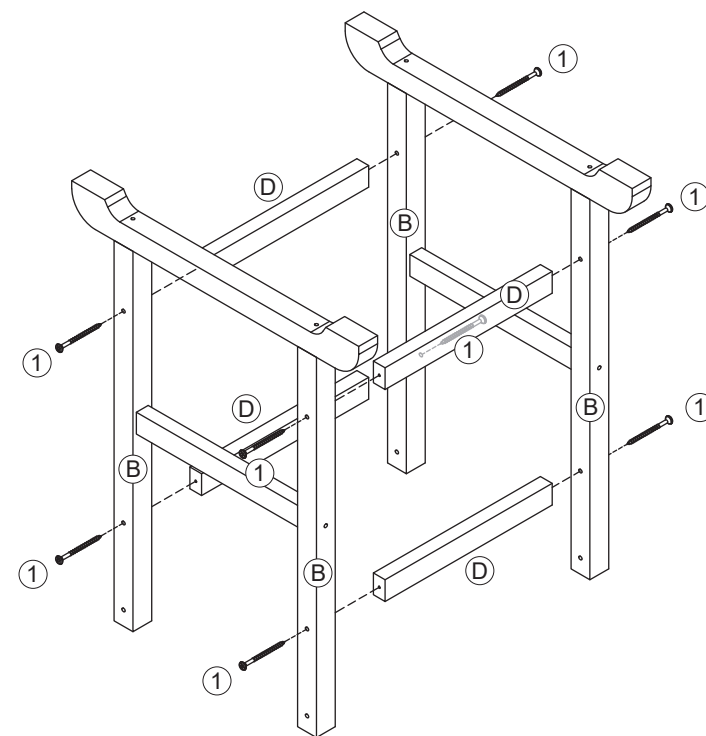
C=2PCS
1=4PCS
5=1PC

Step 2



B=4PCS
E=2PCS
1=4PCS
5=1PC

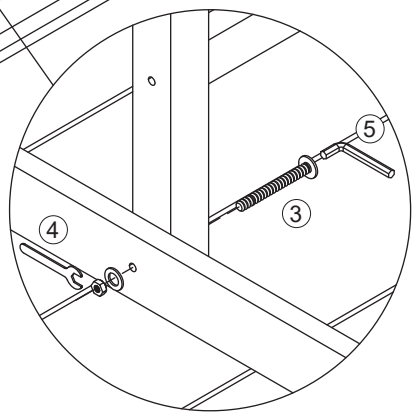
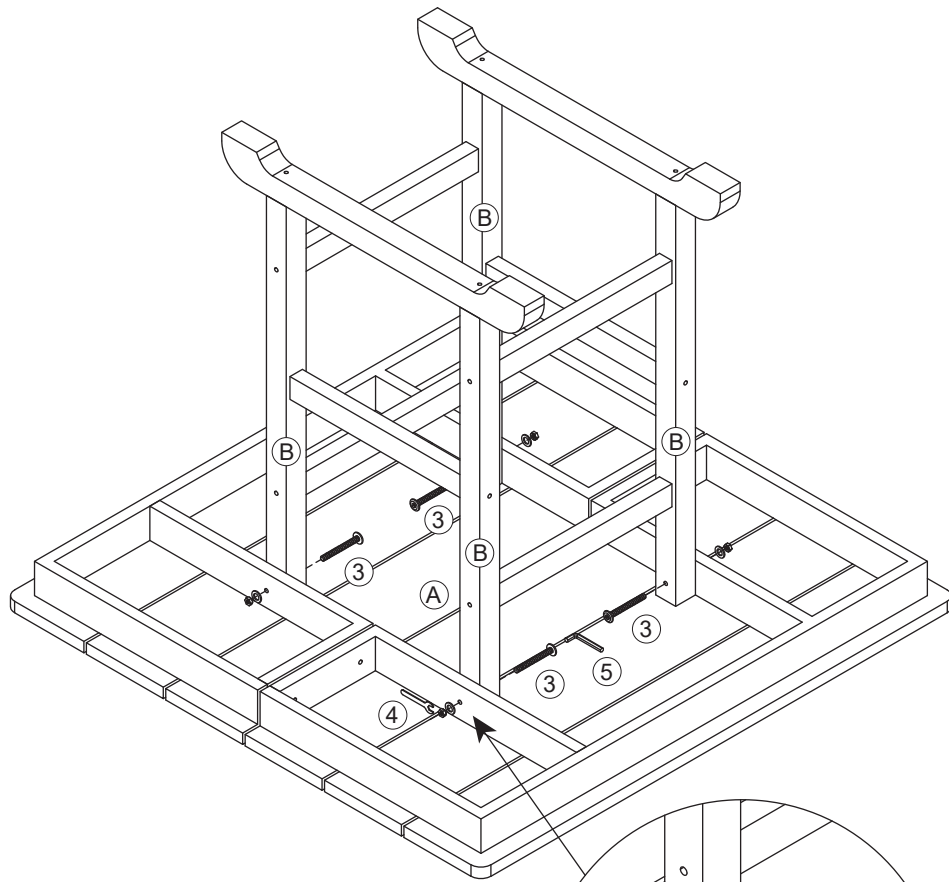
Step 4



D=4PCS
1=8PCS

Step 5

Ten End



- 3=4PCS
- 4=1PC
- 5=1PC

