

NOTICE

- * Please make sure that you have all parts indicated and they are in good condition before you begin assembly of this item. Refer to part list and hardware list below for guidance.
- * This item should be assembled on a soft surface to prevent scratching the finish during assembly.
- * This item may require periodic tightening.
- * If you are having difficulty, our friendly Customer Care team is always here to help. Please email customersupport@safavieh.com

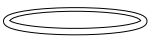




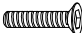
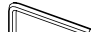
PREPARATION

- * Before beginning assembly of product, make sure all parts are present. Compare parts with part contents list and hardware contents list.
- * If any part is missing or damaged, do not attempt to assemble the product.
- * Estimated Assembly Time: 20 minutes.
- * Tools Required for Assembly (included): Allen Key
- * Require 2 person for assembly.

CARE AND MAINTENANCE

- Always use felt pads under all articles to prevent discoloration or softening of the lacquer. Plastic and rubber bases on items can discolor wood. Wipe up spills immediately and avoid common hazards such as hot dishes, harsh solvents and abrasives. Cleaning should be done with a soft lint free cotton cloth dampened with water or furniture polish. On highly used surfaces we recommend applying a quality paste wax which should be used on a regular basis to provide additional protection from scratches and spills. How often you apply the wax depends on how much wear the furniture receives.

PARTS & HARDWARE LIST

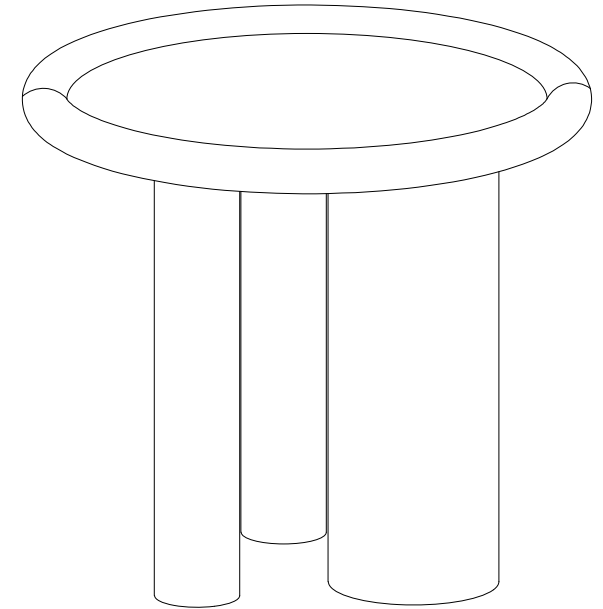
Piece	Description	Picture	Quantity
A	Wooden Top		1x
B	Wooden Legs		3x
HW1	Assembly Plate		3x
HW2	JCB Bolts (13x8mm)		6x
HW3	Flat Washer (25x8)		6x
HW4	CSK Bolts (25x8mm)		4x
HW5	Allen Key (5mm)		1x

SAFAVIEH

C O U T U R E

ITEM ID : SFV9746

PRODUCT DIMENSION : 20"WX20"Dx18"H



⚠ WARNING ⚠

Weight Capacity : 40 lbs

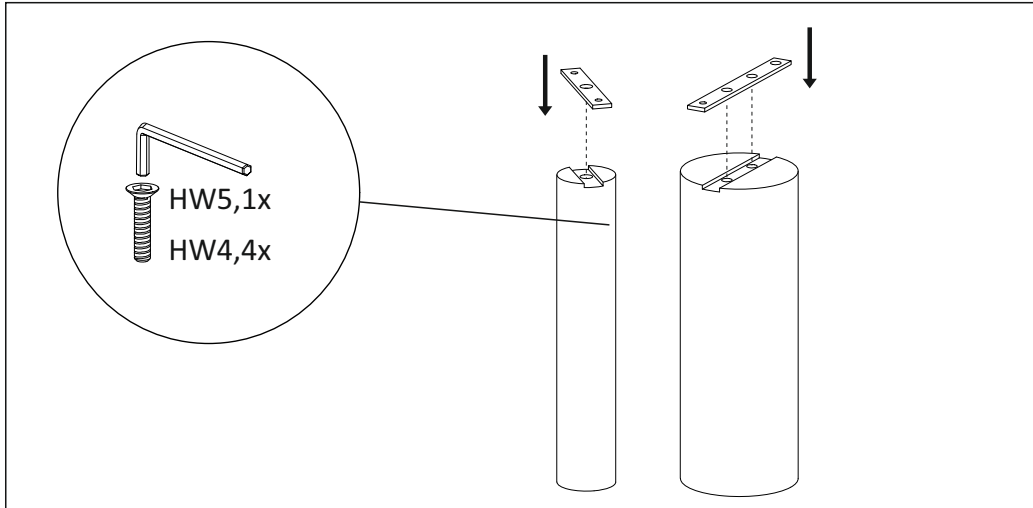
WARNING : DO NOT STAND/SIT ON ACCENT TABLE

WARNING : DO NOT DRAG ACCENT TABLE

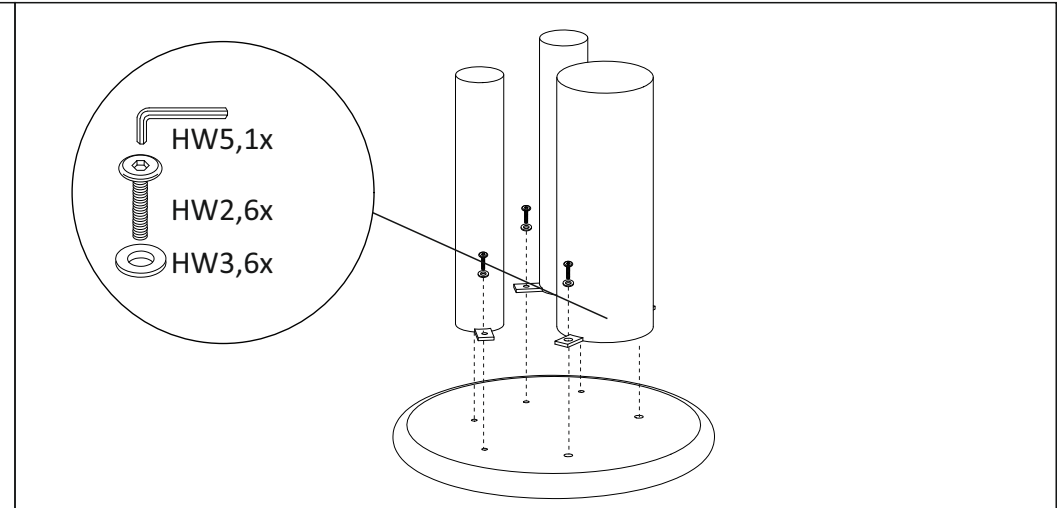
WARNING : HEAVY PRODUCT

PREPARATION

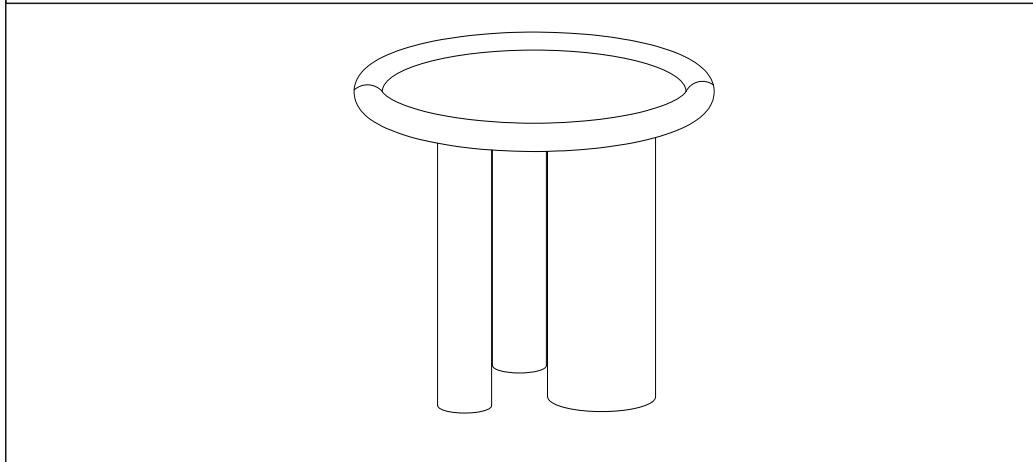
- * Before beginning assembly of product, make sure all parts are present. Compare parts with part contents list and hardware contents list.
- * If any part is missing or damaged, do not attempt to assemble the product.
- * Estimated Assembly Time: 20 minutes.
- * Tools Required for Assembly (included): Allen Key
- * If you are having difficulty, our friendly Customer Care team is always here to help. Please email customersupport@safavieh.com



STEP 1: Place all the legs upright on a flat, soft surface. Attach the Assembly Plates (HW1) to the Legs (B) by using the Allen Key (HW5) to screw in the CSK Bolts (HW4) into the middle hole on the Assembly Plates as shown.



STEP 2: Place the Wooden Top (A) upside down on a flat, soft surface. Match the screw holes on the assembled base to the screw holes on the top. Place the Flat Washer (HW3) onto the JCB Bolts (HW2) and use the Allen Key (HW5) to screw in the bolts to attach the assembled base to the top as shown.



STEP 3: Turn the table right side up. Your product is now ready for use.