



K-28929

Roll-up multipurpose rack

Features

- Included with KOHLER K-31465-2AC and K-31466-2AC kitchen sinks
- Provides a convenient shelf for drying, rinsing, and defrosting
- Heat-resistant to 500°F
- Holds up to 100 lb
- Dishwasher-safe
- Rolls up for convenient storage



Available Colors/Finishes

Color tiles intended for reference only.

- CHR Charcoal



1-800-4KOHLER (1-800-456-4537)
Kohler Co. reserves the right to make revisions without notice to product specifications.
For the most current specification sheet, go to www.kohler.com USA or www.kohler.ca Canada.
3-27-2026 14:14 - US-CA

THE BOLD LOOK
OF **KOHLER**

Codes/Standards

None Applicable

Material

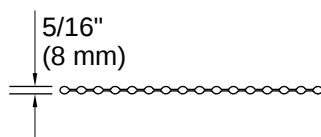
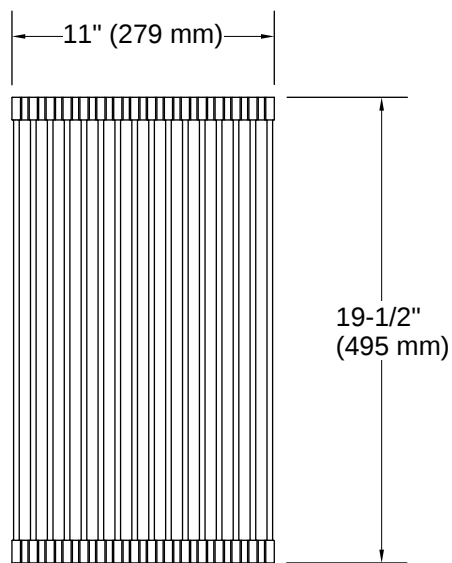
- Stainless steel rods wrapped in heavy-duty silicone
-

Warranty

See website for detailed warranty information.

KOHLER® One-Year Limited Warranty





Installation Notes

Install this product according to the installation instructions.

