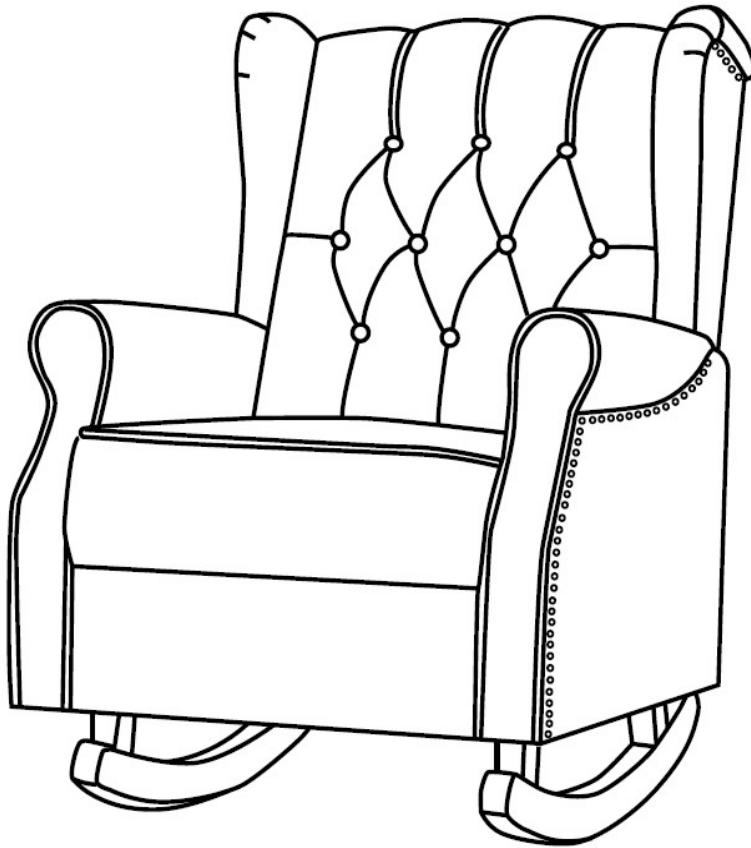


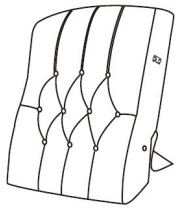
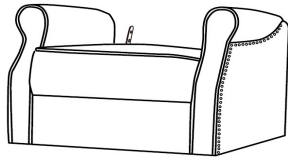
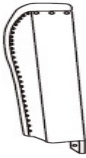

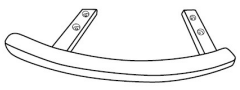

Assembly Instructions

Caution : You must read this before you proceed



ROCKING CHAIR




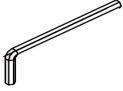
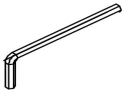


Parts List

Label	Picture	Description	QTY
A		Chair Backrest	1
B		Chair Base Body	1
C		Right Wing	1
D		Left Wing	1
E		Right Leg	1
F		Left Leg	1

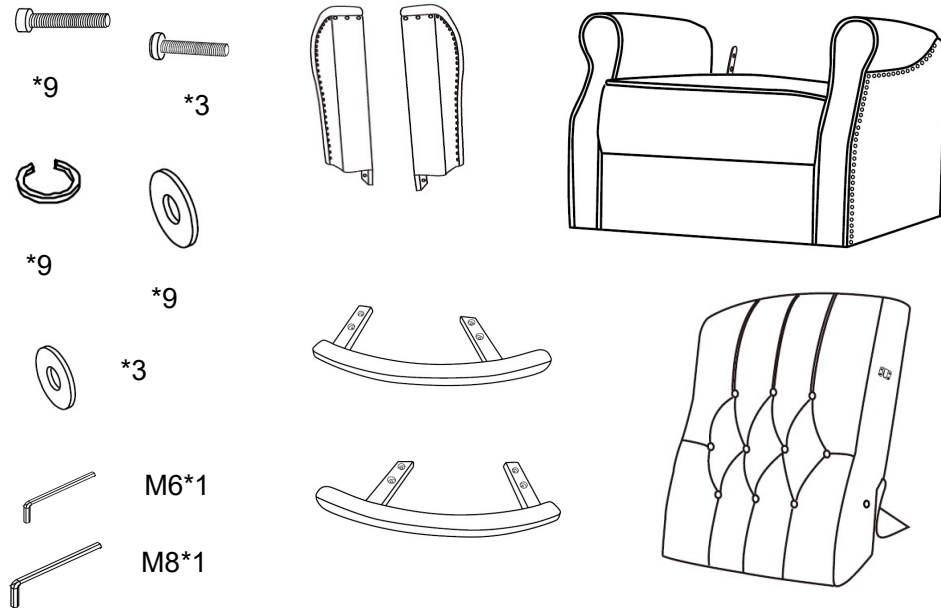
Hardware

Label	Picture	Description	QTY
①		Bolt(M8*55MM)	9
②		Bolt(M6*40MM)	3

③		Spring Washer Ring	9
④		Flat Washer Ring (M8)	9
⑤		Flat Washer Ring (M6)	3
⑥		Allen Wrench(M8)	1
⑦		Allen Wrench(M6)	1

Assembly Preparation

Before Beginning Assembly:



- Read instructions, cover to cover-



- Have 2 adults on hand for assembly-



- Do not assemble on flooring or carpet-



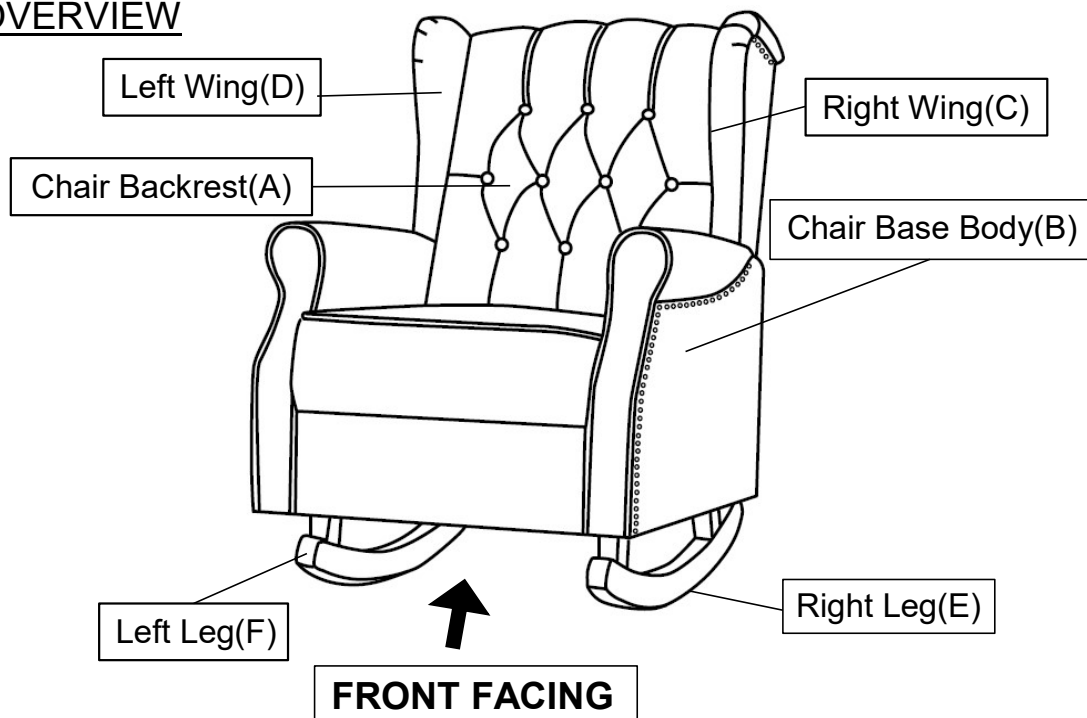
- Assemble on a clean non-marring surface (packing foam)-



- Save all packaging until finished-

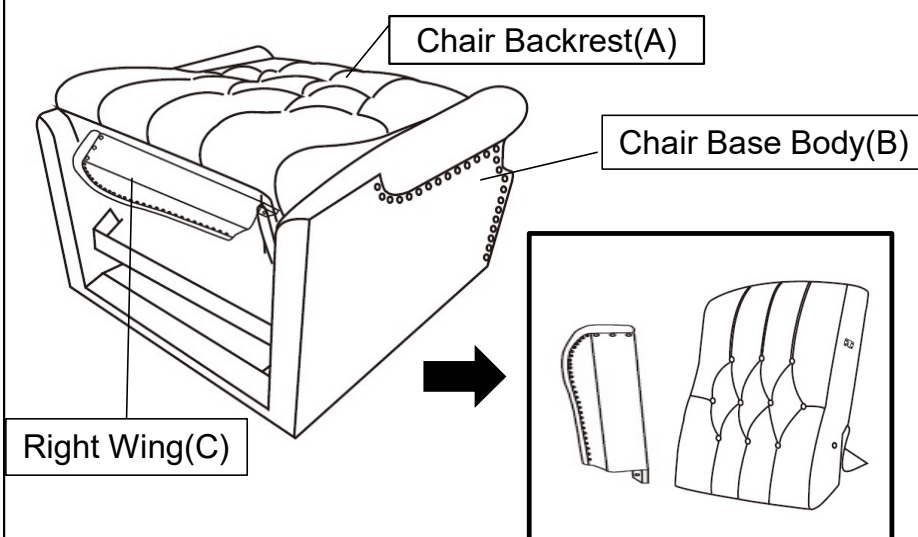
Assembly Steps

OVERVIEW



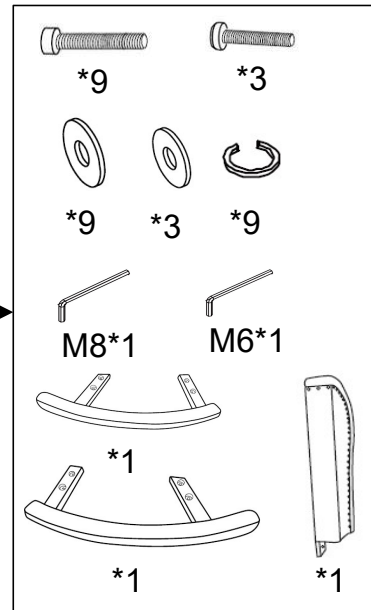
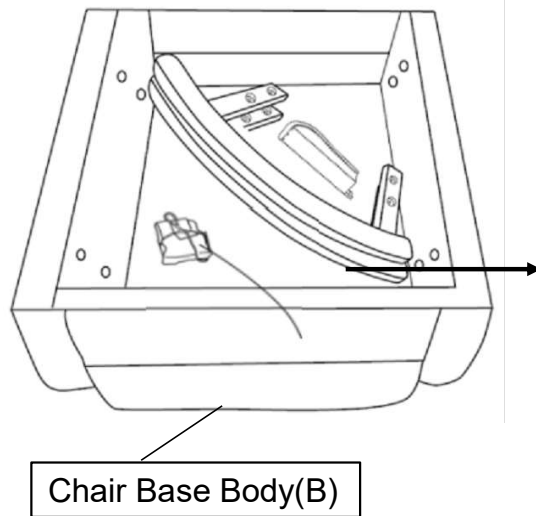
This ROCKING CHAIR has multiple parts and may require up to some 30 minutes to assemble. To give you an overview of the ROCKING CHAIR parts, the above picture is to help you put the various parts into perspective. Please read through the instructions here below to familiarise the parts and steps before assembly.

Step 1



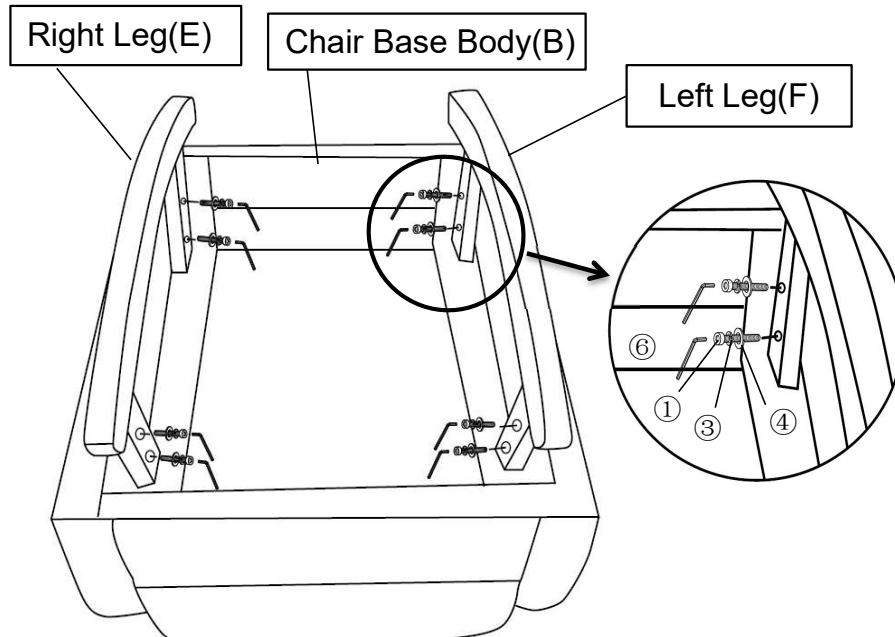
Open the Carton and position the Chair Base Body(B) on a clean non-marring surface (Perferrably on a surface that won't scratch the upholstery.) Remove Chair Backrest(A) and Right Wing(C) that on the Chair Base Body(B) as shown above.

Step 2



Position the Chair Base Body(B) bottom up,remove Left Wing(D),Left Leg(F),Right Leg(E) and Hardware from the underside of Chair Base Body(B) as shown above.

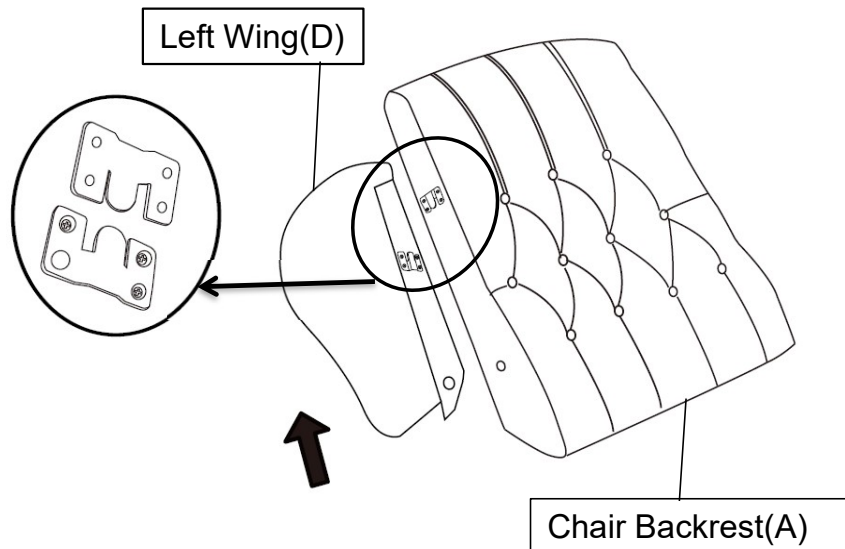
Step 3



Attaching the Left Leg(F) to Chair Base Body(B),using Bolt(①),Spring Washer Ring(③),Flat washer Ring(④) with Allen Wrench(⑥) turning clockwise until tight.

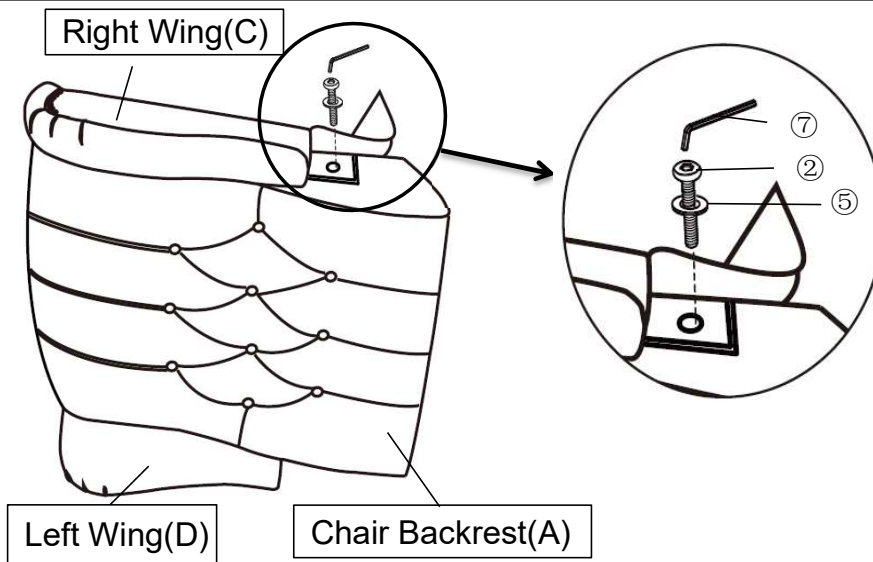
Repeat the same step with the Right Leg(E).

Step 4



Position the Chair Backrest(A) on it's left side.
Align the mounting positions of the Left Wing(D) with left side of Chair Backrest (A). Then slide Left Wing(D) forward by hand to make sure it locks into the position.
Repeat the same process with Right Wing(C).

Step 5

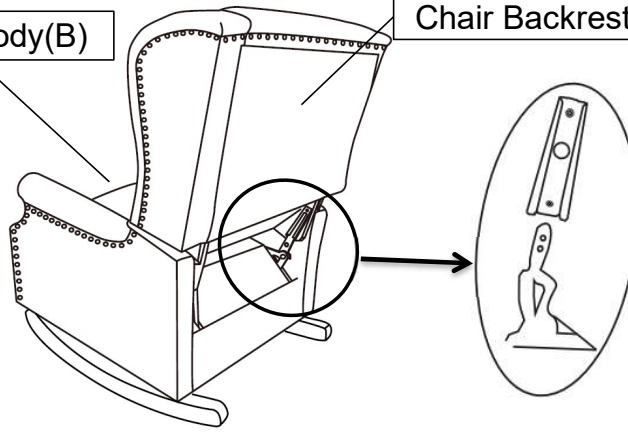


After step4,attach the Right Wing(C) to the Chair Backrest(A) using Bolt(2), Flat Washer Ring(5) with Allen Wrench(7).
Turning clockwise until tight.
Repeat the same process with Left Wing(D).

Step 6

Chair Base Body(B)

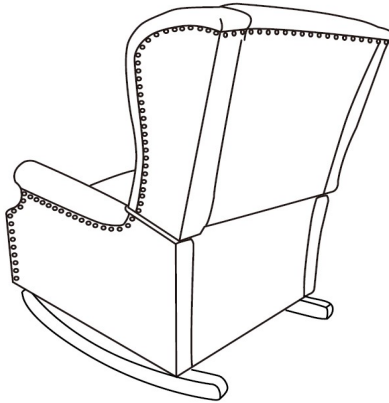
Chair Backrest(A)



With assistance from your adult partner, hold up the fully assembled backrest with Wings, stand behind the chair. Insert the small metal arms on the sides of the Chair Backrest(A) into the prefabricated slide lock gadget on the Chair Base Body(B) as shown above.

Firmly but gently, push the Chair Backrest(A) downwards until the Backrest is fully slotted and locked into position.

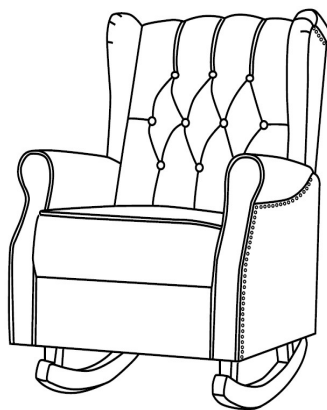
Step 7



Smooth down the fabric flap on the Chair Backrest.

Run your hands down both sides of the flap, from top to bottom, allowing the magic tape to adhere to the flap under the seat of the chair.

Step 8



Your ROCKING CHAIR is ready for use.

This ROCKING CHAIR can only be used on a flat, level surface.

Care & Maintenance



- Furniture may scratch floors. We recommend using furniture pads to protect your floors.



- Do not put hot items directly on furniture surface.



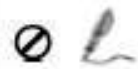
- Do not clean furniture with harsh cleansers or polish.



- Do not place furniture under direct sunlight.



- Do not place furniture near heating or cooling vents.



- Do not write on furniture without a padded barrier to protect the surface.



- Do not place furniture outside . For indoor use only.



- Not for commercial use. For residential use only.



- Stains may be removed with mild soap solution and damp cloth.



- Children should not climb or jump on the furniture.



- Dust and pick-up spills using a clean, non-colored, lint-free cloth.