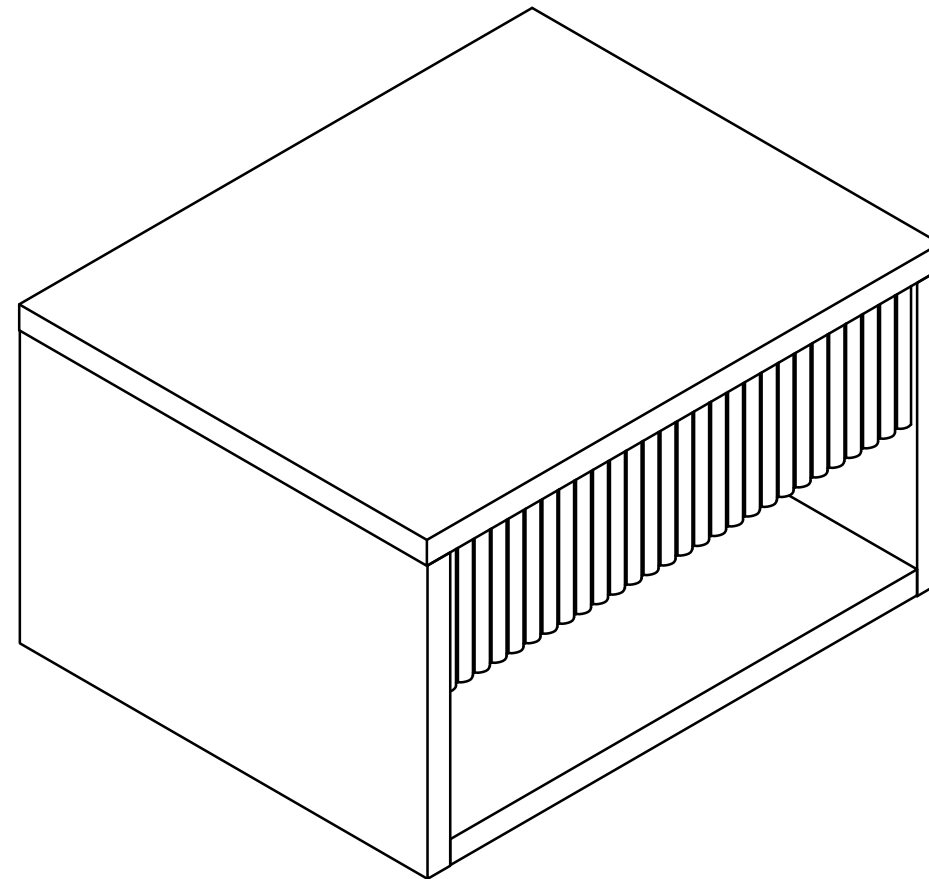




MODEL# NST2001

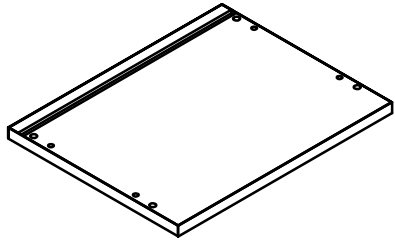
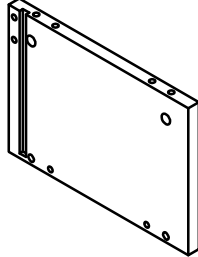
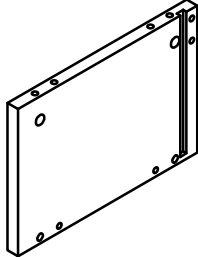
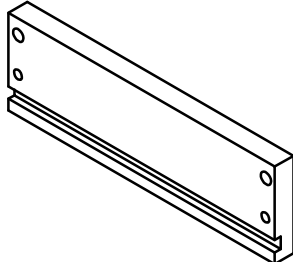
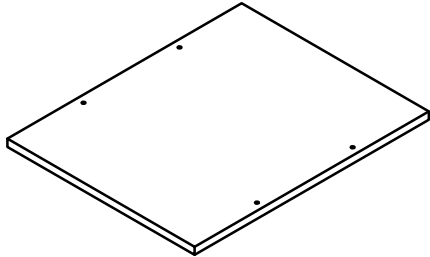
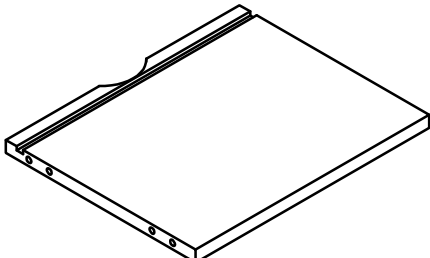
Product Dimension: 12.5"D x 15.75"W x 9"H

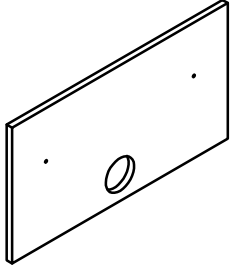
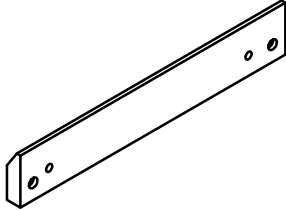
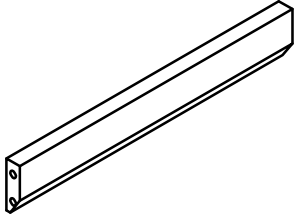
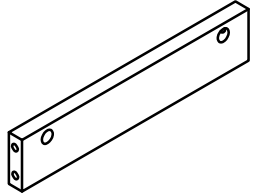
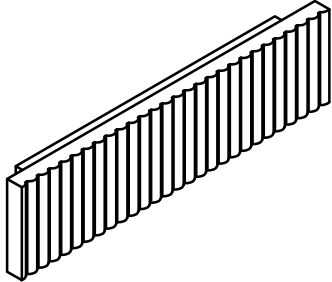
Weight Capacity : 30 Lbs



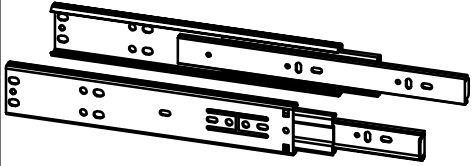
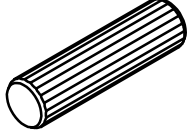

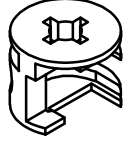
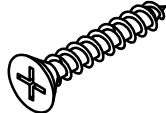
If there are any questions relating to defects, missing parts, assembly issues or replacements, please send a detailed email to cs@jonathany.com.


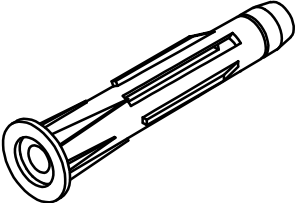
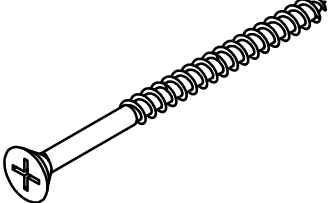
Part List

PIECE	DESCRIPTION	PICTURE	QUANTITY
A	Top Panel		1x
B	Right Side		1x
C	Left Side		1x
D	Right & Left Side Drawer Box		2x
E	Bottom Drawer		1x
F	Bottom Panel		1x

G	Back Panel		1x
H	French Cleat Wall		1x
I	French Cleat Box		1x
K	Back Panel Drawer Box		1x
L	Drawer Front Set		1x

Hardware List

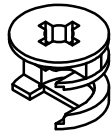
PIECE	DESCRIPTION	PICTURE	QUANTITY
1	Slide		1 set
2	Dowel D8x30		16x
3	Cam Lock Bolt		12x
4	Cam Lock Nut		12x
5	Screw M4x25		6x

6	Screw M4x12		12x
7	Anchors		2x
8	Screw M6x70		2x

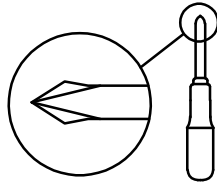
CAM LOCK FASTENER ASSEMBLY INSTRUCTIONS



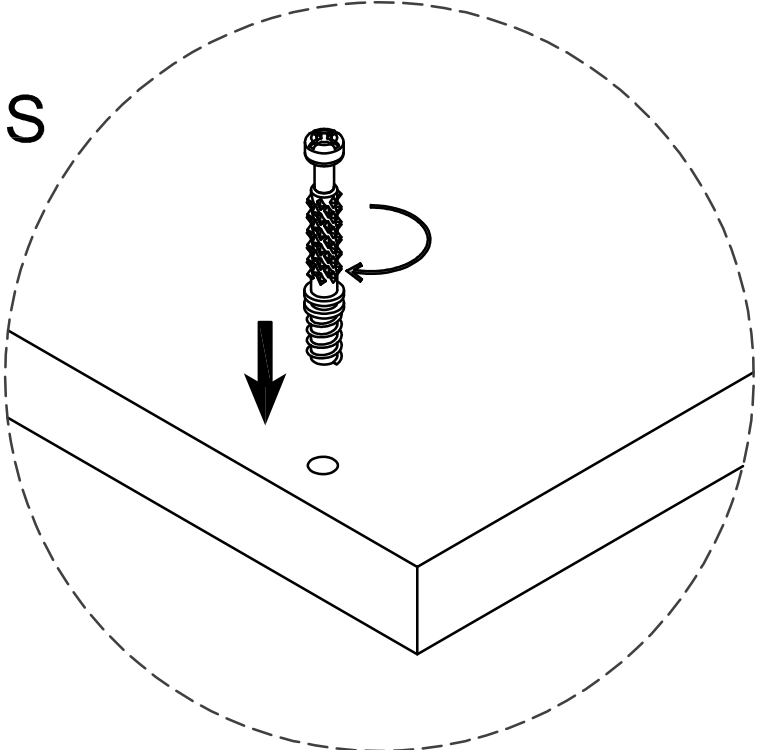
Cam Lock Bolt



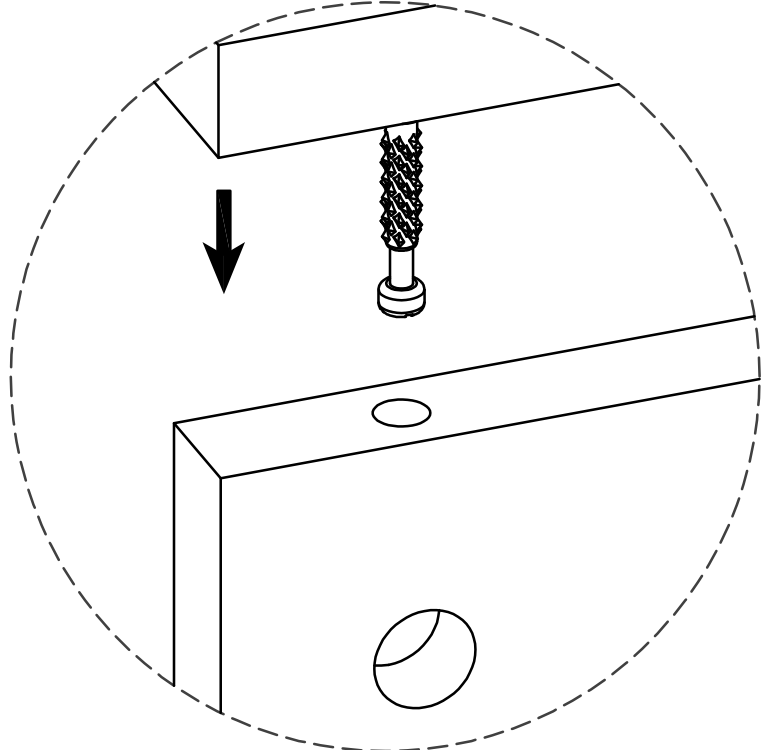
Cam Lock Nut



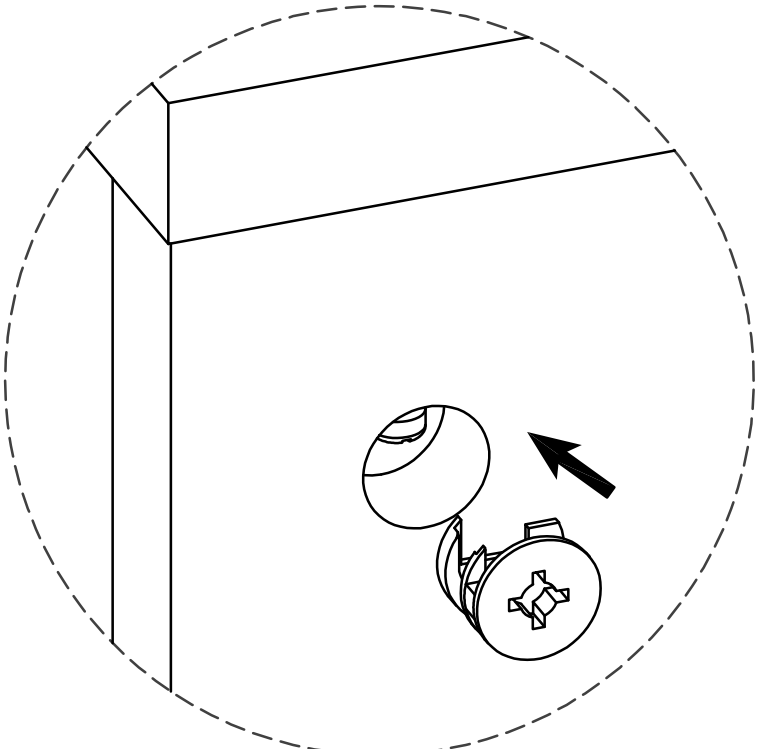
Screwdriver



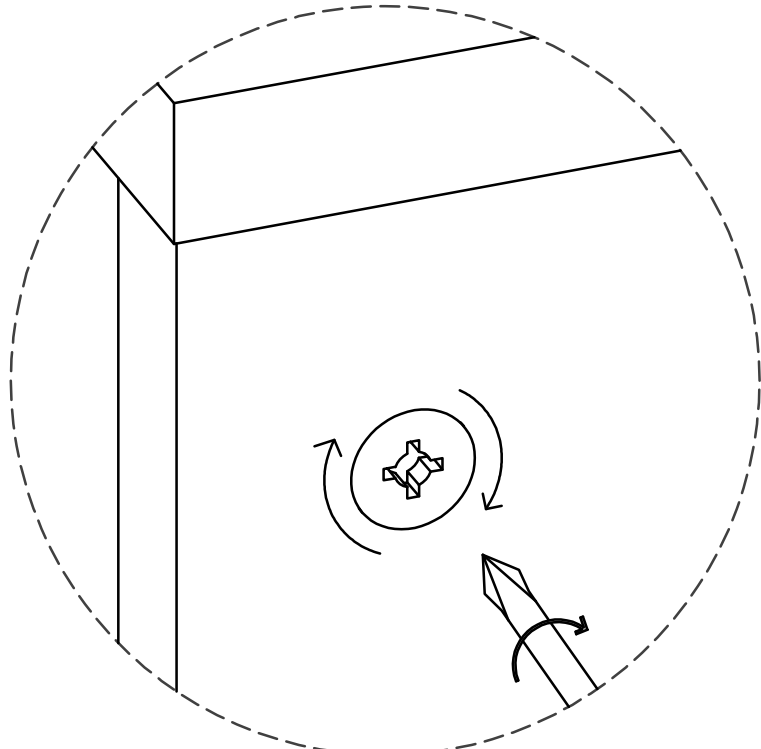
1. SCREW THE Cam Lock Bolt INTO PANEL



2. INSERT THE Cam Lock Bolt INTO THE BOLT HOLE OF JOIN PANEL



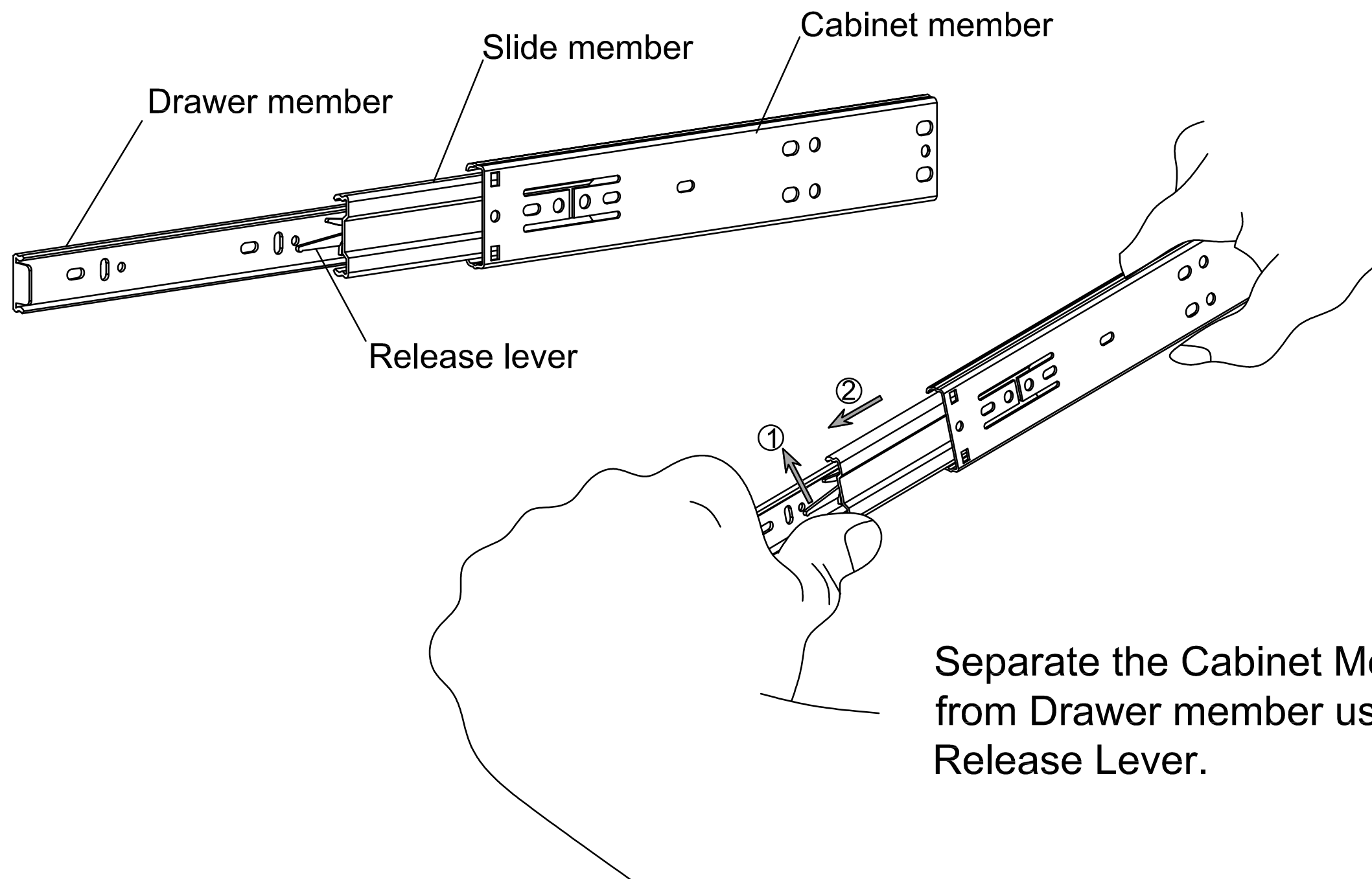
3. ALIGN THE CAM LOCK NUT WITH ITS SIDE OPENING (OR ARROW) POINTING TO Cam Lock Bolt



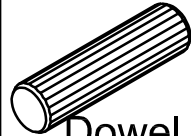

4. TURN THE CAM LOCK CLOCKWISE GENTLY UNTIL IT WILL NOT TURN ANY MORE

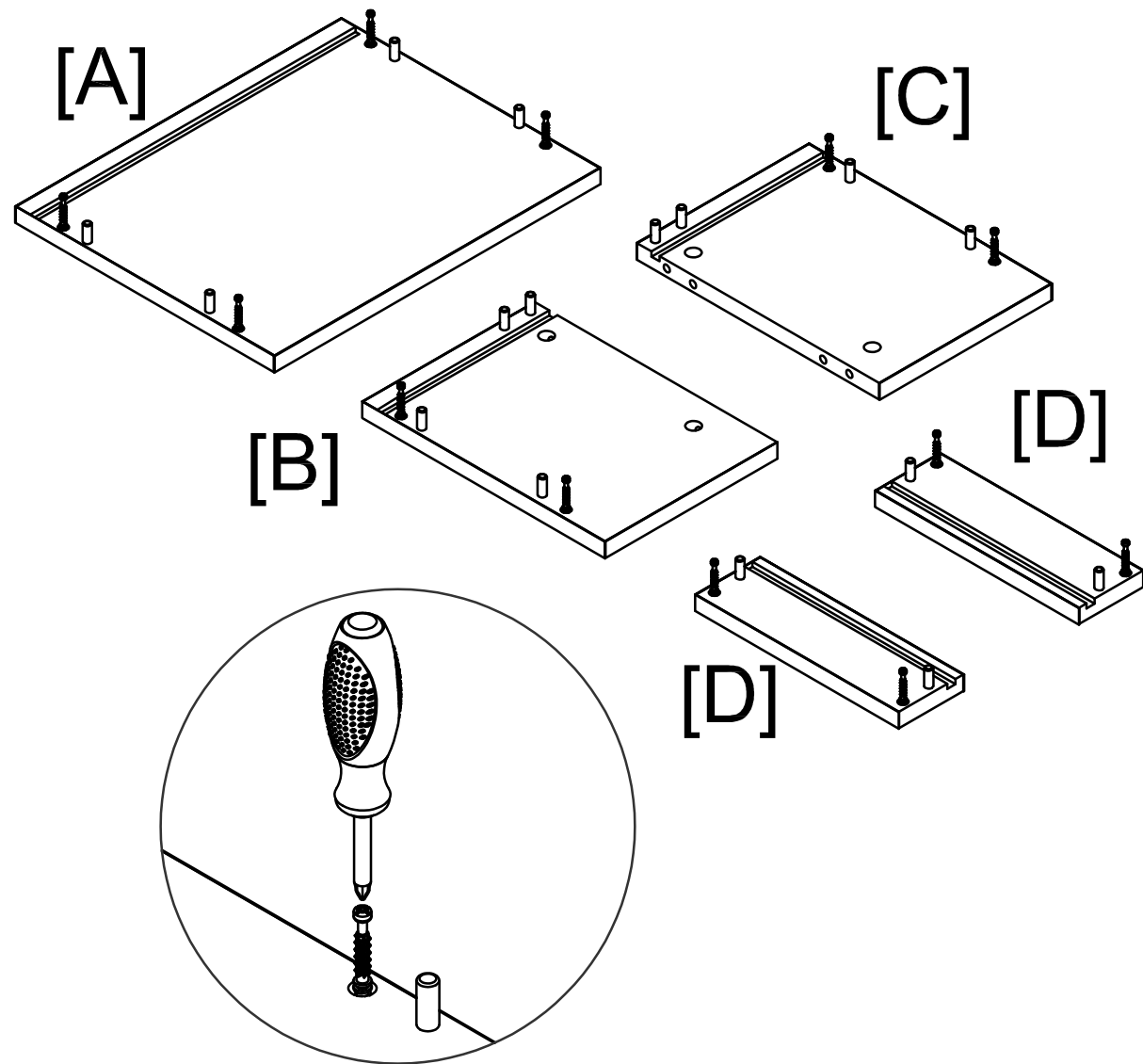
1 Separate the slide parts

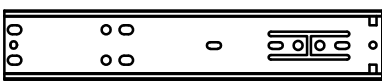

The slide has three parts:
Cabinet member, Slide member and Drawer member.

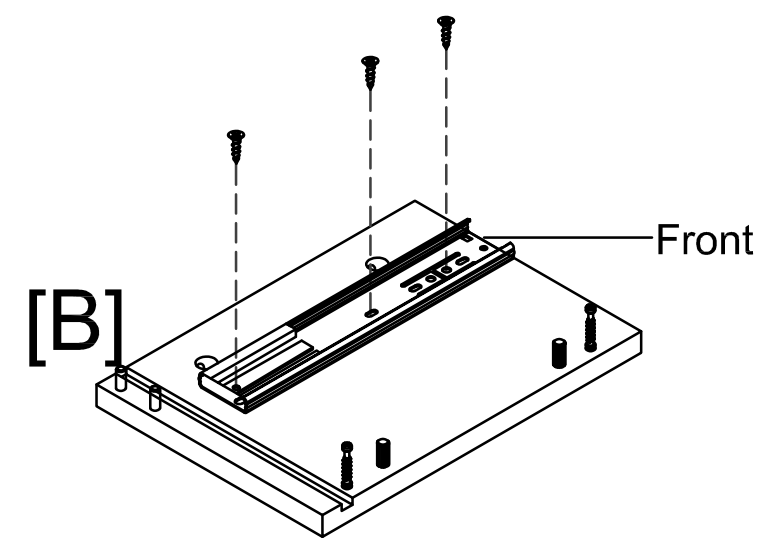
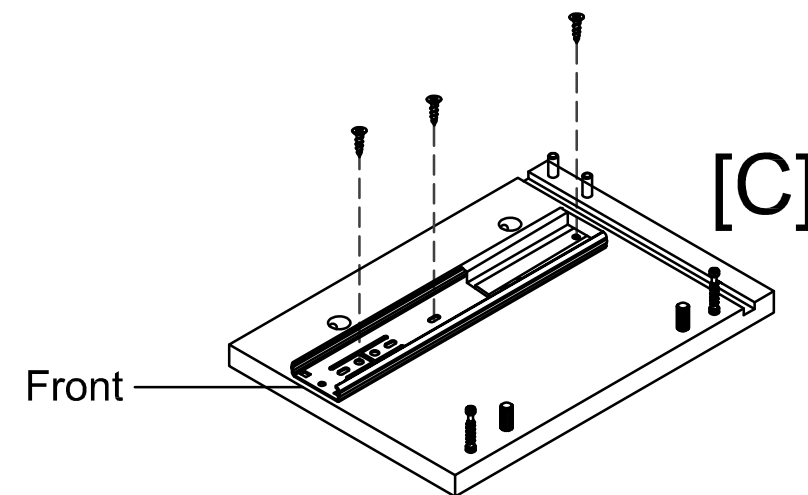
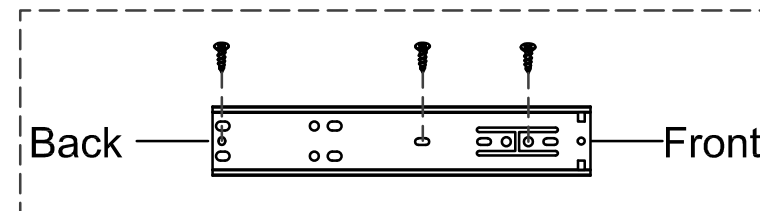


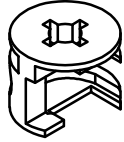
Separate the Cabinet Member
from Drawer member using the
Release Lever.

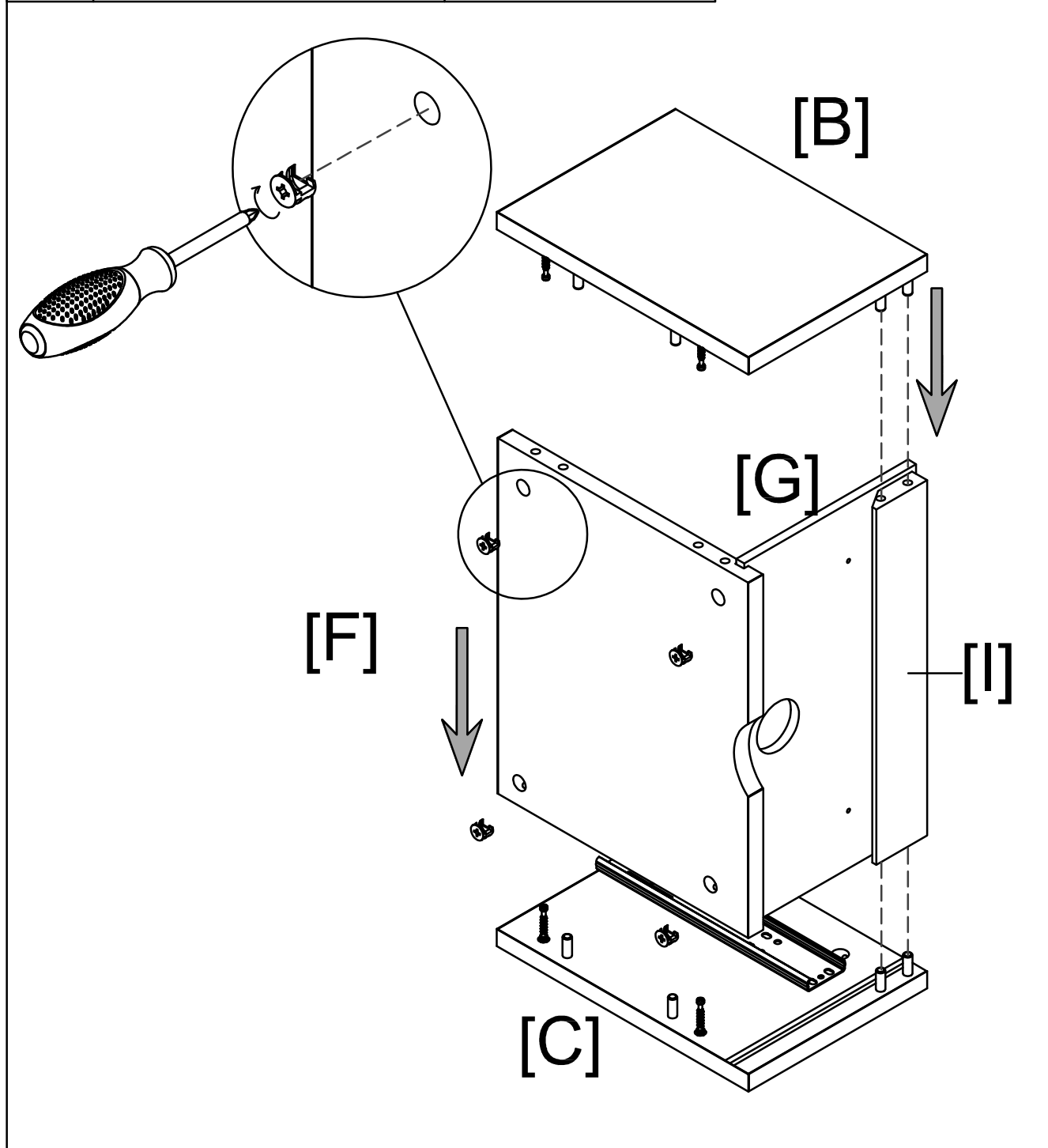
2		
2	 Dowel D8x30	16x
3	 Cam Lock Bolt	12x

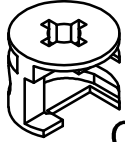


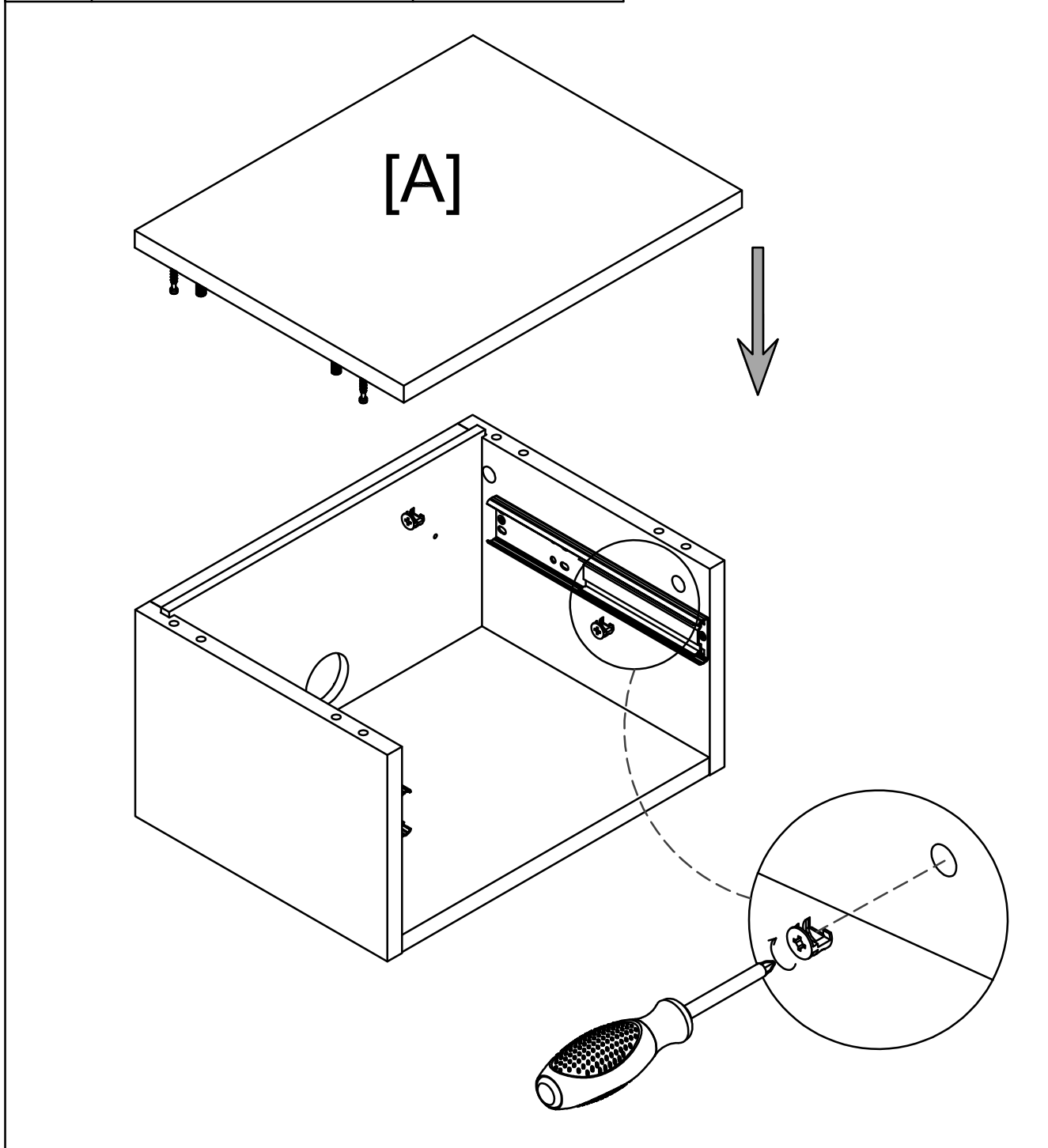
3				
1	 Slide (Cabinet member)	2x	6	 Screw M4x12


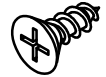


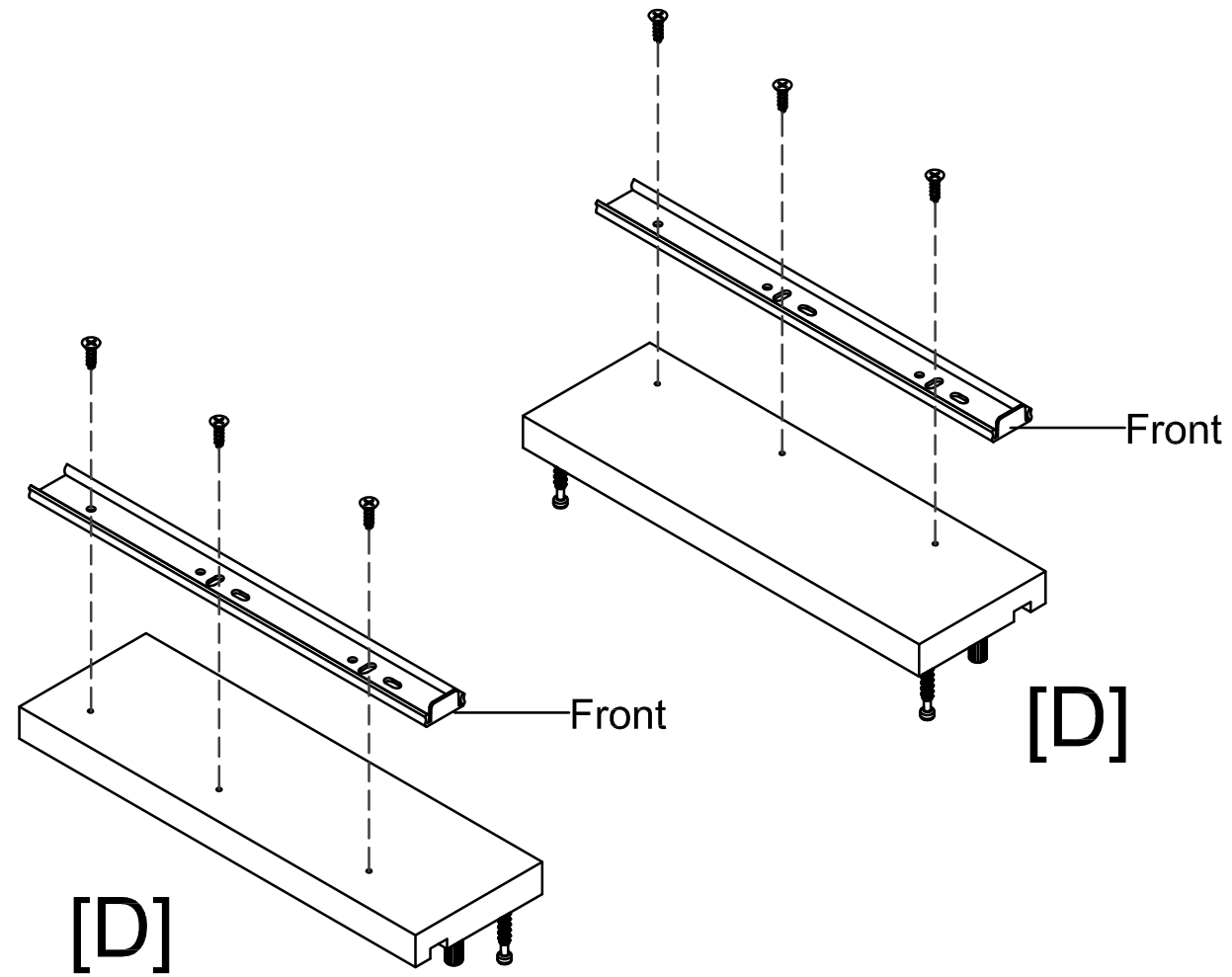
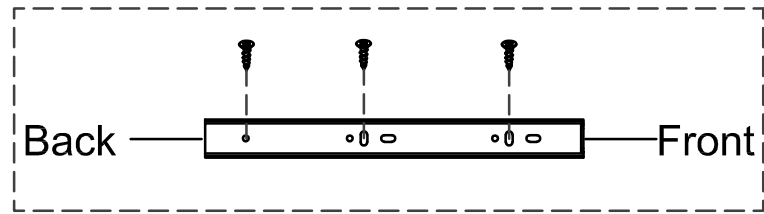
4		
4		4x
	Cam Lock Nut	

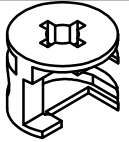
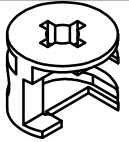


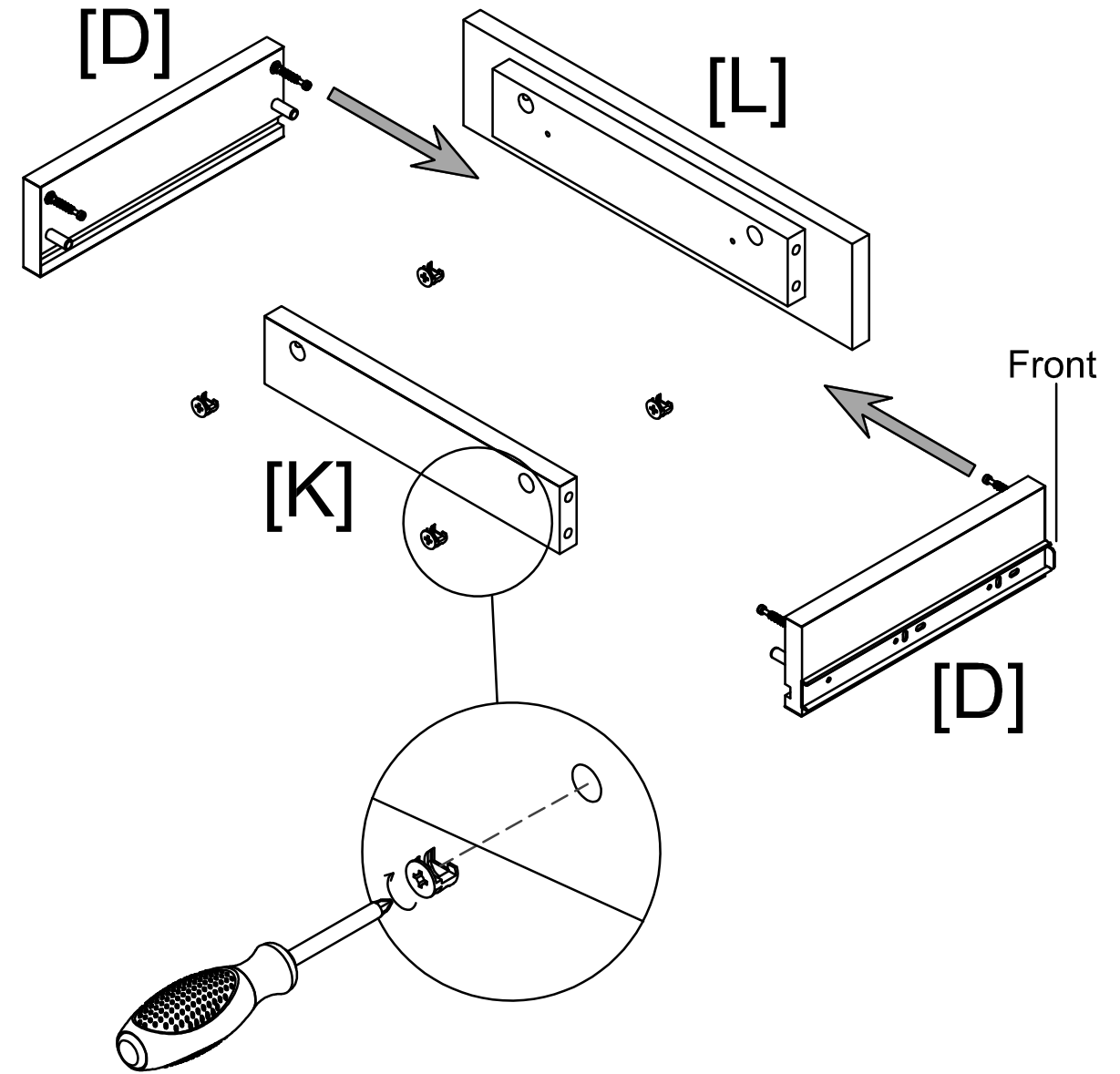
5		
4		4x
	Cam Lock Nut	

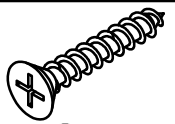


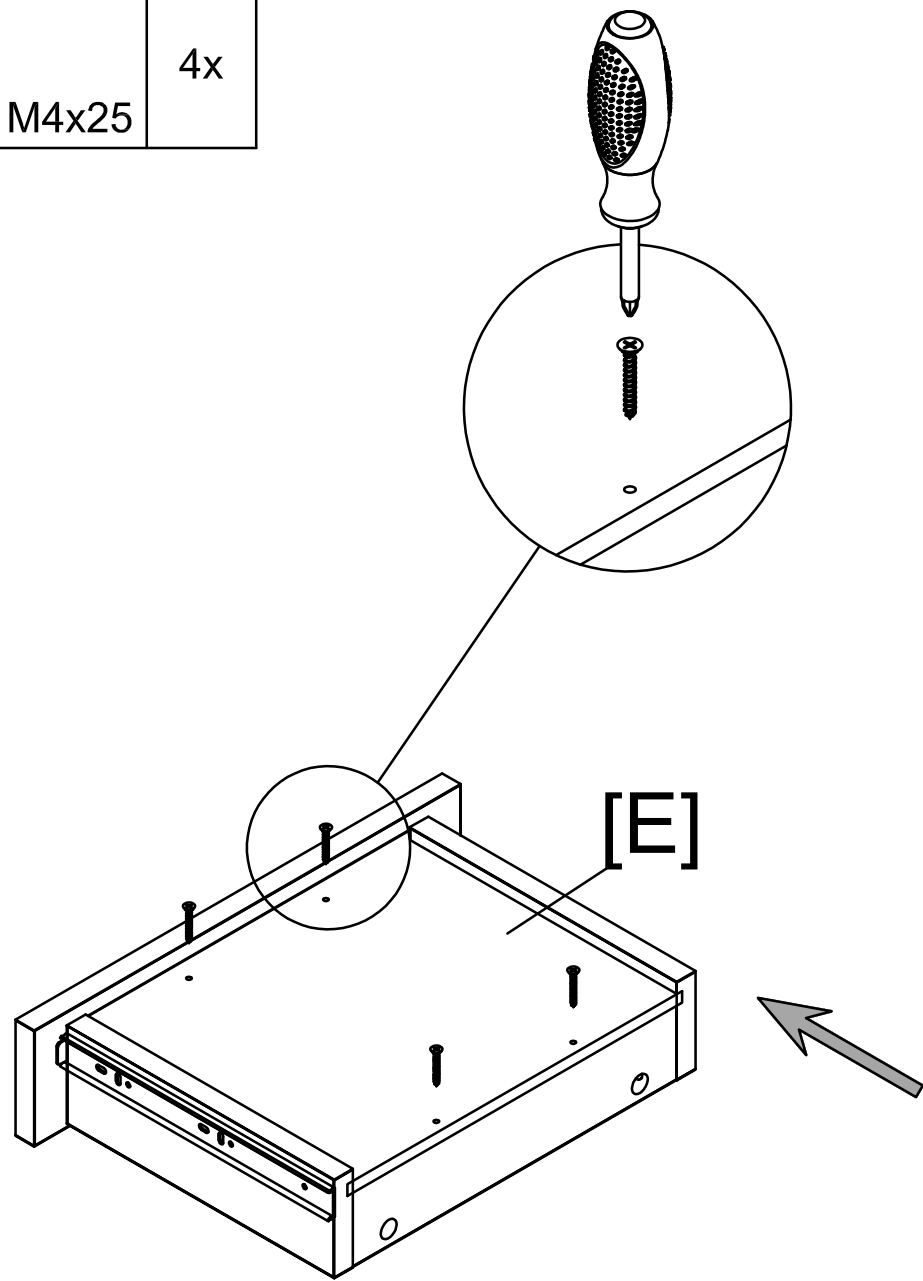
6					
1		2x	6		6x
	Slide (Drawer member)			Screw M4x12	

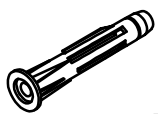


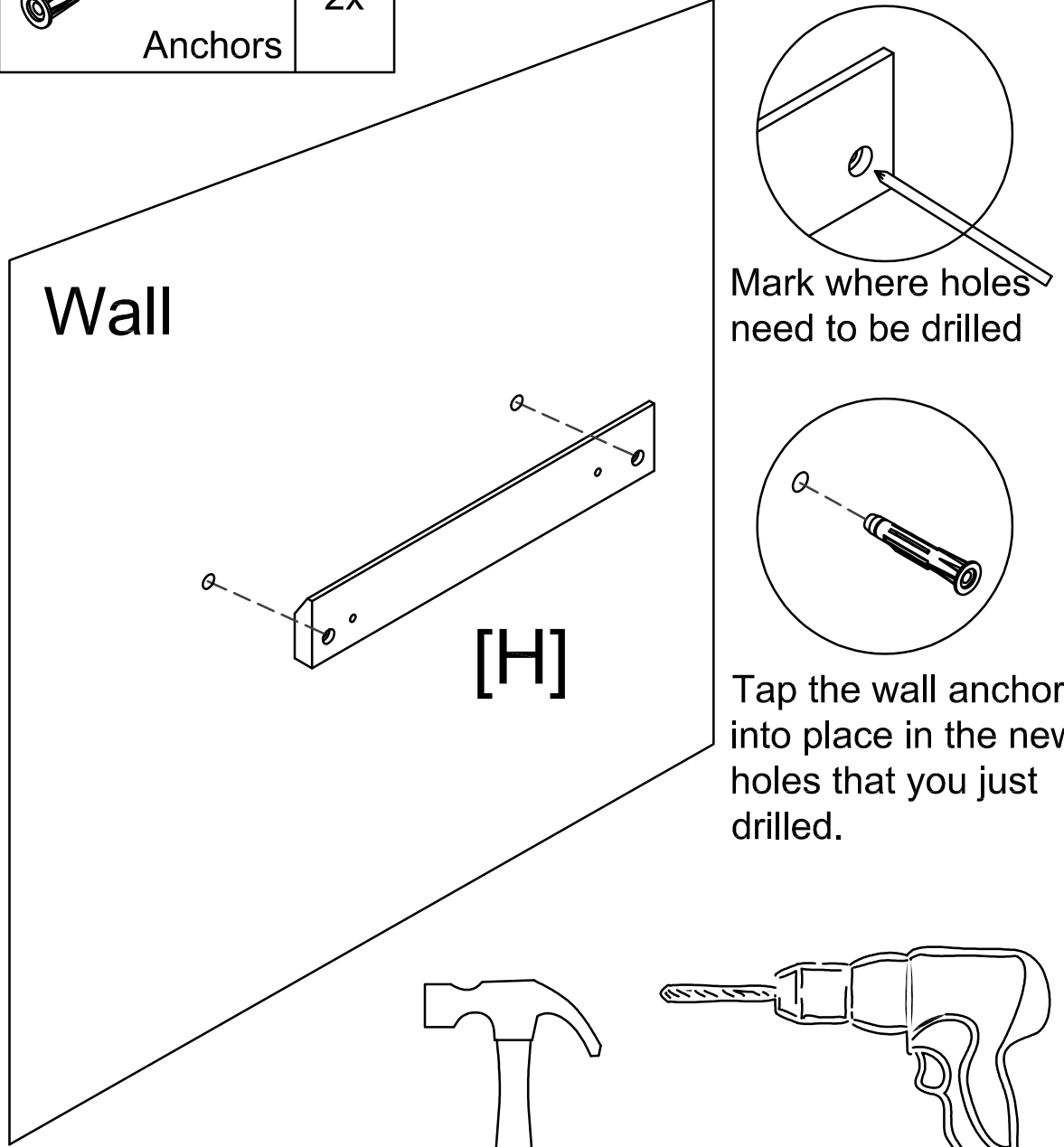
7					
4			4		4x
	Cam Lock Nut				

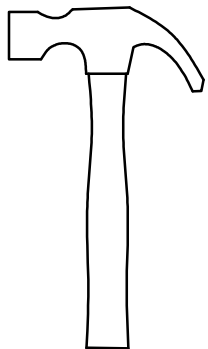


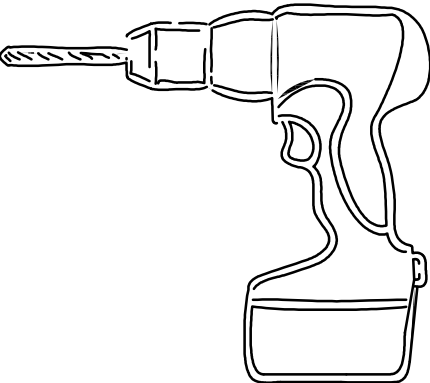
8		
5	 Screw M4x25	4x



9		
7	 Anchors	2x

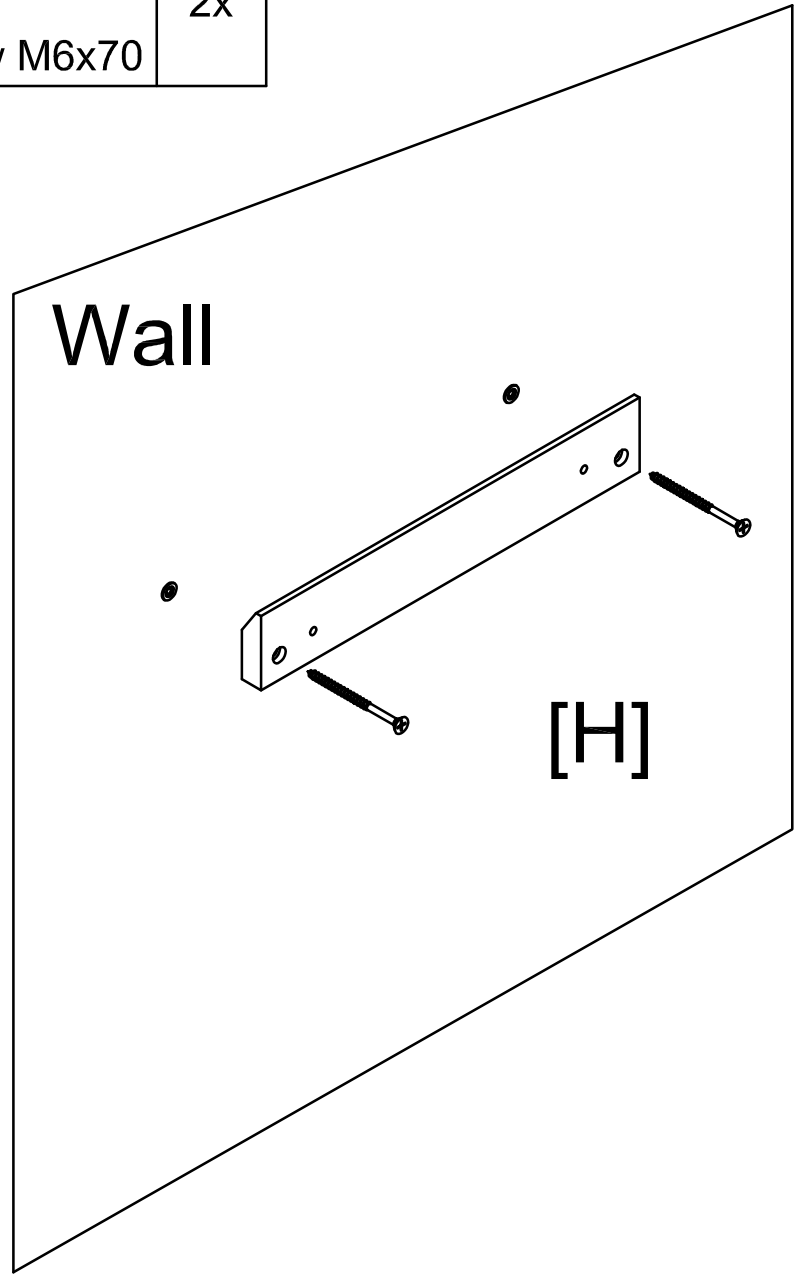



 Hammer

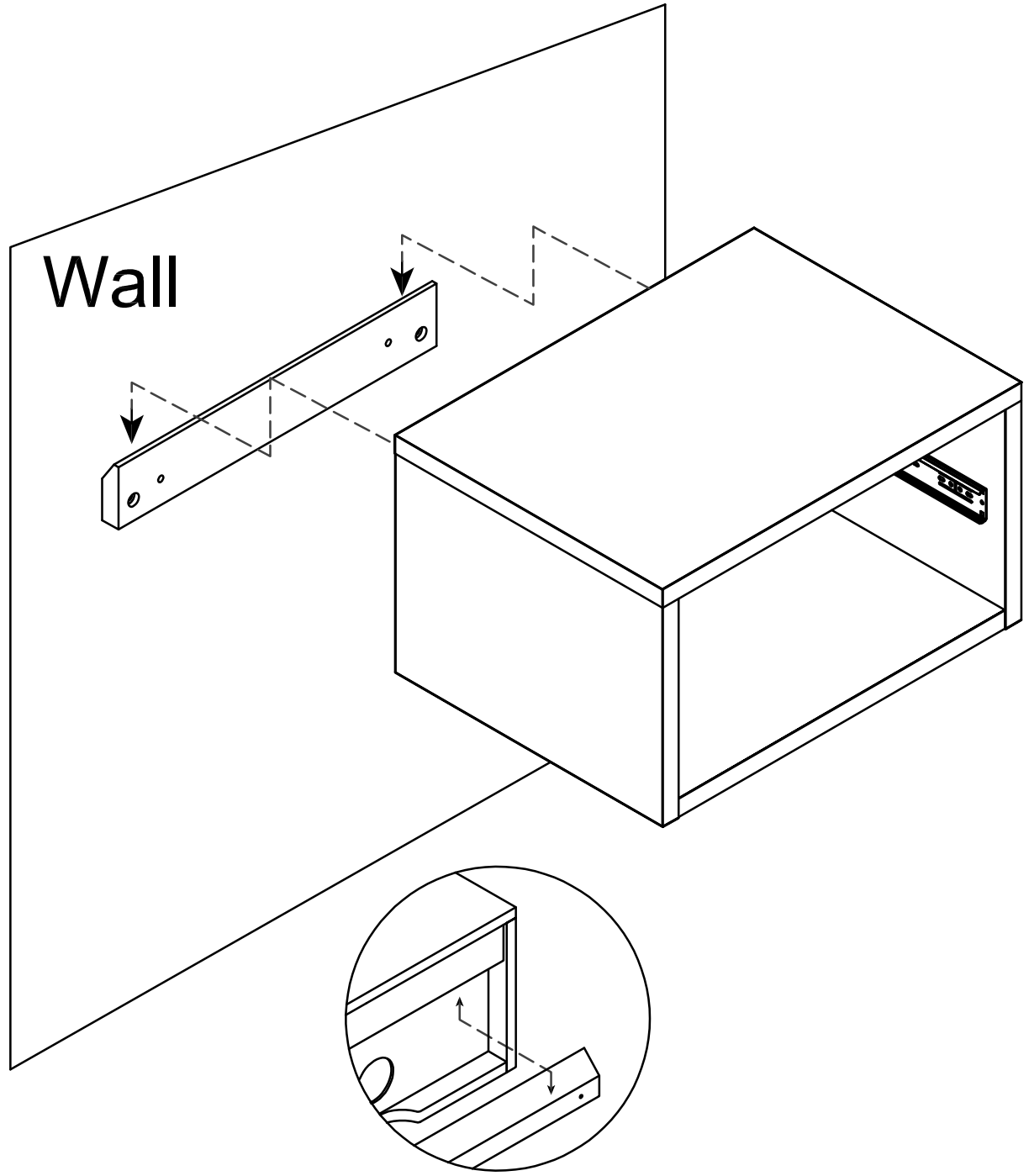

 Drill Machine

10

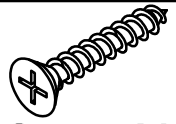
8		2x
----------	---	----

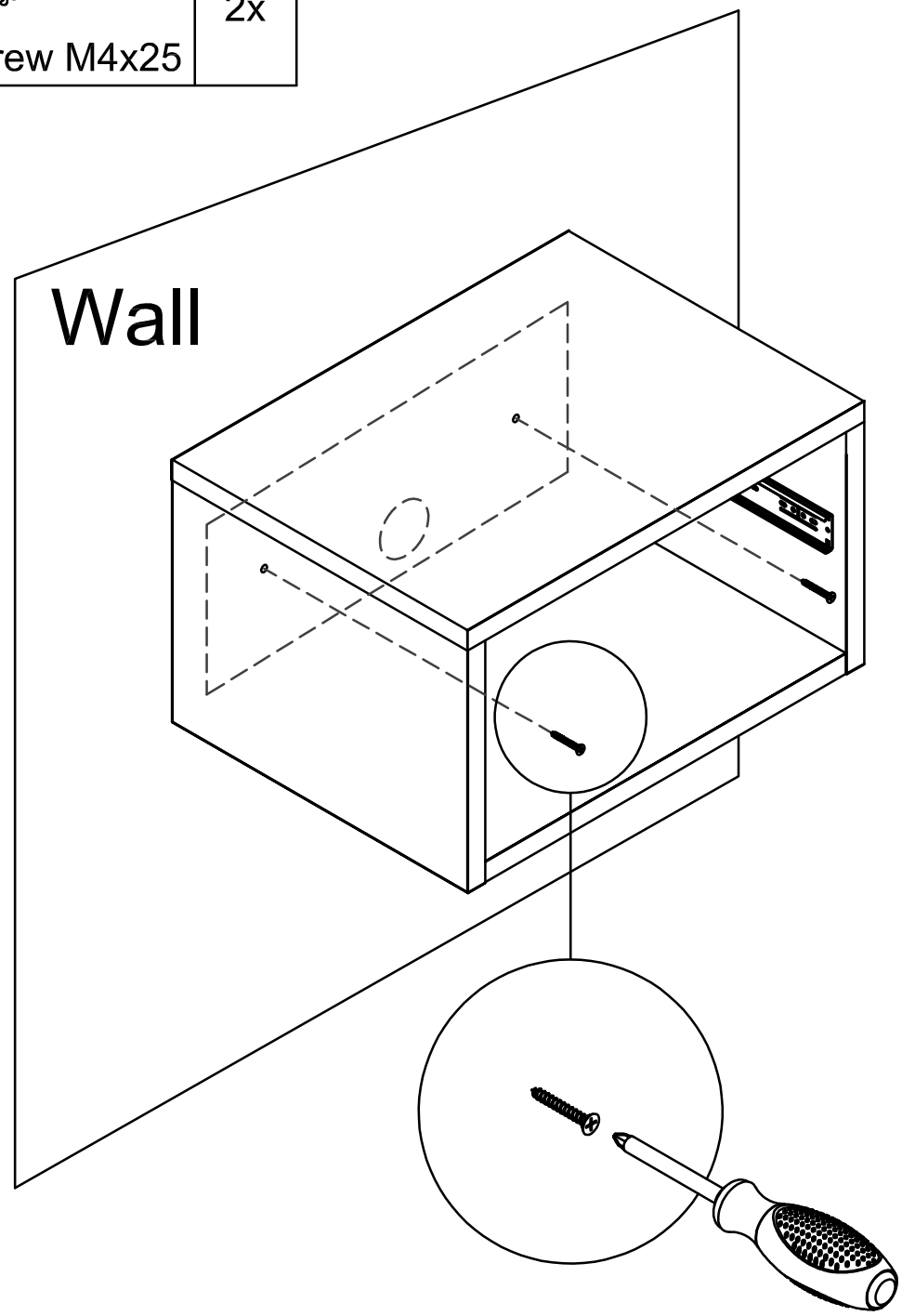


11



12

5		2x
	Screw M4x25	



13

