











# Assembly Instructions

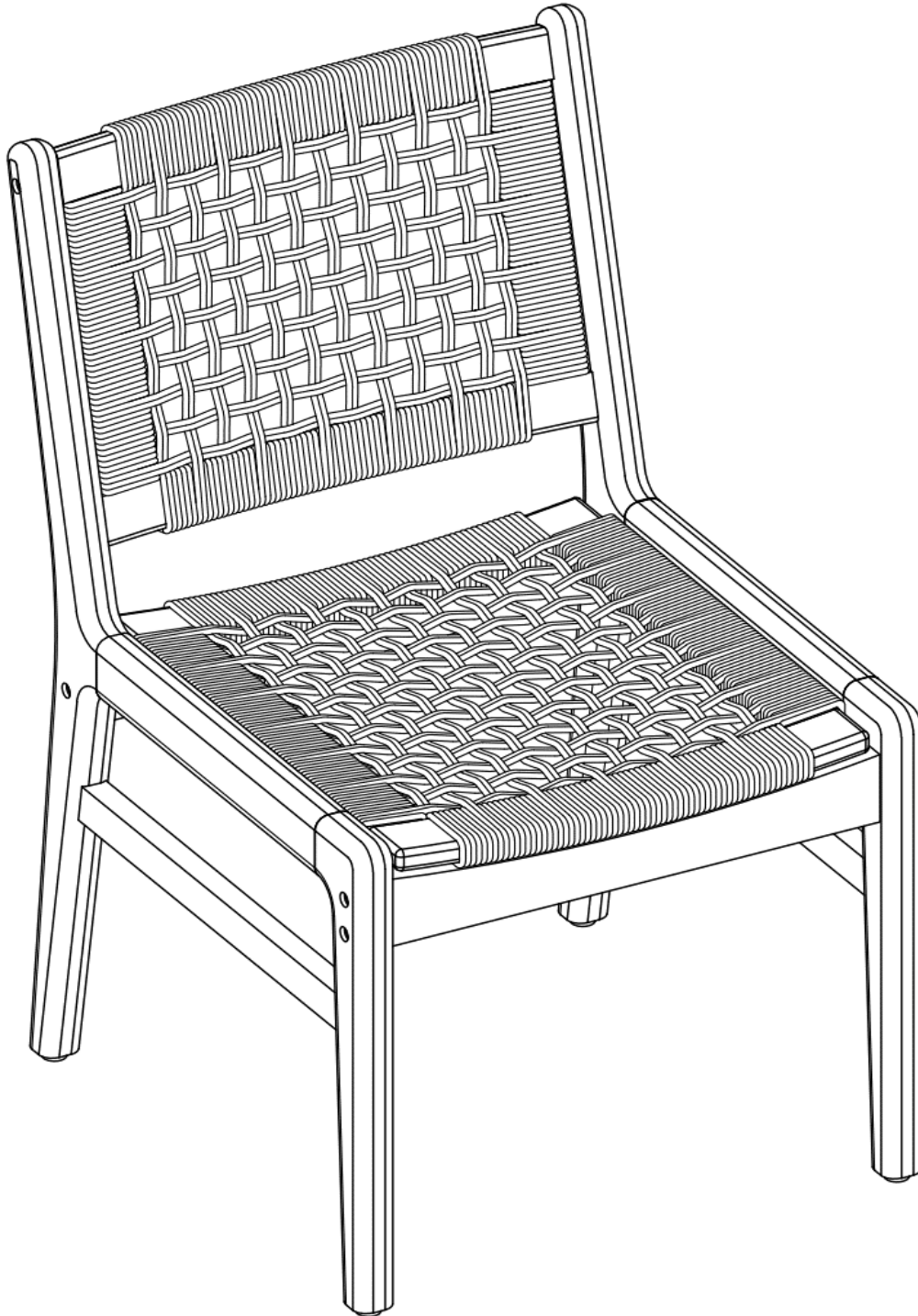
**CAUTION: You must read these Assembly Instructions before you proceed.**

## Care & Maintenance

- ⊘  • Not for commercial use. For residential use only.
- ⊘  • Do not put hot items directly on furniture surface.
- ⊘  • Do not clean furniture with harsh cleansers or polish.
- ✓  • To obtain the longest lifespan of your outdoor products, minimizing exposure to direct sunlight is recommended.
- ⊘  • Children should not climb or jump on the furniture.
- ⊘  • Do not write on furniture without a padded barrier to protect the surface.
- ✓  • To obtain the longest lifespan of your outdoor products, avoid extended and lengthy exposure to rain, snow, and direct sunshine. Whenever possible cover the product and /or place under patio or awnings.
- ⊘  • Stains may be removed with mild soap solution and damp cloth.
- ✓  • Keep away from sources of ignition.
- ✓  • Dust and pick-up spills using a clean, non-colored, lint- free cloth.

Please look in Seat Panel for hardware packs

# CHAIR

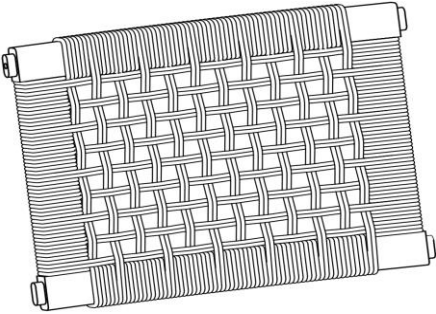
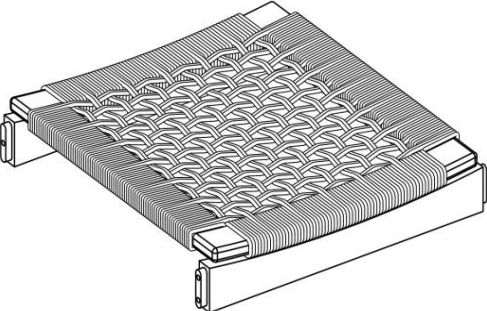
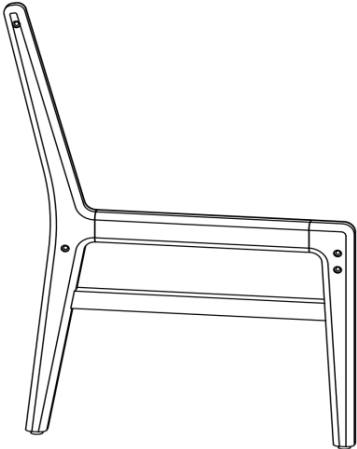
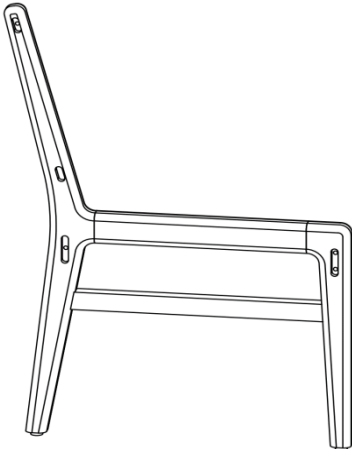


**CAUTION:** This Chair is NOT a TOY.


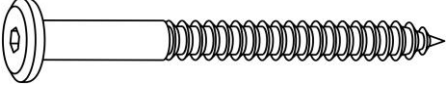
Keep your child / children at bay in the process of assembly.

For turning the Chair and to prevent damage to the Chair, two adults may be needed to execute this action.

# Parts List:

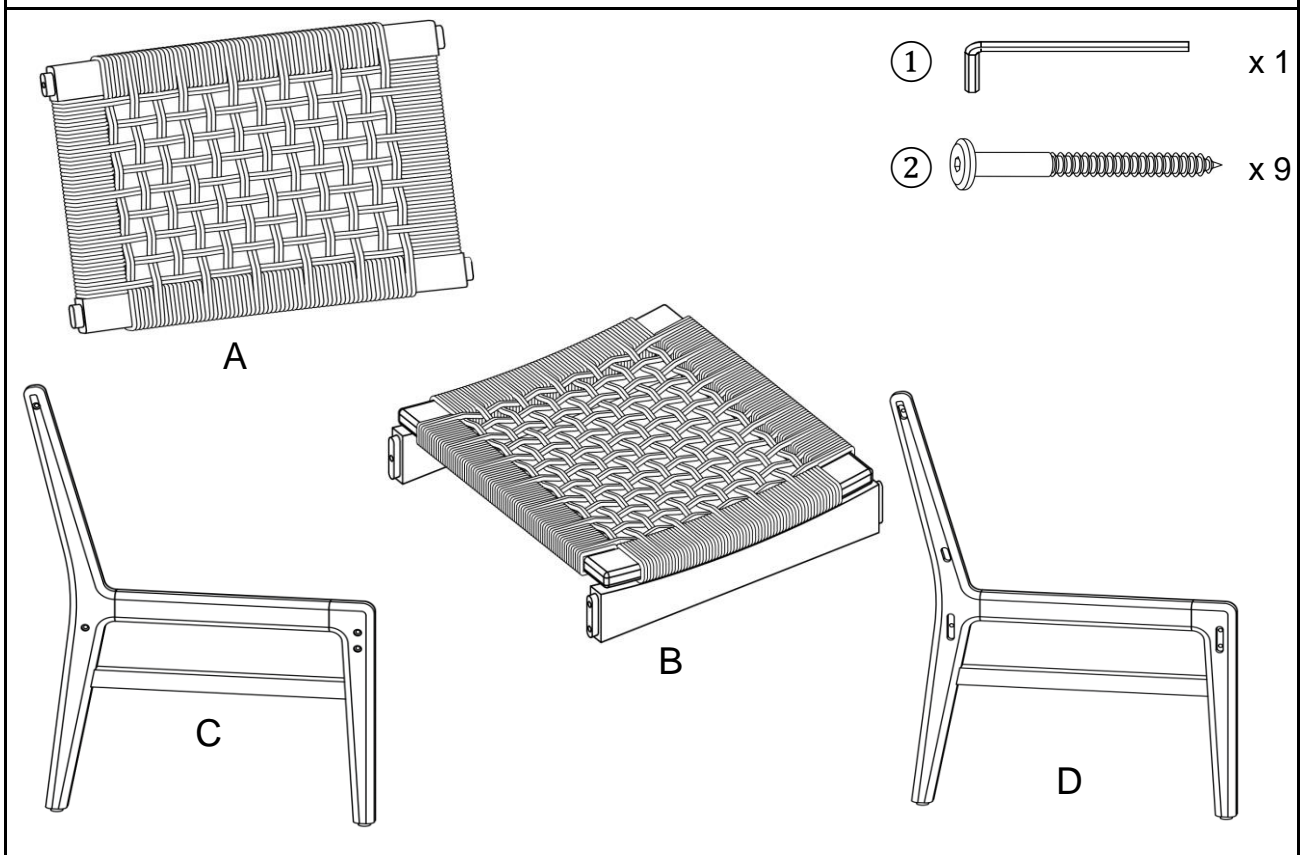
| Label | Picture   | Description     | Qty |
|-------|---|-----------------|-----|
| A     |  A rectangular woven mesh panel with a grid pattern, shown from a perspective view. It has a slightly curved top and bottom edge and appears to be attached to a frame.              | Backrest Panel  | 1   |
| B     |  A rectangular woven mesh panel with a grid pattern, shown from a perspective view. It has a slightly curved top and bottom edge and appears to be attached to a frame.              | Seat Panel      | 1   |
| C     |  A line drawing of a chair leg panel, shown from a perspective view. It features a curved backrest, a seat, and a base with four legs. The left side of the panel is highlighted.   | Left Leg Panel  | 1   |
| D     |  A line drawing of a chair leg panel, shown from a perspective view. It features a curved backrest, a seat, and a base with four legs. The right side of the panel is highlighted. | Right Leg Panel | 1   |

## Hardware:

| No | Picture   | Description     | Qty |
|----|---|-----------------|-----|
| ①  |  | Allen Wrench    | 1   |
| ②  |  | Screw (M7x70mm) | 9   |

## Assembly Preparation:

### Before Beginning Assembly:



- Read instructions, cover to cover-



- Have 2 adults on hand for assembly-



- Do not assemble on flooring or carpet-



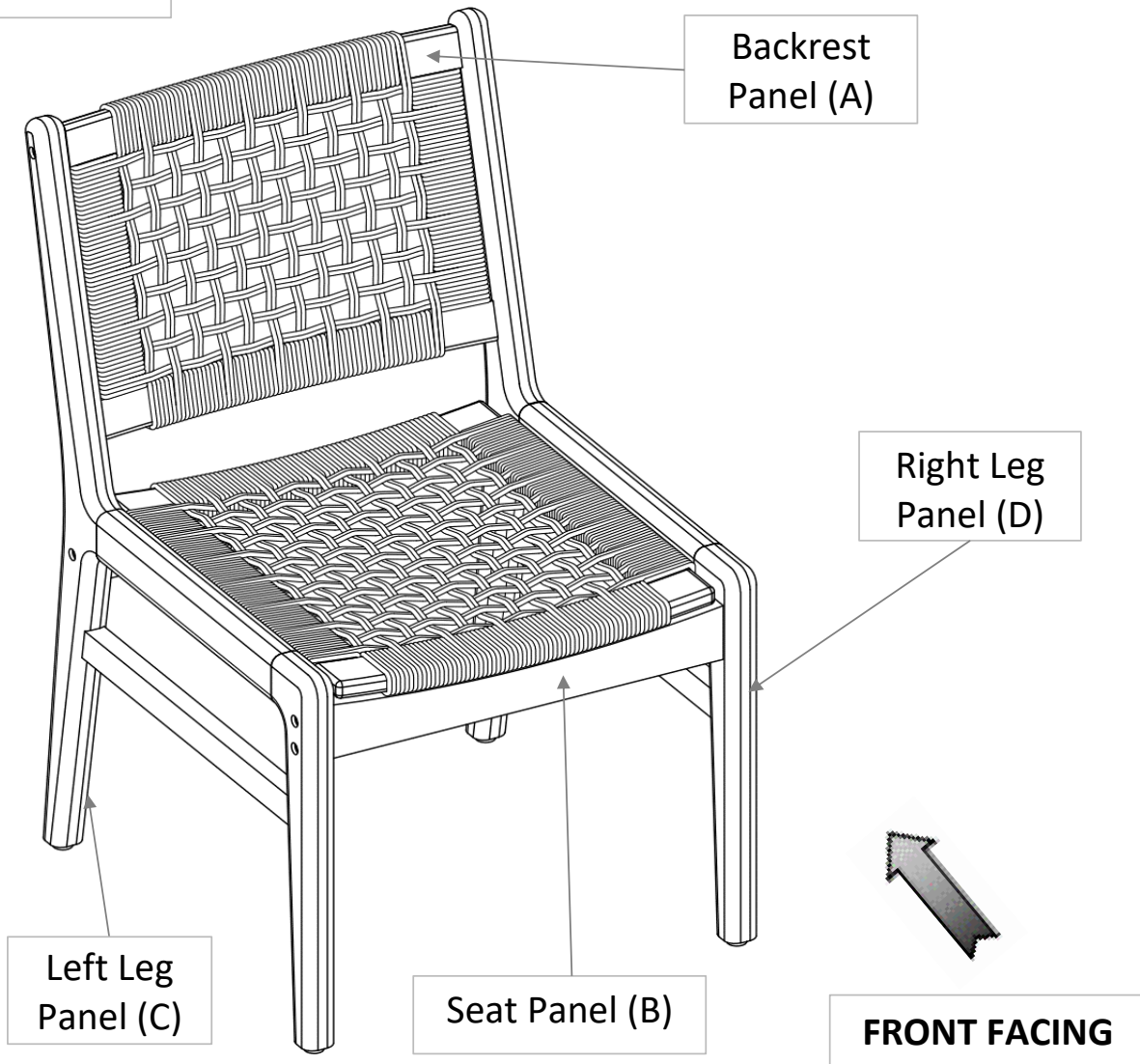
- Assemble on a clean non-marring surface (packing foam)-



- Save all packaging until finished-

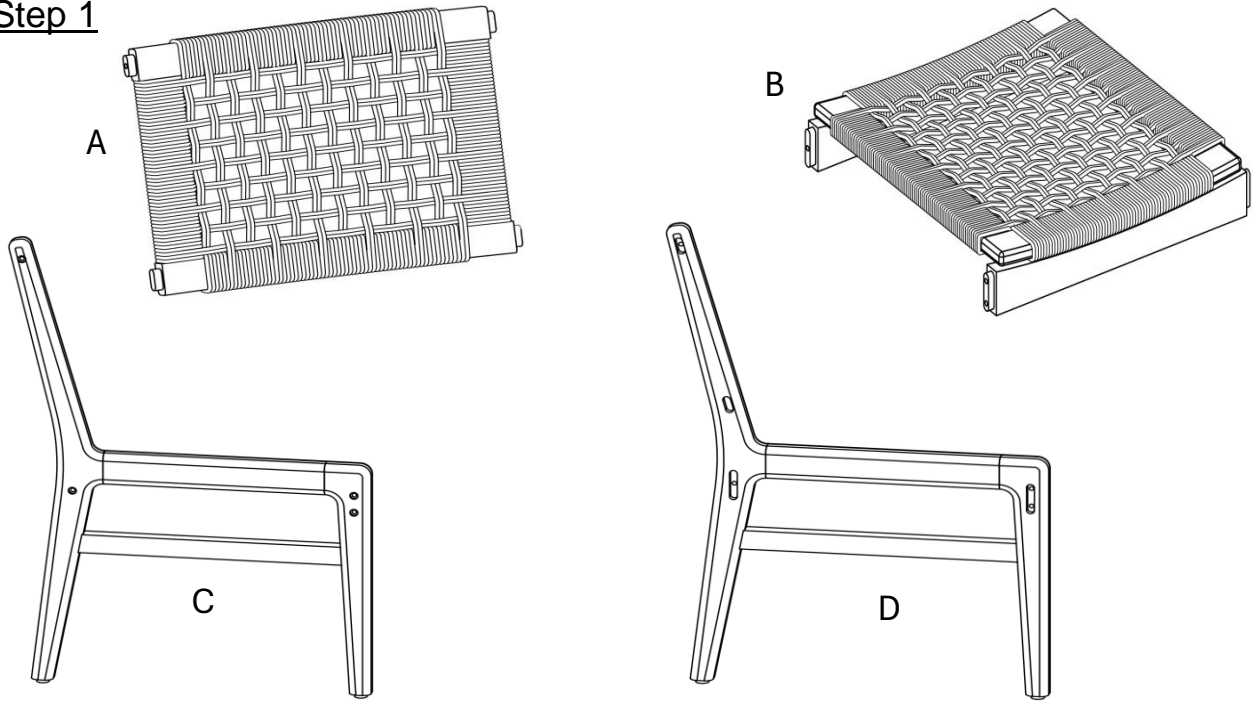
# Assembly Steps:

## OVERVIEW



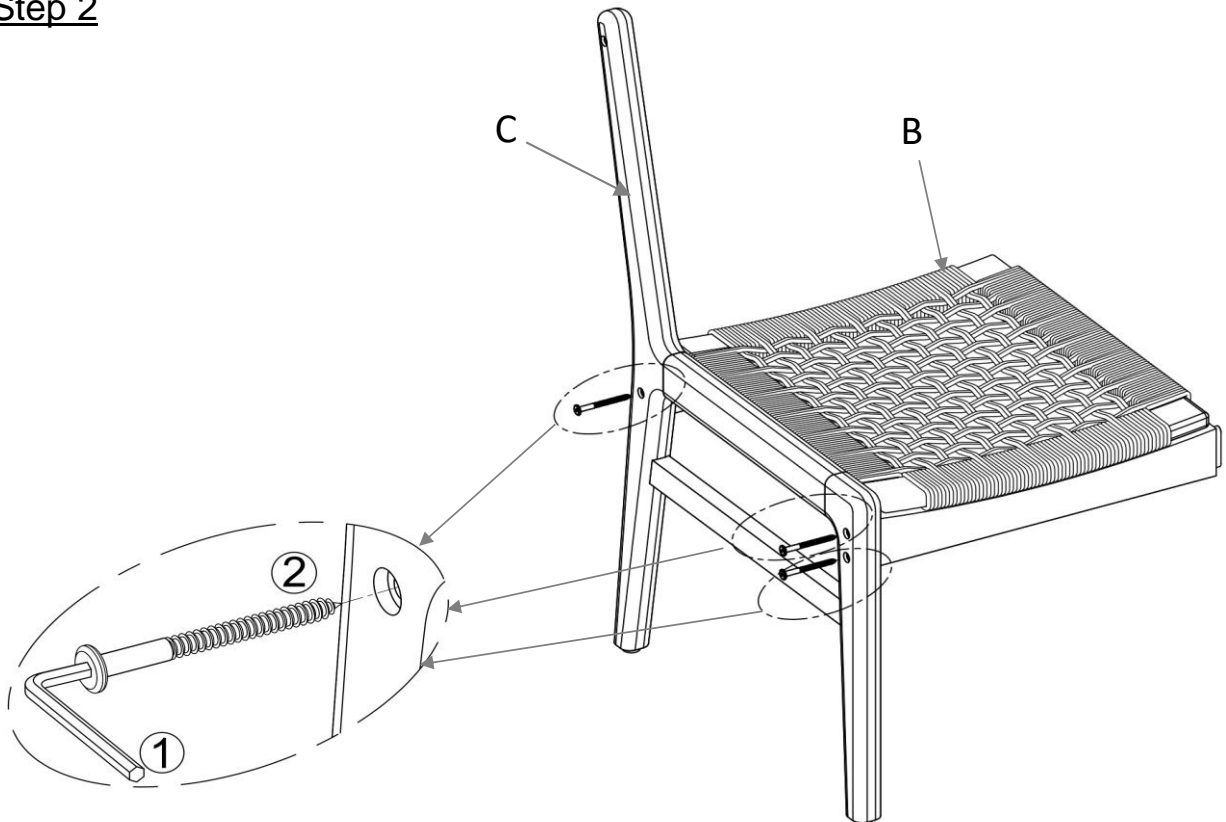
This Chair has multiple parts and may require up to 30 minutes to assemble. To give you an overview of the Chair, the above picture is to help you put the various parts into perspective. Please read through the instructions here below to familiarise yourself with the parts and steps before assembly.

## Step 1



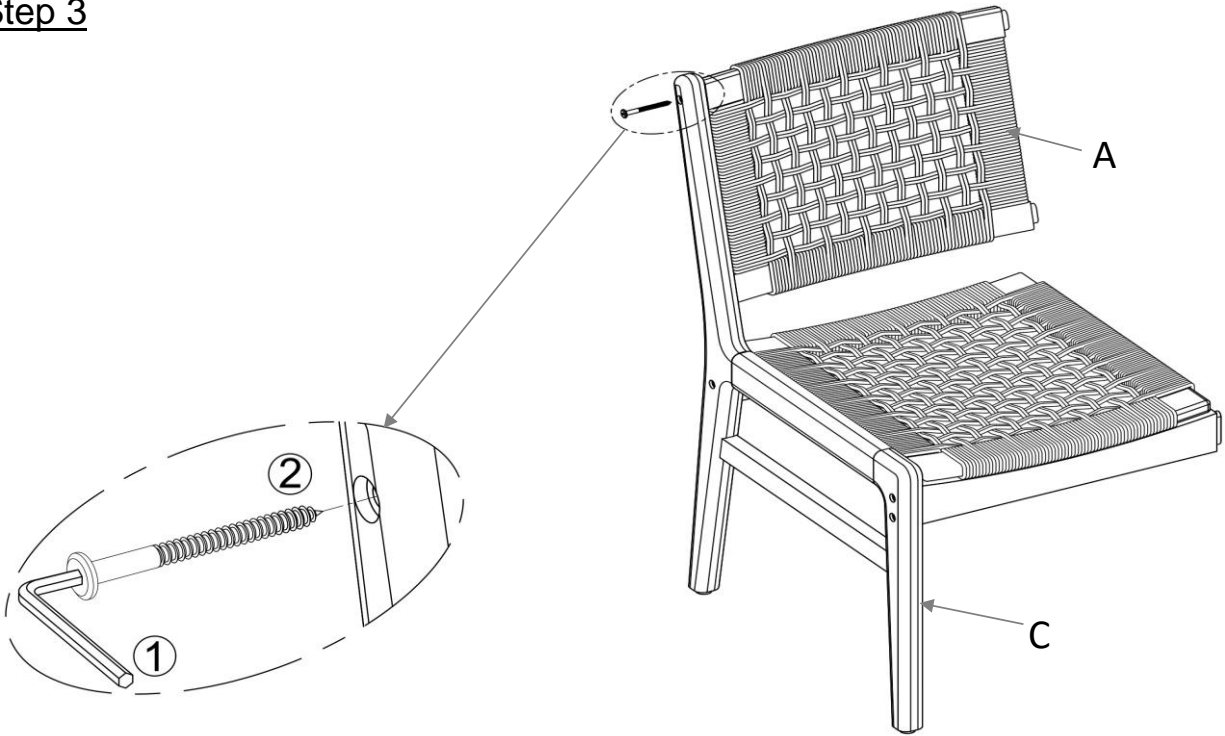
Unpack and place all parts on a clean, non-marring surface.

## Step 2



With assistance from your adult partner, attach Seat Panel (B) to the Left Leg Panel (C) by using Screws (2) with Allen Wrench (1) as shown above. **DO NOT** fully tighten the Screws.

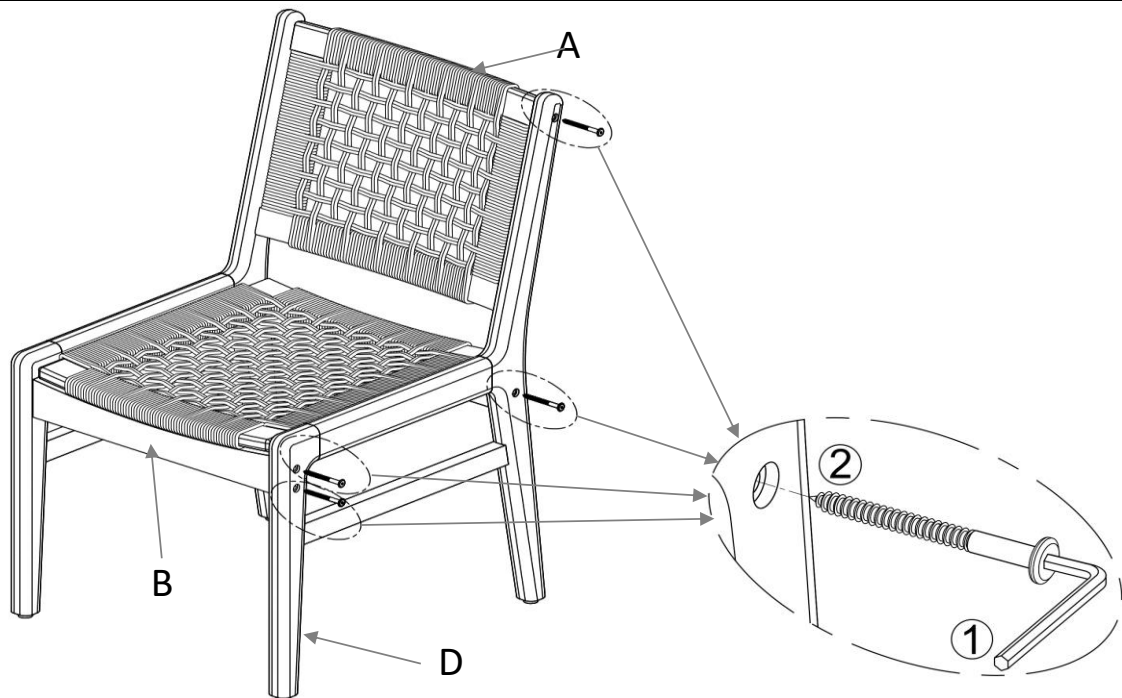
### Step 3



With assistance from your adult partner, attach Backrest Panel (A) to the Left Leg Panel (C) of the assembled part in Step 2 then secure by using Screw (2) with Allen Wrench (1) as shown above.

**DO NOT** fully tighten the Screw.

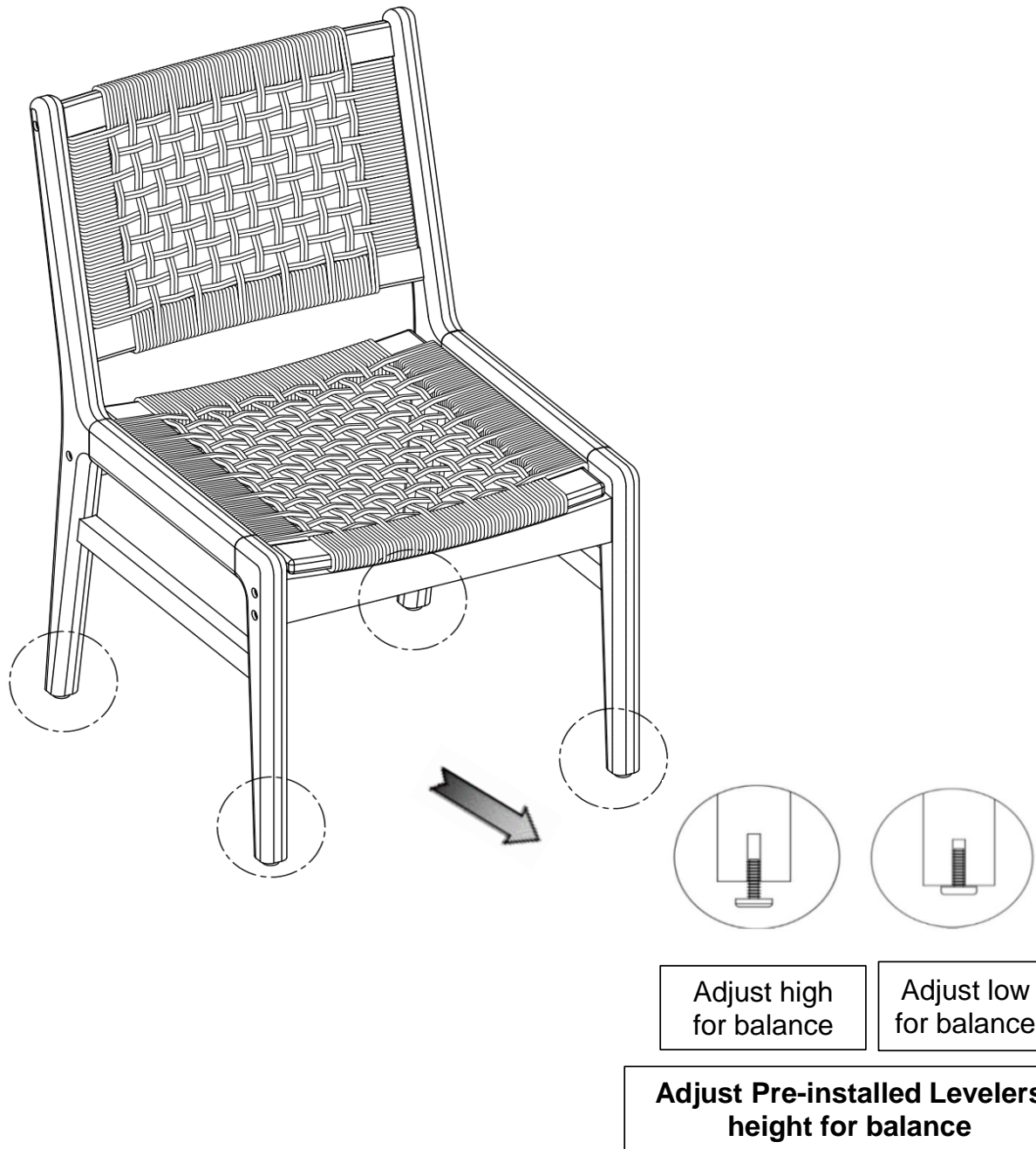
### Step 4



With assistance from your adult partner, attach the Right Leg Panel (D) to both Backrest Panel (A) and Seat Panel (B) of the assembled part in Step 3 then secure by using Screws (2) with Allen Wrench (1) as shown above.

**DO NOT** fully tighten the Screws.

## Step 5



Inspect it and make sure all parts are adequately connected.

Turn the Chair right side up.

Gently and gracefully, sit onto the Chair.

This will help to align all the parts at all joint areas.

Then get off the Chair and proceed to tighten the Screws in a sequential manner.

When tightening the Screws tighten sequentially.

**DO NOT** tighten any Screws fully and then move on towards the next one.

If there are still wobbles, loosen the Screws execute this same process.

Adjust Pre-installed Levelers height for balance as shown above.

**Your Chair is ready to use.**

**This Chair can only be used on a flat, level surface.**