

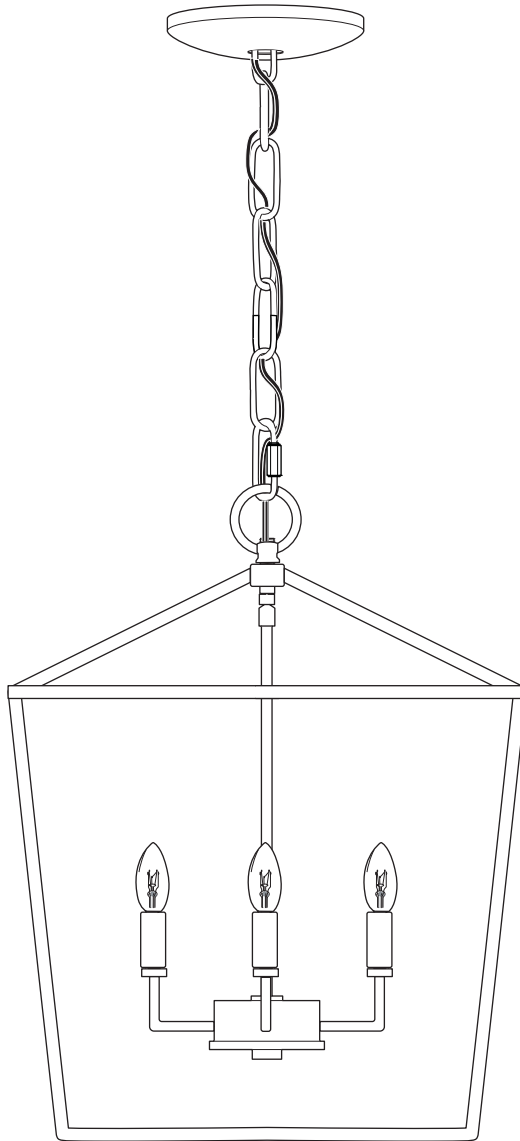
4-LIGHT PENDANT

MODEL #CPS4MBK

Français p. 12

Español p. 23

ATTACH YOUR RECEIPT HERE



Purchase Date _____


LISTED
For Damp
Location



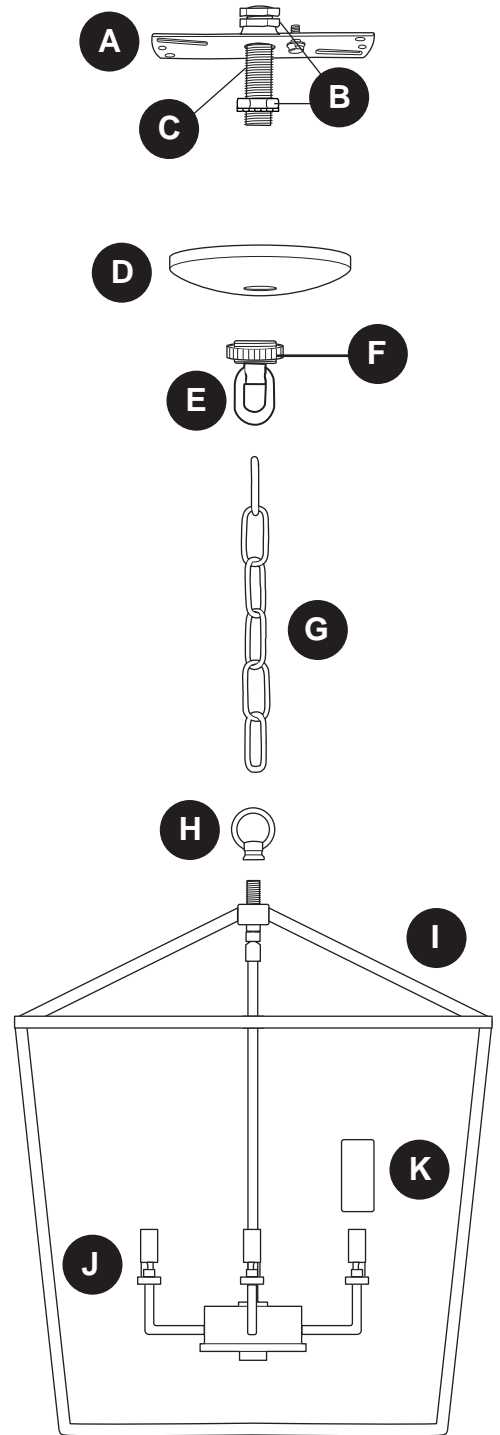
Questions, problems, missing parts? Before returning to your retailer, call our customer service department at **1-800-527-1292**, 8:30 a.m. - 5 p.m., CST, Monday - Friday.

TABLE OF CONTENTS

Package Contents	3
Hardware Contents	4
Safety Information	4
Preparation	5
Assembly Instructions	6
Care and Maintenance	11
Troubleshooting	11
Warranty	11

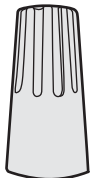
PACKAGE CONTENTS

PART	DESCRIPTION	QUANTITY
A	Mounting Strap	1
B	Hex Nut (preassembled to threaded rod (C))	2
C	Threaded Rod (preassembled to mounting strap (A))	1
D	Canopy	1
E	Screw Collar Loop (preassembled to threaded rod (C))	1
F	Threaded Ring (preassembled to screw collar loop (E))	1
G	Chain	1
H	Fixture Loop (preassembled to fixture (J))	1
I	Frame	1
J	Fixture (preassembled to frame (I))	1
K	Socket cover	4



HARDWARE CONTENTS (shown actual size)

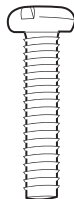
AA



Wire
Connector

Qty. 3

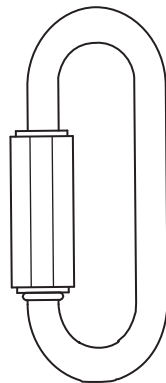
BB



Machine
Screw

Qty. 2

CC



Connecting
Chain Link

Qty. 2

SAFETY INFORMATION

READ AND SAVE THESE INSTRUCTIONS.

DANGER

- For your protection and safety, carefully read and understand the information provided in this manual completely before attempting to assemble, install or operate this product. Failure to do so could lead to electrical shock, fire or other injuries that could be hazardous or even fatal.
- DO NOT connect this fixture to an electrical system that does not provide a means for equipment grounding. Never use a fixture in a two-wire system that is not grounded. Installing a fixture into an electrical system not having a proper grounding means could cause metal parts of the fixture to carry electrical currents if any of the fixture wires, wire connections or splices were to become broken, cut or loose during the mounting or normal operation of the fixture. Under this condition, anyone coming in contact with the fixture would be subject to electrical shock, which could cause serious injury or death.
- DO NOT connect the bare or green insulation fixture ground wire to the black (HOT) current-carrying wire or the white neutral house wire. Connection of the bare or green fixture ground wire to the black or white house wires may cause metal parts of the fixture to carry electrical currents. Under this condition anyone coming in contact with the fixture will receive electrical shock, which could cause serious injury or death.
- DO NOT damage or cut the wire insulation (covering) during installation of fixture. DO NOT permit wires to contact any surface having a sharp edge. To do so may damage or cut the wire insulation, which could cause serious injury or death from electrical shock.

WARNING

- All electrical connections must be in agreement with local codes and ordinances, the National Electric Code (NEC) and ANSI/NFPA 70-1999. Contact your municipal building department to learn about your local codes, permits and/or inspections. Risk of fire – most dwellings built before 1985 have supply wire rated for 140°F. Consult a qualified electrician before installation.

SAFETY INFORMATION

WARNING

- To avoid personal injury, the use of gloves may be necessary while handling fixture parts with sharp edges.
- DO NOT suspend any fixture by the house wires. A fixture must always be mounted directly to a mounting strap which is first attached to the outlet box. Wire connectors will not support the weight of a fixture. Suspending a fixture by the house wires and wire connectors will result in the fixture falling, with the possibility of personal injury and the danger of electrical shock or fire.
- To reduce the risk of fire, electrical shock, or personal injury, wire connectors provided with this light fixture are designed to accept only one 12-gauge house wire and two lead wires from the light fixture. If your house wire is larger than 12-gauge or there is more than one house wire to connect to the corresponding fixture lead wires, consult an electrician for the proper size wire connectors to use.
- To reduce the risk of damage to the fixture, DO NOT use power tools to assemble any part of the fixture.

CAUTION

- TURN OFF ELECTRICITY at main fuse box (or circuit breaker box) before beginning installation by removing the fuse (or switching the circuit breaker off).
- If you are not sure the lighting system has a grounding means, DO NOT attempt to install this fixture. Contact a qualified, licensed electrician for information regarding the proper grounding methods as required by the local electrical code in your area.
- All fixtures must be mounted to an outlet box that is supported by the building structure.
- DO NOT use bulbs having a wattage greater than the maximum value stated on the fixture. The use of bulbs with higher wattage than specified will increase temperatures and risk of fire.
- If a dimmer control switch is used with this fixture, obtain professional advice to determine the correct type to use as well as the electrical rating required.

PREPARATION

Before beginning assembly of product, make sure all parts are present. Compare parts with package contents list. If any part is missing or damaged, do not attempt to assemble the product.

Estimated Assembly Time: 45 minutes

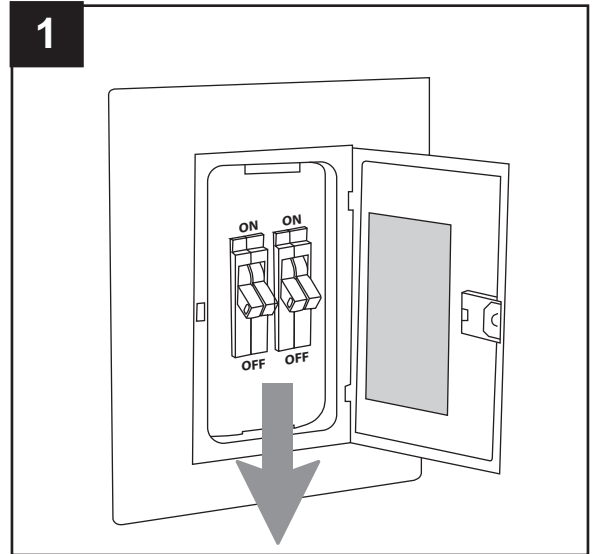
Tools Required for Assembly (not included): Flathead Screwdriver, Phillips Screwdriver, Wire Strippers, Pliers, Wire Cutters, Safety Glasses, Stepladder, Electrical Tape

Helpful Tools (not included): A/C Tester Light, Do-It-Yourself Guide, Soft Cloth

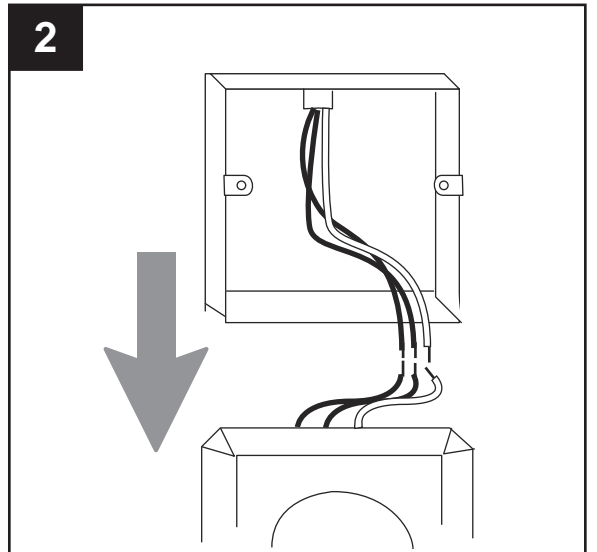
ASSEMBLY INSTRUCTIONS

1. Turn off circuit breakers and wall switch to the fixture supply line leads.

⚠ DANGER: Failure to disconnect power supply prior to installation may result in serious injury or death.



2. Remove existing fixture and disconnect all electrical wiring.

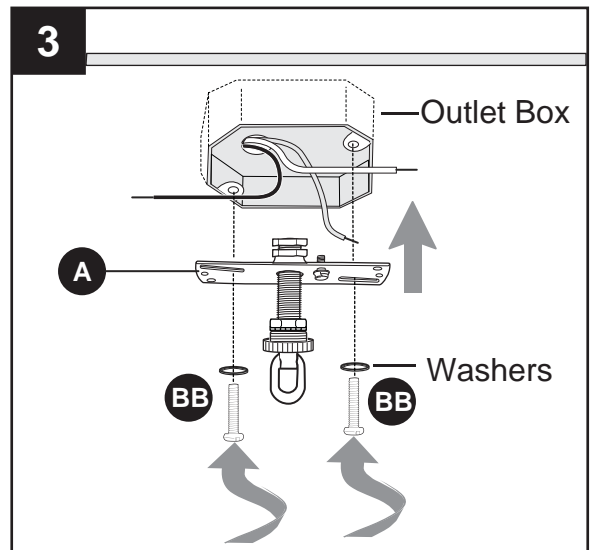


3. Attach mounting strap (A) to outlet box (not included) using the existing washers and outlet box screws or the machine screws (BB).

NOTE: If the outlet box screws required for your outlet box are of a different size than the machine screws (BB), consult with a licensed electrician before proceeding.

Tighten machine screws (BB) completely to secure mounting strap (A) to outlet box.

⚠ CAUTION: Make sure the outlet box can support 35 lbs. hanging weight. Use *metal* outlet box; plastic outlet boxes are not recommended.



Hardware Used

BB Machine Screw  x 2

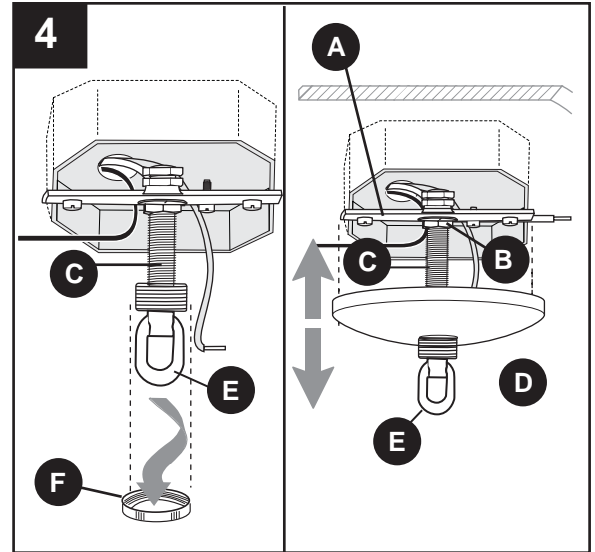
ASSEMBLY INSTRUCTIONS

4. Remove threaded ring (F) from screw collar loop (E) and save for later use.

Temporarily place canopy (D) over mounting strap (A) to determine amount of adjustment necessary for threaded rod (C).

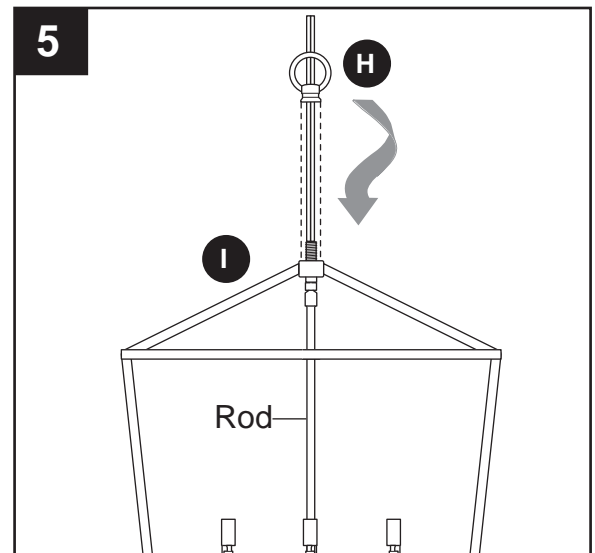
NOTE: Canopy (D) should fit flush against ceiling when mounted. Once threaded rod (C) is adjusted, tighten hex nuts (B) securely against mounting strap (A).

Set canopy (D) aside.



5. Slide fixture loop (H) down wiring and then screw fixture loop (H) tightly onto frame (I).

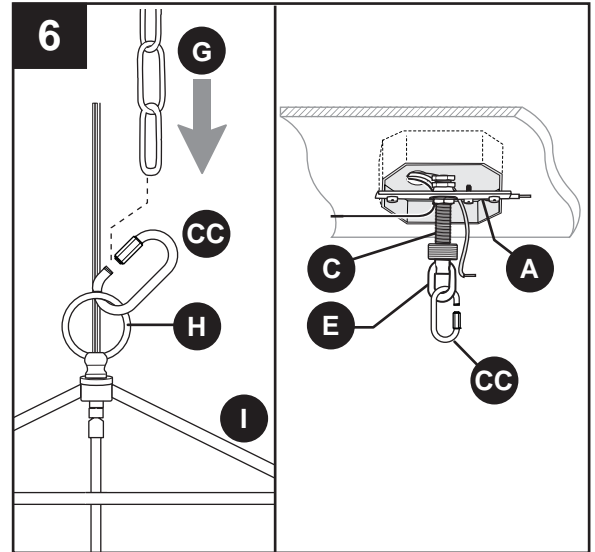
NOTE: Fixture (J) may spin as you are attaching fixture loop (H). Simply hold fixture (J) by the rod to tighten fixture loop (H).



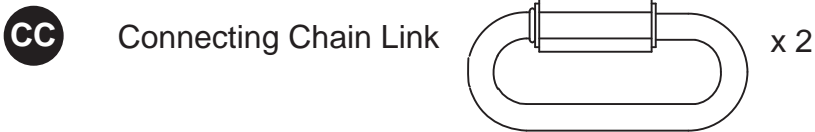
ASSEMBLY INSTRUCTIONS

6. Locate connecting chain links (CC) in hardware pack and open both of them. Attach one connecting chain link (CC) to fixture loop (H) at the top of the frame (I) and then attach one end of the chain (G) to the connecting chain link (CC). Close this connecting chain link (CC).

Hook the other connecting chain link (CC) to the screw collar loop (E) at the bottom of threaded rod (C) on mounting strap (A)--leave this connecting chain link (CC) open for now.

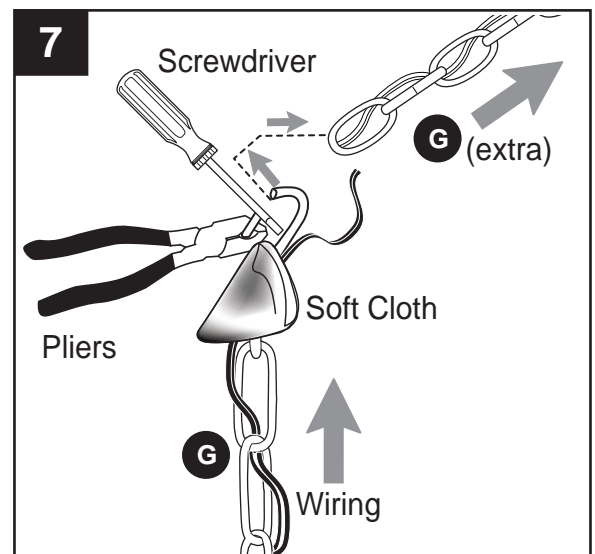


Hardware Used



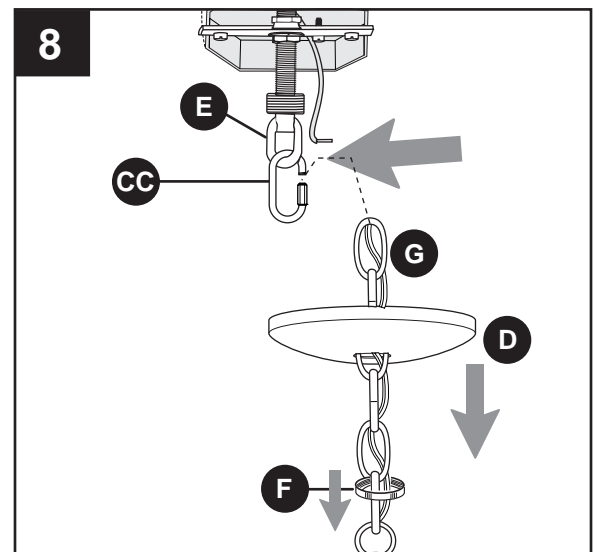
7. Determine the hanging length for fixture (J). **If you will be using the chain as is, please skip to the next paragraph in this step. If you wish to shorten chain**, use pliers, a flathead screwdriver and a soft cloth (none included) to open the link of chain (G) at length chosen. Remove any extra chain (G) at this time, including the link that was opened to shorten the chain.

Feed wiring from fixture (J) up through chain (G) to pre-determined length.



8. Feed chain (G) and wiring through threaded ring (F) and then canopy (D), allowing threaded ring (F) and canopy (D) to slide down chain (G) until they reach the top of the frame (I).

Lift chain (G) toward screw collar loop (E) and hang chain (G) on connecting chain link (CC). Close connecting chain link (CC).



ASSEMBLY INSTRUCTIONS

- 9a. Feed wiring through hole at bottom of threaded rod (C). Gently push wiring until it comes through top of threaded rod (C). Pull all wiring until there is no extra slack left in the wires running through the chain (G).

Prepare wire by stripping 1/2 in. of insulation from wire ends using wire strippers (not included).

- 9b. Connect SMOOTH wire from fixture (J) to BLACK wire from outlet box using existing wire connector or wire connector (AA). Connect RIBBED wire from fixture (J) to WHITE wire from outlet box using existing wire connector or wire connector (AA). Attach BARE/GREEN ground wire from outlet box to bare wire from fixture (J).

NOTE: If the outlet box wiring does not have a GREEN/GROUND wire, the BARE wire from the fixture (J) should be attached to the GREEN SCREW (labeled GND) on the mounting strap (A).

NOTE: Screw wire connectors (AA) on in a clockwise direction.

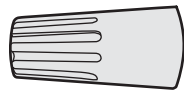
⚠ WARNING: Never connect ground wire to WHITE or BLACK power supply wires.

⚠ WARNING: To reduce the risk of fire, electrical shock or personal injury, wire connectors (AA) provided with this light fixture are designed to accept only one 12-gauge house wire and two lead wires from the light fixture. If your house wire is larger than 12-gauge or there is more than one house wire to connect to the corresponding fixture lead wires, consult an electrician for the proper size wire connectors to use.

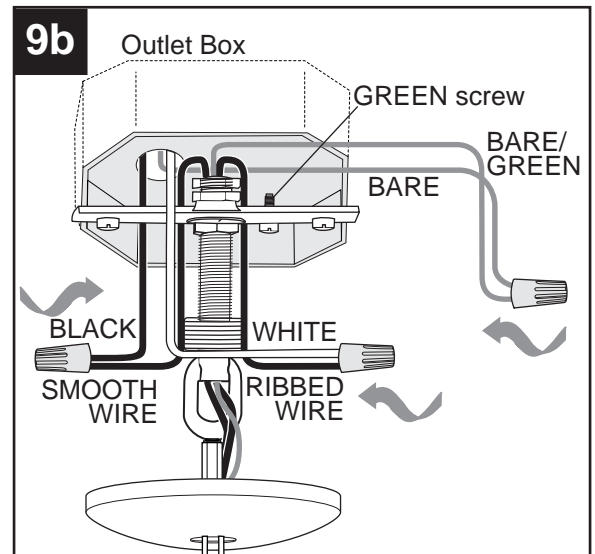
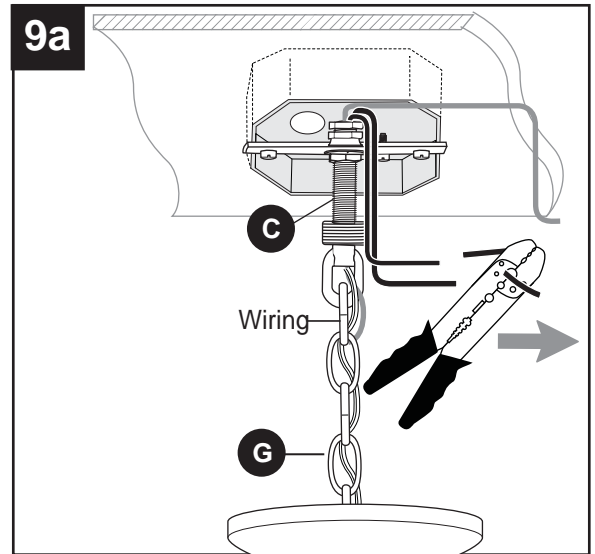
Hardware Used

AA

Wire Connector



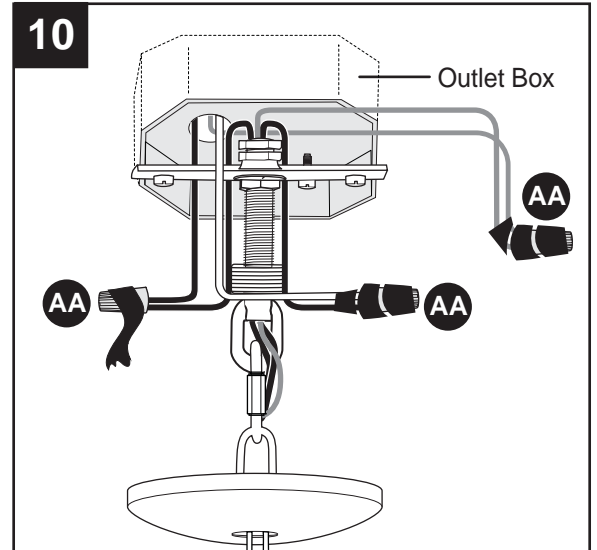
x 3



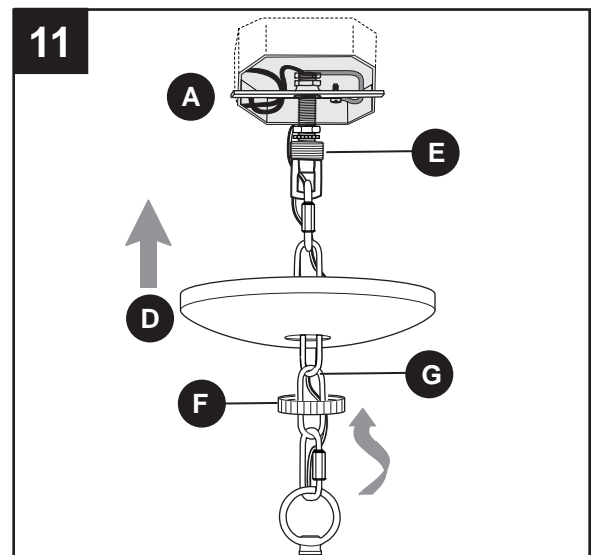
ASSEMBLY INSTRUCTIONS

10. Wrap electrical tape (not included) around each individual wire connector (AA) down to the wire. Push wire connectors (AA) gently back into outlet box. Carefully push excess wiring into outlet box.

⚠ WARNING: Make sure no bare wire or wire strands are visible after making connections.



11. Slide canopy (D) and threaded ring (F) up the chain (G). Secure canopy (D) to mounting strap (A) by tightening the threaded ring (F) to screw collar loop (E).



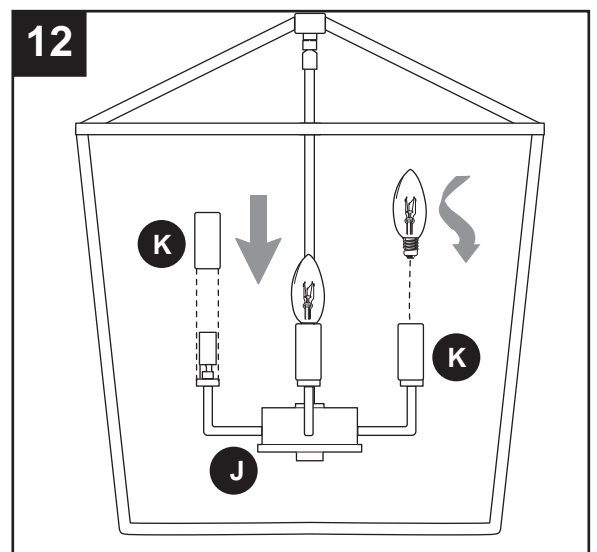
12. Install one socket cover (K) over each socket on fixture (J).

Install 4 candelabra-base 40-watt max. incandescent bulbs (not included) or CFL/LED equivalent.

IMPORTANT: When replacing bulb(s), please allow bulb(s) to cool down before touching.

Restore power and test fixture (J).


If lights do not function, please refer to TROUBLESHOOTING on the following page.



CARE AND MAINTENANCE

- Shut off main power supply. Wipe with soft cloth or use window cleaner. Do not use an abrasive cleaner.

TROUBLESHOOTING

 **WARNING:** Before beginning work, shut off the power supply to avoid electrical shock.

PROBLEM	POSSIBLE CAUSE	CORRECTIVE ACTION
Bulb(s) will not light.	<ol style="list-style-type: none">1. Bulb(s) is/are burned out.2. Power is OFF.3. Faulty connection.	<ol style="list-style-type: none">1. Replace light bulb(s).2. Make sure power supply is ON.3. Check wiring and all connections.
Fuse blows out or circuit breaker trips.	<ol style="list-style-type: none">1. Crossed wires.2. Power wire is grounding out.	<ol style="list-style-type: none">1. Check wiring.2. Check all connections.

WARRANTY

The distributor warrants all of its lighting fixtures against defects in materials and workmanship for one (1) year from the date of purchase. If within this period the product is found to be defective, take a copy of the bill of sale as a proof of purchase and the product in its original carton to the place of purchase. The distributor will, at its option, repair, replace or refund the purchase price to the consumer. All costs of installation and removal of the fixture is the responsibility of the consumer. This warranty does not cover fixtures becoming defective due to misuse, accidental damage or improper handling and/or installation and specifically excludes liability for direct, incidental or consequential damages. As some states do not allow exclusions of limitations on an implied warranty, the above exclusion and limitation may not apply. This warranty gives you specific rights and you may also have other rights which may vary from state to state.