



TRUCK AND VAN EQUIPMENT

INSTRUCTION AND REPAIR PARTS MANUAL

MODEL 2503 EZ-GLIDE™ SYSTEM
TWO VELCRO STRAPS

-ATTENTION-

Read and understand all instructions and warnings before operating or using this product.

⚠ WARNING

This product is only intended and only safe for transporting ladders. It is the responsibility of the user to secure these materials to the rack before transporting.

Ladders must be secured per ANSI standard A142.2-1990 paragraph 8.4.4. Ladder damage will occur from road shock and vehicle vibration if the ladder is not properly secured to the ladder rack. Bouncing and side to side motion of an improperly secured ladder will cause wear and weaken the ladder. Using a damaged ladder could lead to structural collapse resulting in serious injury or death. Place ladder in a raised position before transporting. Driving with rack in lowered position may cause serious injury or damage to vehicle, ladder, rack or persons.

-NOTICE-

Any modification or unintended use of this product shall immediately void all manufacturers warranties. Manufacturer disclaims all liability for injuries to persons or property resulting from any modification to, or unintended use of this product.

⚠ CAUTION

Never load your rack to exceed the safe capacity of your vehicle. Heavy loads when carried high can dangerously alter the center of gravity.

Loads should be approximately centered front to rear. Failure to do this will cause damage to the vehicle roof. Long loads that extend out the rear of the vehicle will prevent the rear hatch from fully opening and cause damage if attempted.

ASSEMBLY INSTRUCTIONS

Approximate assembly and Installation time:
10 min. depending on van equipment and installer experience.

IMPORTANT BEFORE YOU BEGIN

Read these instructions and warnings completely before installation.

TOOLS REQUIRED

- 7/16" Open or Box End Wrench
- 3/8" Drive Socket (7/16")
- 3/8" Drive Ratchet

PARTS LIST

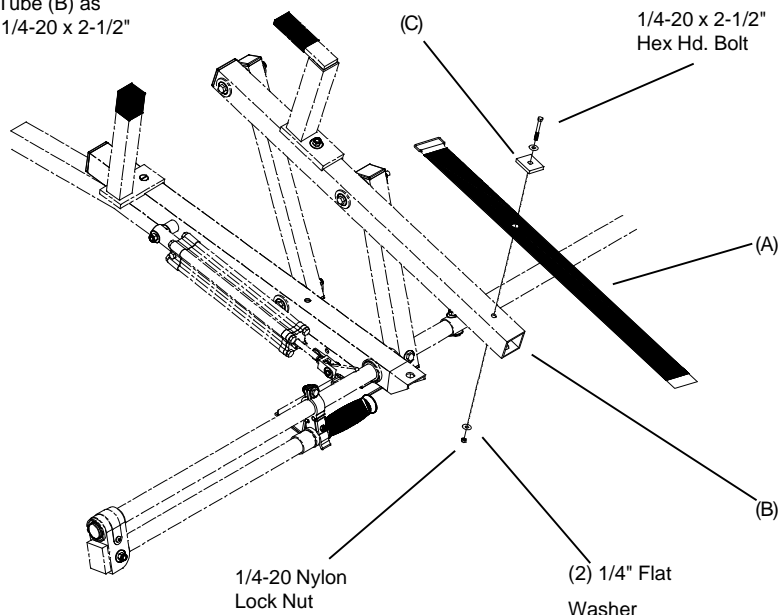
See Below

- 2 Straps
- 2 1/4-20 x 2-1/2" Hex Hd. Bolts
- 2 14-20 Nylon Lock Nuts
- 4 1/4" Flat Washer
- 2 Strap Plate

STEP 1

Attach Strap (A) to Connecting Tube (B) as shown with Strap Plate (C) and 1/4-20 x 2-1/2" Fastener.

NOTE: Velcro hooks on the end of the strap are down.



REPLACEMENT PARTS

NO REPLACEMENT PARTS AVAILABLE FOR THIS MODEL

LIMITED WARRANTY

This LIMITED WARRANTY is made by Knaack LLC, 420 E. Terra Cotta Ave., Crystal Lake, Illinois to the original retail purchaser of KNAACK® or WEATHER GUARD® products.

KNAACK LLC WARRANTS THAT KNAACK OR WEATHER GUARD PRODUCTS WILL BE FREE FROM DEFECTS IN MATERIAL AND WORKMANSHIP FOR A PERIOD OF TWO (2) YEARS FROM DATE OF PURCHASE BY THE ORIGINAL RETAIL PURCHASER.

If, before the expiration of the Warranty period, purchaser discovers that the KNAACK or WEATHER GUARD product fails to fulfill the Warranty, purchaser shall contact Knaack LLC to make arrangements for an inspection of the product. If Knaack LLC determines a defect exists, Knaack LLC shall, at its option and expense, repair or replace any defective part. All Warranty repairs shall be made by an authorized KNAACK Product dealer or Knaack LLC approved service company.

This Warranty shall not apply if the KNAACK or WEATHER GUARD product has been subjected to misuse, abnormal service or handling, improper maintenance, or alterations made by anyone other than a KNAACK or WEATHER GUARD Product dealer or a Knaack LLC approved service company.

THE WARRANTY PRINTED ABOVE IS THE ONLY WARRANTY APPLICABLE TO THIS PURCHASE. ALL OTHER WARRANTIES, EXPRESS OR IMPLIED, INCLUDING BUT NOT LIMITED TO THE IMPLIED WARRANTIES OF MERCHANTABILITY AND FITNESS FOR A PARTICULAR PURPOSE ARE HEREBY DISCLAIMED. KNAACK LLC SHALL NOT BE LIABLE FOR ANY INCIDENTAL OR CONSEQUENTIAL DAMAGES ARISING OUT OF ANY BREACH OF THIS WARRANTY. NOR SHALL THE DAMAGES EXCEED THE RETURN AMOUNT OF THE PURCHASE PRICE PAID BY THE ORIGINAL PURCHASER.

This Warranty is in lieu of all Warranties express or implied. The terms of this Warranty shall not be modified by any party, their successors or assigns. This Warranty gives you specific legal rights, and you may also have other rights which vary from state to state.

Product fits based on vehicle design available at the revision date. Vehicle manufacturers may change specs after the revision date, so if you have a vehicle produced with a model year date after the revision date, please contact your distributor or Knaack LLC to verify fitting of product to vehicle.

If you have any questions, please call our customer service department at 1-800-456-7865. WEATHER GUARD Products are protected by one or more of the following patents: U.S. 5145087, 5308126, 4509787, 4573731, 4618083, D-346355, D-346994, D-353574; Canada 1218968, 1224230, 1235100 and; U.K. 2233036. Other patents pending.

KNAACK LLC

420 E. Terra Cotta Ave, Crystal Lake, IL 60014, 815-459-6020,
info@knaack.com ©2002 Knaack LLC

