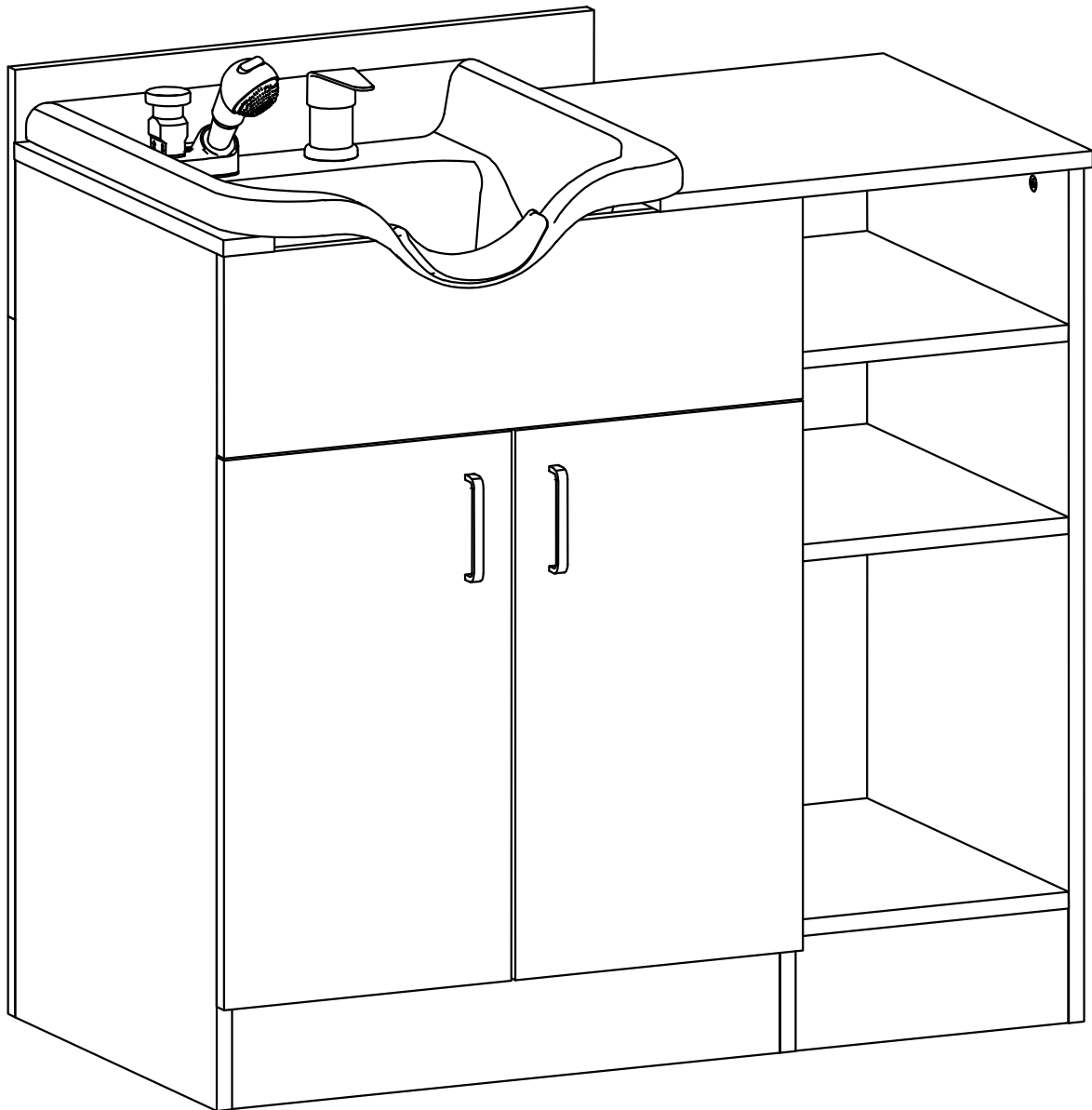
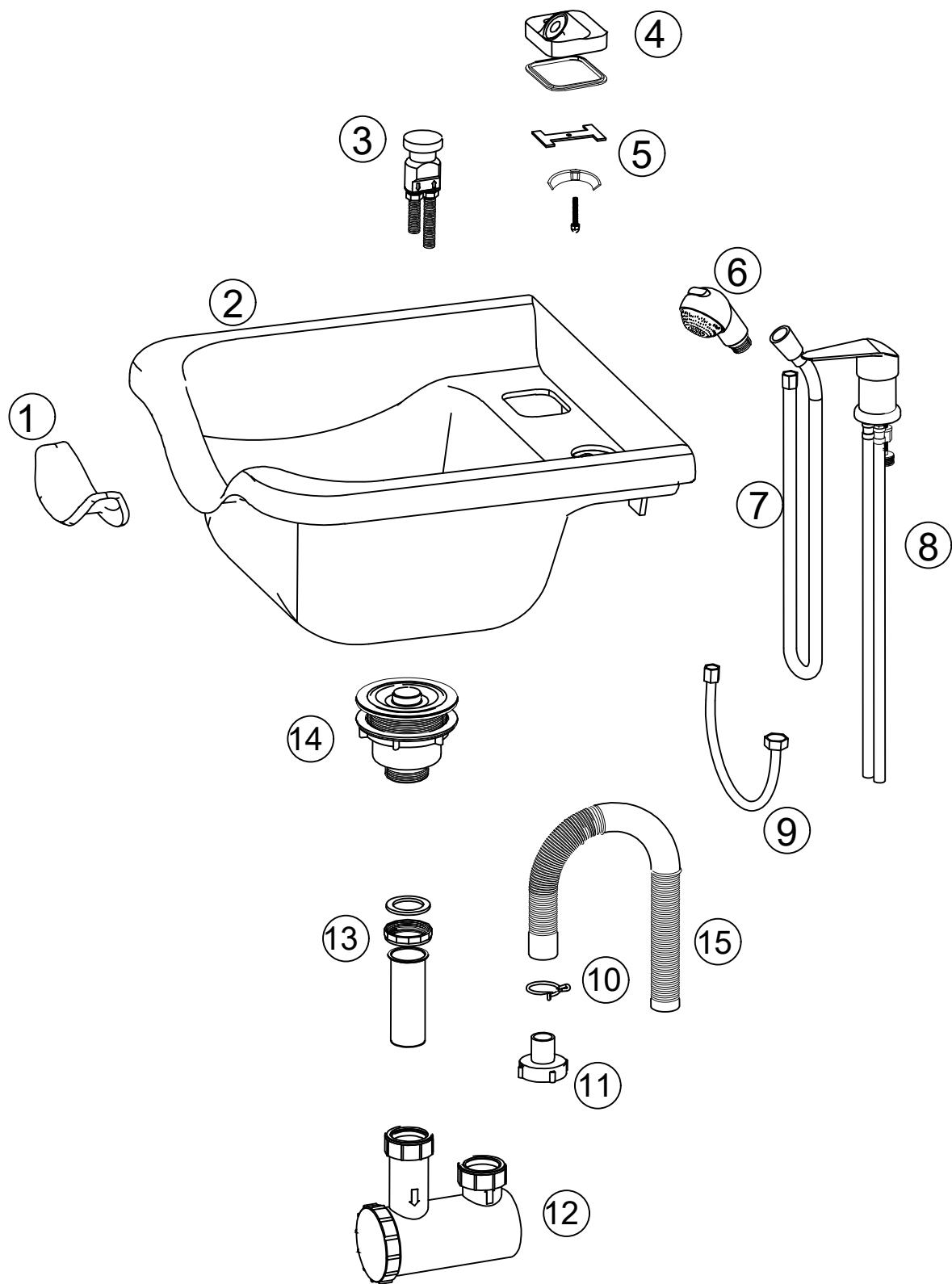


Shampoo Cabinet

OWNER'S MANUAL



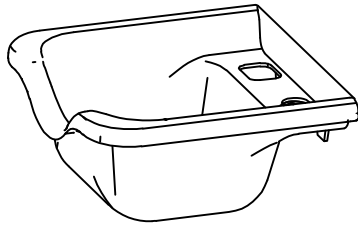
CAUTION! Please read through this manual before assembling installing or using the product to ensure safe and correct use.



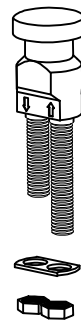
1



2



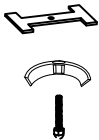
3



4



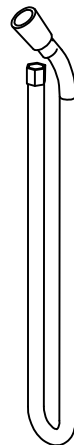
5



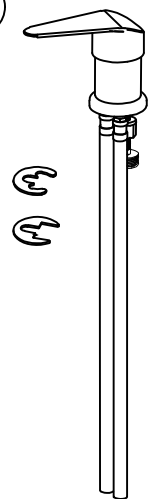
6



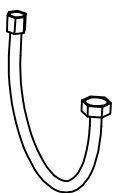
7



8



9



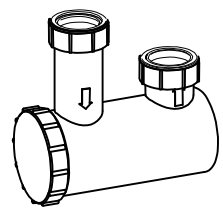
10



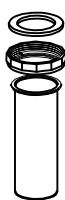
11



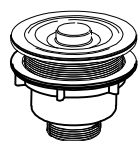
12



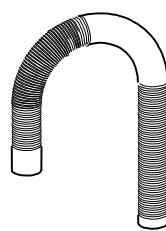
13



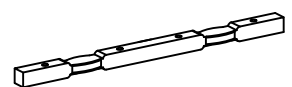
14



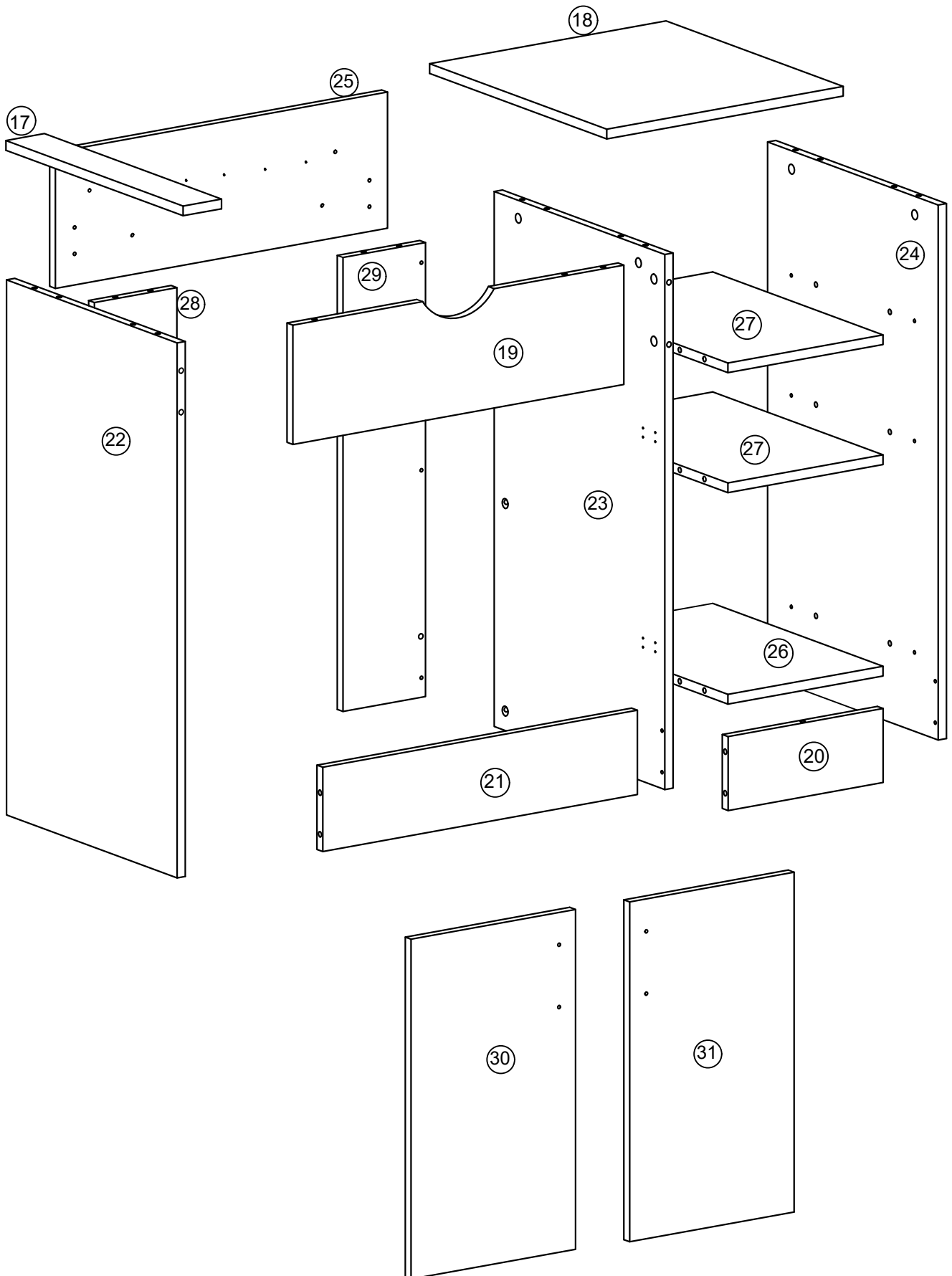
15



16



PARTS & FEATURES

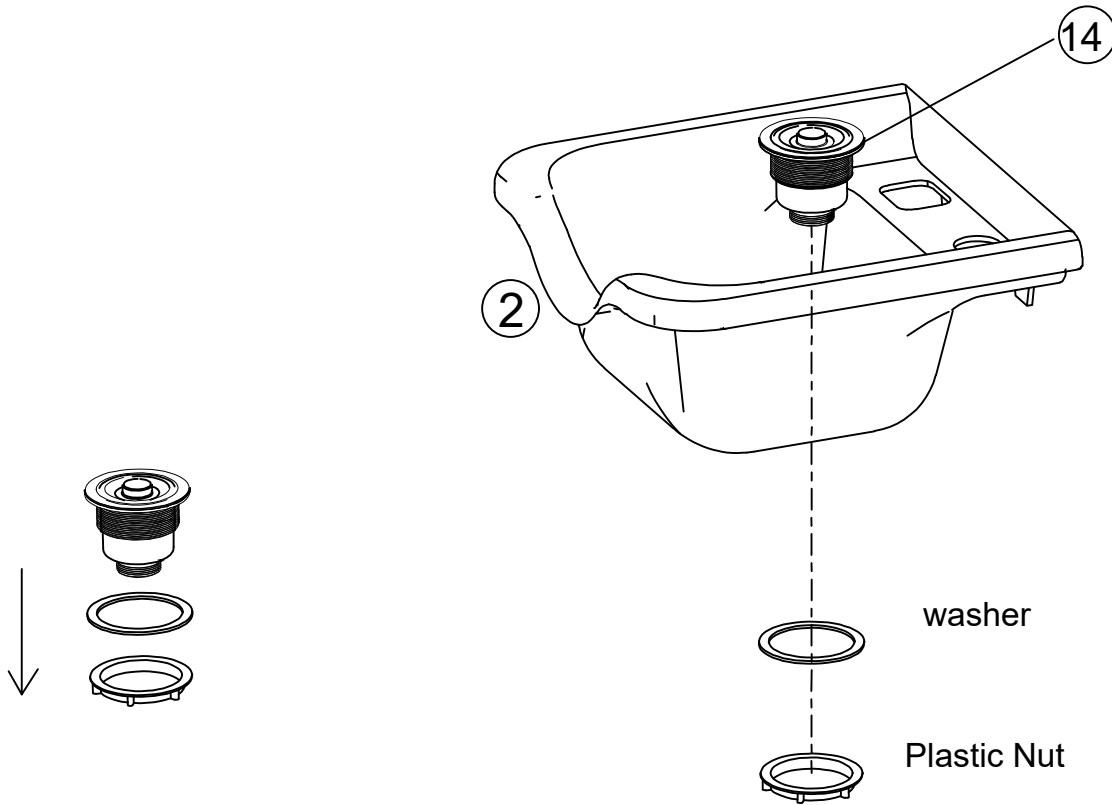


<p>(17) x1</p> <p>70x460x15mm</p>	<p>(18) x1</p> <p>460x430x15mm</p>	<p>(19) x1</p> <p>602x184x15mm</p>	<p>(20) x1</p> <p>282x115x15mm</p>
<p>(21) x1</p> <p>572x130x15mm</p>	<p>(22) x1</p> <p>825x443x15mm</p>	<p>(23) x1</p> <p>825x443x15mm</p>	<p>(24) x1</p> <p>825x443x15mm</p>
<p>(25) x1</p> <p>603x210x15mm</p>	<p>(26) x1</p> <p>442x282x15mm</p>	<p>(27) x2</p> <p>442x282x15mm</p>	<p>(28) x1</p> <p>700x150x15mm</p>
<p>(29) x1</p> <p>700x150x15mm</p>	<p>(30) x1</p> <p>524x299x15mm</p>	<p>(31) x1</p> <p>524x299x15mm</p>	

<p>A x 46</p> <p>Ø6x35</p>	<p>B x 46</p> <p>Ø15x10</p>	<p>C x 26</p> <p>Ø8x30</p>	<p>D x 4</p> <p>Ø4x35</p>	<p>E x 4</p> <p>Ø4x20</p>
<p>F x 24</p> <p>Ø3.5x14</p>	<p>G x 6</p>	<p>H x 1</p>	<p>I x 2</p>	<p>J x 2</p> <p>Ø6x60 mm</p>
<p>K x 2</p>	<p>L x 4</p>			

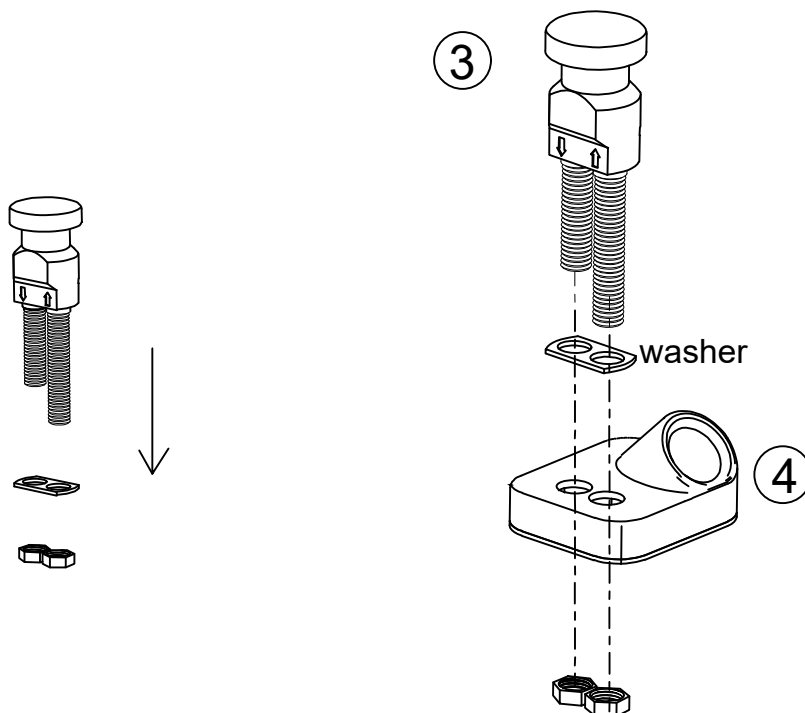
1: Funnel installation

First, remove one black gasket and plastic nuts and install the funnel



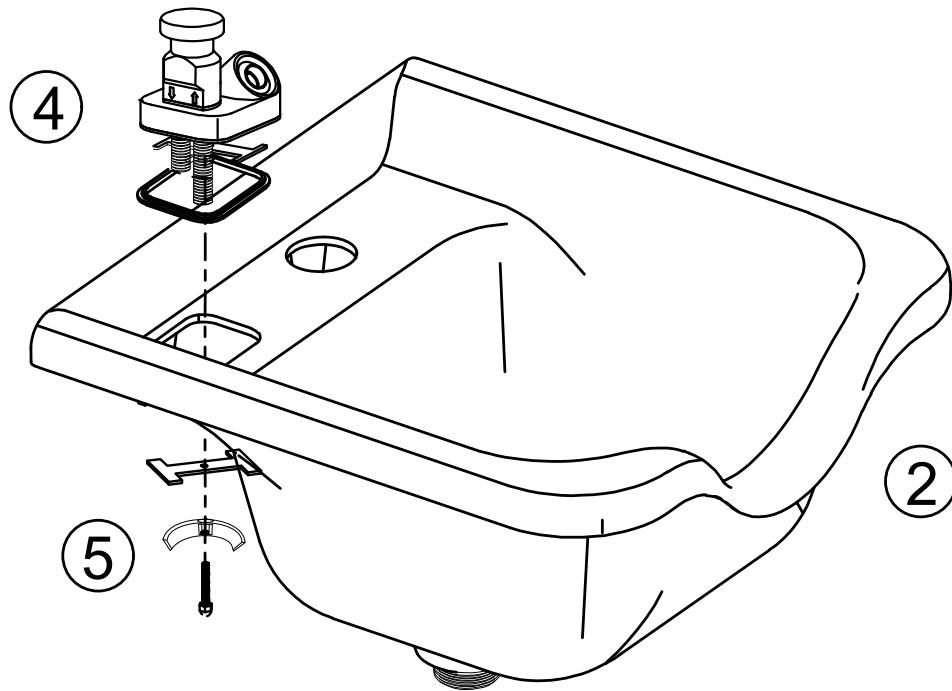
2: Install the Isolator to the Isolator base

Please follow up the diagram below



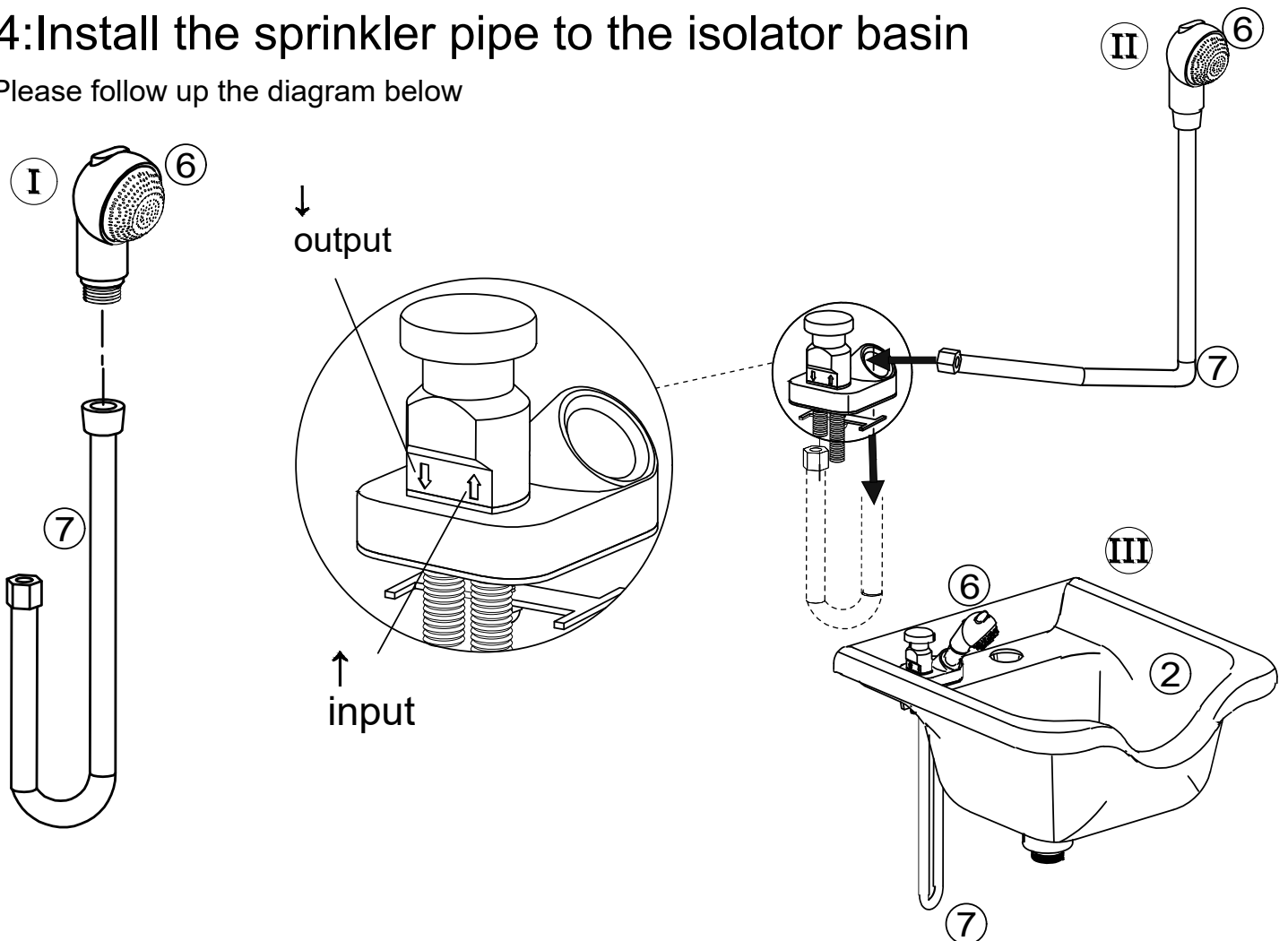
3: Install the isolator base to the basin

Install the isolator base to the basin with the larger plastic washer, fixing washer and locking screw.



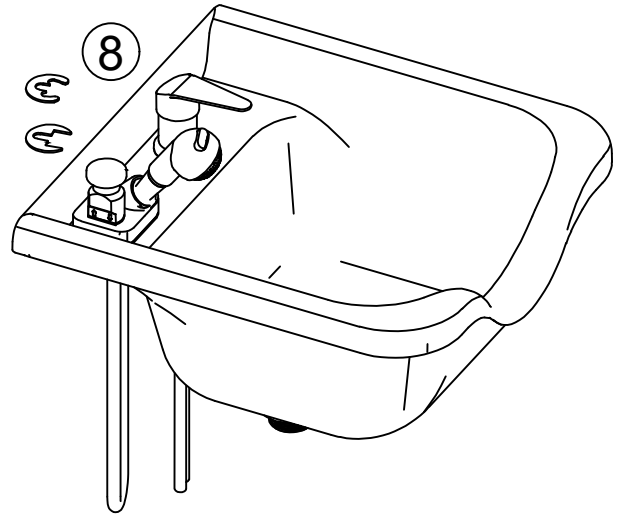
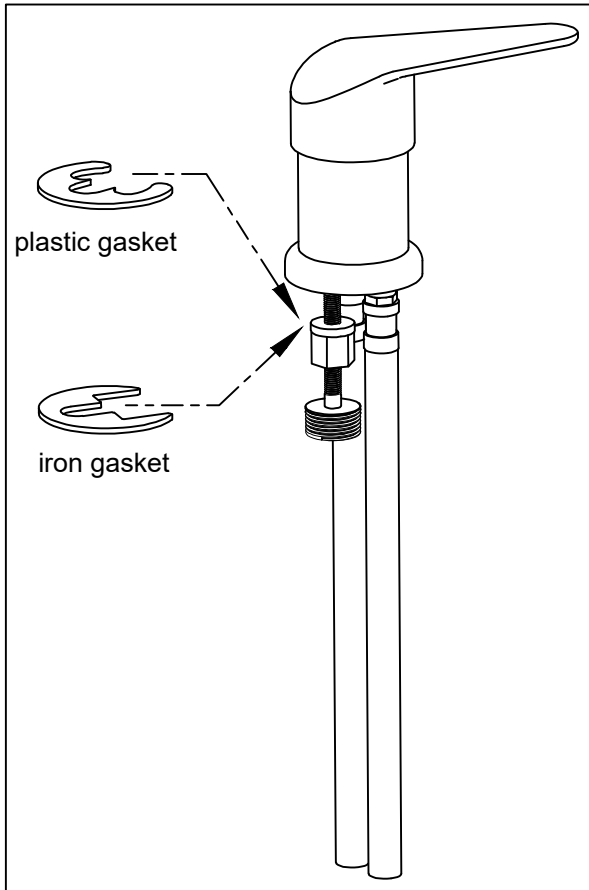
4: Install the sprinkler pipe to the isolator basin

Please follow up the diagram below



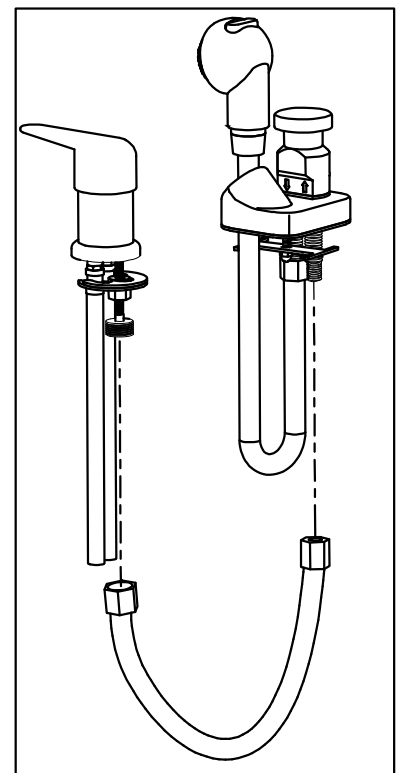
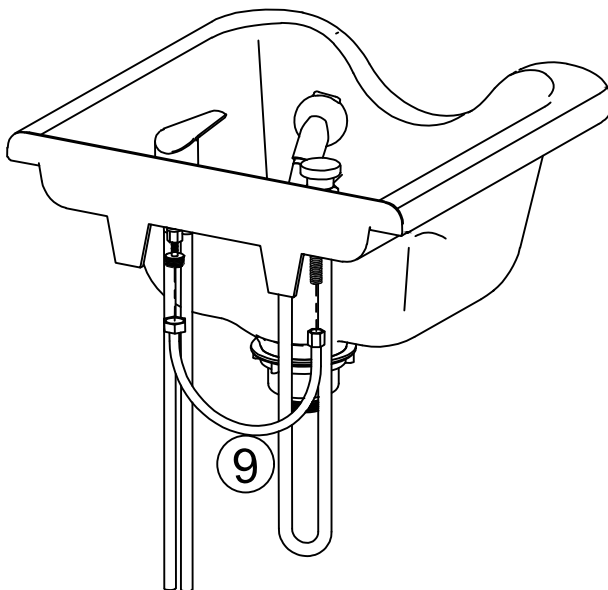
5: Install the Faucet to the basin

First, remove the gasket and plastic nuts and install the funnel



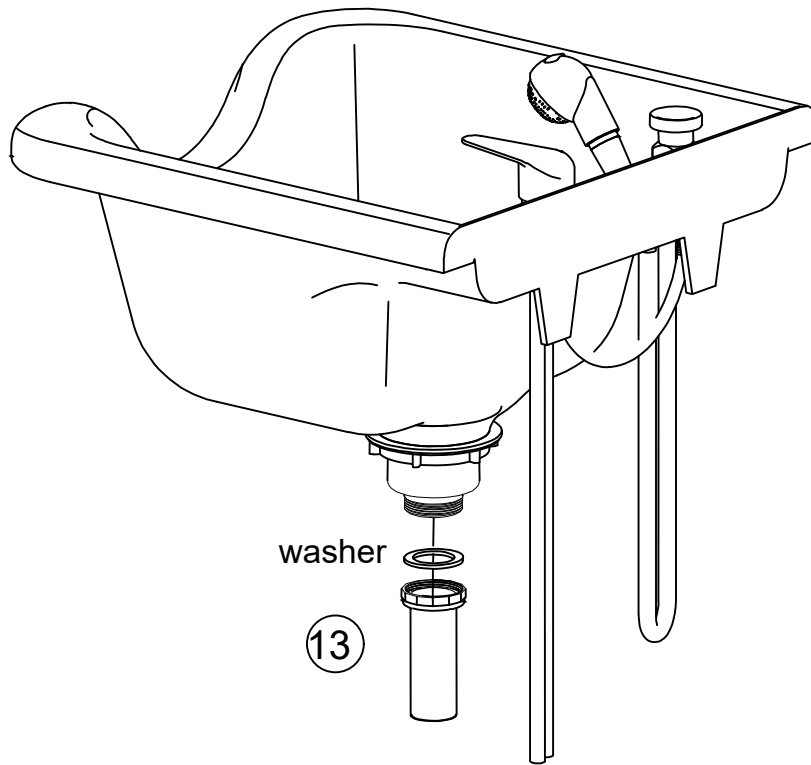
6: Install the Faucet pipe to the basin

Connect the faucet and isolator with the faucet pipe .



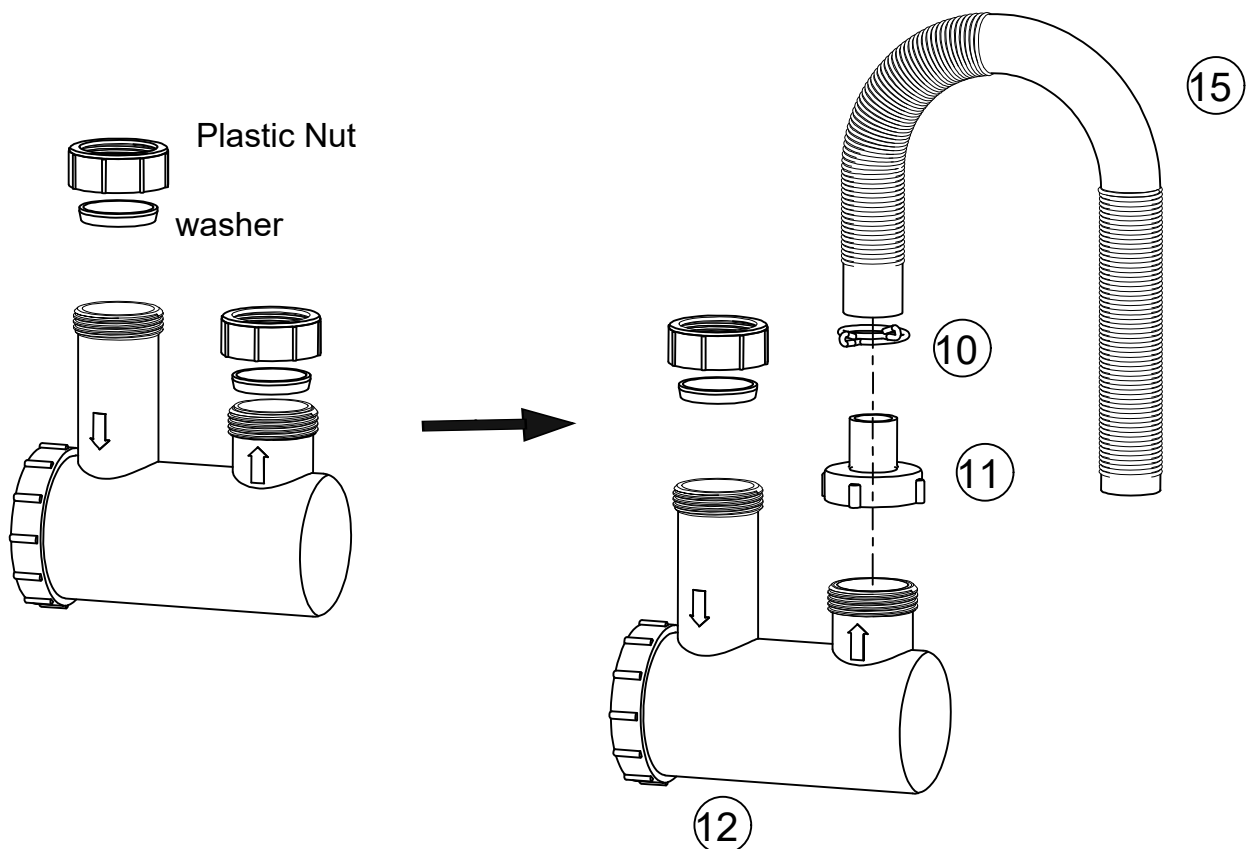
7: Install metal pipes

Please follow up the diagram below



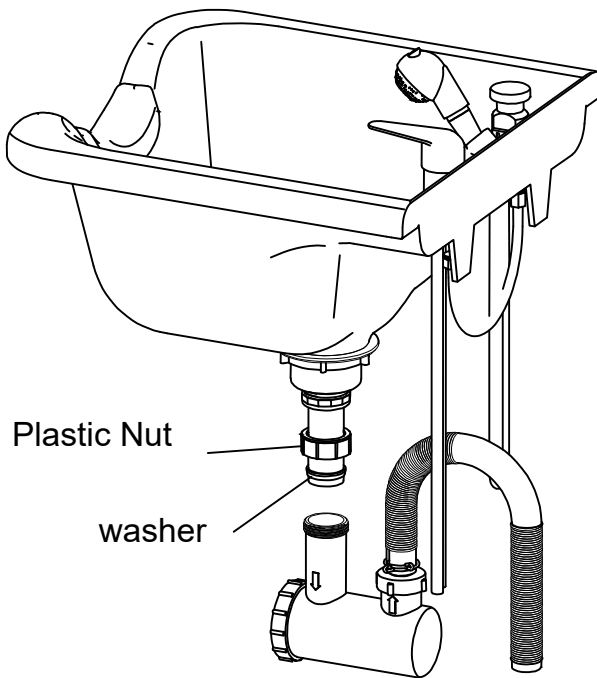
8: Install sewage pipes

Please follow up the diagram below

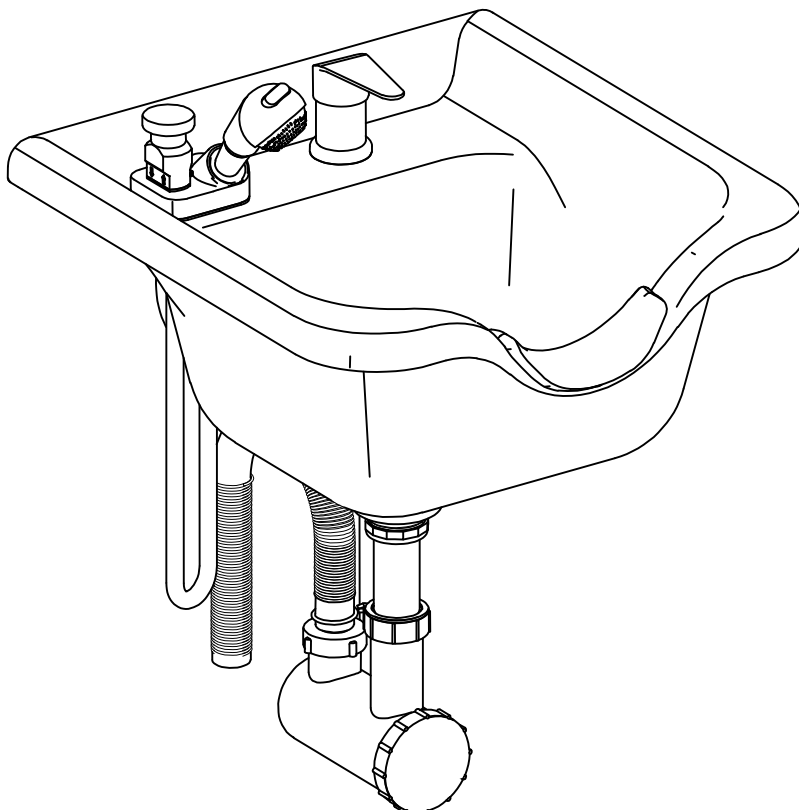


9:Hair divider installation

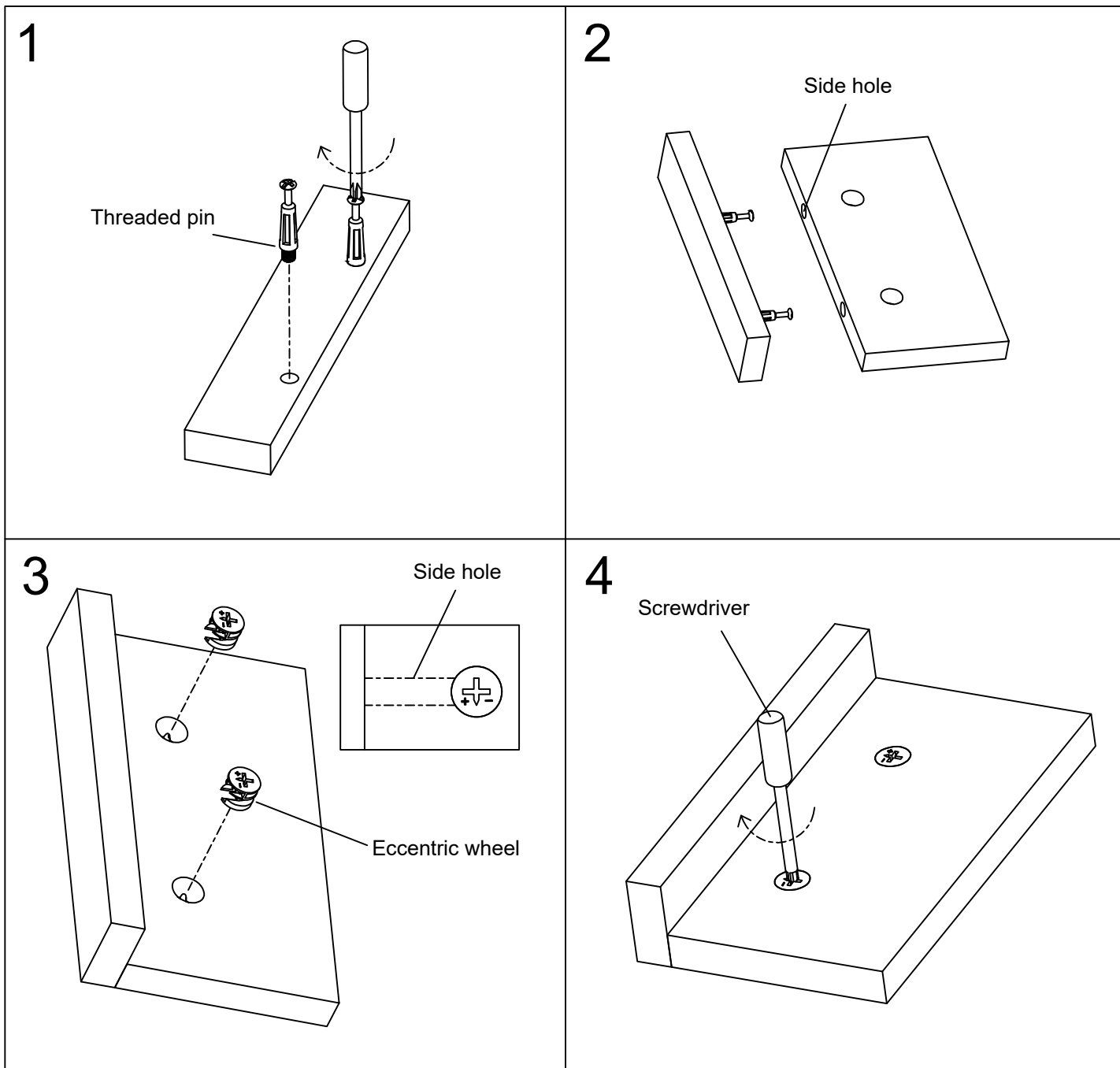
Install the isolator base to the basin with the larger plastic washer, fixing washer and locking screw.



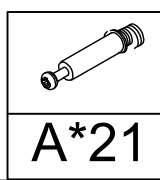
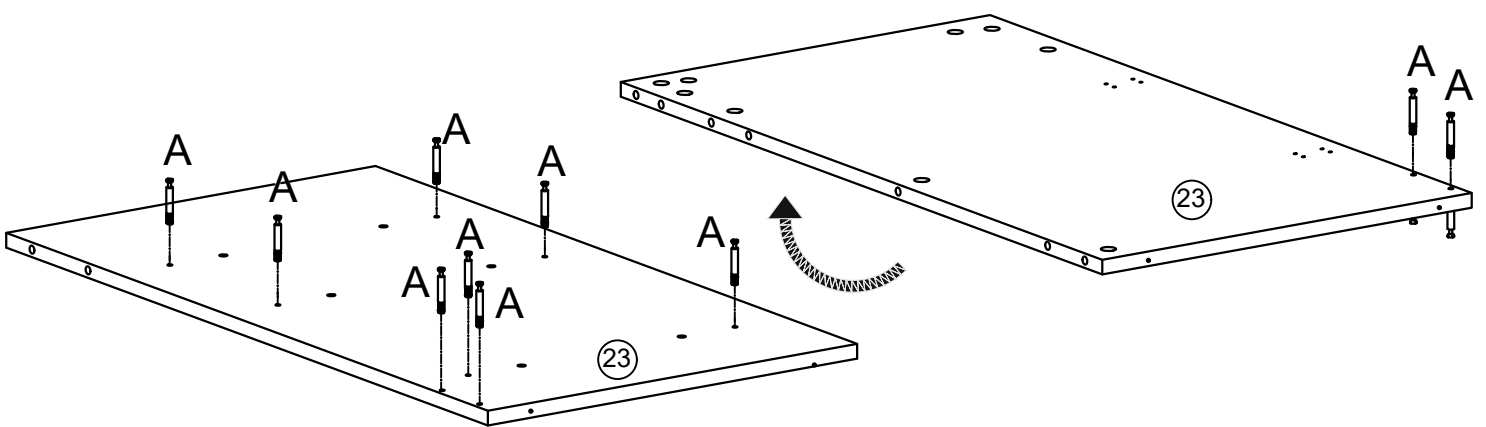
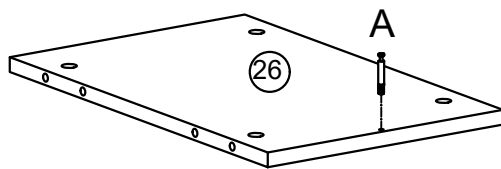
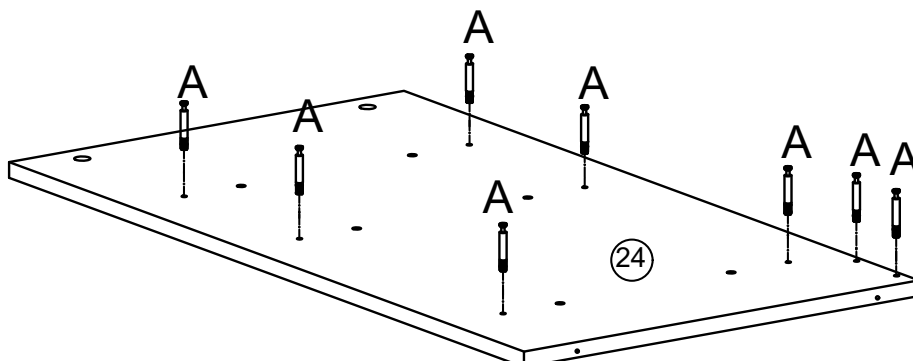
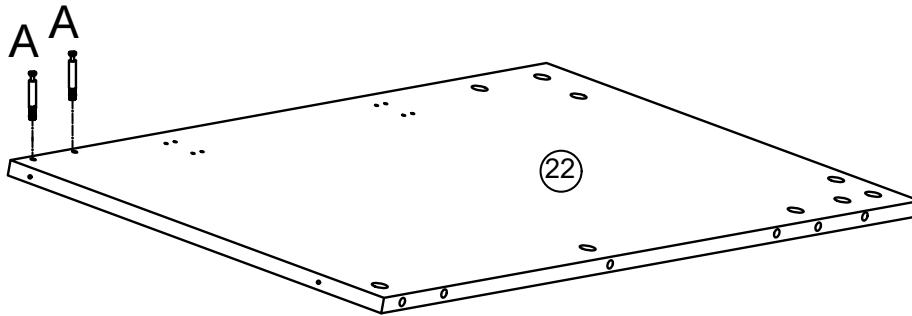
Basin installation completed



Installation Method For Connecting Boards

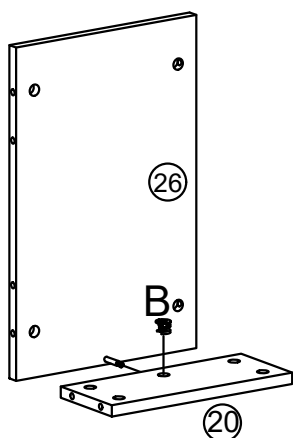


1: Install "A" to part 22,23,24,26
Pls follow the diagram below



2: Connect part 20 with part 26

Pls follow the diagram below

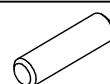
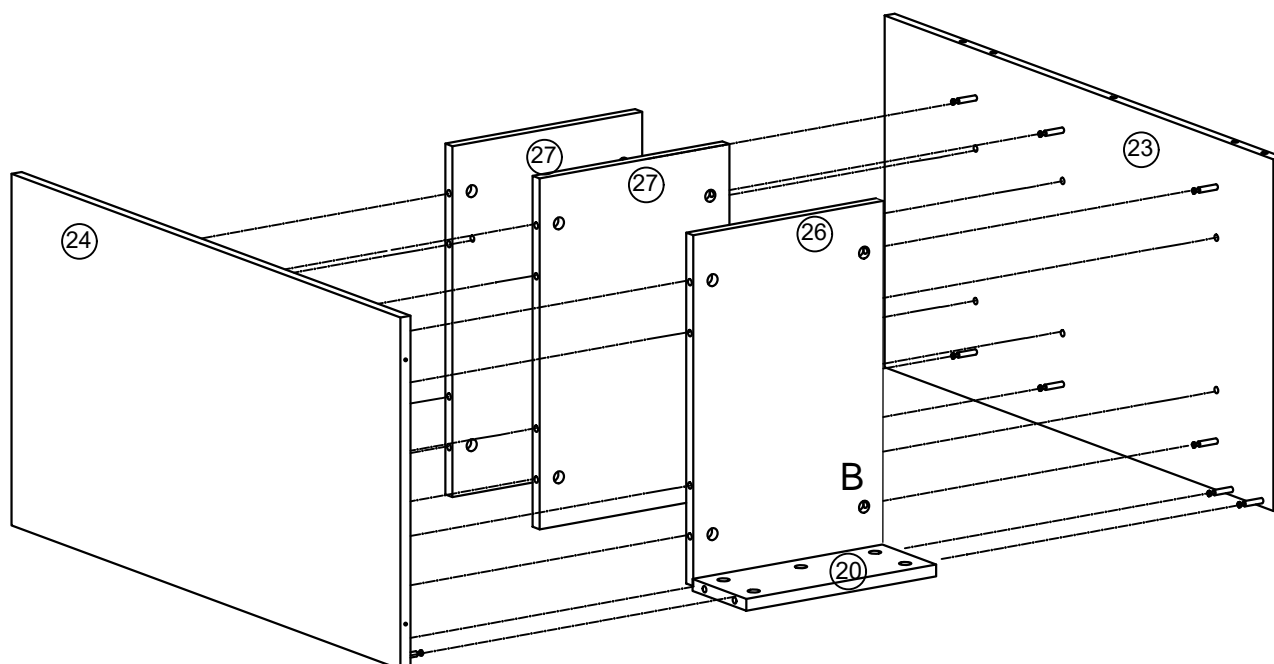
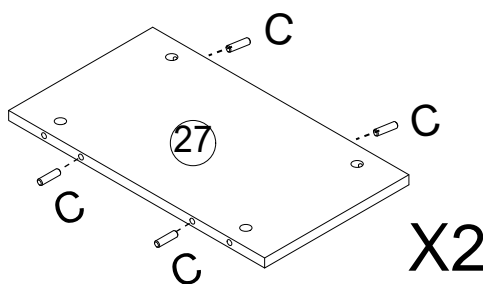
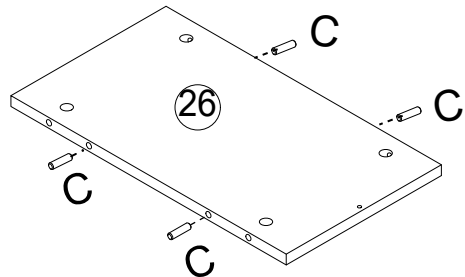


B*1

3: Put "C" in part 26,27

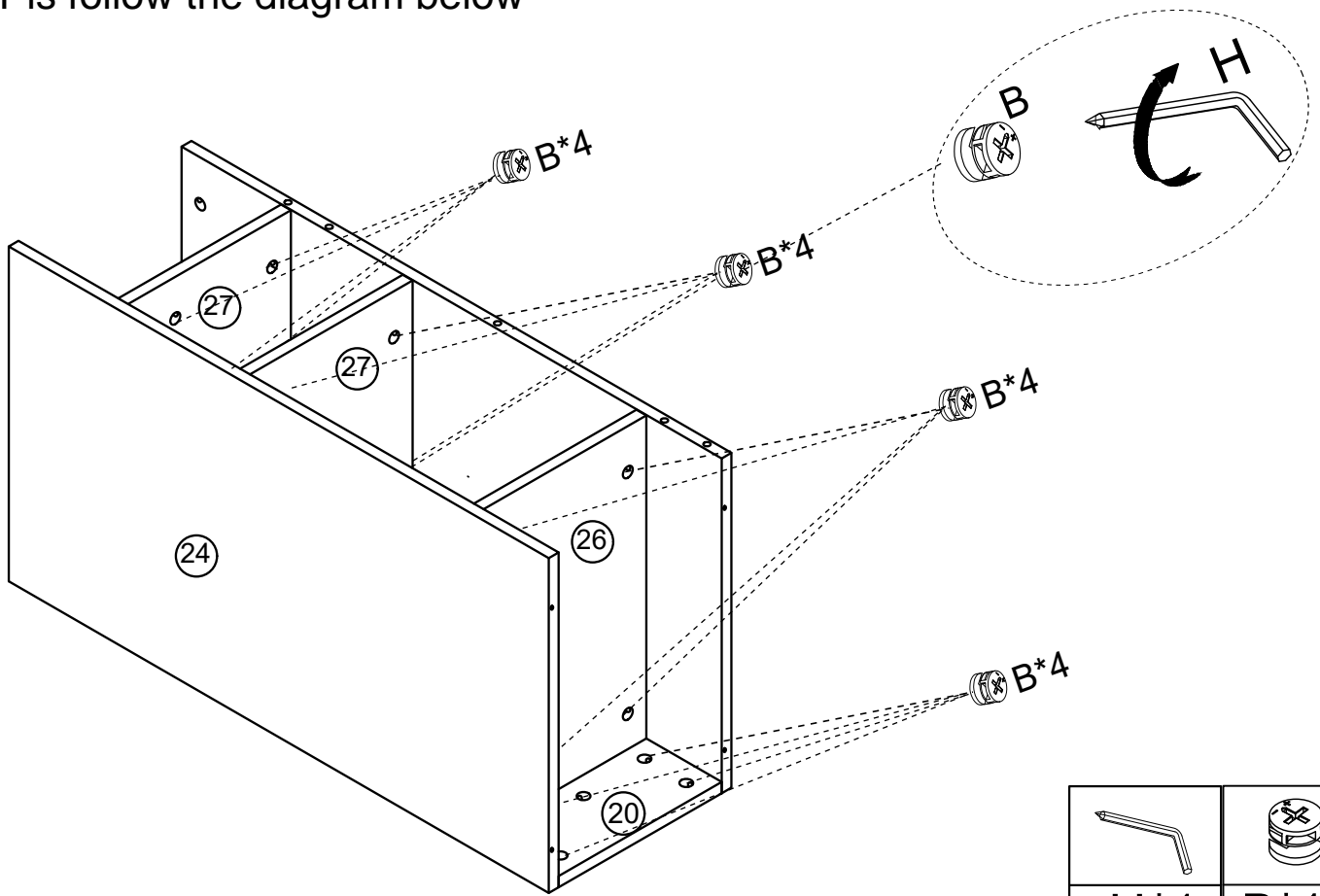
Connet part 23,24 with part 26,27

Pls follow the diagram below



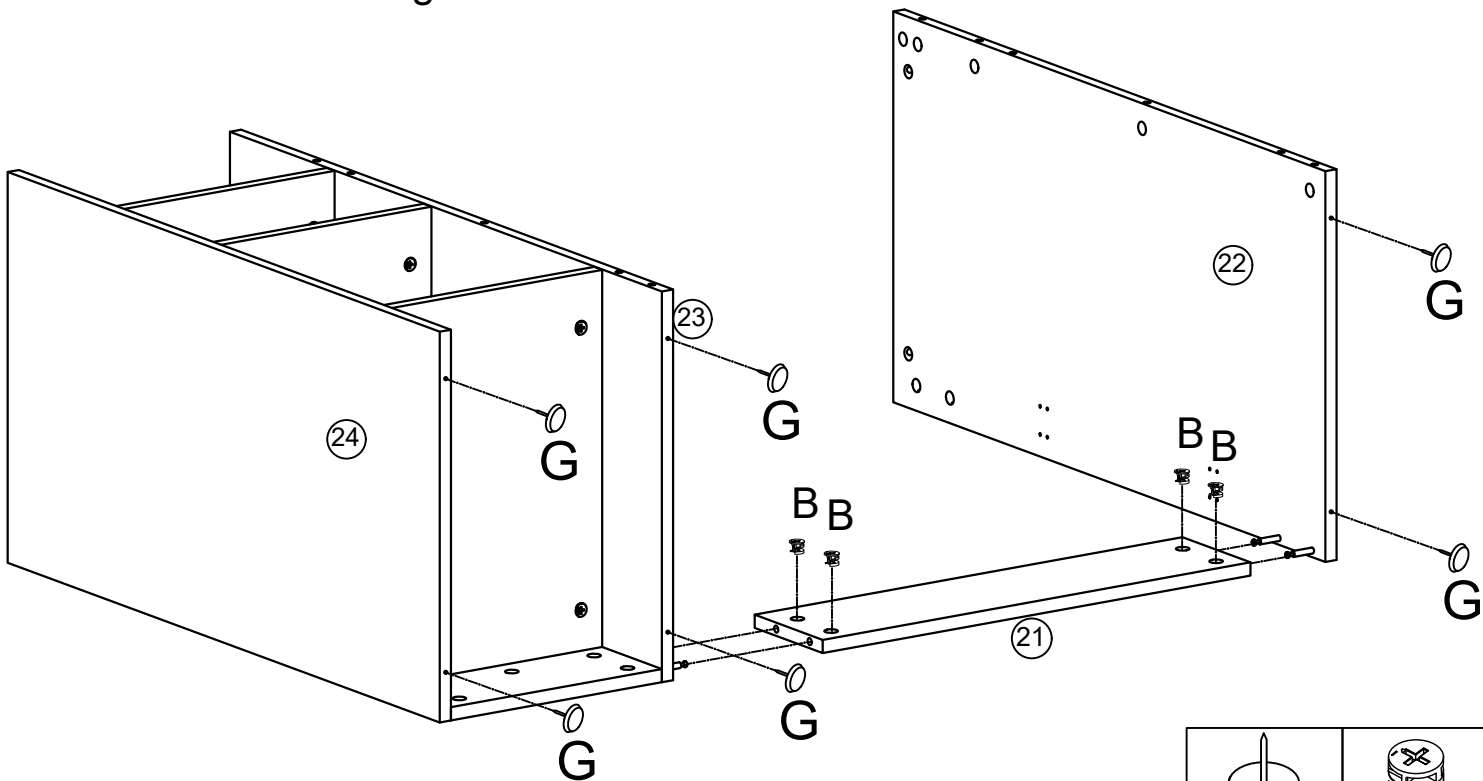
C*12

4: Fix "B" to part 20,26,27
 Pls follow the diagram below



H*1	B*16

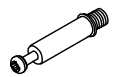
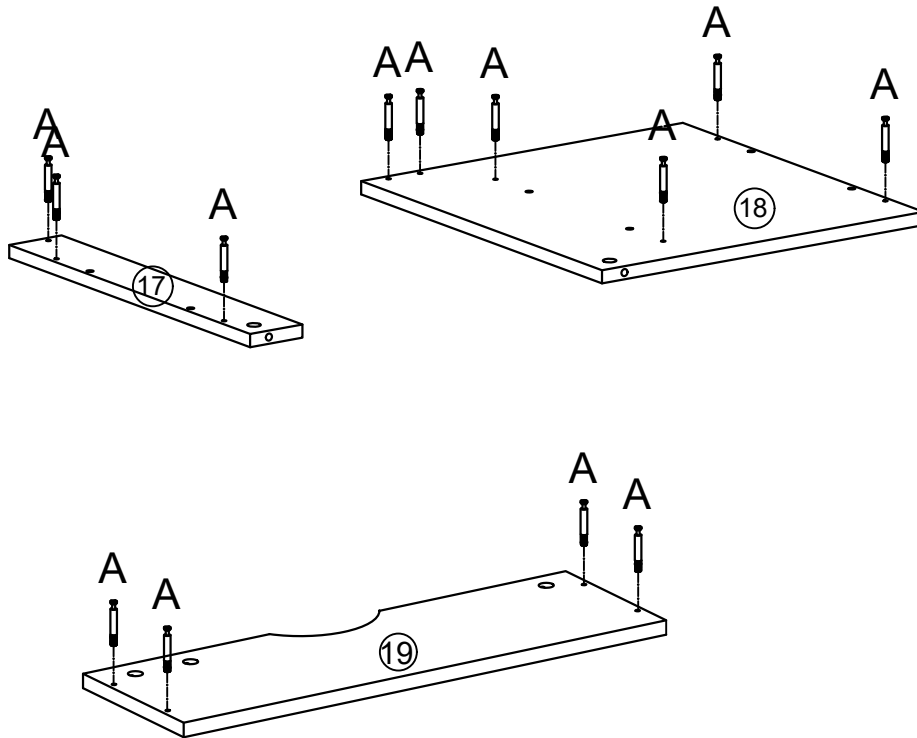
5: Install part 21 with part 23 and 22
 Fix "G" to part 22,23,24
 Pls follow the diagram below



G*6	B*4

6: Install "A" to part 18,17,19

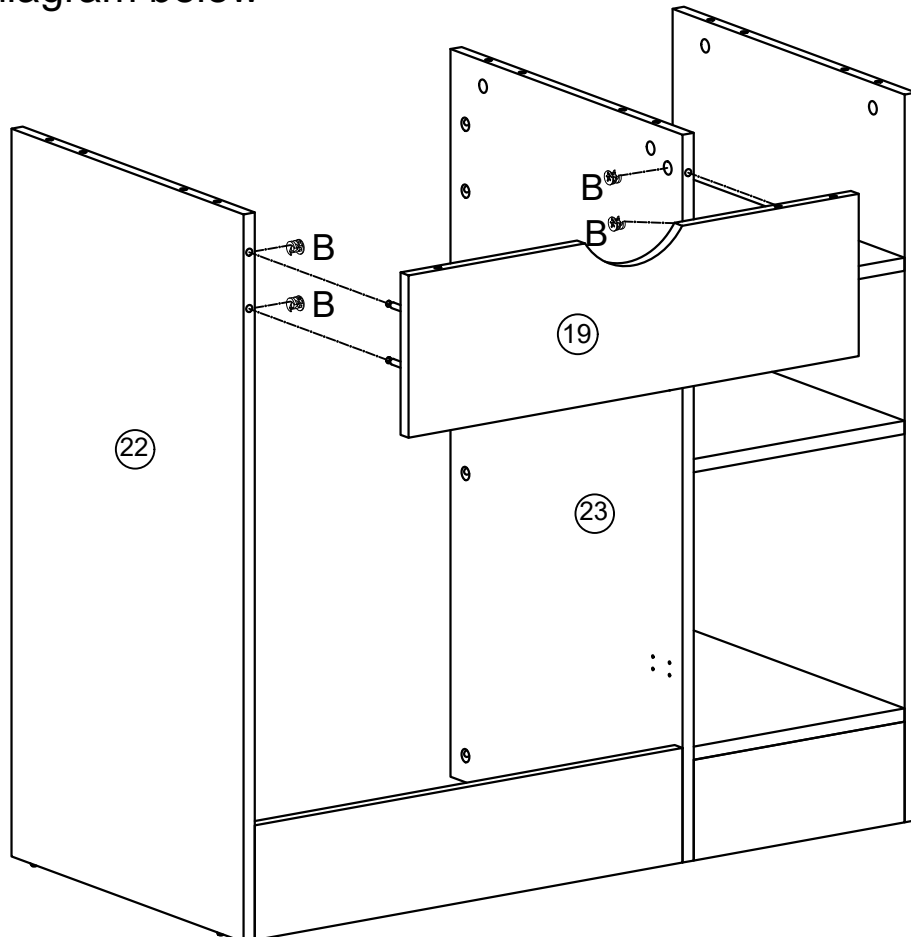
Pls follow the diagram below



A*13

7: Install part 19 with part 22 and 23

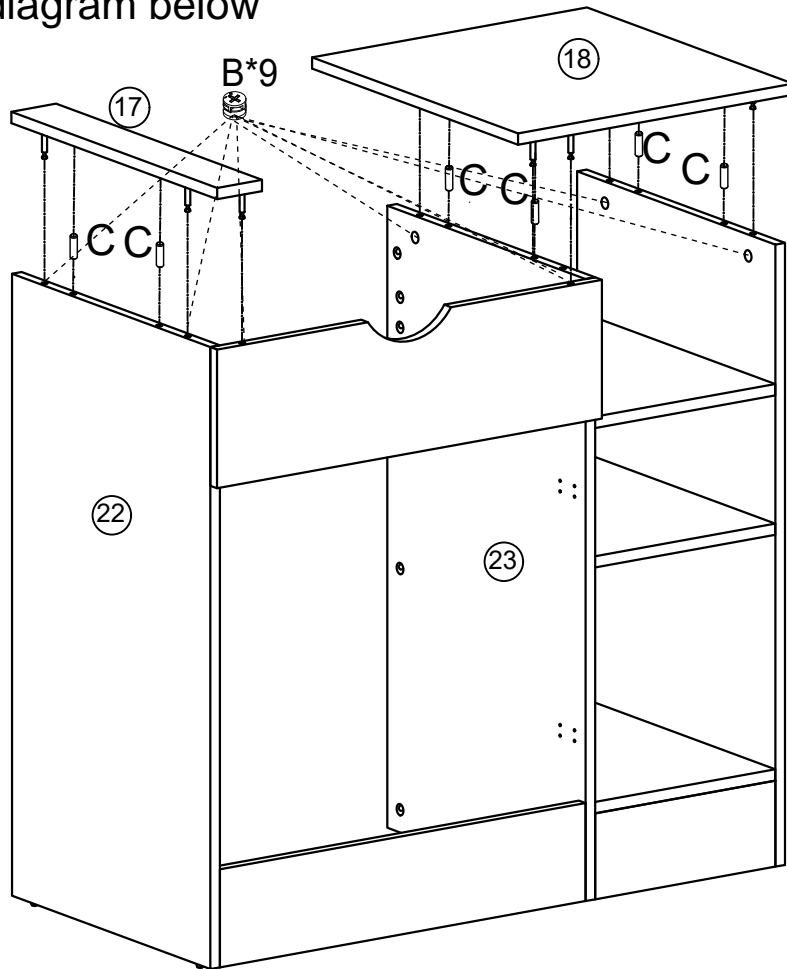
Pls follow the diagram below


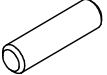


B*4

8: Install part 18 and 17

Pls follow the diagram below

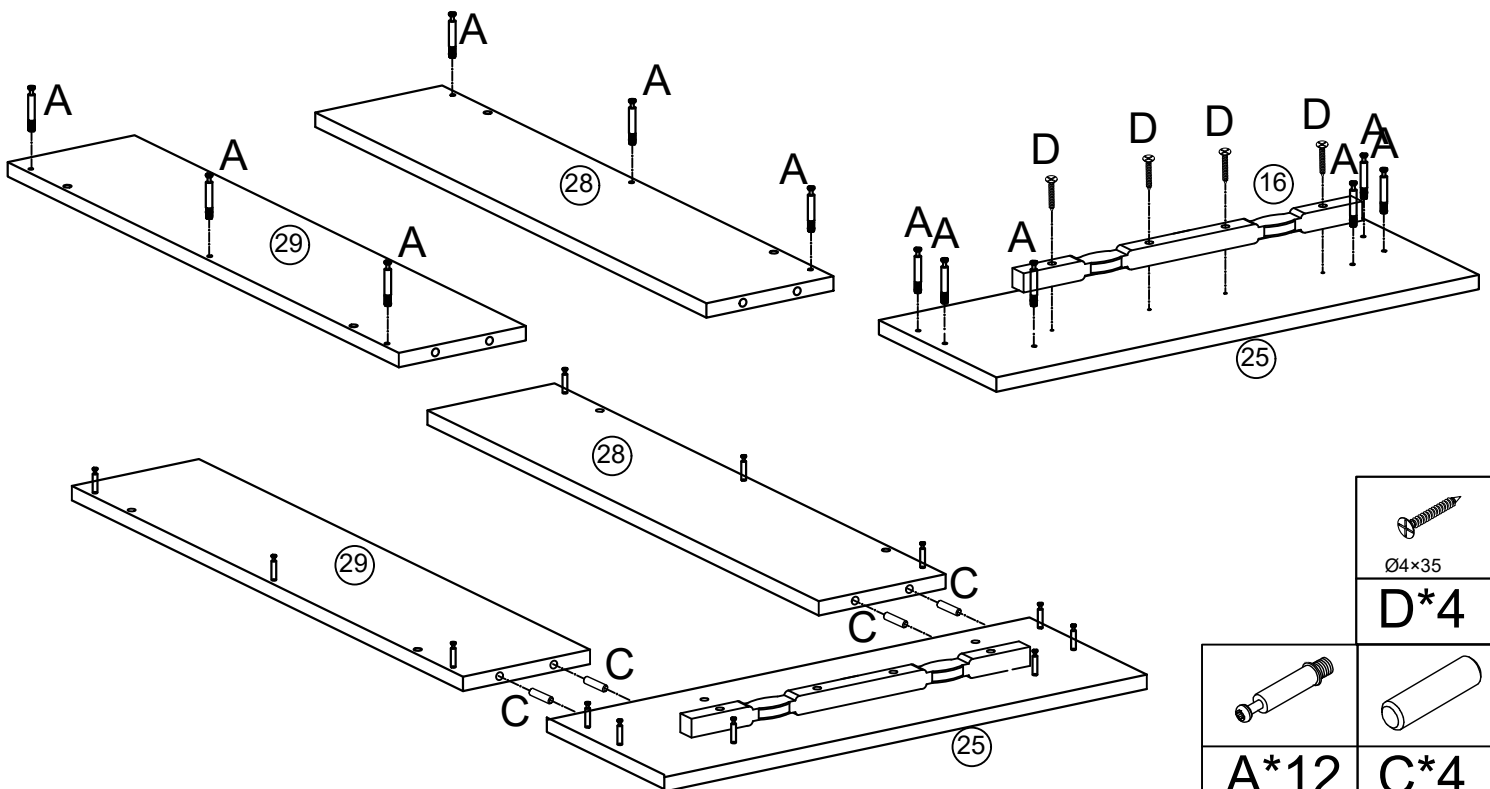



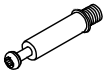
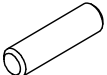
	
B*9	C*6

9: Install "A" to part 28,29,25

Fix part 16 to part 25
Connet part 25 with part 28 and 29

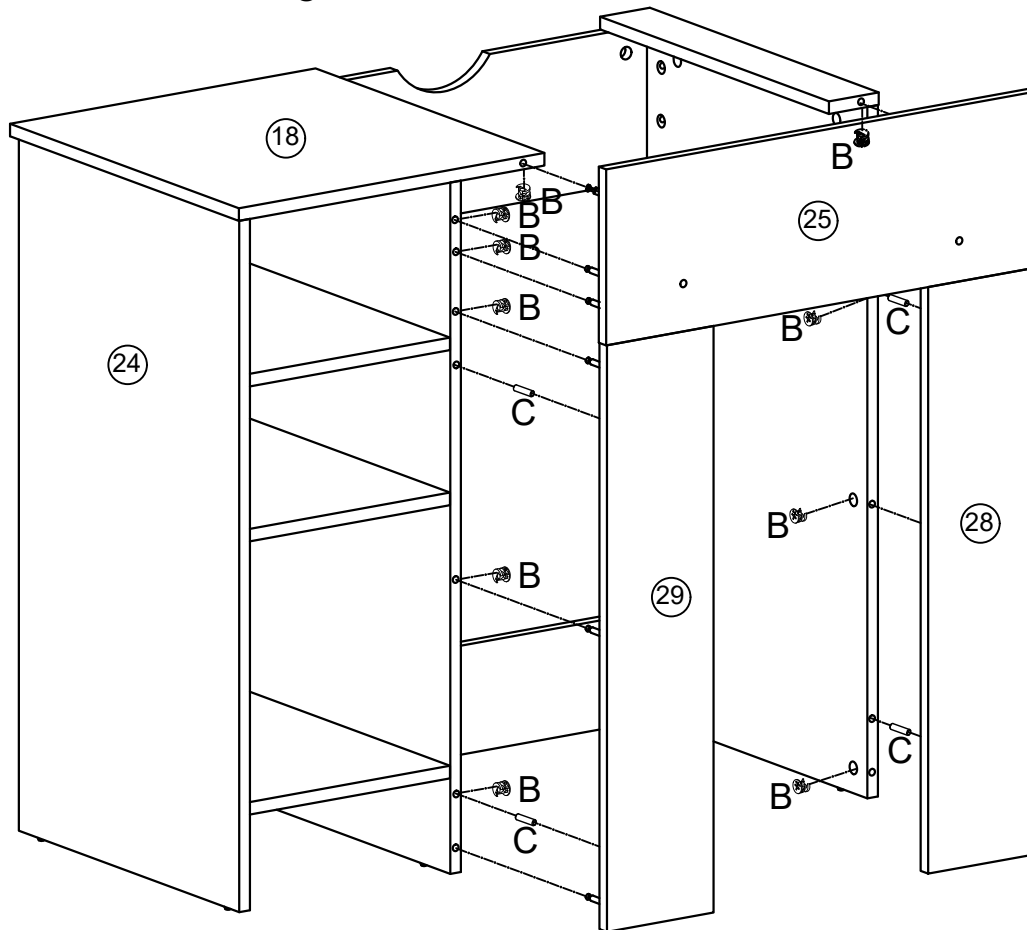
Pls follow the diagram below





		
Ø4x35 D*4	A*12	C*4

10: Install part 25,29,28 to the the entire cabinet body

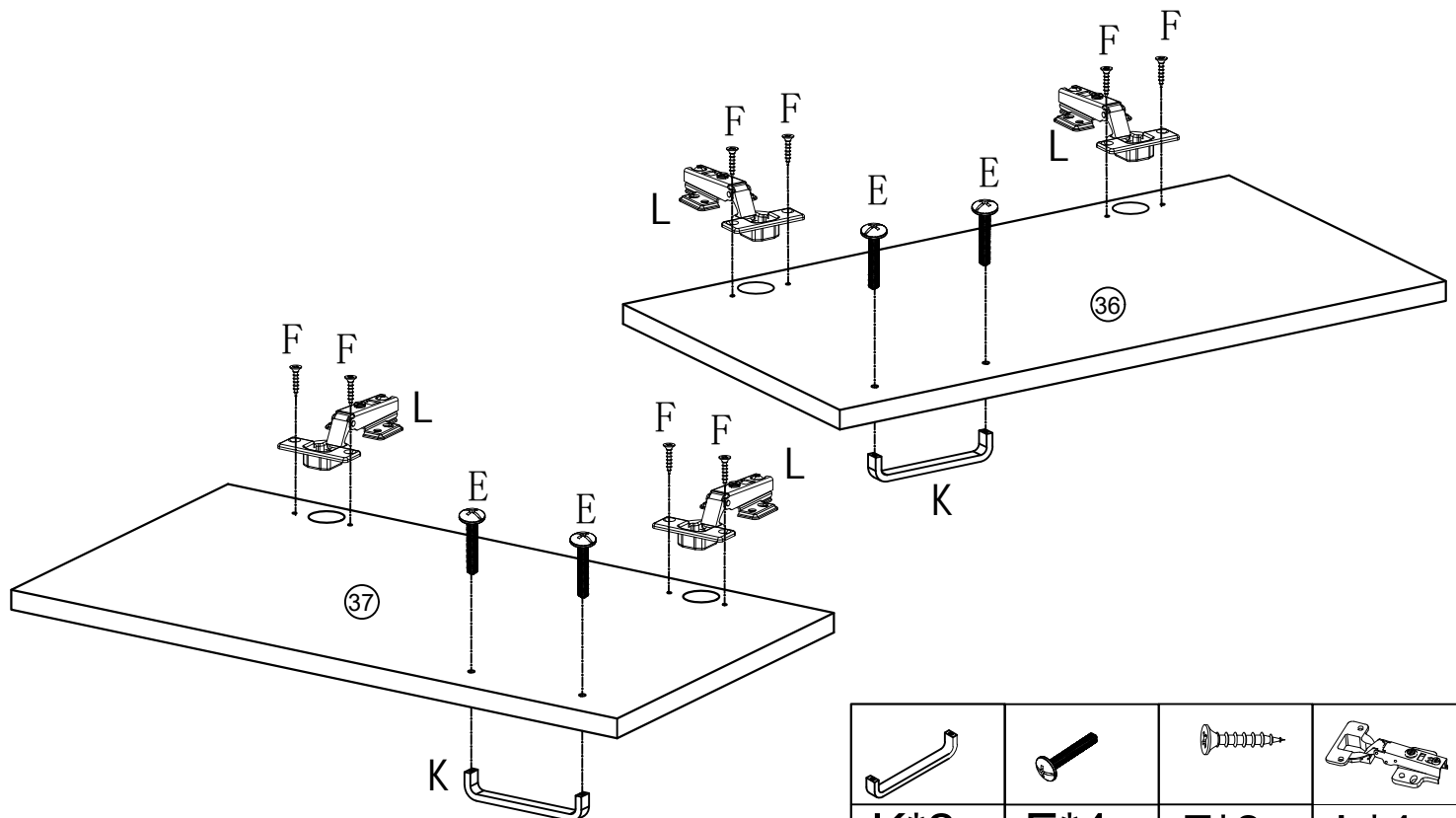
Pls follow the diagram below

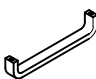

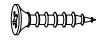
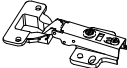


	
B*12	C*4

11: Fix "H " and "K" to part 36,37

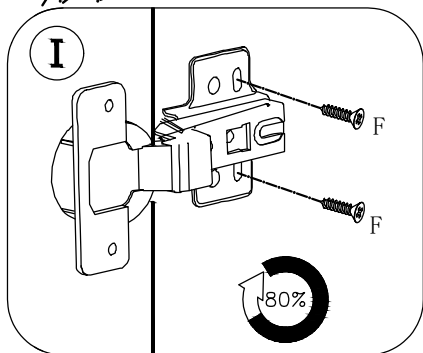
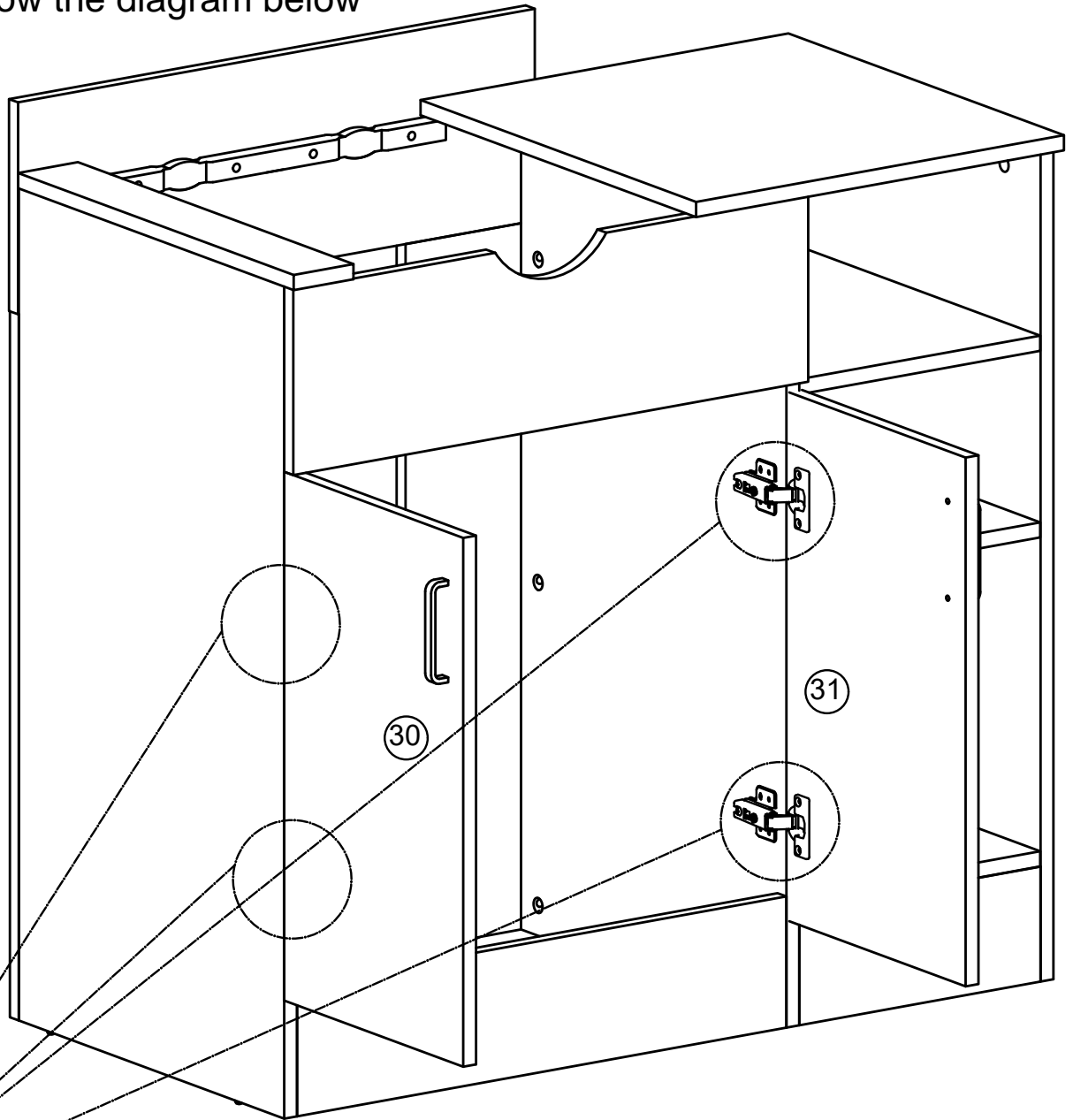
Pls follow the diagram below



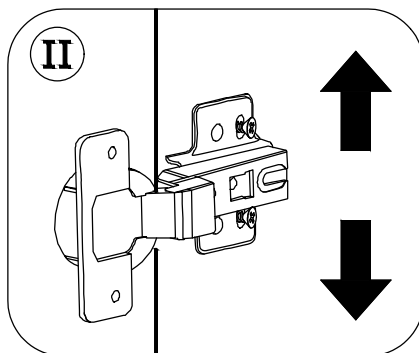
			
K*2	E*4	F*8	L*4

12: Install the doors to the cabinet

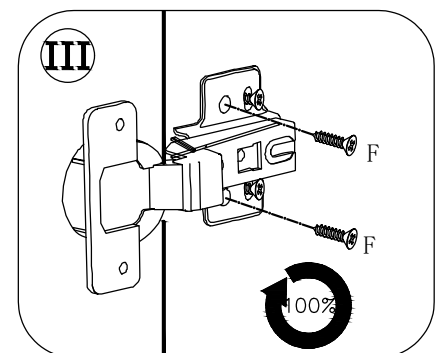
Pls follow the diagram below



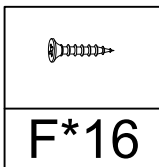
I Drive the screws by 80%.



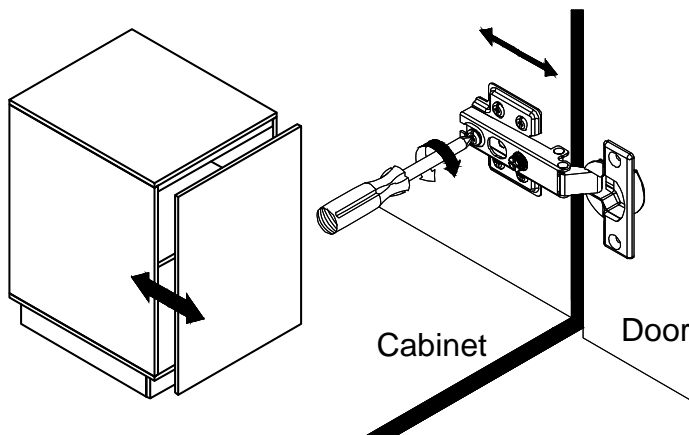
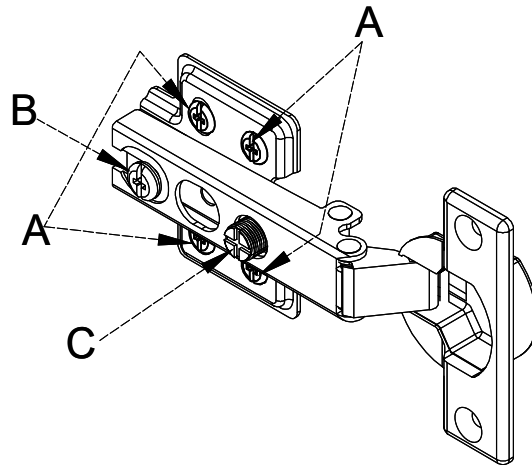
II Adjust the door up or down.



III 100% tighten the screws.

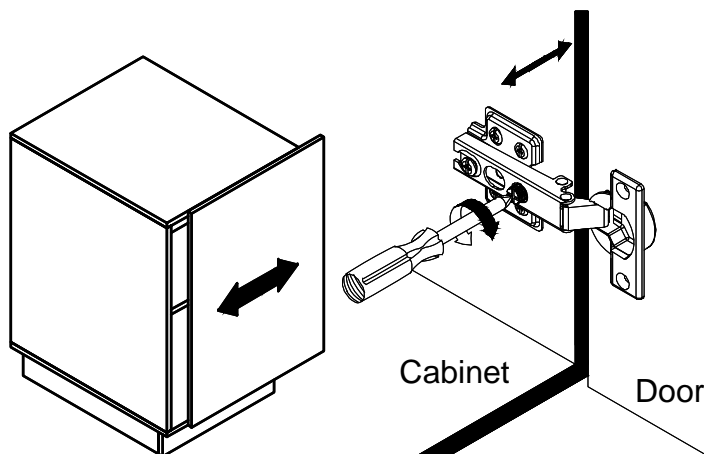


How do I get the two doors to align flat by adjusting the hinges?



To adjust depth.

Loosen screw "B" and adjust door, if the door cannot be adjusted, please loosen screw "C", then try again. Tighten screw "B" and "C"

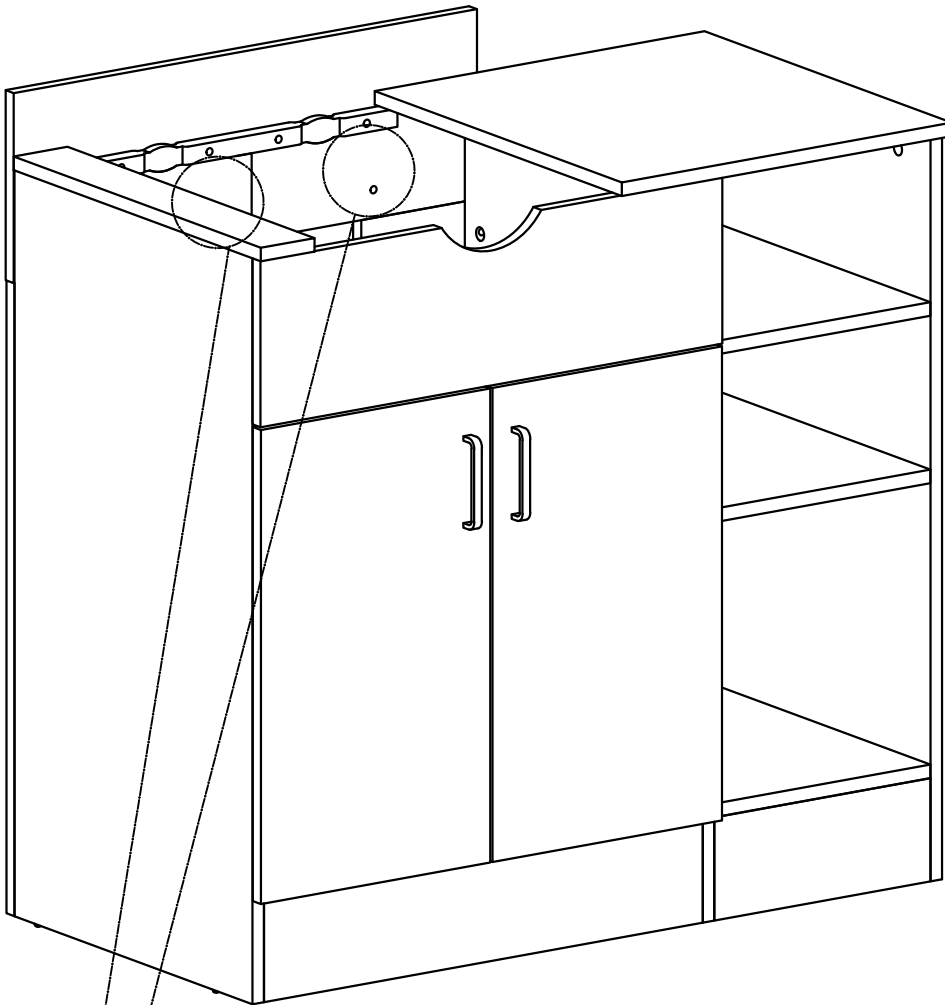


To adjust side ways.

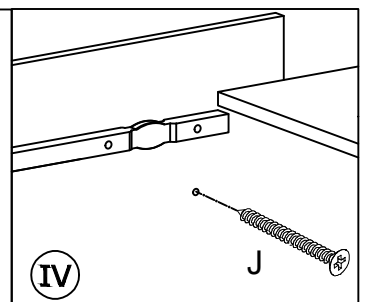
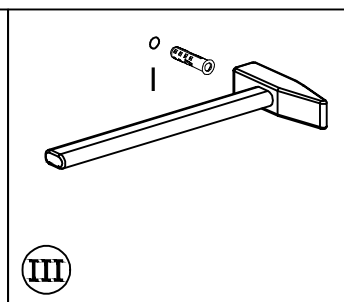
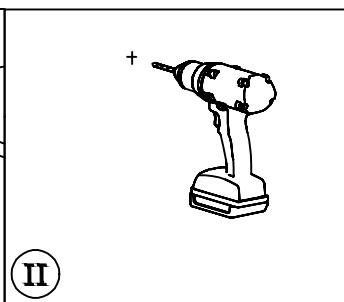
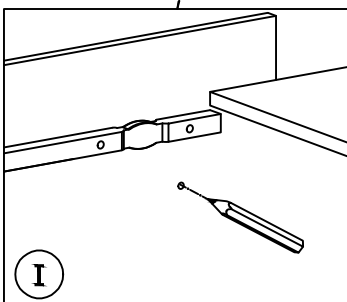
Turning the screw "C" on BOTH hinges on each door.

13: Wall mounting step

Pls follow the diagram below

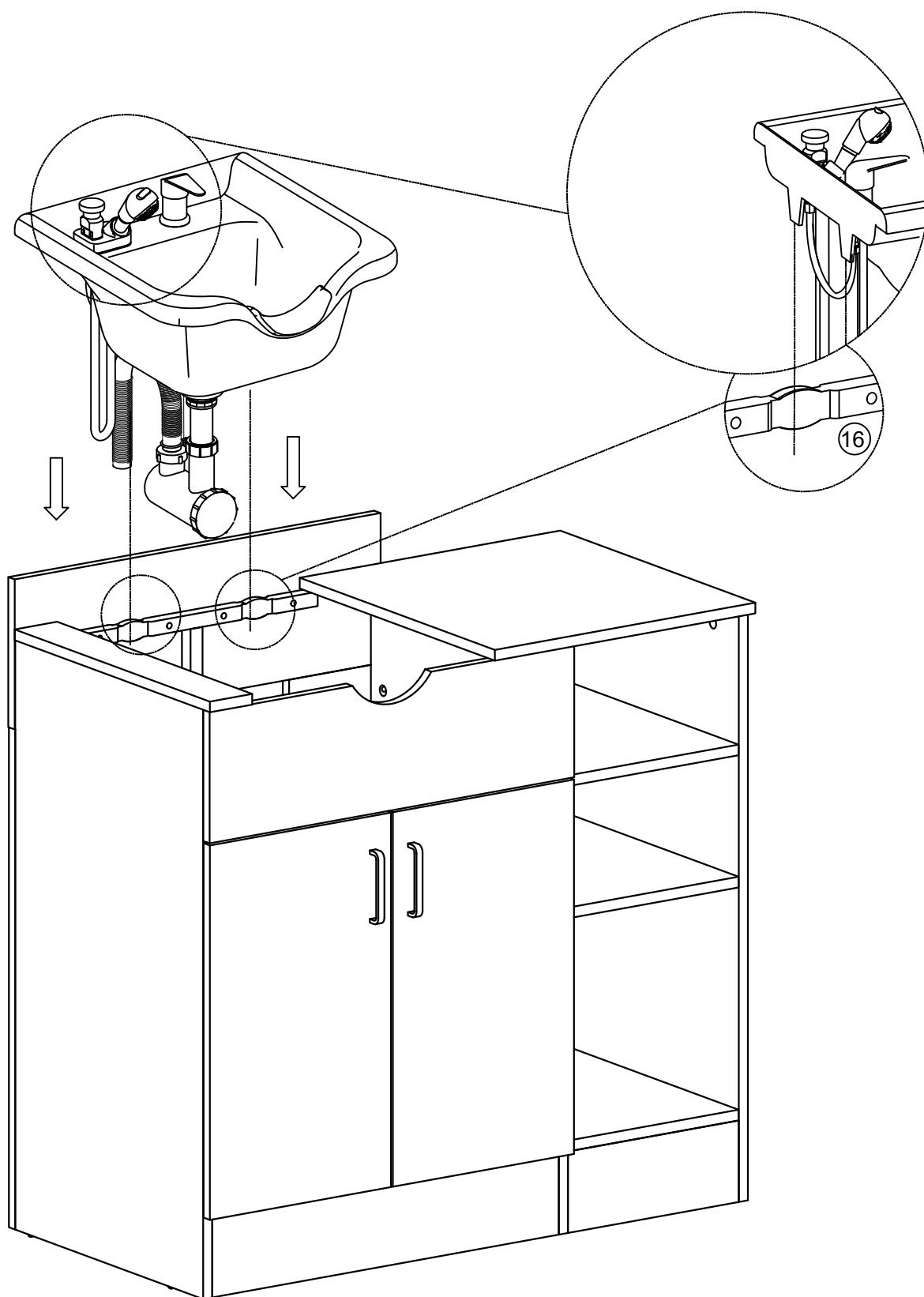


I*2	J*2



14: Install the basin to the cabinet

Pls follow the diagram below



INSTALLATION COMPLETED

