

# OWNER'S MANUAL

READ AND SAVE THESE INSTRUCTIONS



Model No: 8242/No lights

## GET MORE SUPPORT



Email: [uroadmin@urogoo.com](mailto:uroadmin@urogoo.com)

Phone: (657)384-1547



**PLEASE KEEP CHILDREN AND PETS AWAY.**

Contains screws, magnets, please keep away children/pets to avoid accidental ingestion.



# SAFETY INFORMATION

## WARNING

To avoid fire, shock and serious personal injury, please read the following instructions carefully. Important Safety Instructions.

- Before installing the fan, disconnect the power by removing fuses or turning off circuit breakers.
- Make sure the installation site you choose allows a minimum of 7.5 feet from the blades to the floor and at least 30 inches from the tip of the blades to any obstruction.
- The outlet box and its support must be able to support the moving weight of the fan (at least 45kgs.). Do not use a plastic outlet box.
- Attach the mounting bracket by using the hardware supplied with the ceiling outlet box.
- After installing the fan, make sure all the connections are secured. This will prevent the fan from falling.
- Do not insert anything into the fan blades while the fan is operating.
- Turn the fan off and wait for it to stop before reversing fan direction.
- To reduce risk of electrical shock and personal injury, do not install the fan on a sloped ceiling.
- To reduce the risk of electrical shock and personal injury, do not use this fan with any solid-state.
- To reduce risk of personal injury, use only the two steel screws and lock washers provided with the fan for mounting the outlet box.

## Risk Of Electric Shock

- Before you start installing this ceiling fan, disconnect the power supply by turning off the circuit breaker. (see the picture at the next page.)
- All electrical connections must be in accordance with local and National Electric Code (N.E.C.) standards and ANSI/NFPA 70.
- Consult a qualified electrician if you are unfamiliar with proper electrical wiring connections.
- Do not alter, re-locate or remove wiring when nothing goes wrong with the product.
- Double-check all connections and screws to be sure they are tight and correct.
- Verify whether the supply voltage is correct by comparing it with the product information.

## Risk Of Injury

- Keep all the parts of this product away from children. The package contains many small or heavy parts that may bring the risk of choke or injury.
- Make sure to install all parts firmly enough in case they fall while running. Carefully check all screws, bolts, and washers on the fan assembly to ensure they are secured.
- Wear safety gloves and safety glasses always when installing or removing the light or the fan, or performing maintenance.
- Some parts of the components are sharp and may hurt your hands, please make sure you are wearing safety gloves when touching and installing the components.
- Wear rubber-soled shoes and work on a sturdy ladder.

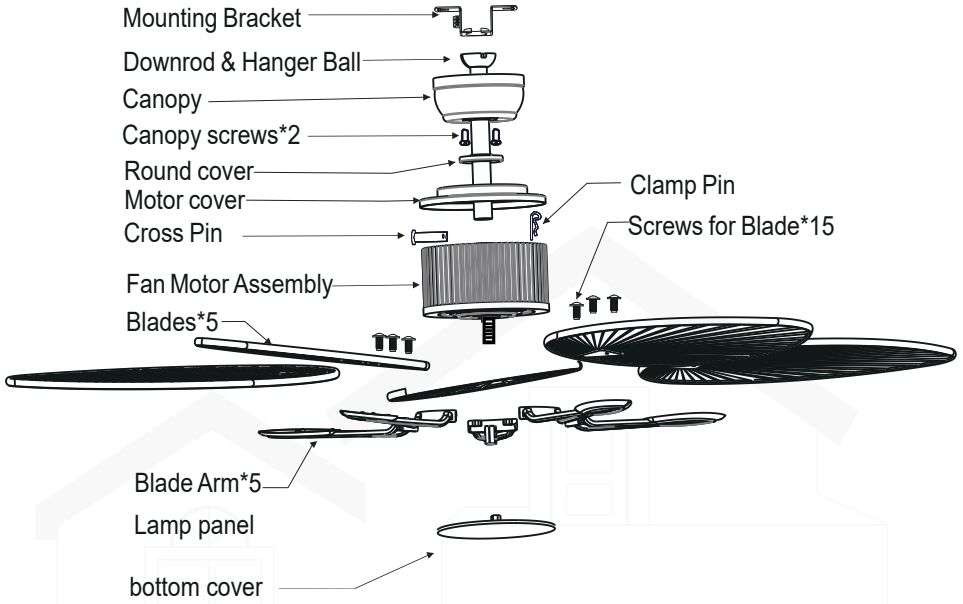
## Maintenance And Cleaning


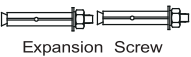

- Periodically cleaning your ceiling fan is the only required maintenance. Use a soft brush or lint free cloth to avoid scratching the paint. Please turn off the electricity power before you clean your fan.
- Do not use water when cleaning your ceiling fan. It could damage the motor or the blades or even evoke an electrical shock.
- The motor has permanently lubricated ball bearing.
- No need to oil.

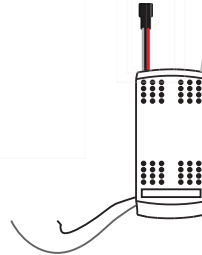
**MAKE SURE THE POWER IS OFF IN THE ELECTRICAL PANEL BOX BEFORE YOU DO ANY CLEANING OR REPAIRS**

# BEFORE YOU START

## Product Instruction



Item no.	Reference Image	Qty.
1	 ST5x35 Setscrew	x4
2	 Expansion Screw	x2
3	 Screws for Blades	x15



Receiver



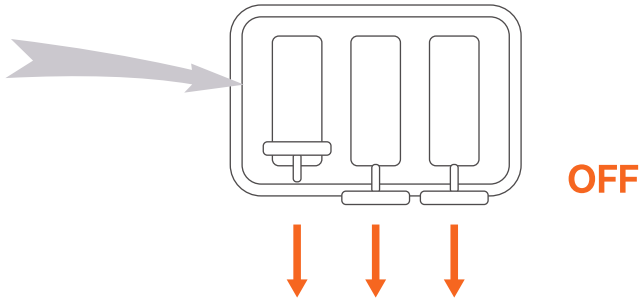
Remote Control



## PRE-INSTALLATION ADVICE

### WARNING

To avoid serious injury or death, turn off the power at the circuit breaker before installing the fan.



### TOOLS NEEDED



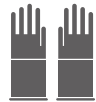
Phillips Screwdriver



Wire Stripper

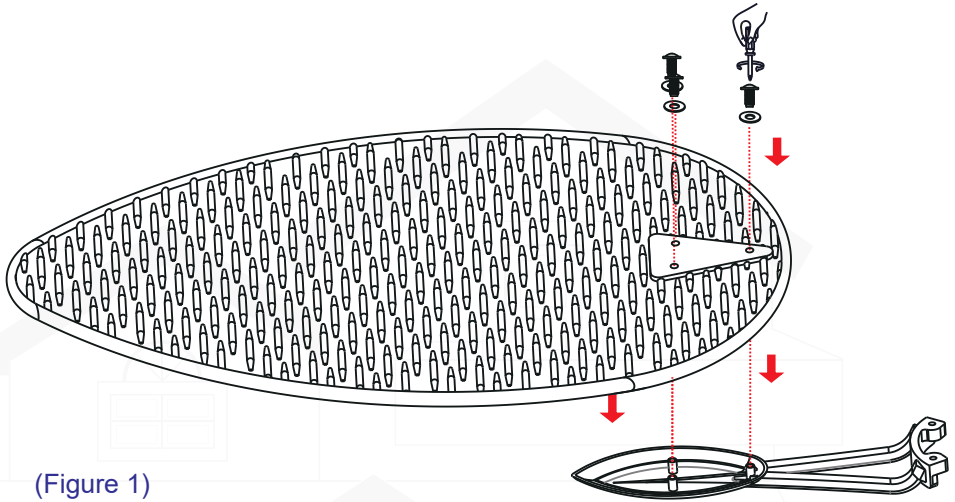


Step Ladder



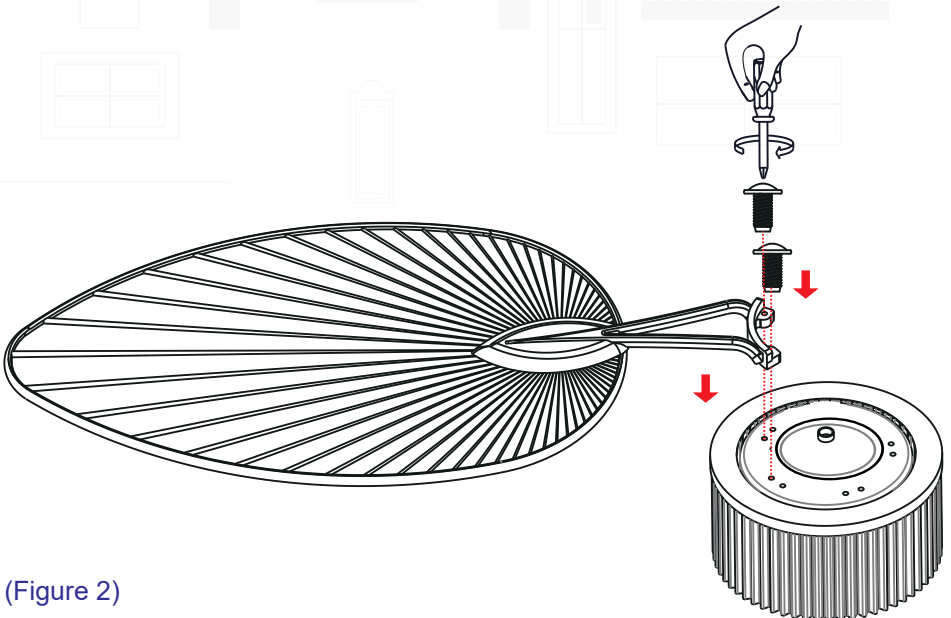
Safety Gloves

1: Fix the fan blades and forks with screws



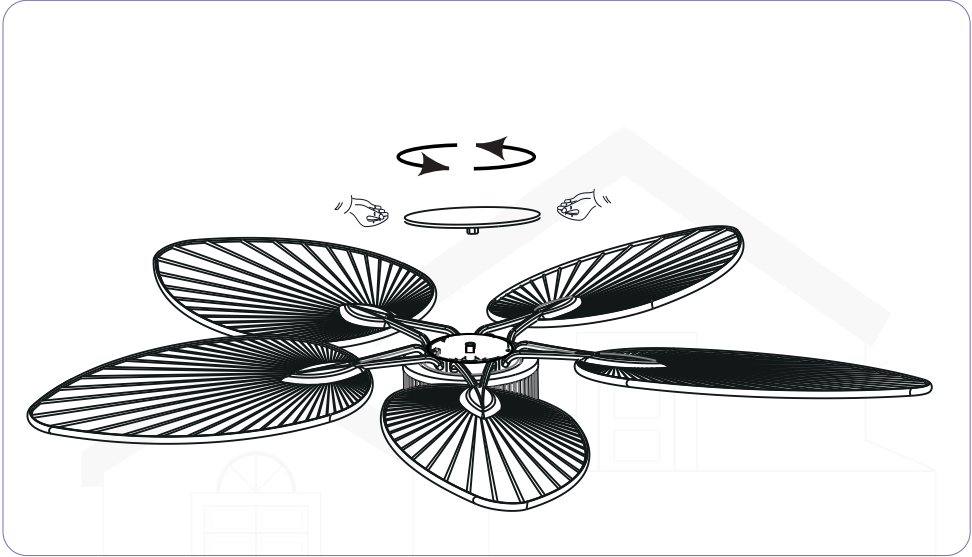
(Figure 1)

2: Assemble the blade assembly with the screws provided.

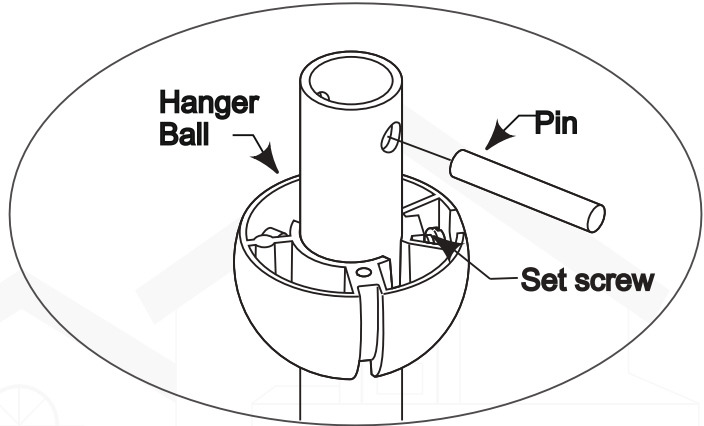


(Figure 2)

3: Install the bottom cover



4; Loosen the set screws in the Hanger Ball assembly until the ball assembly can tilt the ball slides carefully down the downrod. Remove the Pin from the downrod.



(Figure 5)

5: Remove and save the clevis pin and hairpin of the downrod. Put the downrod through the canopy and coupling cover.

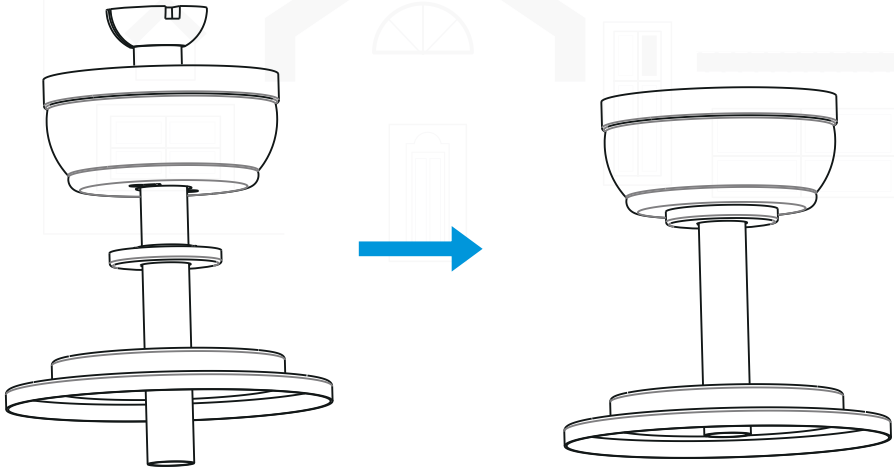
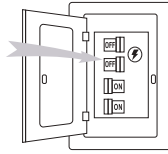


Figure 6

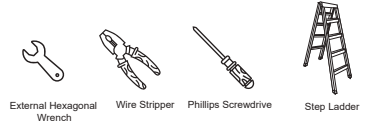
# INSTALLING THE FAN

## BEFORE YOU START

Contact a licensed electrician if you are not good at performing electrical work . It's the licensed electrician who installs the fan . if required by the local code . Do not use the fan with a dimmer switch  
Turn off power at breaker



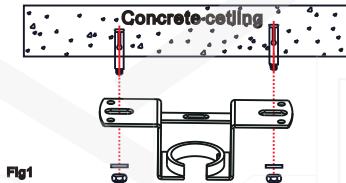
### Tools and Materials Required



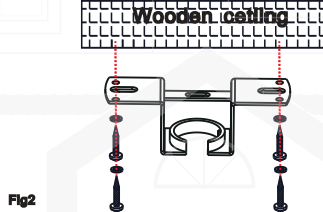
## INSTALLING THE MOUNTING BRACKET

The ceiling fan must be installed in the location where there is 12"(300mm) spacing from the tips of all blades to the nearest objects or walls. REMEMBER to turn off the power before hanging the fan. Follow the instruction below to hang your fan properly:

1. For concrete ceiling, drill two holes in the ceiling and secure the mounting bracket to the ceiling with two  $\Phi 0.32"$ (8mm) (distance between the two holes should be appropriate) expansion screws, flat washers nuts provided and tighten with a spanner.

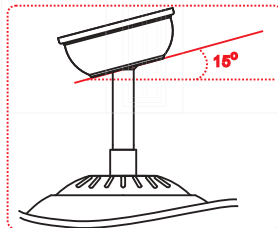


2. For wood ceiling, secure the mounting bracket to the ceiling that is capable of carrying a load of at least 100lbs (45kgs) with two long mounting screws and washers provided. Be sure at least 0.12"(30mm) of the screw is threaded into the support.



3. Refer to the Fig. on the right to mount when the ceiling is angled (Max. 15°).

NOTE: The hanger must be able to withstand 100lbs (45kg) or more after the installation.

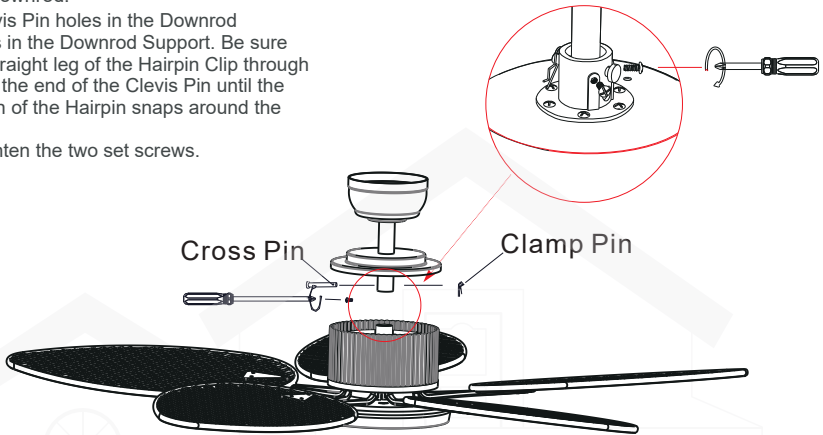


6: Loosen two set screws on the downrod support and then place the downrod into and then place the downrod into the downrod support. (Figure 7)

There add the electrical wires and the earth wire through the downrod.

Align the Clevis Pin holes in the Downrod with the holes in the Downrod Support. Be sure to push the straight leg of the Hairpin Clip through the hole near the end of the Clevis Pin until the curved portion of the Hairpin snaps around the Clevis Pin.

Finally, re-tighten the two set screws.



## **⚠ WARNING**

*It is critical that the clevis screw in the downrod support is properly installed and the set screws are securely tightened. Failure to verify the clevis screw, hairpin clip and set screws are properly installed could result in the fan falling.*

Figure 7

7. Carefully lift the fan, and set the downrod / hanger ball assembly on the hanger bracket attached to the ceiling joist. Be sure the groove in the ball is properly aligned with the tab on the hanger bracket. (Figure 8)

## **⚠ WARNING**

*The fan must be hung with at least 230 cm of clearance from floor to blades.*

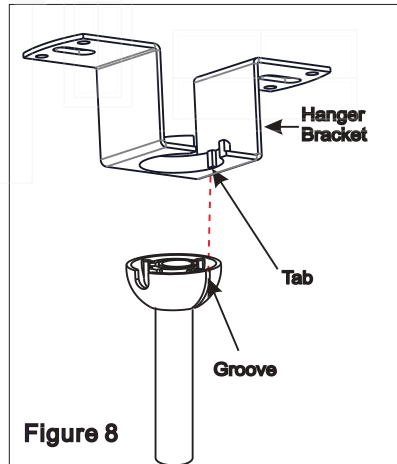


Figure 8

Precautions for connecting the power cord :

**⚠ WARNING**

To avoid possible electrical shock, be sure electricity is turned off at the main fuse box before wiring

**⚡ WARNING**

All wiring must be in accordance with national and local electrical codes ANSI/NFPA 70. If you are unfamiliar with wiring or in doubt, consult a qualified electrician.

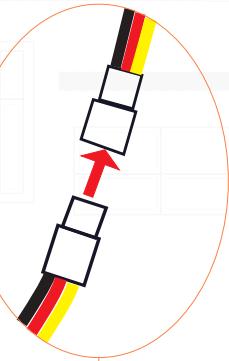
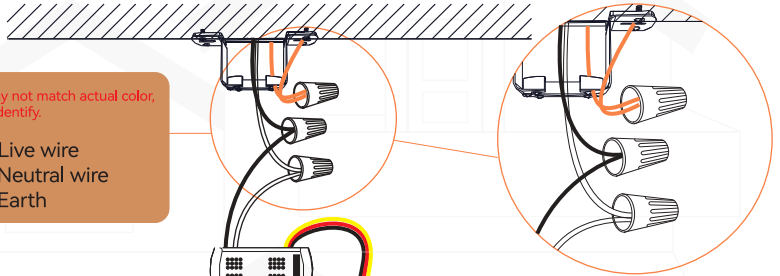
Connect 110V main power (dwelling) to the Terminal Block located on the hanger

12; Correctly link the light wire, motor wire, and neutral wire and live wire according to the guidelines on the right

- 1 Connect the wires according to the polarity (the color of the House power cord may be different if the color is the same).

⚠ Ground wire color may not match actual color, please be careful to identify.

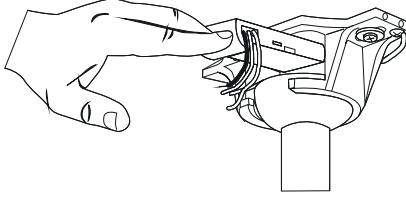
Black ----- Live wire  
White ----- Neutral wire  
Yellow ----- Earth



Red White Black  
wire motor plug

Figure 12

② Put the receiver into the Bracket and arrange the wires



③ Adjust the position of Canopy, then lock it

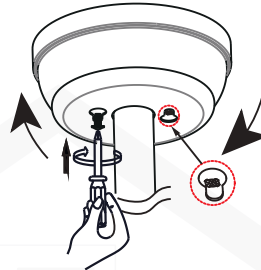
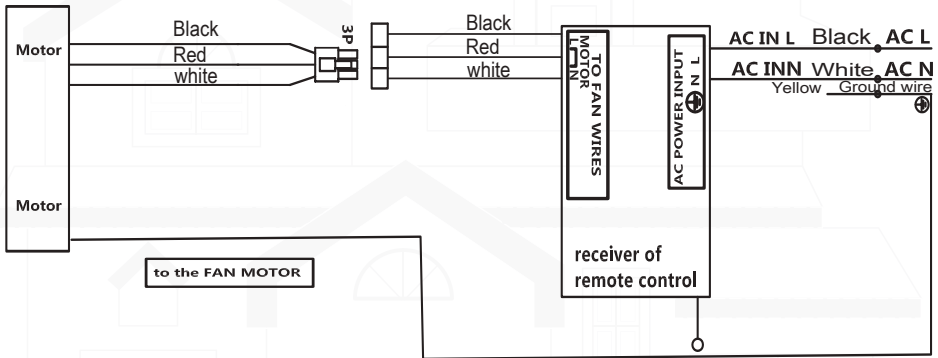
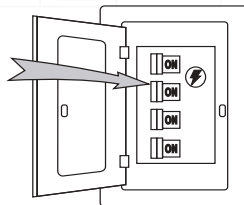


Figure 12



Installation is now finished . Turn on the power switch. Then the fan lights are on Test and pair your fan immediately using the remote control

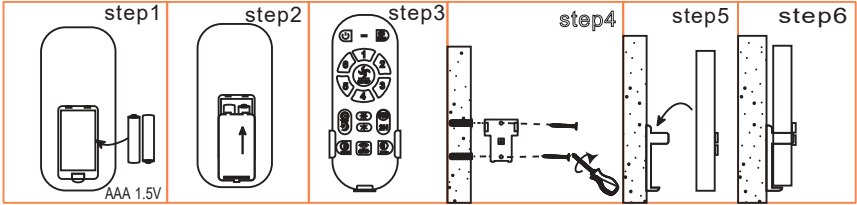




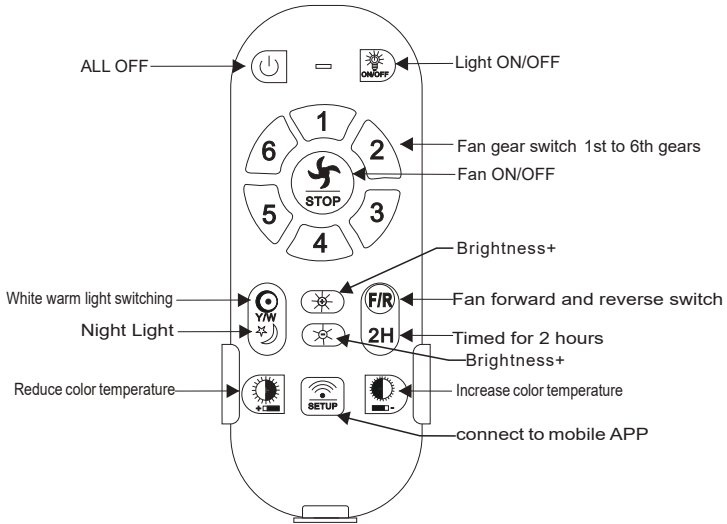
# REMOTE CONTROL



- **Install 1.5\*2 volt battery.**  
(To prevent damage to transmitter, remove the battery if not used for a long time).
- **Do not place the remote control in an excessively hot or humid environment**



## - Remote Control Buttons -

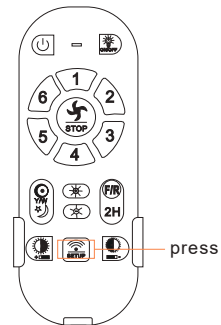


**Q1: How do I re-pair the remote control with the fan if the remote control is operating abnormally?**

**A:** The remote transmitter should already be paired to the receiver and ready to use.  
You can strengthen the connection between the remote control and the ceiling fan through the following operations:

1. Turn off the power to the fan and then turn on the power.
2. Within five seconds of turning on the power, press and hold the "ON/Off" button with the remote control for more than five seconds, and pairing is complete.

(To prevent faulty operation, please ensure all other ceiling fans within range are turned off at the wall switch while pairing.)





# BLUETOOTH CONTROL

## APP OPERATION

1. Download the APP scan the QR code → open the browser→ select the version to download
2. Open the APP → select a room → Click on ⊕ → select "fan light" → enter the equipment name (such as fan light) → OK
3. Click on ☰ enter



1. Language (Chinese and English can be selected)



2. Scan (scan the other party's QR code to share device control)



3. My QR code (you can share it with the other party)



4. Room management (room name can be added)



5. Instructions (Choose the second interface fan light, instructions for using various symbols of the device)



6. Check for updates



7. Feedbackpoint to enter

## APP BUTTON FUNCTION DESCRIPTION



Code matching button (click this button within 5 seconds of turning on the light, such as the light source flashing or the buzzer "di", it proves that the pairing code is successful; if the pairing code fails, repeat this operation).



After clicking, you can choose a time to turn off the device regularly.



After clicking, the wind blown by the fan is like the wind in nature.



The wind blown by the fan after clicking is suitable for sleep.



After clicking, the fan will rotate in the reverse direction.



Click to change the direction of the wind.



After clicking, the fan will rotate forward.



After clicking, the white light and yellow light will light up at the same time, but the brightness is only 10% of the maximum brightness.



After clicking, the white light and yellow light will light up at the same time, and the brightness is the maximum brightness.



After clicking, only the yellow light will light up, and the brightness is the maximum brightness.



After clicking, only the white light will light up, and the brightness is the maximum brightness.

# MOBILE APP CONTROL

Download installation and operating instructions



(FIGURE 1)

## Apple phone download and installation

Scan the QR code with the mobile phone scan function, or search "FanLamp Pro" in the app store and press download to install

 (Keep Bluetooth on)



(FIGURE 2)



(FIGURE 3)



(FIGURE 4)

① Download installer (Figure 2)

② Turn on Bluetooth (Figure 3)

③ Open "FanLamp Pro" to enter the main page (Figure 4)



(FIGURE 5)



(FIGURE 6)



(FIGURE 7)

④ Press "+" to add a new fan lamp (Figure 5)

⑤ Enter the control page after creating (Figure 6)

⑥ In order to ensure that the application successfully controls the device, please click this button within 5 seconds after the device is powered on. If the device flashes or beeps, it means that the mobile phone is successfully paired with the device, and the device can be controlled through the application (Figure 7)

# PROTECTIVE FUNCTIONS OF THE RECEIVER

**Lock protection-** The DC motor has a built-in safety feature against blade or motor obstruction during operation. If something obstructs the fan blades or motor, the motor will keep trying to run and then stop operation after about 30 seconds of interruption. Please remove obstacles and reset. To reset: Turn the fan off by remote transmitter and then turn the fan on.

**Over load protection (current limit)-** The device will limit the maximum current output from the receiver/drive if the fan load has increased abnormally.

## Tips

1. If your fan operates automatically after installation and power on, it is because your fan has memorized the previous factory setting. Use the Universal Mode or the learning function and your fan will be ready for use.
2. If the fan or light isn't working, reset power (turn the power off for at least 5 seconds and then turn the power back on) and redo the learn function setting.
3. It is not possible to remotely operate more than one fan in the same room (in the area where the remote signal can reach to) if they share the same power supply. Separate power supplies (such as using individual wall switches for each fan) is required if you want to separately control more than one fan in same room.
4. When the fan is turned on or operated using forward/reverse function, it shutters & goes back & forth until it turns.  
This is a normal and it will take a few seconds to run this operation.

## MAINTENANCE

1. Periodic cleaning of your new ceiling fan is the only maintenance that is needed.
2. When cleaning, use only a soft brush or lint free cloth to avoid scratching the finish.
3. Abrasive cleaning agents are not required and should be avoided to prevent damage to finish.

### **WARNING**

*Do not use solvents when cleaning your ceiling fan. It could damage the motor and create the possibility of electrical shock.*

### **RECOMMENDED:**

Periodically check that the blade sets to the fan motor setscrews are secure and tight.

Please note that all ceiling fans are not the same, even in the same model—some may move more or less than others.

Movement of a couple of centimeters is quite acceptable and does not suggest the fan will fall down.

Even though all blades are weighted and grouped by weight, it is impossible to eliminate wobble altogether. This should not be considered a fault. Ceiling fans tend to move during operation due to the fact that they are not generally rigidly mounted.

## TRY THE FOLLOWING TO REDUCE A WOBBLING FAN;

1. Check that all of the blade mounting screws are tightened and secure.
2. Wobbling problems may result from inconsistent blade level. To check the blade level, measure the distance from each blade tip to the ceiling. Note: If measurements are inconsistent:
  - Be sure the blade mount screws are not too tight or too loose, which may cause wobbling due to an unlevel blade tip
  - An out of shape blade can cause wobbling. Check by removing the blade and placing on a flat surface.
3. Blade tracking may be checked simply by use of a household ruler. Place the ruler vertically against the ceiling and even with the outside leading edge of a blade. Note the distance of the edge of a blade compared to the others. Turn the blade slowly by hand to check the remaining blades.  
If a blade is not in alignment, the blade is either out of shape, warped or the blade screws are not evenly tighten or either loose.

## BALANCING KIT

A Balancing Kit has been provided to assist with reducing a wobble. Please retain the kit as it may become useful should the fan develop a wobble in the future.

- Step 1.** Clamp the balance clip to the middle position marked A of any fan blade. Turn on the fan and check if the vibration of the fan blades is reduced. Proceed to step 3 if the shaking is reduced. If shaking increases go to step 2.
- Step 2.** Take out the balance clip, clip it to the middle mark B of the clockwise adjacent blades, and so on until you find the fan blade that can reduce the shaking.
- Step 3.** When we found the fan blade that can reduce the shaking. Move the balance clip on the fan blade towards the center or edge and turn on the fan to see if the wobble is reduced. If the balance clip cannot fully counteract the shaking of the fan blade at the center or edge position, you can add an additional balance clip near the center or edge position for adjustment.
- Step 4.** When the fan blade no longer shakes, use a balance patch to stick to the position where the clip on the back of the fan blade is clamped to replace the balance clip. (1 balance patch instead of 1 balance clip)
- Step 5.** The adjustment is complete.



MADE IN CHINA

Manufacturer: naanpuzhuangyuanzhaoming Co., LTD

Email:uroadmin@urogoo.com Phone:(657)384-1547