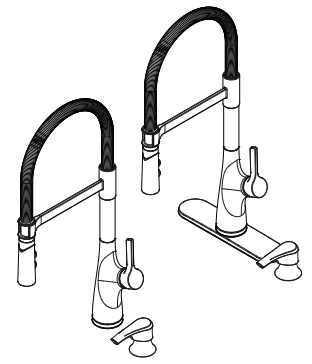


Ceylon™ Culinary Faucet

- F529-7CLOCBG Finish(BG)
- F529-7CLOCC Finish(C)
- F529-7CLOGCS Finish(GS)
- F529-7CLOCSDB Finish(SDB)



- Pivot Sprayhead
- MagnePfit™ Sprayhead Docking
- SoloTilt™ One-Hand Soap Dispenser

Specifications

Features

- 1.8 GPM Flow Rate
- 1, 2, 3 or 4-Hole Installation; Deck Plate or Single Hole Mounting Option
- 3 Function Pull-Down Sprayer (Spray, Stream, and Pause)
- 360° Rotating High Arc Swivel Spout
- MagnePfit™ Sprayhead Docking
- Pivot Sprayhead
- Spot Defense™ Finish Resists Spots and Fingerprints (GS & SDB Finish Only)
- Quick Install Tool Included
- SoloTilt™ One-Hand Soap Pump
- Nylon Braided Hose
- Integrated Flexible PERT Supply Lines with 3/8" Connection
- Forward Handle Operation
- TiteSeal™ Technology
- Pforever Seal™ Ceramic Disc Valve
- Limited Lifetime Warranty



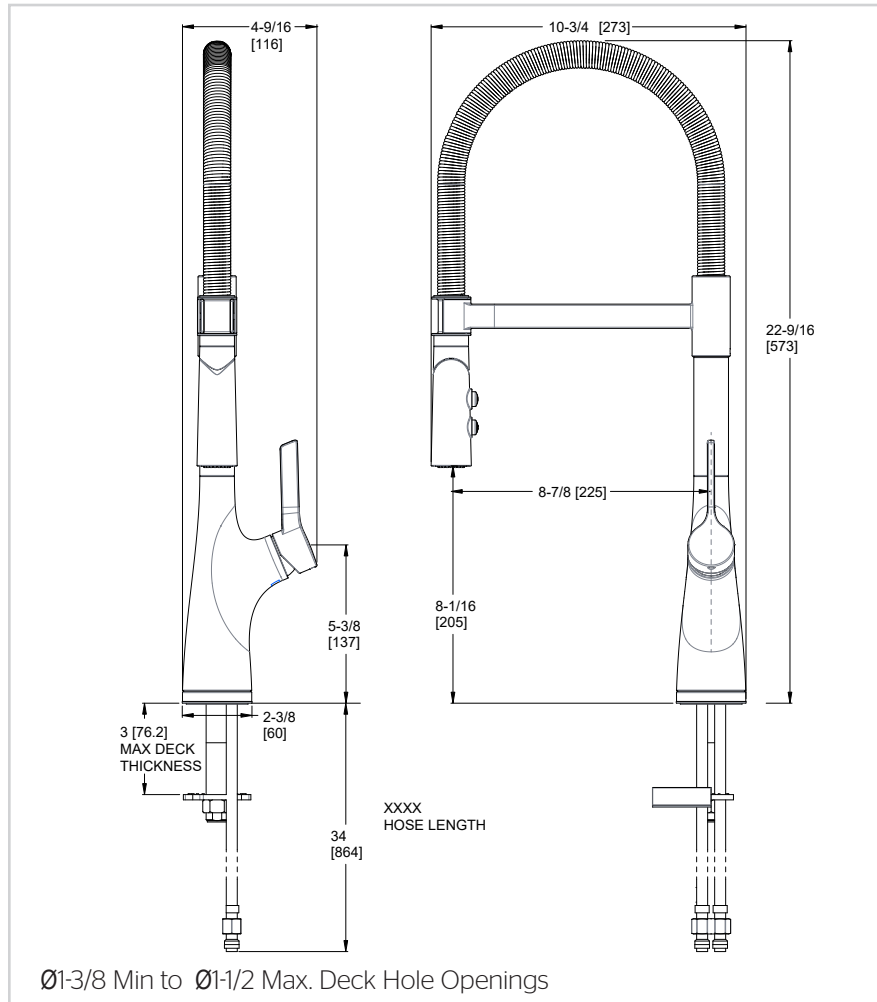
Code Compliance

Pfister products are designed and manufactured in compliance with the following standards and codes:

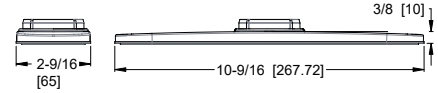
- IAPMO Certified to ASME A112.18.1/CSA B125.1 including:
 - ASME A112.18.3 (Backflow Prevention)
- NSF/ANSI/CAN61:Q≤1
- CEC Certified/CALGreen compliant
- ADA Compliant - ANSI A117.1 (Lever Handle Only)



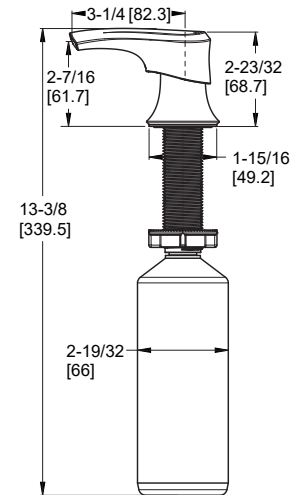
Dimensions



Optional Included Deckplate



Top Filling Soap Dispenser



36 Inch Supply Lines with 3/8 Female Compression Brass Connections

