

#### Features

- Kinesis™ technology with concealed sensor allows for a clean aesthetic and provides extraordinarily accurate and reliable actuation in varying installation environments.
- Below-counter valving reduces the faucet footprint and provides easier service.
- Design-forward aesthetic for commercial bathroom spaces.
- 0.5 gpm (1.9 lpm) maximum flow rate.
- Requires K-13480 single or K-13481 multiple AC adapter unit.
- On-demand usage with 30-second max. continual run cycle to prevent vandalism and save water.
- Vandal-resistant aerator.
- 18" (457 mm) stainless steel braided flexible supply hose for easy installation.
- 5-13/16" (148 mm) spout reach.
- Grid drain.
- Includes concealed mechanical mixer.
- Complies with the Safe Drinking Water Act (SDWA).

#### Material

- Brass construction spout.
- Cast brass valve.

#### Technology

- Kinesis™ sensor technology offers on-demand detection for maximum water savings.

#### Installation

- Single-hole mounting.
- Includes spout assembly, grid drain, control box assembly, supply hose, mixer and standard mounting hardware.

#### Required Products/Accessories

K-13480 AC Single Supply

or

K-13480-A AC Single Supply

or

K-13481 Multi-Outlet Power Supply

or

K-13481-A Multi-Outlet Power Supply

#### Recommended Products/Accessories

K-23726 Drain treatment

K-23723 Faucet cleaner

#### Optional Products/Accessories

K-13478-A 4" escutcheon plate for Insight™ and Kinesis® faucet

K-13478-B 4" escutcheon plate for Insight™ and Kinesis® faucet

K-13479-A 8" escutcheon plate for Insight™ and Kinesis®



ADA

CSA B651

OBC

#### Codes/Standards

ASME A112.18.1/CSA B125.1

NSF/ANSI 61

NSF/ANSI 372

All applicable US Federal and State material regulations

DOE - Energy Policy Act 1992

California Energy Commission (CEC)

ADA

ICC/ANSI A117.1

CSA B651

OBC

#### KOHLER® One-Year Limited Warranty

See website for detailed warranty information.

#### Available Colors/Finishes

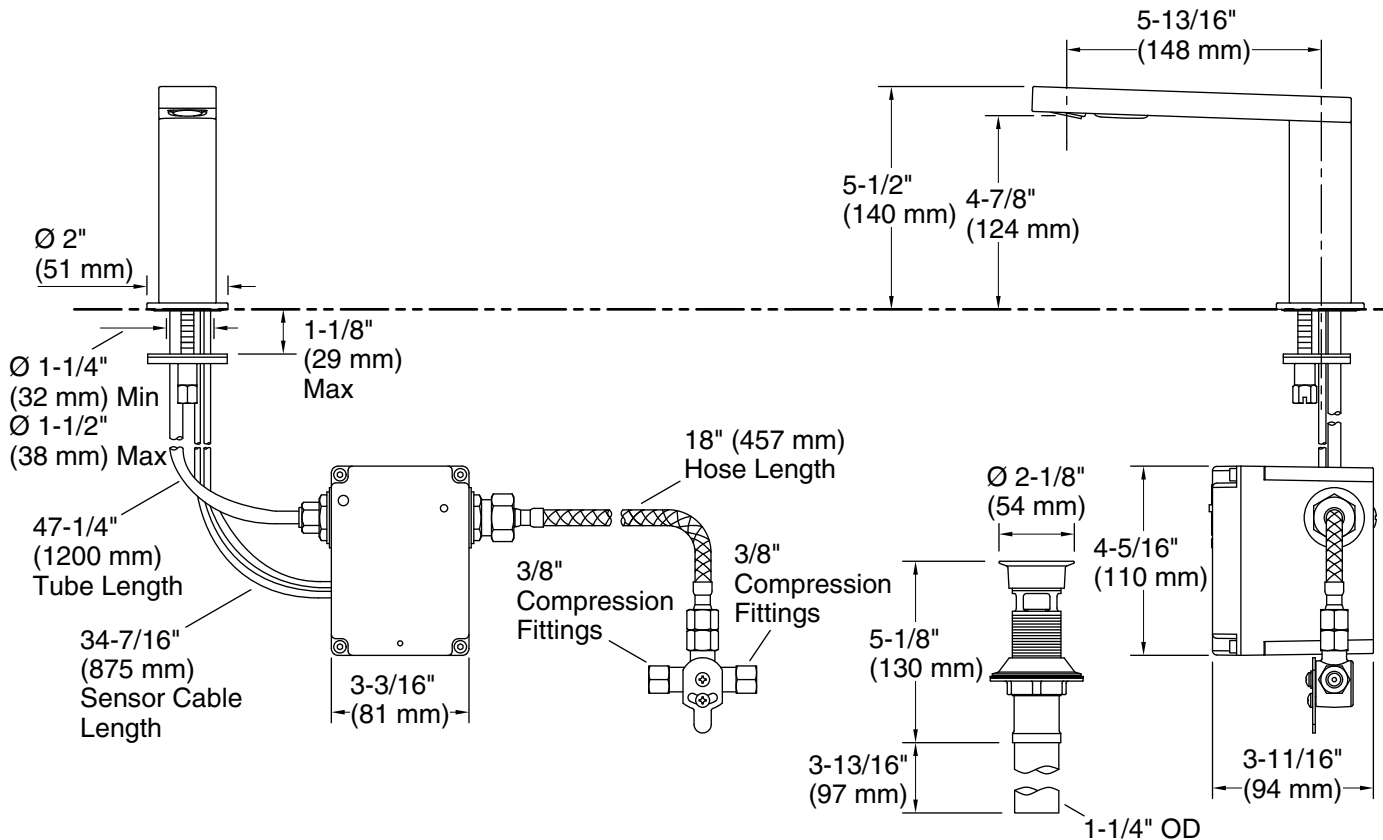
*Color tiles intended for reference only.*

#### Color Code Description



CP

Polished Chrome



## Required Electrical Service

One circuit required, protected with Class A Ground-Fault Circuit-Interrupter (GFCI). Outside North America, this device may be known as a Residual Current Device (RCD).

120/240 V, 50/60 Hz

## Technical Information

All product dimensions are nominal.

Power source: Hardwire - AC and Plug - AC, not included

### Faucet:

Flow rate: 0.5 gal/min (1.9 l/min)

Pressure: 60 psi (4.1 bar)

Valve body: Cast brass

Drain included: Yes

### Spout:

Spout reach: 5-13/16" (147 mm)

## Notes

Install this product according to the installation instructions.

A 1-1/4" (32 mm) minimum to 1-1/2" (38 mm) maximum diameter mounting hole is required.

The minimum distance between the back of the faucet spout and the wall must be 1-3/4" (44 mm). This will allow proper clearance for setscrew access.

The maximum distance between the bathroom sink basin edge to the base of the faucet spout must be 1-3/4" (44 mm).

This product requires an AC power supply (not included).

ADA, OBC, CSA B651 compliant when installed to the specific requirements of these regulations.