

Mainstream® 32" x 32" Shower Base

A8023-CO.011

Product Features:

- High-gloss acrylic surface with fiberglass reinforcement
- Single threshold
- Easy to clean, non-porous surface
- Mold and mildew resistant
- One-piece with 1" tile flange
- Limited lifetime warranty
- Drain sold separately

Nominal Dimensions:

32" x 32" x 4-1/4"
(813 x 813 x 127 mm)

Compliance Certifications -

Meets or Exceeds the Following Specifications:

- CSA B45.5/IAPMO Z124
- IAPMO R&T cUPC
- ICC A117.1



A8023-CO.011

SEE REVERSE SIDE FOR ROUGHING-IN DIMENSIONS
AND PRODUCT SPECIFICATIONS

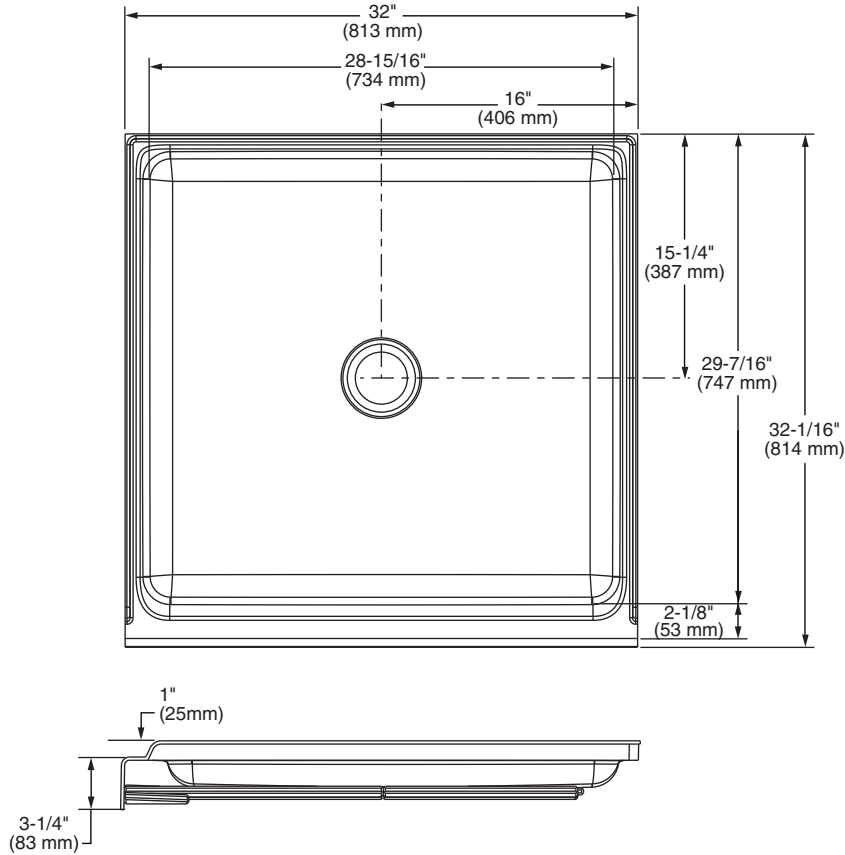
To Be Specified:

- Color: .011 Arctic White

Optional:

- Shower Door: AM00842400.213
- 4pc Shower Wall Set: 2950SWT32.011

A8023-CO.011



IMPORTANT: Roughing-in dimensions may vary 1/2" and are subject to change or cancellation without prior notice. No responsibility is assumed for use of superseded or voided leaflets.

NOTES:
REFER TO INSTALLATION INSTRUCTIONS SUPPLIED WITH SHOWER BASE FOR ADDITIONAL INFORMATION.

IMPORTANT: Dimensions of fixtures are nominal and may vary within the range of tolerances established by ANSI Standard Z124.1 / CSA. These measurements are subject to change or cancellation. No responsibility is assumed for use of superseded or voided pages.

GENERAL SPECIFICATIONS FOR A8023-CO.011 SHOWER BASE	
INSTALLED SIZE	813mm X 813mm X 82.5mm (32 X 32 X 3-1/4 IN.)
WEIGHT	13 Kg. (29 LBS.)
SHOWER WELL AT RIM	733mm X 676mm (28 X 27-3/8 IN.)
FLOOR LOADING	20 Kgs/Sq. m. (4.0 LBS./FT. ²) (PROJECTED AREA)