



Dickinson®
33" undermount single-bowl farmhouse kitchen sink
K-6546

Features

- Fits minimum 36" (914 mm) apron sink base cabinet
- Single bowl
- 8" (203 mm) depth
- Integral apron
- Sink drain with strainer sold separately
- No faucet holes; requires wall- or counter-mount faucet

Material

- KOHLER® enameled cast iron
- Acid-resistant enamel finish

Installation

- Undermount

Recommended Products/Accessories

- K-6062 Sink rack
- K-8801 Sink drain and strainer with tailpiece
- K-8799 Sink drain and strainer basket
- K-23726 Drain treatment
- K-23725 Cast iron cleaner

Optional Products/Accessories

- K-11352 Disposal Flange with Stopper
- K-9000 P-Trap



Codes/Standards

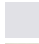


ASME A112.19.1/CSA B45.2

KOHLER® Enameled Cast Iron Kitchen and Bathroom Sink Lifetime Limited Warranty

See website for detailed warranty information.

Available Colors/Finishes

Color tiles intended for reference only.

Color	Code	Description
	0	White
	96	Biscuit
	7	Black Black™

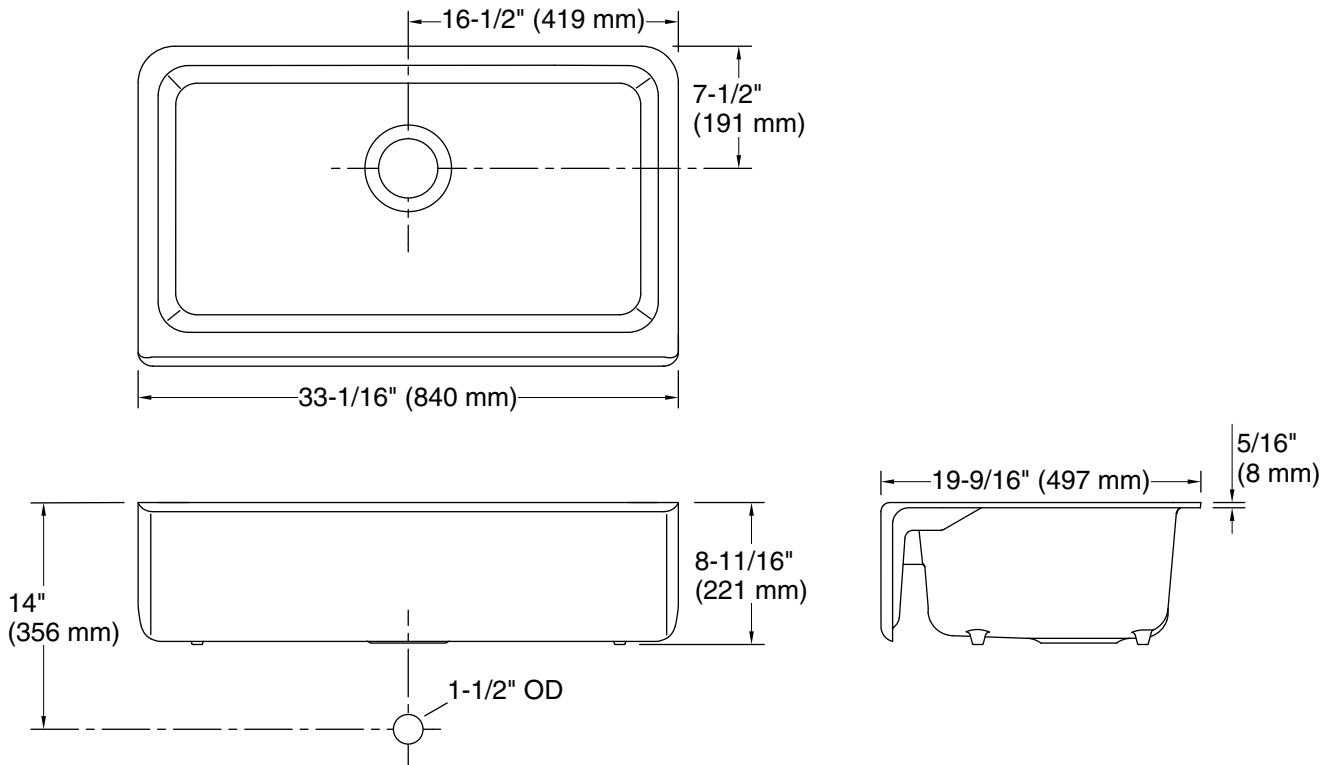
1-800-4KOHLER (1-800-456-4537)

Kohler Co. reserves the right to make revisions without notice to product specifications.

For the most current Specification Sheet, go to www.kohler.com USA or www.kohler.ca Canada

7-10-2025 22:48 - US/CA

THE BOLD LOOK
OF **KOHLER®**



Technical Information

All product dimensions are nominal.

Basin configuration: Single Bowl

Center(s): 8" (203 mm)

Min. base cabinet width: 36" (914 mm)

Bowl area (Only): Length: 29-1/2" (749 mm)
Width: 15-3/8" (390 mm)
Bowl depth: 8-5/8" (220 mm)
Water depth: 8" (203 mm)

With overflow: No

Drain hole: 3-5/8" (92 mm)

Template: Apron-front, 1463896-7, required, included
Cabinet, 1465115-7, required, included

Notes

Install this product according to the installation instructions.