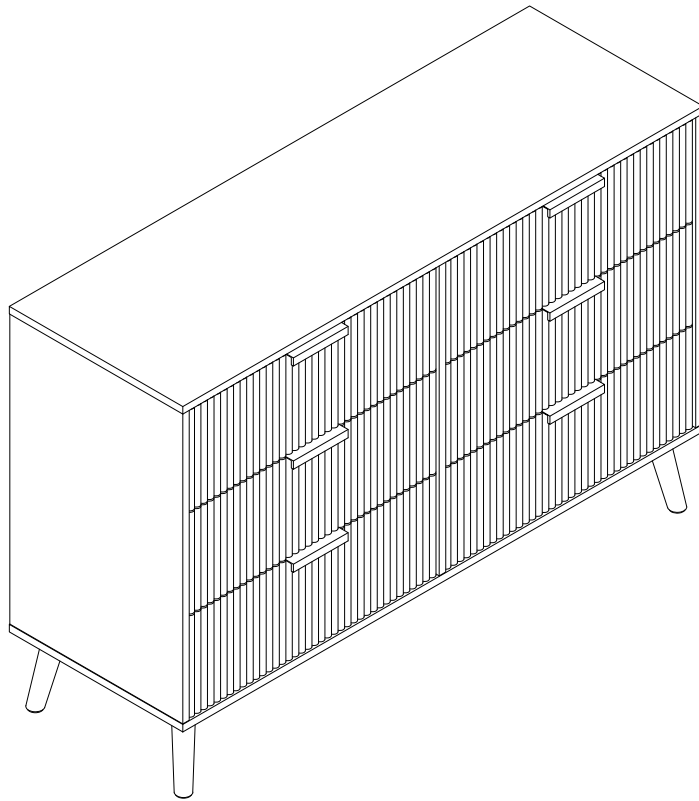
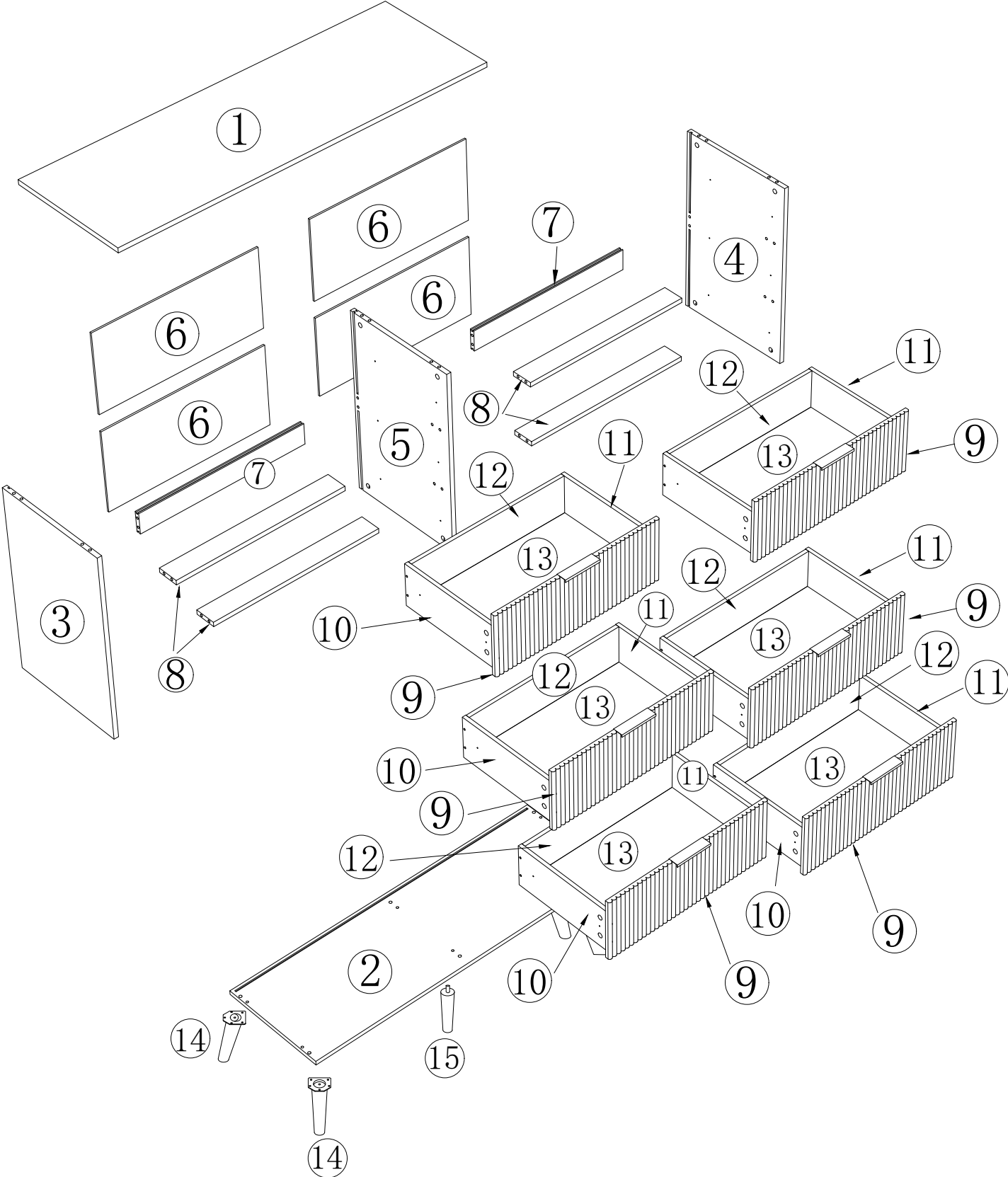


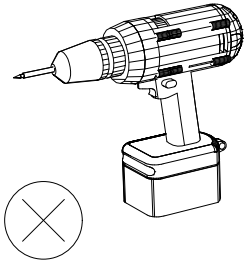
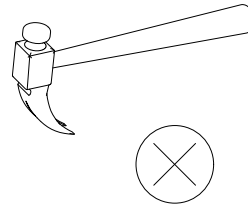
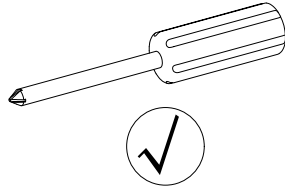
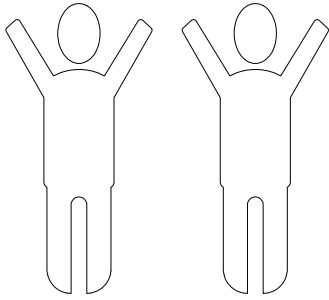
Assembly Instruction



Parts List (EN) / Teile Liste (DE)

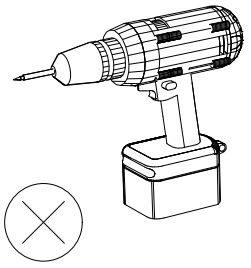
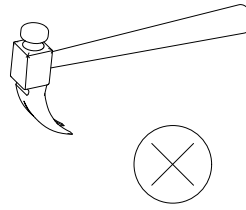
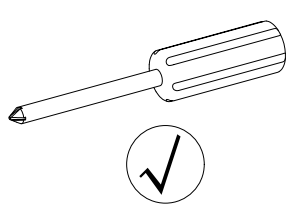
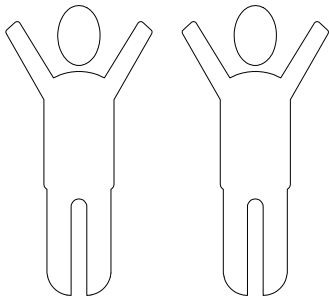



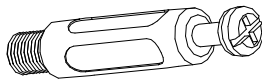
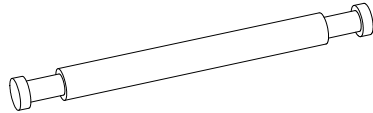
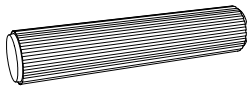
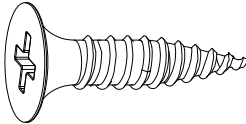
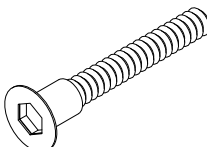
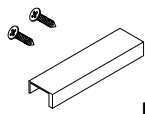
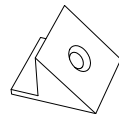
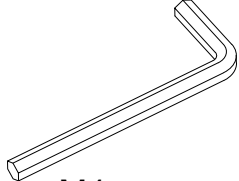

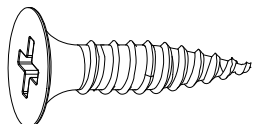
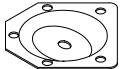
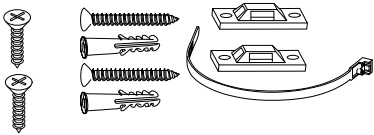
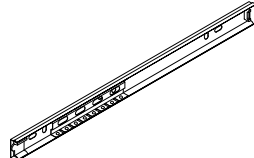
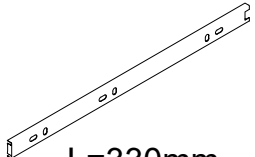
Parts List (EN) / Teile Liste (DE)



<p>①</p> <p>1PCS</p>	<p>②</p> <p>1PCS</p>	<p>③</p> <p>1PCS</p>
<p>④</p> <p>1PCS</p>	<p>⑤</p> <p>1PCS</p>	<p>⑥</p> <p>4PCS</p>
<p>⑦</p> <p>2PCS</p>	<p>⑧</p> <p>4PCS</p>	<p>⑨</p> <p>6PCS</p>
<p>⑩</p> <p>6PCS</p>	<p>⑪</p> <p>6PCS</p>	<p>⑫</p> <p>6PCS</p>
<p>⑬</p> <p>6PCS</p>	<p>⑭</p> <p>Ø40*150mm</p> <p>4PCS</p>	<p>⑮</p> <p>Ø40*150mm</p> <p>1PCS</p>

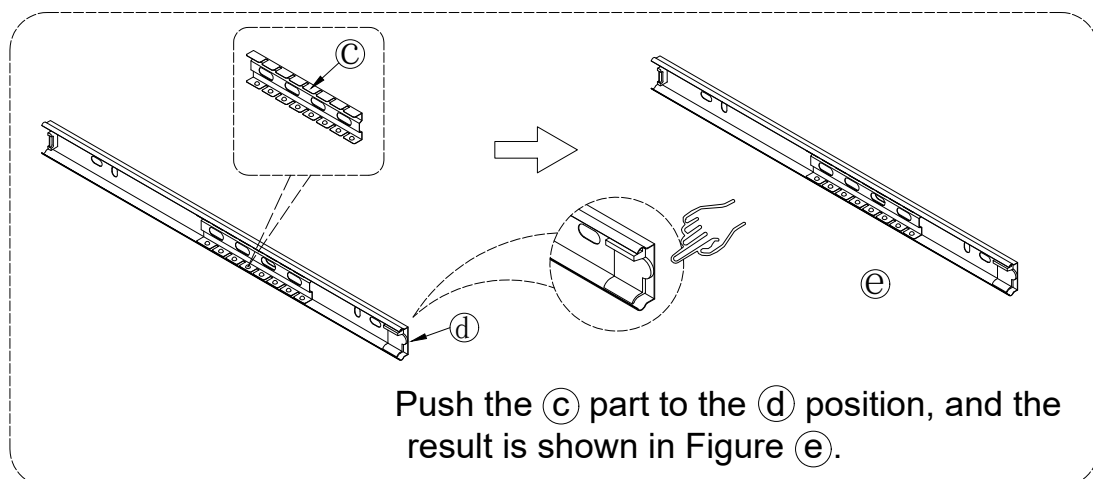
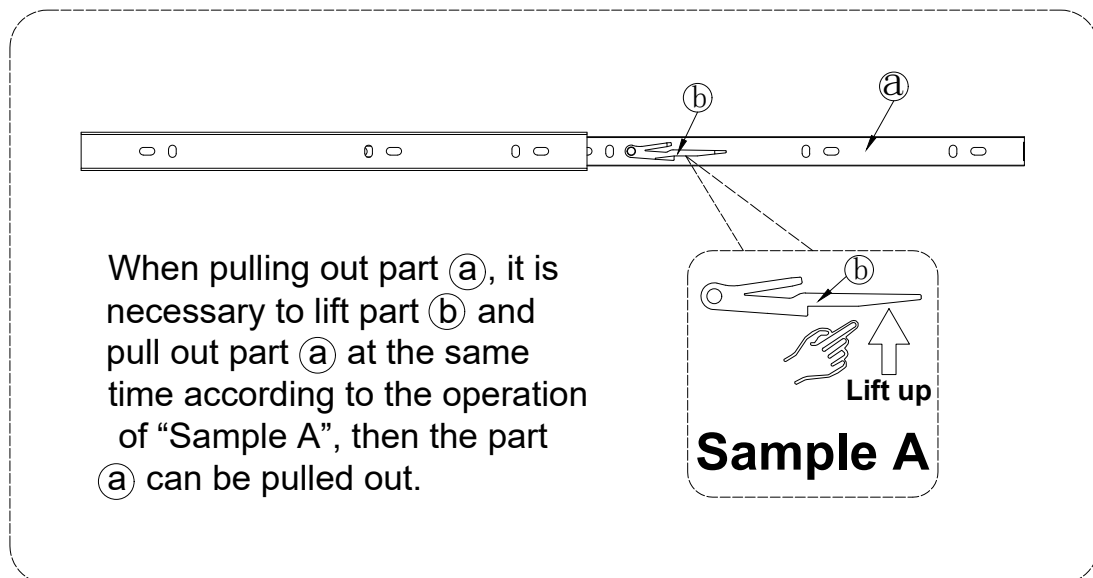
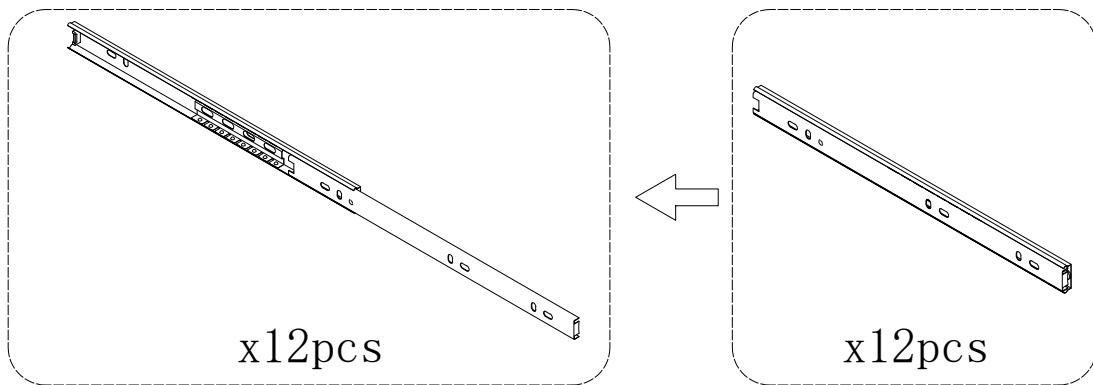
Parts List (EN) / Teile Liste (DE)



<p>A</p>  <p>$\varnothing 15 \times 9.5 \text{mm}$ 60+2PCS</p>	<p>B</p>  <p>$\varnothing 6 \times 35 \text{mm}$ 48+2PCS</p>	<p>C</p>  <p>L=69mm 6PCS</p>
<p>D</p>  <p>$\varnothing 8 \times 30 \text{mm}$ 12+2PCS</p>	<p>E</p>  <p>$\varnothing 3.5 \times 14 \text{mm}$ 16+2PCS</p>	<p>F</p>  <p>ST5*50mm 24+2PCS</p>
<p>G</p>  <p>Handle 6PCS</p>	<p>H</p>  <p>16+2PCS</p>	<p>J</p>  <p>M4 1PC</p>
<p>K</p>  <p>M5*8mm 20+2PCS</p>	<p>L</p>  <p>$\varnothing 3.5 \times 12 \text{mm}$ 48+2PCS</p>	<p>M</p>  <p>4PCS</p>
<p>N</p>  <p>1 set</p>	<p>P</p>  <p>L=330mm 12PCS</p>	<p>Q</p>  <p>L=330mm 12PCS</p>

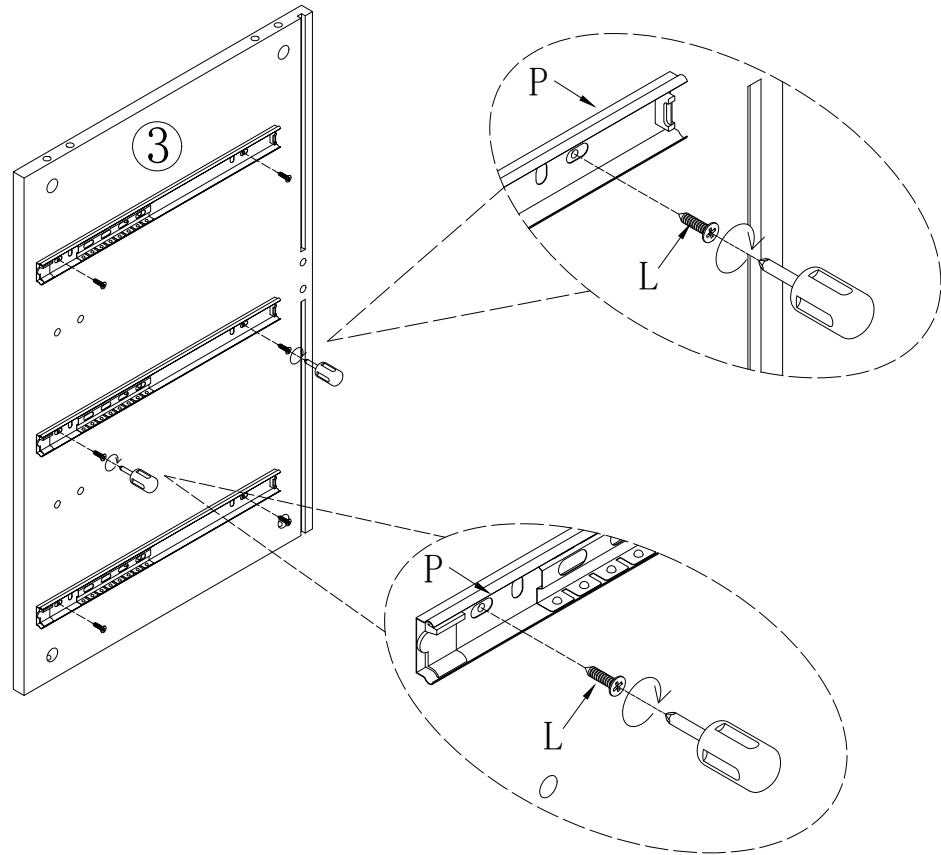
Assembly Steps (EN) /Montageschritte (DE)



Step 1



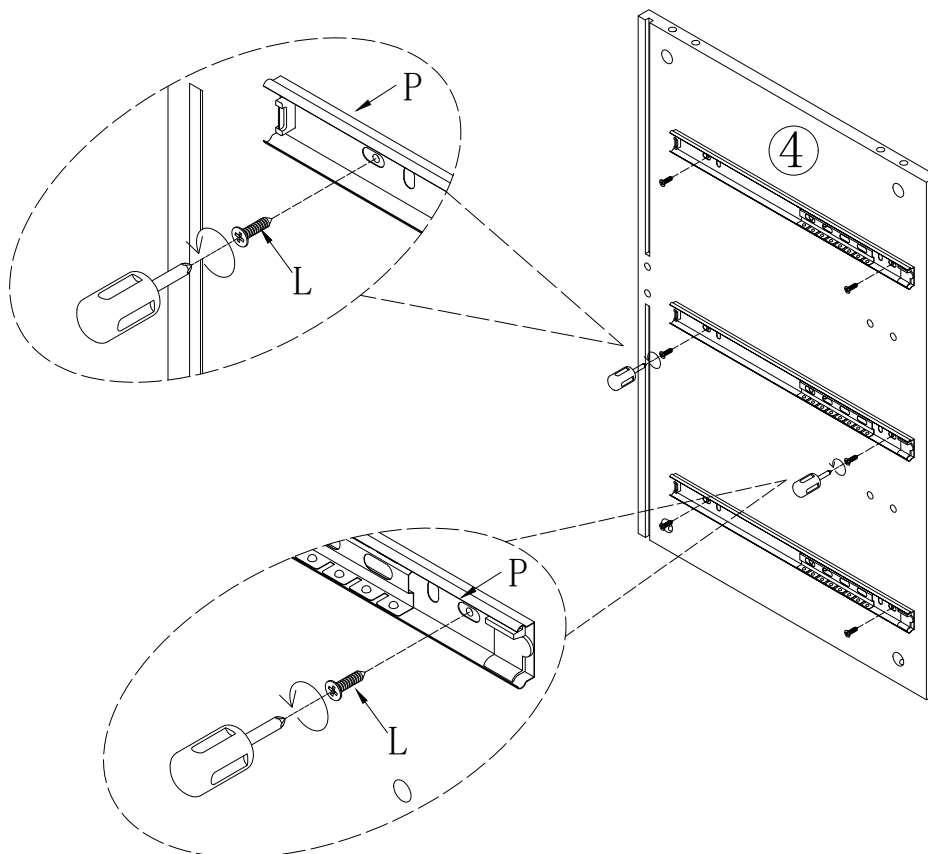
Assembly Steps (EN) /Montageschritte (DE)



Step 2



	Lx6pcs
	Px3pcs

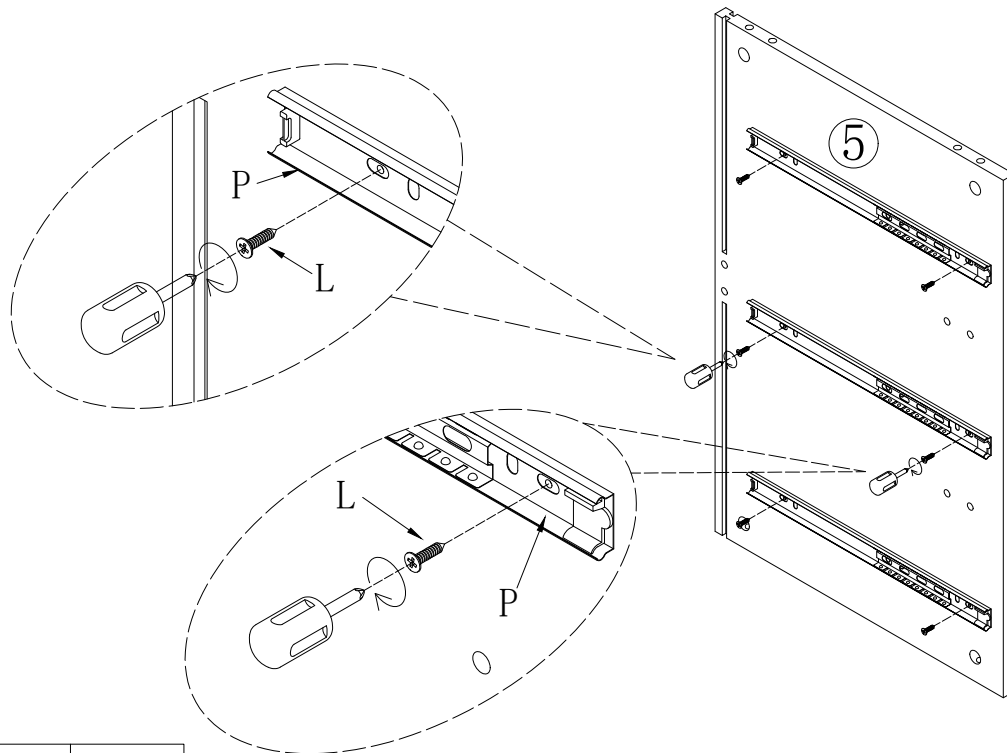
Step 3

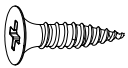



	Lx6pcs
	Px3pcs

Assembly Steps (EN) /Montageschritte (DE)

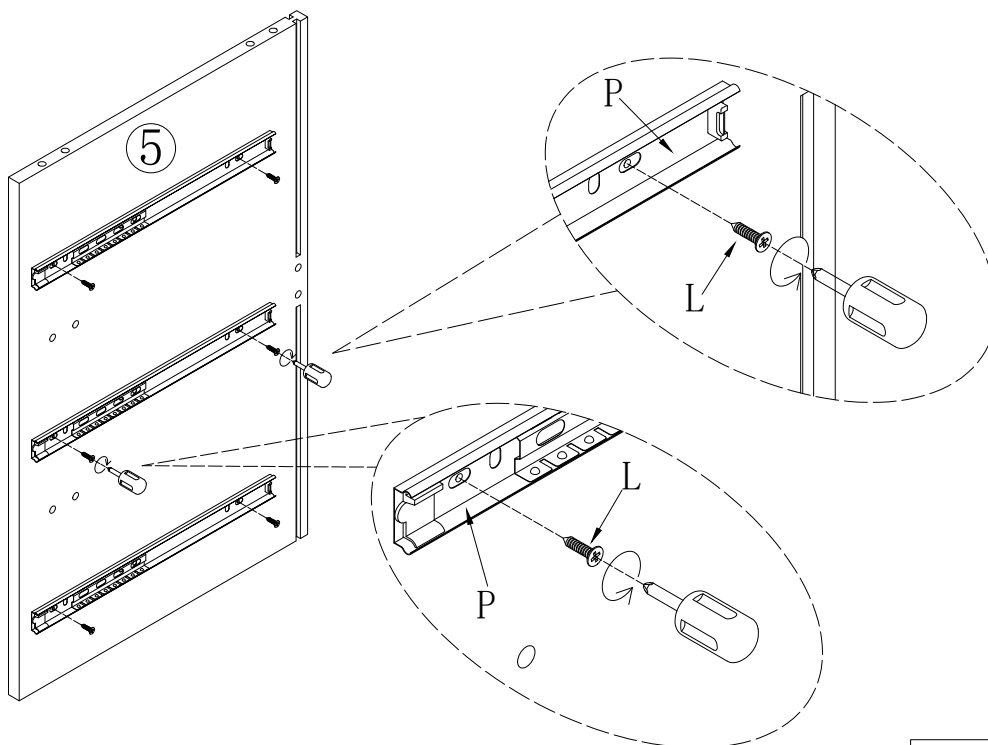
Step 4

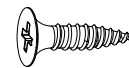



	Lx6pcs
	Px3pcs

Side A

Step 5

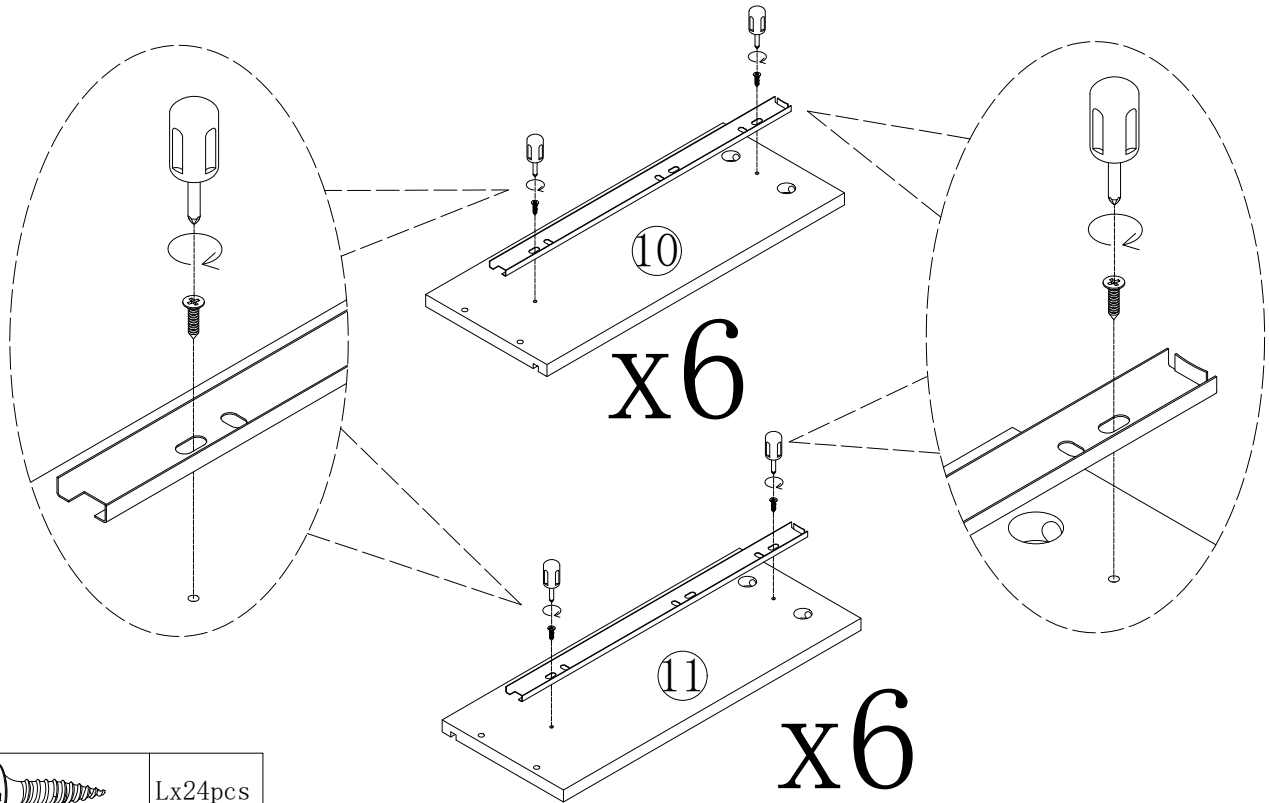


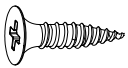
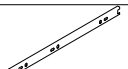
	Lx6pcs
	Px3pcs

Side B

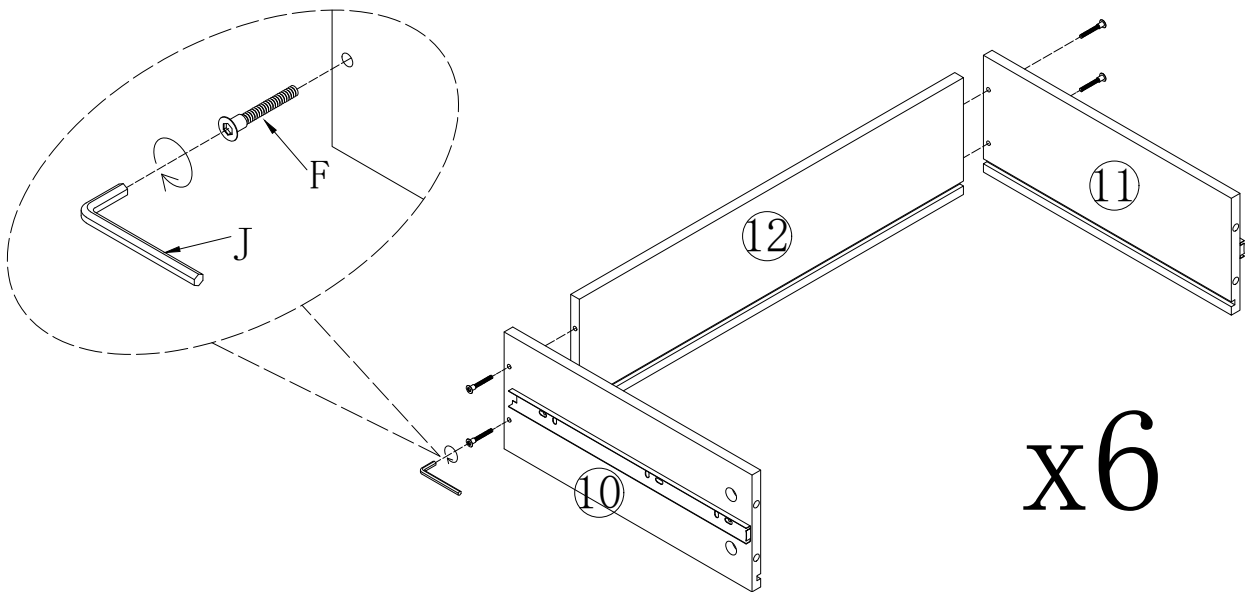
Assembly Steps (EN) /Montageschritte (DE)


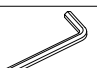
Step 6



	Lx24pcs
	Qx12pcs

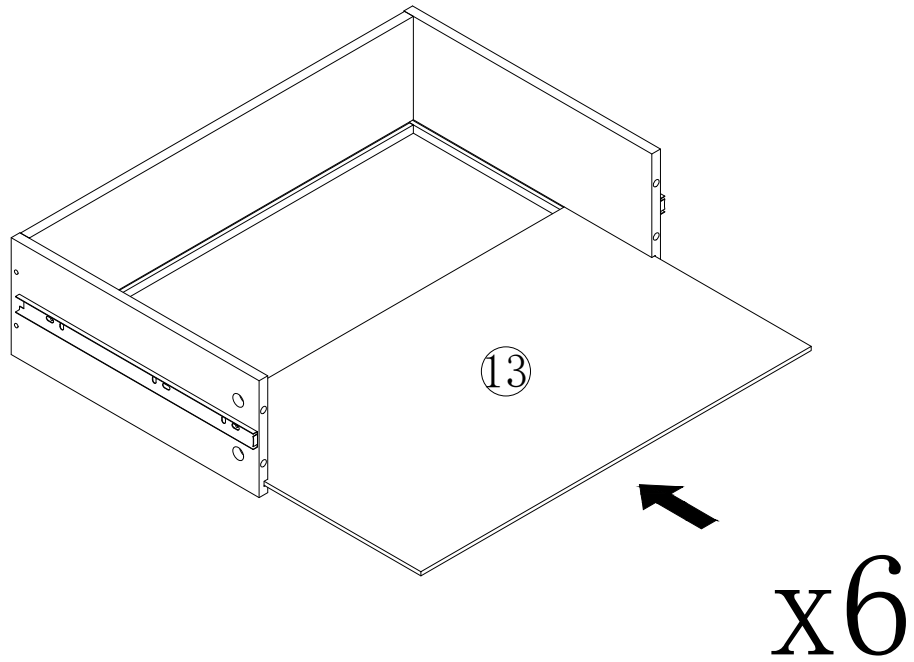
Step 7



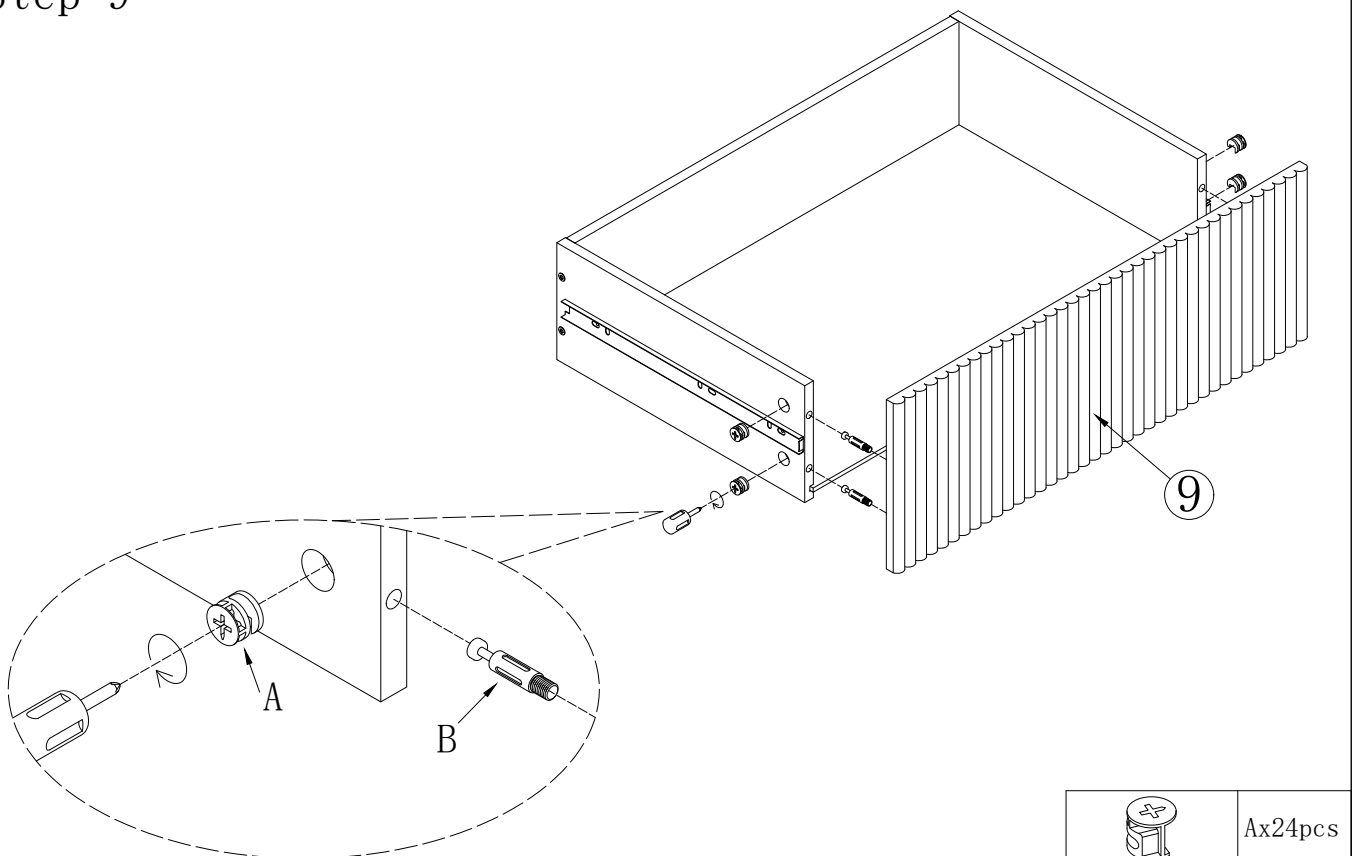
	Fx24pcs
	Jx1pcs



Assembly Steps (EN) /Montageschritte (DE)

Step 8



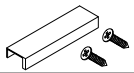
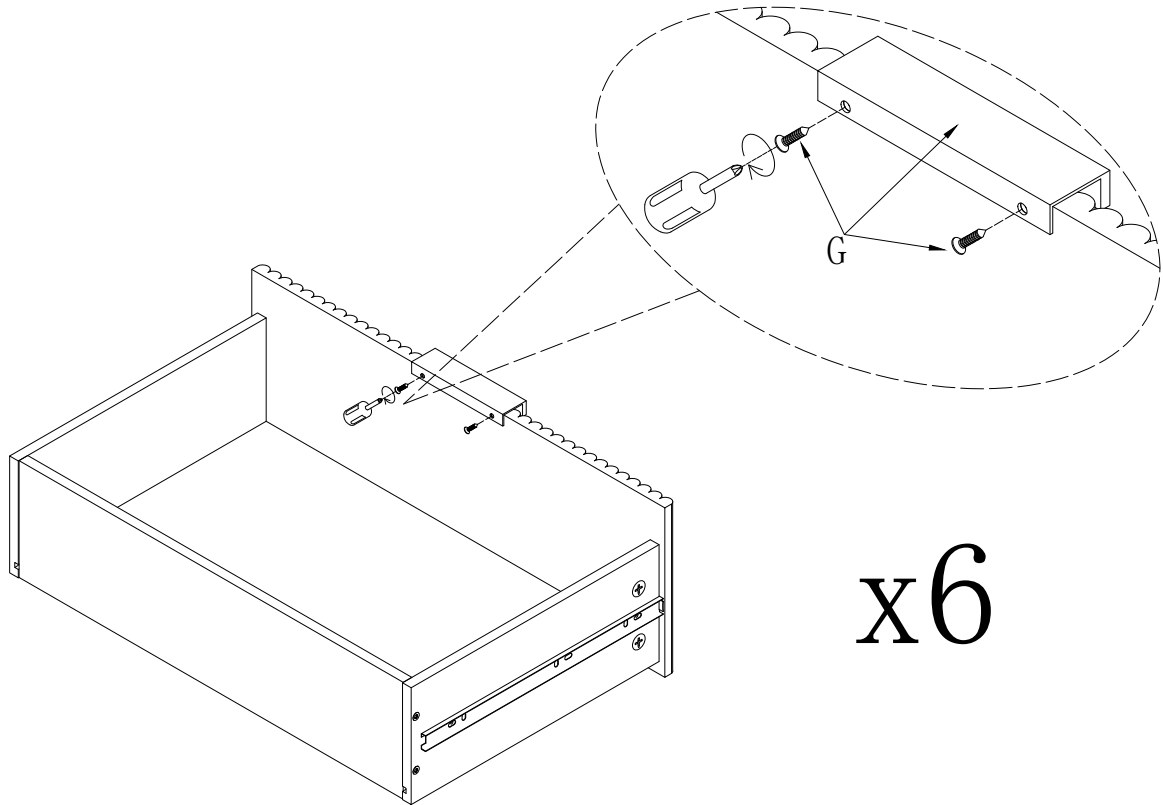
Step 9



	Ax24pcs
	Bx24pcs

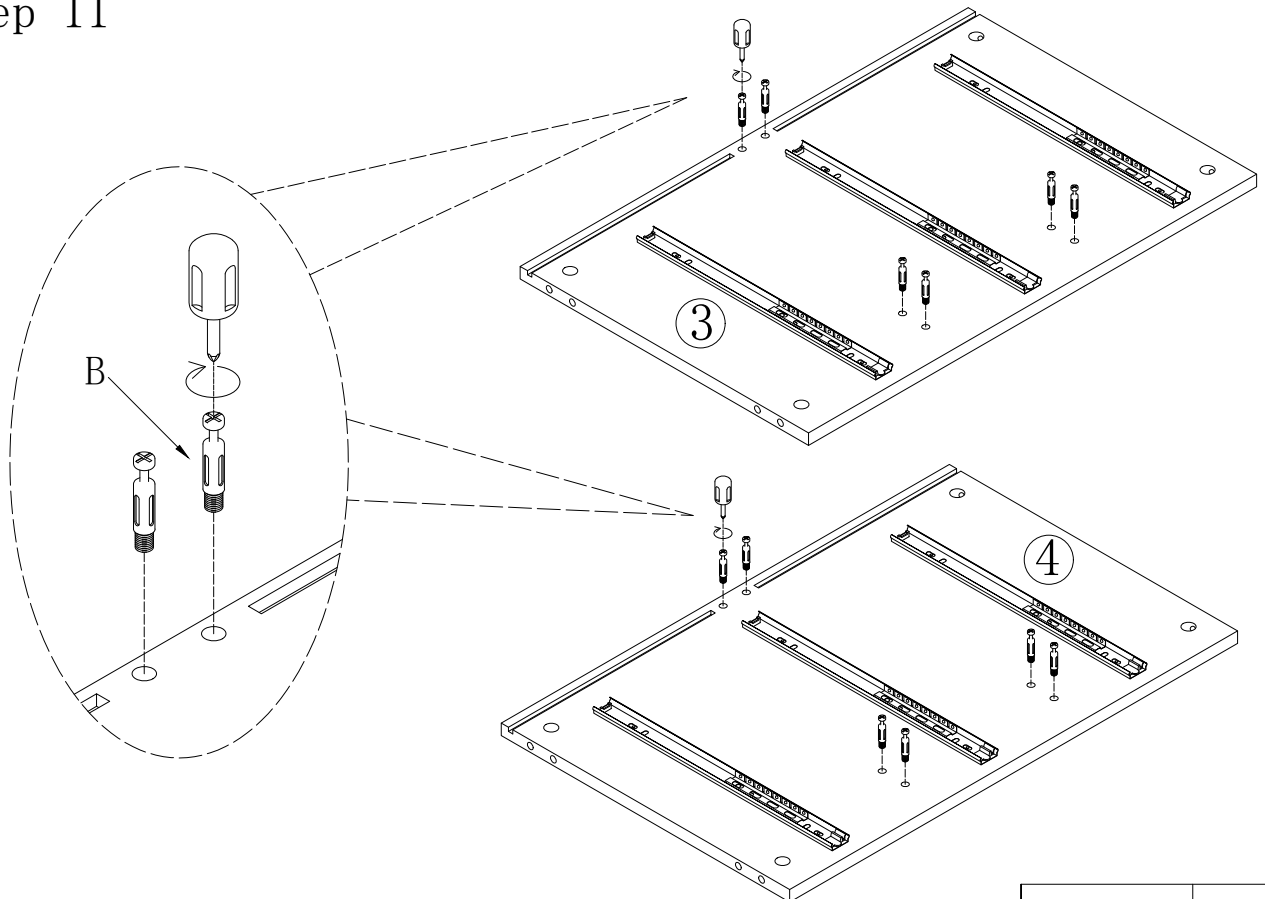
Assembly Steps (EN) /Montageschritte (DE)

Step 10



Gx6pcs

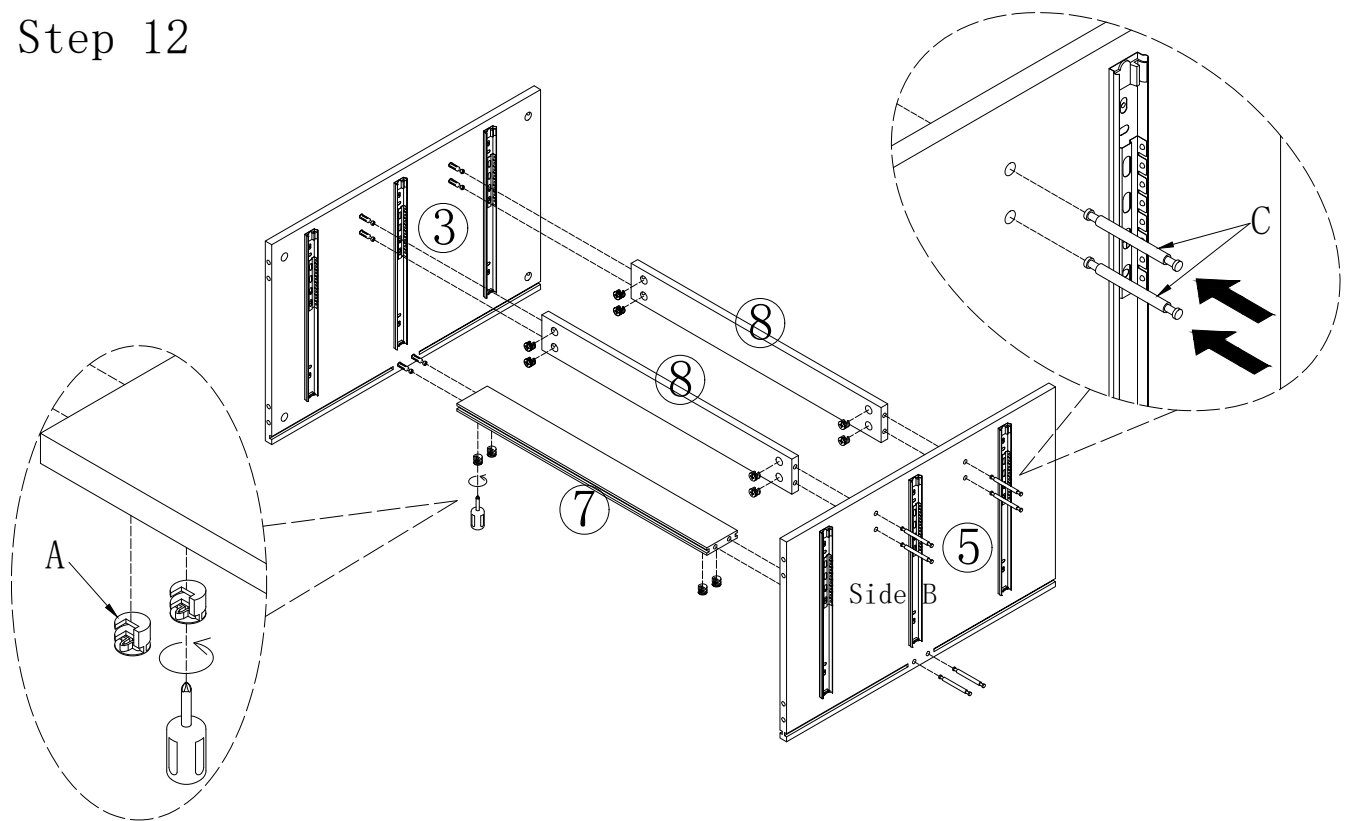
Step 11





Bx12pcs

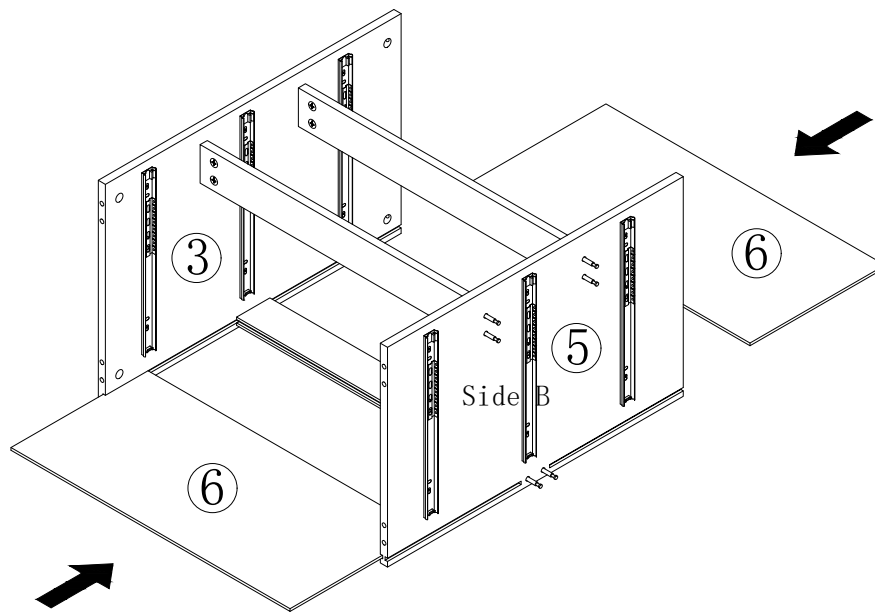
Assembly Steps (EN) /Montageschritte (DE)

Step 12



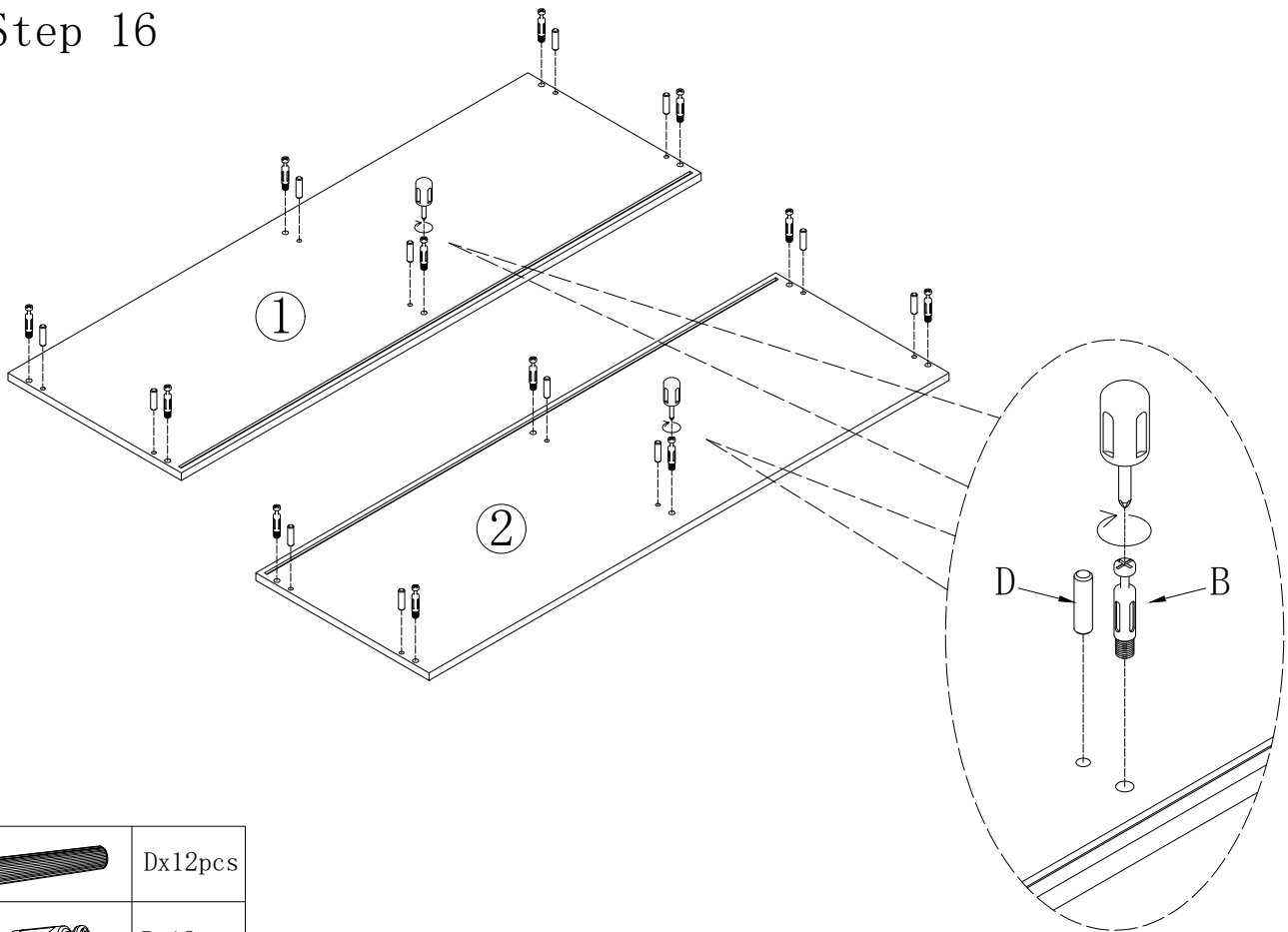
	Cx6pcs
	Ax12pcs



Step 13



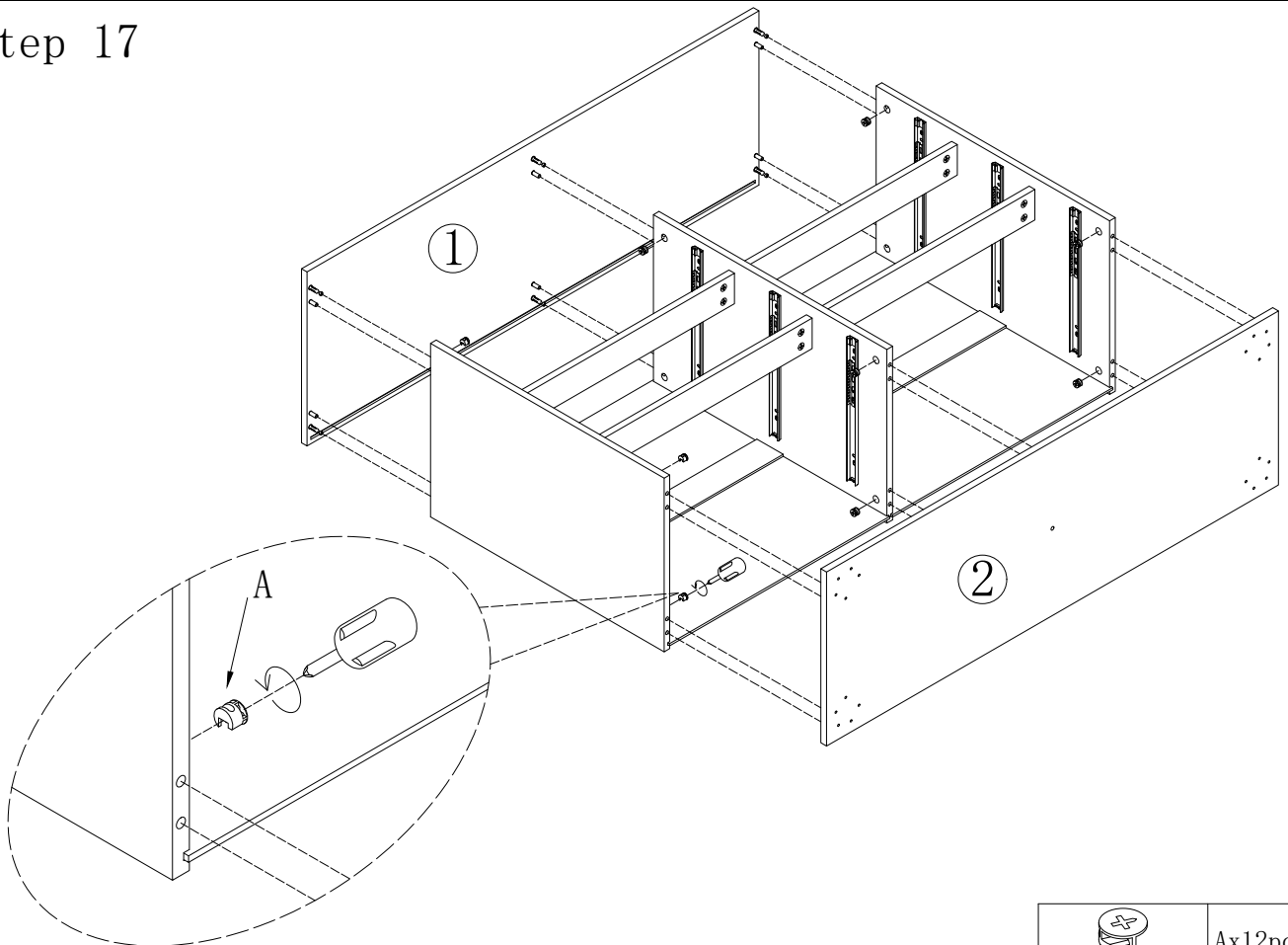
Assembly Steps (EN) /Montageschritte (DE)

Step 16



	Dx12pcs
	Bx12pcs

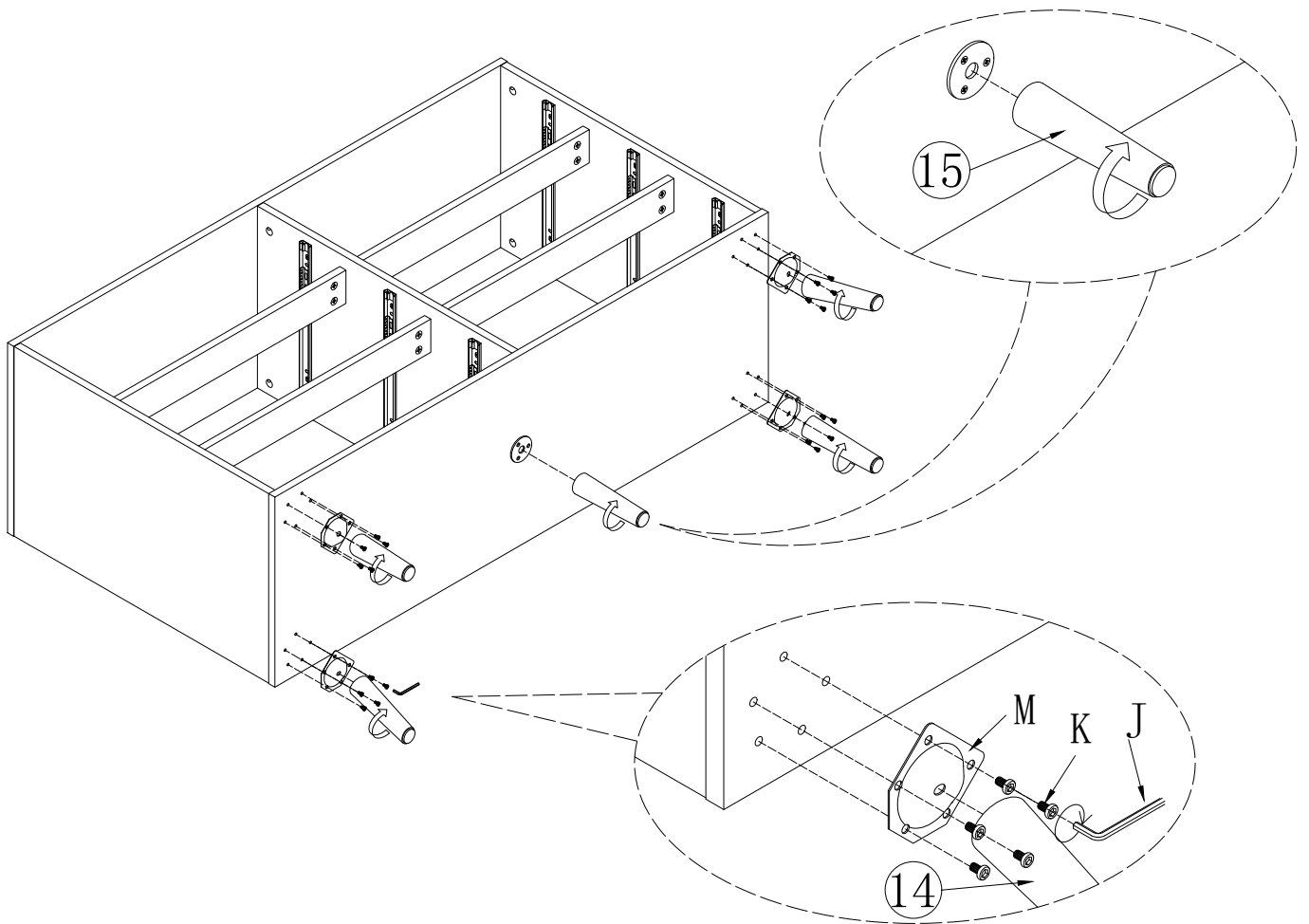
Step 17


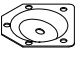



	Ax12pcs
---	---------

Assembly Steps (EN) /Montageschritte (DE)

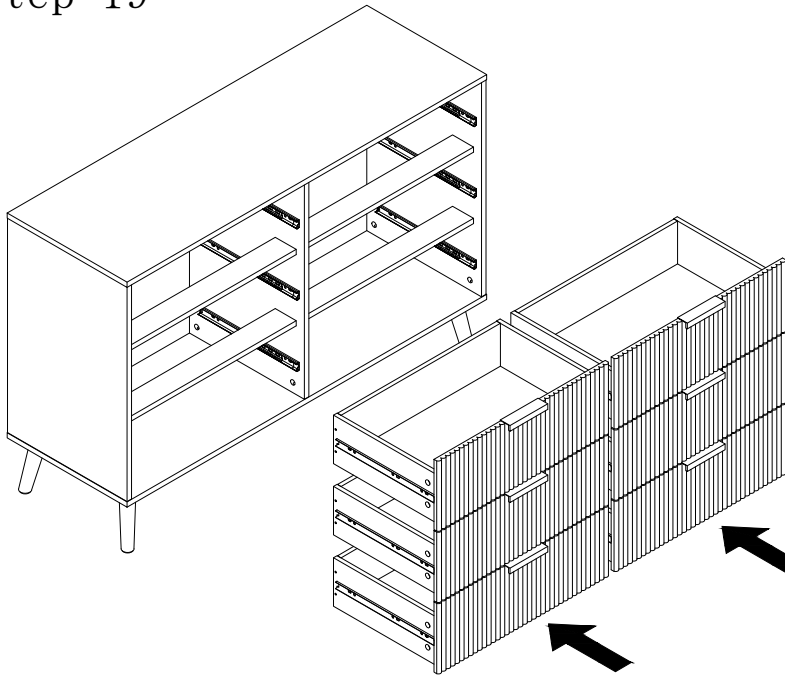
Step 18



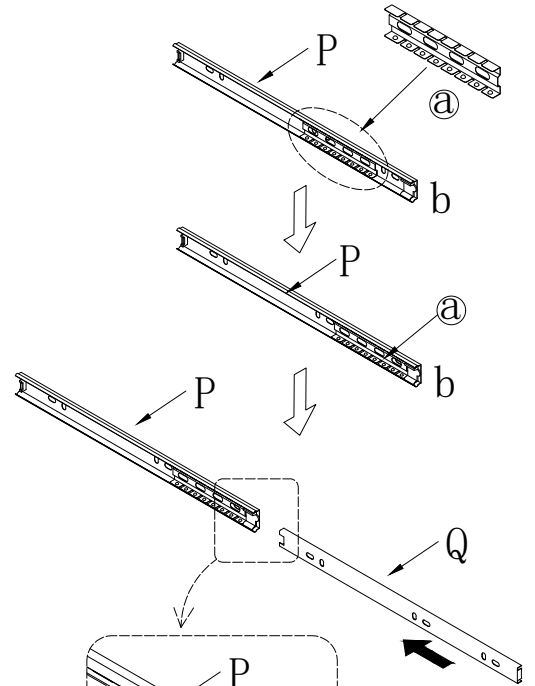
	Kx20pcs
	Mx4pcs
	Jx1pcs

Assembly Steps (EN) /Montageschritte (DE)

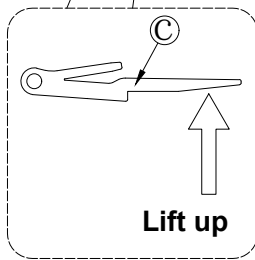
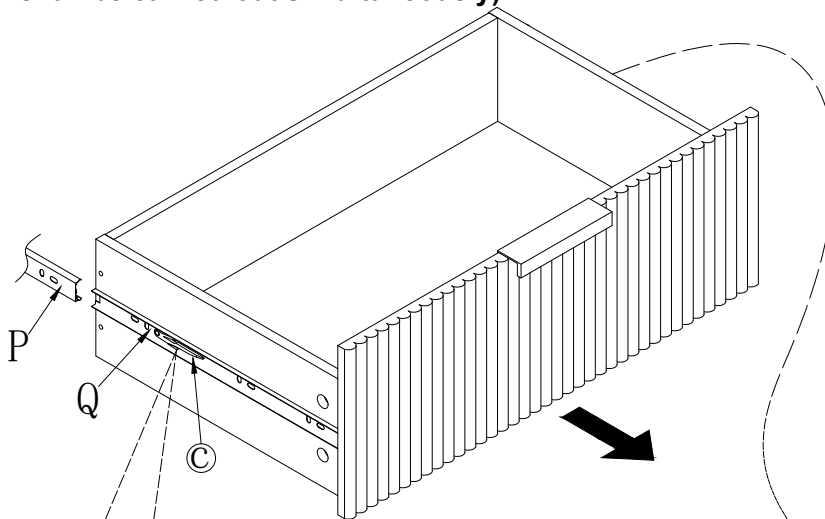
Step 19



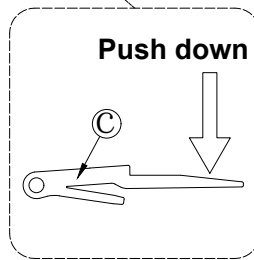
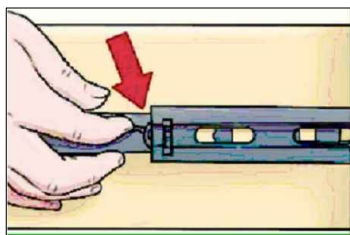
- (1)、 When putting the drawer into the cabinet, first, push the "a" part of P to "b", then point the end of Q at "b", finally, put the drawer into the cabinet as shown in "Sample A";
- (2)、 When removing the drawer, press "Sample B" and "Sample C" as shown, lift the left side of the drawer C part, press the right side of the drawer C part, and pull out the drawer. (The operation of "Sample B" and "Sample C" shall be carried out simultaneously)



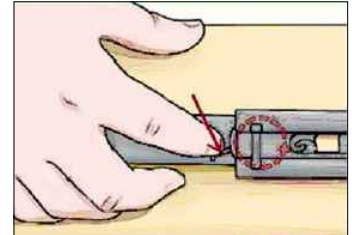
Sample A



Sample B

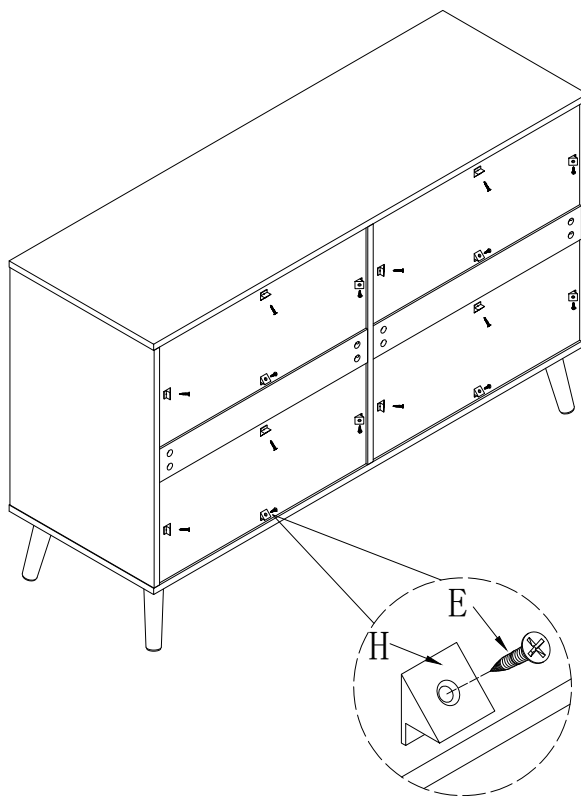




Sample C



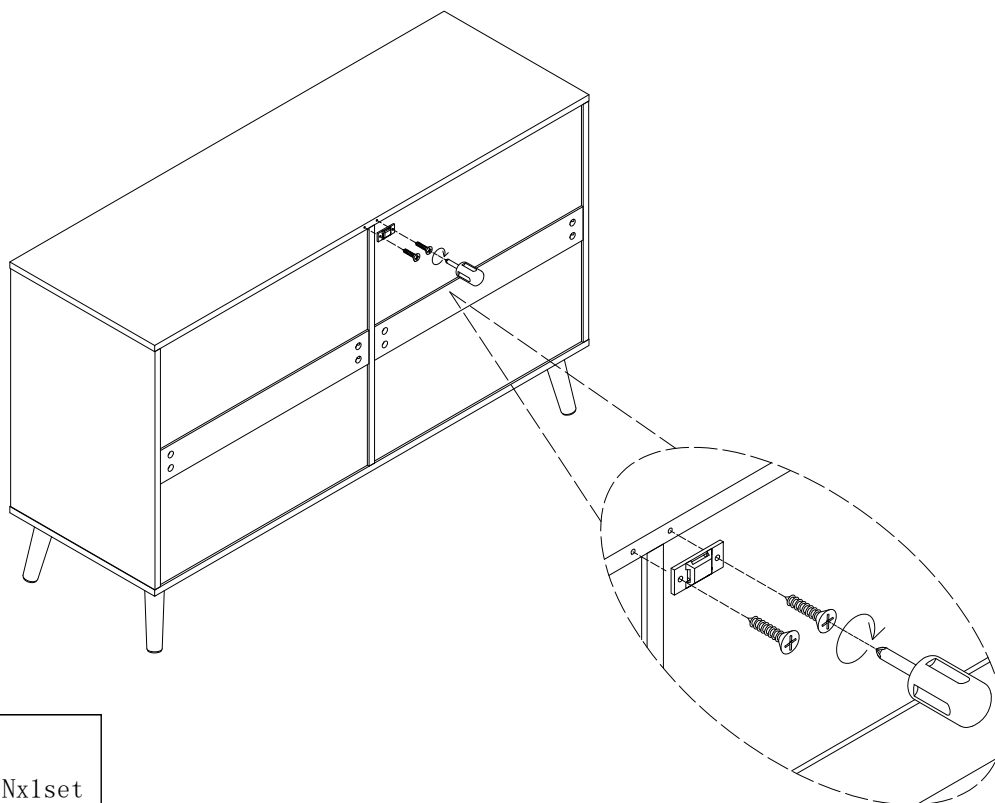
Assembly Steps (EN) /Montageschritte (DE)


Step 20



	Ex16pcs
	Hx16pcs

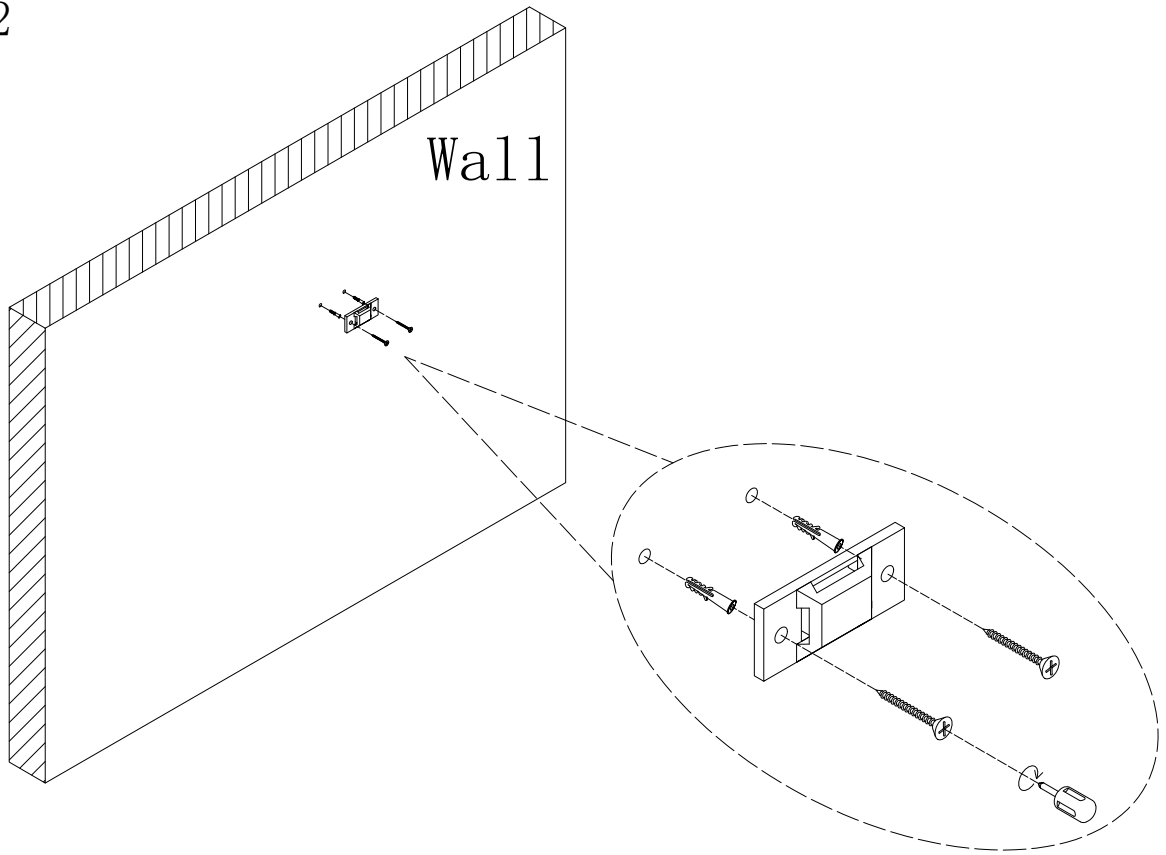
Step 21



	Nx1set
---	--------

Assembly Steps (EN) /Montageschritte (DE)

Step 22



Step 23

