



# SANTAFE™

## LED Wall Pack



Beyond LED's Santa Fe wall pack is the newest, most innovative and feature rich product of 2024. It offers 3 Adjustable wattages and 3 Adjustable CCT with energy-efficient LED technology. Santa Fe luminaires comes with die cast aluminum housing and glass lens to stand up for many years of punishing environmental conditions

### Product Features

- Up to 130 lumens per watt
- Wattage Adjustable 76W / 105W / 125W
- CCT Adjustable 3000K / 4000K / 5000K
- 0-10V Dimmable
- IP65 Rated
- Driver Surge Protection 4-6KV
- Housing Bronze
- Input Voltage: 120-277V
- UL & DLC Listed
- 5 Year Warranty

# SANTAFE™

## LED Wall Pack



SKU	Model #	Wattage Adjustable	Lumens Adj.	CCT Adj.	Dimming	Input Voltage	Housing	Certifications
156868	BLTWPE125WSCSALVP	76W/105W/125W	16250LM	3K/4K/5K	0-10V	120V-277V	Bronze	UL & DLC

### SKU: 156868 Specifications

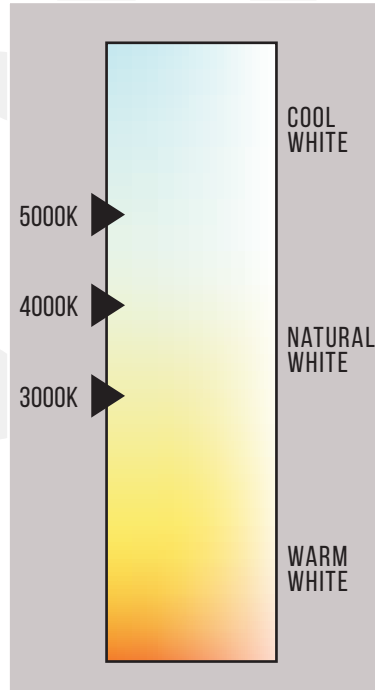
Parameter	Description	Value
General Performance	Model #	BLTWPE125WSCSALVP
	Wattage Adjustable	76W / 105W / 125W
	Lumens	16250Lm
	Lumen Efficacy	Up to 130LM/W
	Color Temperature	3000K / 4000K / 5000K
	CRI (Ra)	>70
	Beam Angle (50%)	97.3° Degree
	Diffuser	Glass
Electrical	Input Voltage	120-277Vac
	Frequency	50/60Hz
	PF	≥0.9
	THD	<10
	Driver Model	AL-120NBS-130DAFO
Physical	Driver Surge protection	4-6KV
	Dimming	0-10V Dimmable
	Operating Temperature	-40°C TO 50°C
	Storage Temperature	-40°C - 100°C
	Operating Humidity	10%RH-90%RH
	Storage Humidity	-10°C - 65°C 10%RH-90%RH
	LED Brand	Nationstar
	LED Type	SMD2835
	LED Qty	448 Pcs
	Housing	Die-Cast Aluminum
Qualification	Housing Color	Bronze
	Waterproof Rating	IP65
	Warranty	5 Year



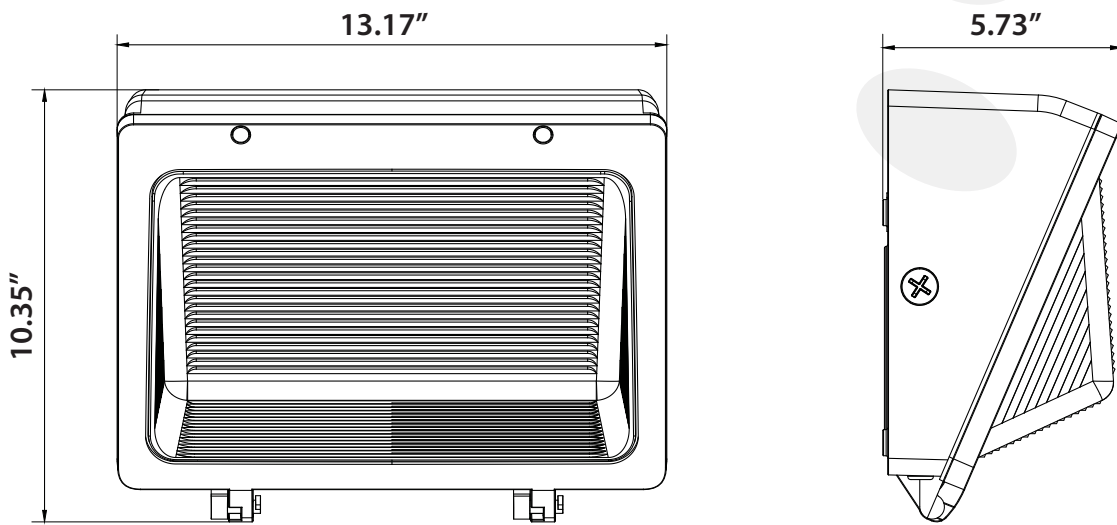
# SANTAFE™

## LED Wall Pack

### Correlated Color Temperature (CCT)



### Dimensions

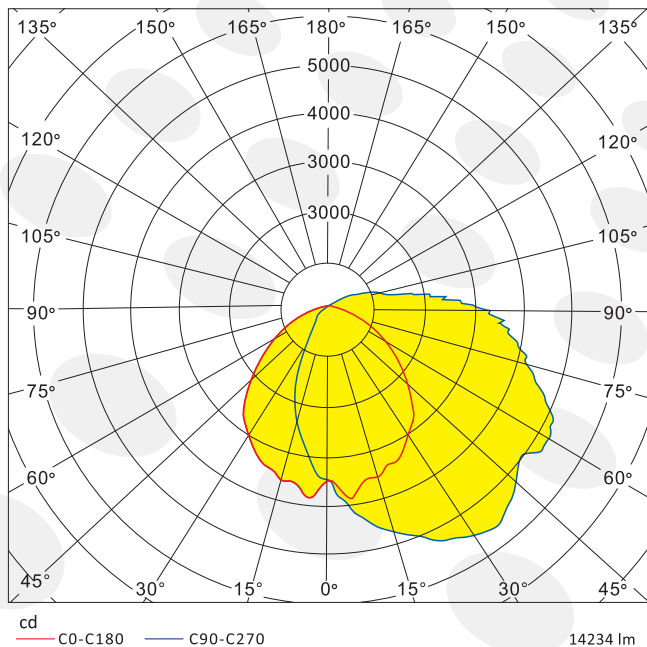


# SANTAFE™

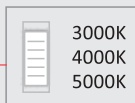
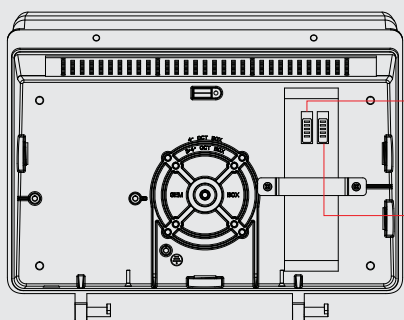
## LED Wall Pack



### Photometric Data

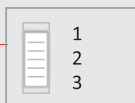


### Wattage Selecon And CCT Selecon Capability



#### CCT Setting

Adjust CCT between 3000/4000/5000K, 5000K default setting



#### Power Setting

Power Selection	Default Setting
Adjust power between 63/53/33W	63W
Adjust power between 90/76/45W	90W
Adjust power between 125/105/76W	125W

### Optional Accessories

#### Emergency Battery Backup

Factory-Installable OR Field-Installable (field-installable purchased separately)



**XEBB24-8WDC**  
 Emergency Battery Backup  
 ES-EOC08-02S-HV-S -8W/90min,  
 for XWPE at AC120-277V/347V

#### Control Options

Comes as standard



**XPC-B**  
 Photocell -With Sunshade Cover



# SANTAFE™

## LED Wall Pack

### Installation

#### Please read this manual carefully before using the product

Upon receipt of fixture, thoroughly inspect for any freight damage. All damage should be reported to the delivery carrier. Compare the catalog description listed on the packing slip with the fixture label on the inside of the housing to be sure you have received the correct merchandise.

#### READ AND FOLLOW THESE SAFETY INSTRUCTIONS!

- To reduce the risk of death, personal injury or property damage from fire, electric shock, falling parts, cuts/abrasions, and other hazards please read all warnings and instructions included with and on the fixture box and all fixture labels.
- Before installing, servicing, or performing routine maintenance on this equipment, follow these general precautions.
- Commercial installation, service and maintenance of luminaires should be performed by a qualified licensed electrician.
- For Residential installation: If you are unsure about the installation or maintenance of the luminaires, consult a qualified licensed electrician and check your local electrical code.
- Maintenance of the luminaires should be performed by person(s) familiar with the luminaires' construction and operation and any hazards involved. Regular fixture maintenance programs are recommended.
- This fixture is intended to be connected to a properly installed and grounded UL listed junction box.
- It will occasionally be necessary to clean the outside of the refractor/lens. Refractor/lens should be washed in a solution of warm water and any mild, non-abrasive household detergent, rinsed with clean water and wiped dry. Should optical assembly become dirty on the inside, wipe refractor/lens and clean in above manner, replacing damaged gaskets as necessary.
- DO NOT INSTALL DAMAGED PRODUCT! This luminaire has been properly packed so that no parts should have been damaged during transit. Inspect to confirm.
- Any part damaged or broken during or after assembly should be replaced.
- These instructions do not purport to cover all details or variations in equipment nor to provide every possible contingency to meet in connection with installation, operation, or maintenance. Should further information be desired or should particular problems arise which are not covered sufficiently for the purchaser's or owner's purposes, this matter should be referred to manufacturer.

#### WARNING

##### RISK OF ELECTRIC SHOCK

- ▶ Disconnect or turn off power before installation or servicing.
- ▶ Verify that supply voltage is correct by comparing it with the luminaire label information.
- ▶ Make all electrical and grounded connections in accordance with the National Electrical Code (NEC) and any applicable local code requirements.
- ▶ All wiring connections should be capped with UL approved wire connectors.

#### CAUTION

##### RISK OF INJURY

- ▶ Wear gloves and safety glasses at all times when removing luminaire from carton, installing, servicing or performing maintenance.
- ▶ Avoid direct eye exposure to the light source while it is on.

# SANTAFE™

## LED Wall Pack



### Installation

#### WARNING

##### RISK OF BURN

- ▶ Allow lamp/fixture to cool before handling. Do not touch enclosure, lens or light source.
- ▶ Do not exceed maximum wattage marked on luminaire label.
- ▶ Follow all manufacturer's warnings, recommendations and restrictions including but not limited to: driver type, mounting locations/methods, replacement and recycling.
- ▶ Use only lamps that comply with ANSI standards.

#### CAUTION

##### RISK OF INJURY

- ▶ Keep combustible and other materials that can burn, away from lamp/lens.
- ▶ Do not operate in close proximity to persons, combustible materials, or substances affected by heat.

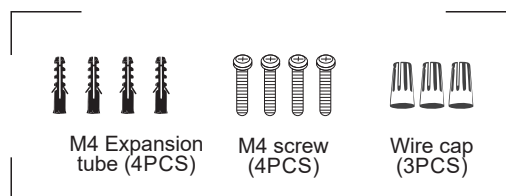
#### CAUTION

##### RISK OF PRODUCT DAMAGE

- ▶ Never connect components under load.
- ▶ Do not mount or support these fixtures in a manner that can cut the outer jacket or damaged wire insulation.
- ▶ Unless individual product specifications deem otherwise: Never connect an LED product directly to dimmer packs, occupancy sensors, timing devices, or other control devices. LED fixtures must be powered directly off a switched circuit.
- ▶ Unless individual product specifications deem otherwise: Do not restrict fixture ventilation. Allow for some volume of airspace around the fixture. Avoid covering LED fixtures with insulation, foam, or other material that will prevent convection or cooling.
- ▶ Unless individual product specifications deem otherwise: Do not exceed fixtures' maximum ambient temperature.
- ▶ Only use the fixture in its intended location.
- ▶ LED products are polarity sensitive. Ensure proper polarity before installation.
- ▶ Electrostatic Discharge (ESD): ESD can damage LED fixtures. Personal grounding equipment must be worn during all installation or servicing of the unit.
- ▶ Do not touch individual electrical components as this can cause ESD, shorten lamp life, or alter performance.
- ▶ Some components inside the fixture may not be serviceable. If your unit may requires service, stop using the unit immediately and contact an manufacturer for assistance.
- ▶ Changes or modifications not expressly approved by manufacturer will void the product warranty.
- ▶ Always read the fixtures' complete installation instructions prior to installation for any additional fixture-specific warnings.

### » Parts List

1. Wallpack light.
2. Installation Instruction.
3. Installation hardware.





# SANTAFE™

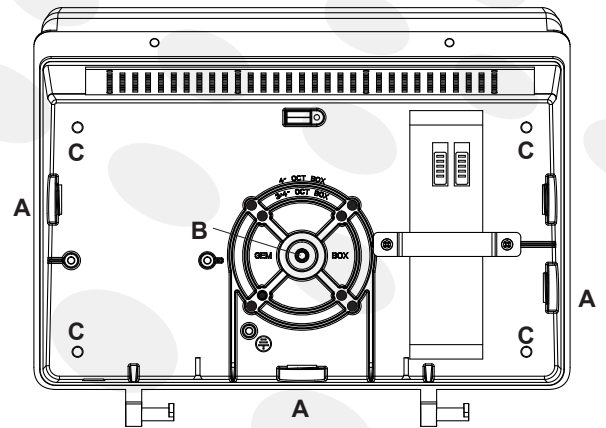
## LED Wall Pack

### Installation

Please read this manual carefully before using the product

#### » Junction Box Mounting

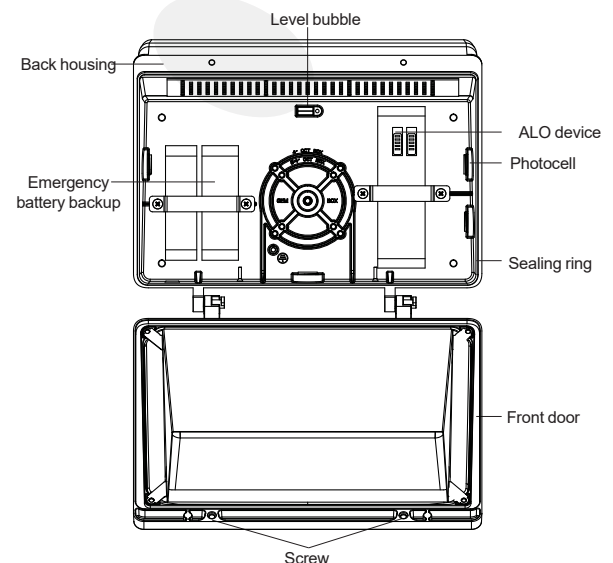
1. Loosen the 2 captive screws in the front housing, using the 1/8" Allen wrench.
2. Remove the front door carefully from the back housing. The door needs to be opened more than 90° to disengage the hinges. Set the door aside on a clean surface, to avoid any damage or scratches.
3. Drill the 1/2" knockout hole (B) in the center for wiring, the fixture supports standard 3/4" and 4" Junction boxes. Be careful not to touch the LEDs or damage the internal components in any way.
4. Feed the supply wires through the center knock out hole.
5. Install the back housing directly to the wall (recommended) using the wall anchor holes and appropriate screws. When installing a junction box, make sure it is rated for the weight of the luminaire.
6. Use the supplied gaskets for a weather-tight seal.
7. Finish wiring (Black for Line, White for Neutral, and Green for Ground)
8. If provided with an ALO device, adjust the switch to the required lumen level or CCT setting (use the ALO label as reference), by using a small flat head screwdriver.
9. Replace the front cover. Make sure the hinges are engaged properly.
10. Tighten the 2 captive screws (30-35in lbs). Do not



1. - 1/2" NPS tapped holes (surface conduit or photocell)
2. - 1/2" knockout hole
3. - Screw hole
  - - Screw hole

#### » Conduit Mounting

1. Loosen the 2 captive screws in the front housing, using the 1/8" Allen wrench.
2. Remove the front door carefully from the back housing. The door needs to be opened more than 90° to disengage the hinges. Set the door aside on a clean surface, to avoid any damage or scratches.
3. Remove the 1/2" plug (A) from where you intend to feed the conduit. Be careful not to touch the LEDs or damage the internal components in any way.
4. Thread the power cord through the 1/2" NPS tapped hole.
5. Drill out the holes (C) to secure it on the wall by choosing the proper screws (not provided). Use the supplied gaskets for a weather-tight seal.



# SANTAFE™

## LED Wall Pack



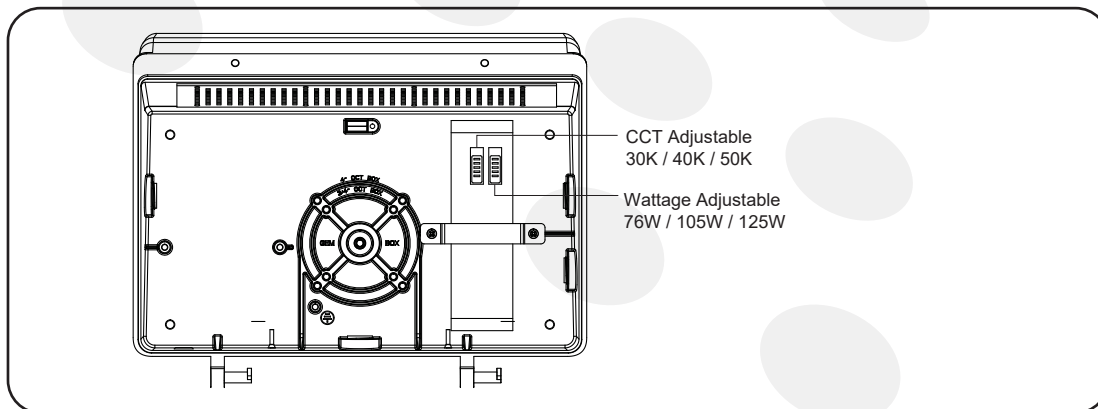
### Installation

6. Finish wiring (Black for Line, White for Neutral, and Green for Ground).
7. If provided with an ALO device, adjust the switch to the required lumen level or CCT setting (use the ALO label as reference), by using a small flat head screwdriver.
10. Replace the front cover. Make sure the hinges are engaged properly.
11. Tighten the 2 captive screws (30-35in lbs). Do not over-tighten. Over-tightening will cause stripping and void all warranties.

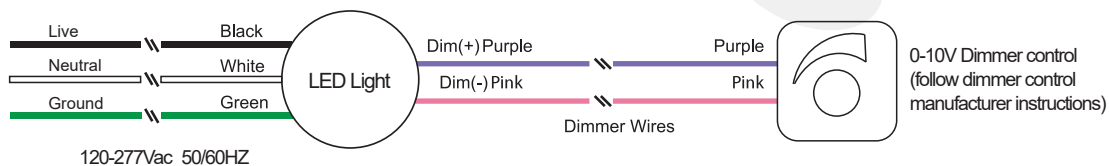
### TROUBLE SHOOTING

1. Check that the line voltage at the fixture is correct. Refer to wiring directions.
2. Is the fixture grounded properly.
3. Be sure the photocell, if used, is functioning properly.

### » Wattage & CCT Adjustable



### » WIRING DIAGRAM





# SANTAFE™

## LED Wall Pack

### Packaging

SKU #	Box	Size (Inches)	Qty/Carton	Net Weight/ Carton	Gross Weight/ Carton
156868	Outer Box	16 x 12.36 x 8	1Pc	8.2 LBS	9.7 LBS

### Warranty

5 Years Warranty

# SANTAFE™

LED Wall Pack



## Application Picture



LED WALL PACK