

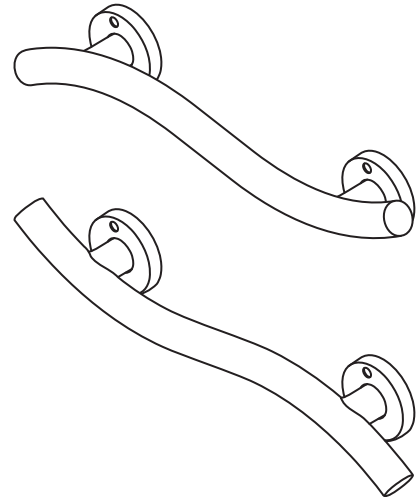
Easy Mount™

Wave Grab Bars

Technical Data Sheet

Product Specification

The product shall be a grab bar with a wavy handle. The product shall have flange covers that conceal the mounting hardware. All components of the product shall be constructed of #304 stainless steel, suitable for use in wet environments. The grab rail portion of the product shall be 1.25" / 3.2cm in diameter. The product shall have a weight capacity of 500lbs / 227kg. Product shall comply with ADA Guidelines, specifying the structural strength of grab bars, tubs and shower seats. The grab rail shall be HealthCraft model WGB-XX-XX-XX (see table below for appropriate product code).



Key Features

- #304 Stainless Steel
- Left and Right Configurations
- Elegant Design with Integrated Support
- Suitable For Use in a Wet Environment
- 500lbs / 227kgs Weight Capacity

Codes and Standards

- ADA 609.2 Cross Section
- ADA 609.3 Spacing
- ADA 609.8 Structural Strength



Specified Model

MODEL	LENGTH	QTY X CONFIG.	AA - FINISH	MATERIAL
WGB-18-LR-AA	19" / 482mm	(2-Pack) 1xLeft + 1xRight	CP (Polished Chrome)	#304 Stainless Steel
WGB-24-LR-AA	24" / 610mm		BS (Brushed Stainless)	
		1xLeft	BLK (Matte Black)	
WGB-18-L-AA	19" / 482mm		CP (Polished Chrome)	
		1xLeft	BS (Brushed Stainless)	
WGB-24-L-AA	24" / 610mm		BLK (Matte Black)	
			GD (Brushed Gold)	
			ORB (Oil Rubbed Bronze)	

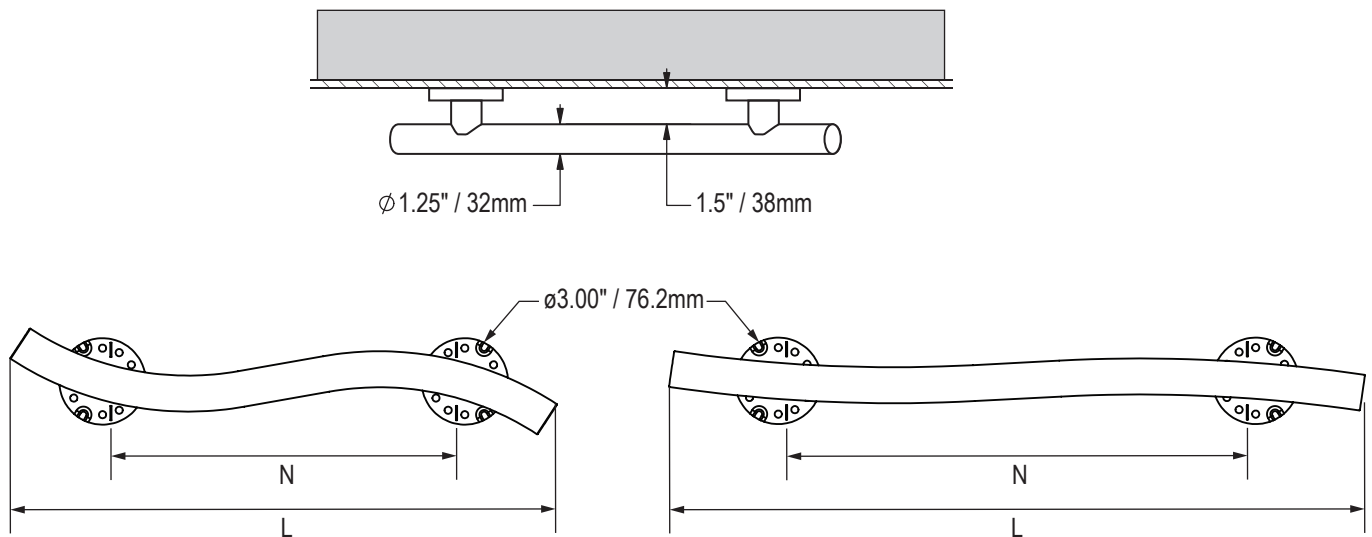
Easy Mount™

Wave Grab Bars

Technical Data Sheet

Product Dimensions

Model	L (Total Length)	N (Notch to Notch)
18	19" / 482mm	12" / 305mm
24	24" / 614mm	16" / 406mm



Shipping Dimensions

Model	Height (H)	Width (W)	Depth (D)	Weight
18-LR	6.3" / 16cm	19.5" / 49.5cm	4.9" / 12.5cm	2.7lbs / 1.2kg
24-LR	6.3" / 16cm	24.6" / 62.5cm	3.3" / 8.5cm	3.2lbs / 1.5kg
18-L	3.15" / 8cm	19.3" / 49cm	4.7" / 12cm	1.35lbs / 0.6kg
24-L	3.15" / 8cm	24.6" / 62.5cm	3.3" / 8.5cm	1.6lbs / 0.75kg

