

Product ID. QBXP2



Scan for Support
support@garvee.com



Distributed by
GARVEE.com

V2603139TI8

CONTENTS

01 PRODUCT INSTALLATION
NOTES

02 PRODUCT INTROSUCTION

03 SAFETY WARNINGS

04
? INSTALLATION
12

13 FAQ

PRODUCT INSTALLATION NOTES

Specification

IMPORTANT SAFETY NOTICE: READ CAREFULLY BEFORE BEGINNING ASSEMBLY!

- ※ Always use proper tools.
- ※ Follow the assembly steps in order. Do not skip any steps.
- ※ Be sure to check all packing materials carefully for small parts may have come loose inside the carton during shipment. If parts are missing, contact the retailer from which you purchased the product to obtain any missing parts.
DO NOT USE SUBSTITUTE PARTS.
- ※ Periodically check to ensure that all connectors (bolts, screws, etc.) are tight. Keep the instructions for future reference.
- ※ Some assembly may involve attaching glass or mirrors. Be very careful handling the glass or mirrors, as severe injury may result if the glass or mirror breaks. Never handle large pieces of glass or mirrors by yourself.
- ※ When assembling products that have electric cords (lamps, lights, etc.), always (1) make sure the electrical cord is unplugged before assembly and (2) be careful not to twist the electrical cord during assembly.
- ※ When assembling shelves or entertainment centers, do not stand on lower shelves in order to assemble upper shelves—use a step ladder.
- ※ Do not stand on tables, including but not limited to, end tables, coffee tables, and dining tables as tables are not meant to support the weight of a person.
- ※ Where assembly instructions state that assembly requires two or more people, do not attempt assembly by yourself as there is a risk of injury.

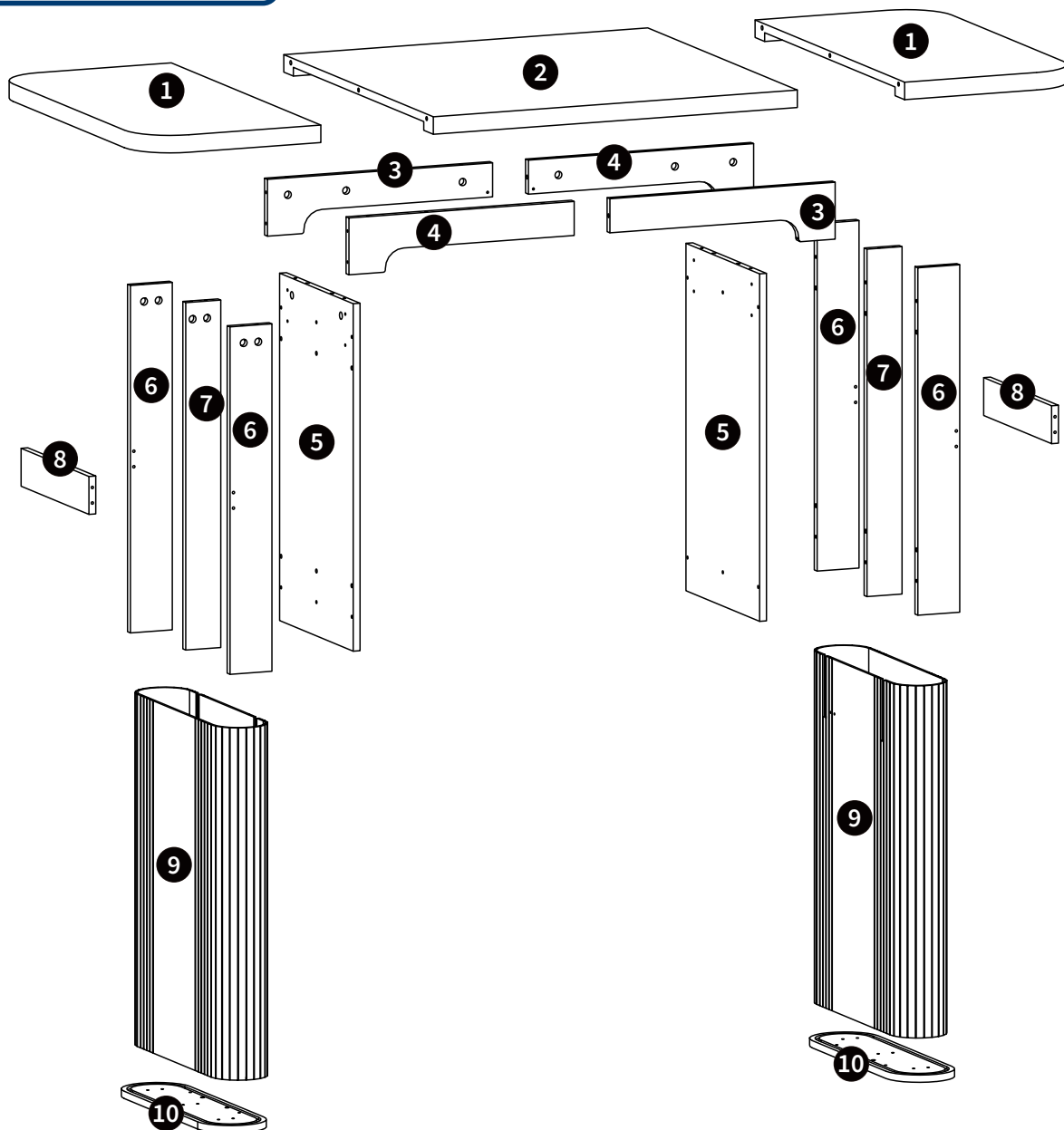
NOTE: YOUR UNIT MAY LOOK DIFFERENT IN APPEARANCE FROM THE ONE SHOWN IN THE ILLUSTRATIONS ON THIS INSTRUCTION SHEET.

PRODUCT INTRODUCTION

Specification

Product Name	Table
Model / SPU	PHK_376T
Product Size	158x78x75cm(62.20"x30.71"x29.53")
Weight	38 kgs(83.78 lbs)

Components



SAFETY WARNINGS

Safety Definitions

IMPORTANT SAFETY INFORMATION

Please carefully read the instructions and caution warnings below before assembling the product. Following this guide will ensure that you install, use and maintain the product properly.

- ※ Please keep this installation and user manual/instructions for future reference in case you need to assemble the product.
- ※ Do not assemble if you notice serious damage such as cracks or bends.
- ※ During installation, please use work gloves for hand safety.
- ※ Please assemble the unit on carpeted floor or the flat cardboard box to avoid scratching the surface or your floor while assembling on the floor.
- ※ To assemble, please use the complimentary installation tools (Allen Wrench). Pay more attention to the direction of components at each step.
- ※ It is recommended that two people work together to assemble the product.
- ※ Please do not tighten the screws up too much, just to 80% before you finish to make the installation go on successfully.

RETURN POLICY







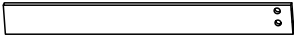
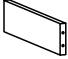


We believe you will absolutely love your new product. But for some reason you want to return your item, please contact us within 30 days after receiving and ensure that the product which you want to return is in a good condition in the original box with all original certificates of purchase, manuals and accessories attached.

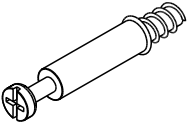
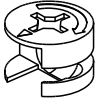
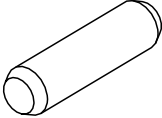
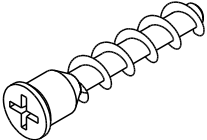
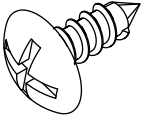
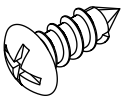
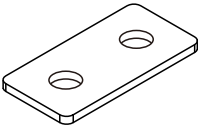
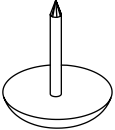
HOW TO MAINTAIN YOUR PRODUCT:

- ※ Check the screws of the product are not loose from regular use.
- ※ Do not use sharp instruments, rubbing alcohol, corrosive chemicals, or abrasive cleaners to clean the product.
- ※ Do not keep the product in a damp environment for a long period of time. The damp environment may cause the iron components to rust and the plates to bulge and crack.

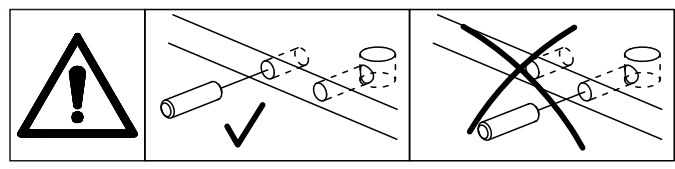
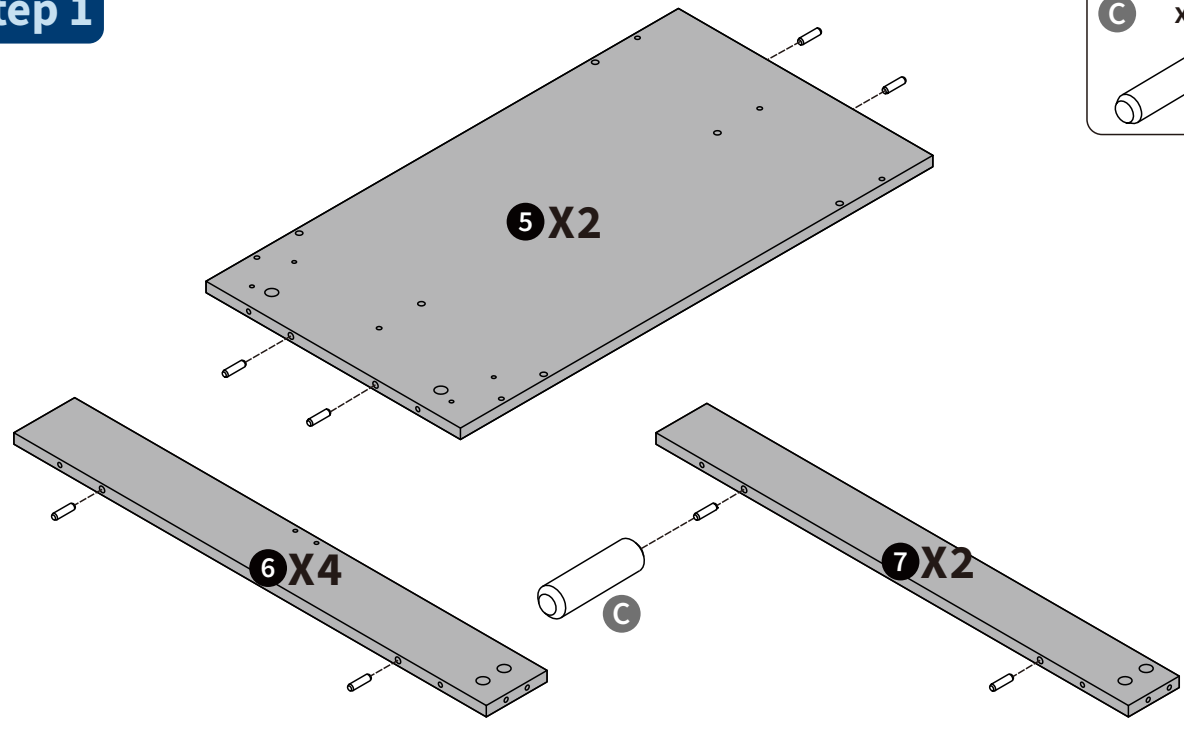
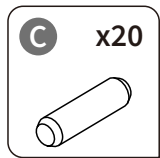
INSTALLATION

Parts List

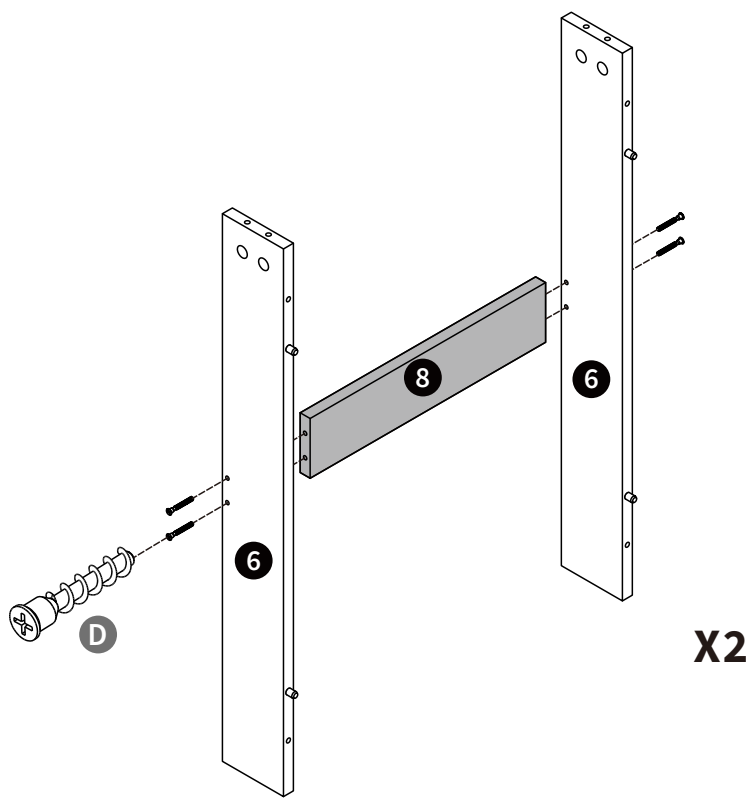
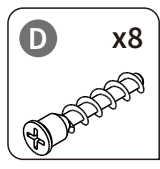
1 x2 	2 x1 	3 x2 	4 x2 
5 x2 	6 x4 	7 x2 	8 x2 
9 x2 	10 x2 		

A x28+2  Ø6x45 mm	B x28+2  Ø15x12 mm	C x28+2  Ø8x30 mm	D x44+3  Ø5x38 mm	E x12+1  Ø5x14 mm
F x4  Ø4x14 mm	G x6  40x20x2 mm	H x4  Ø22 mm		

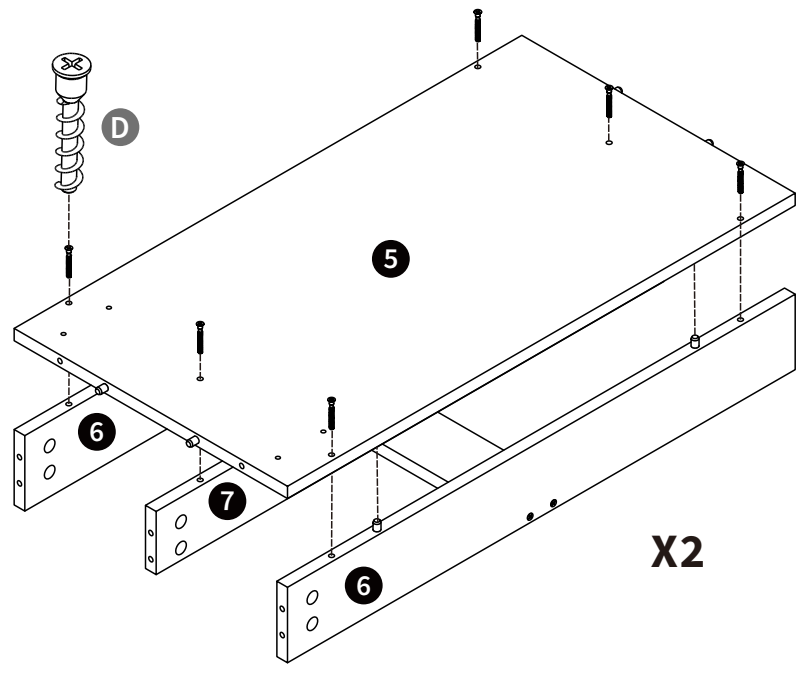
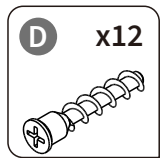
Step 1



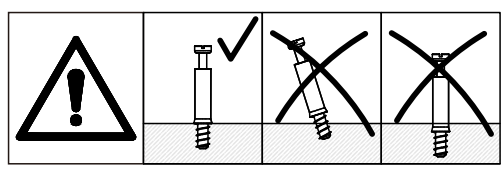
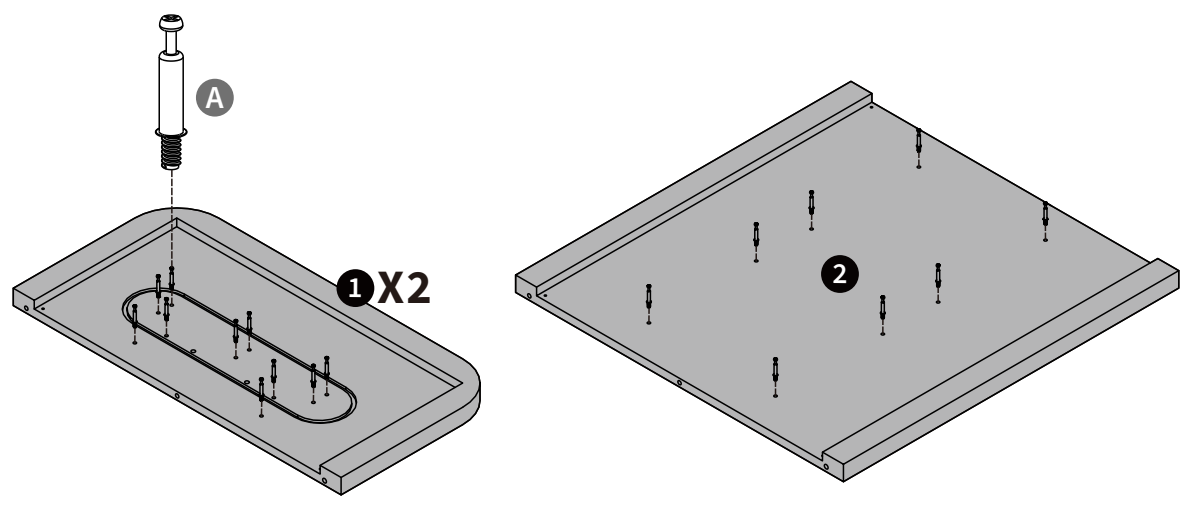
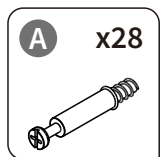
Step 2



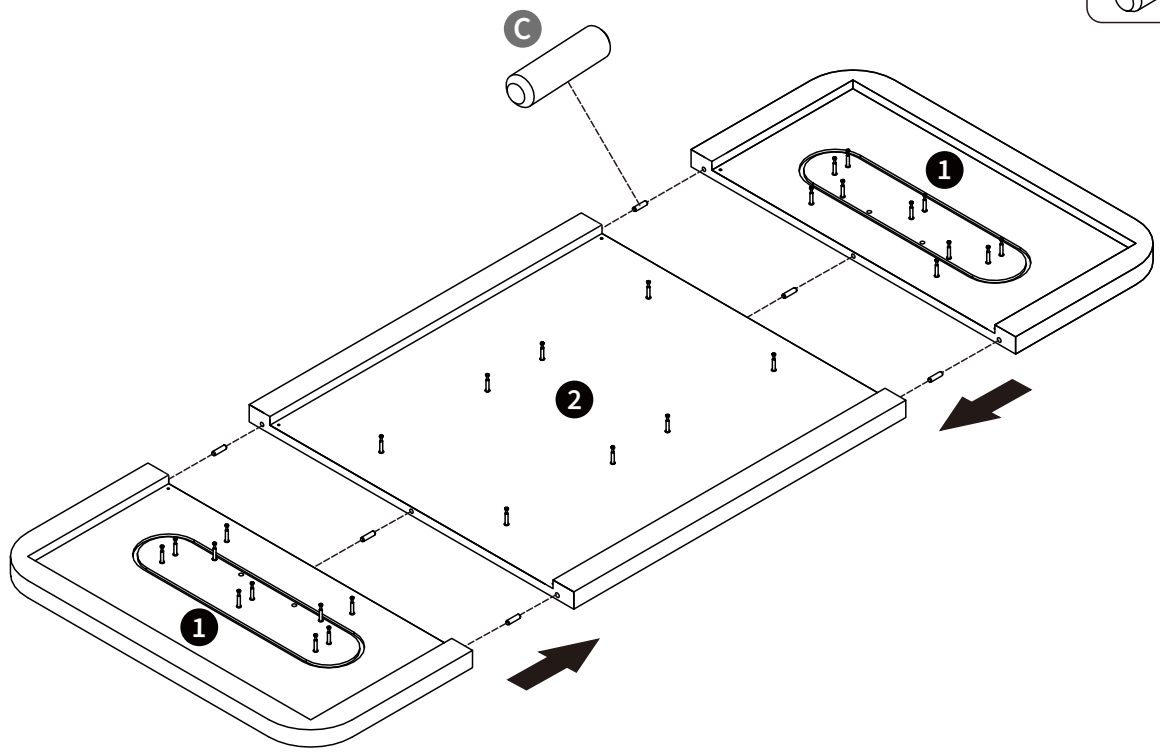
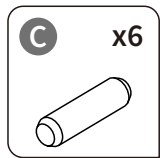
Step 3



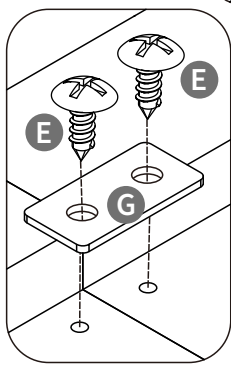
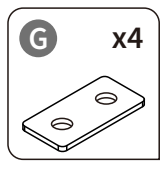
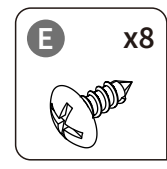
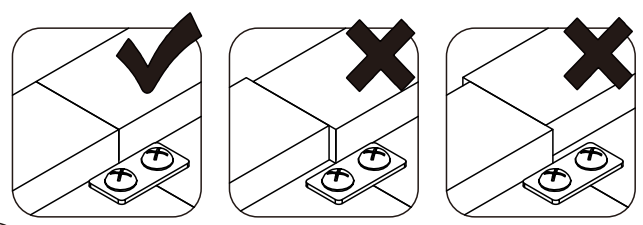
Step 4



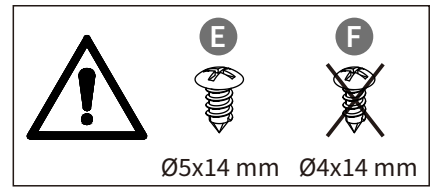
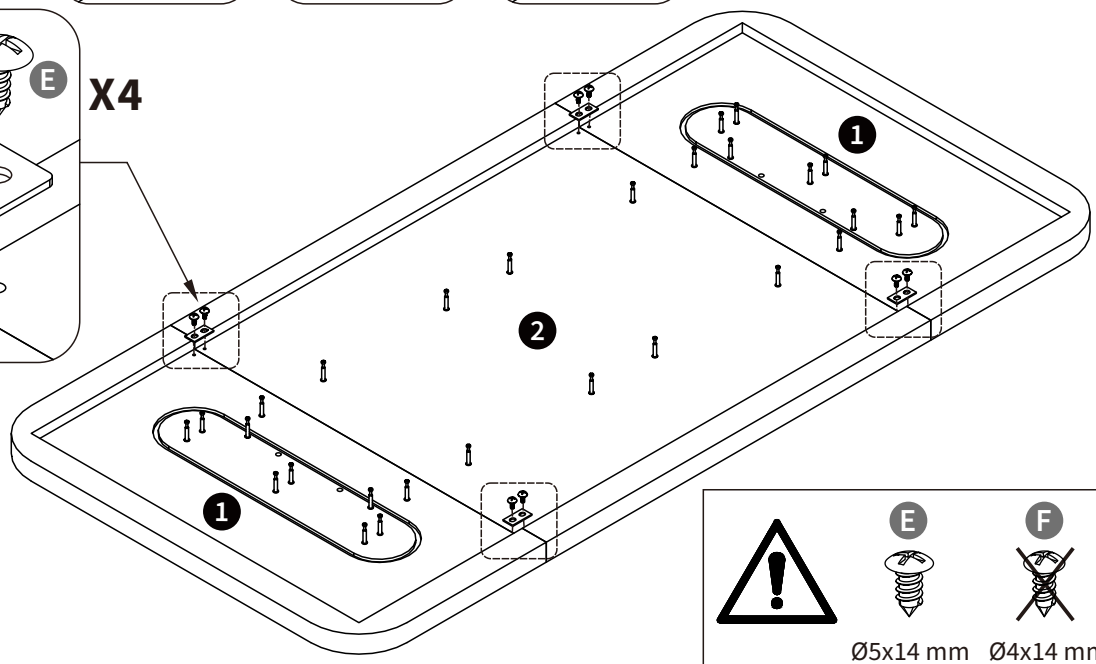
Step 5



Step 6

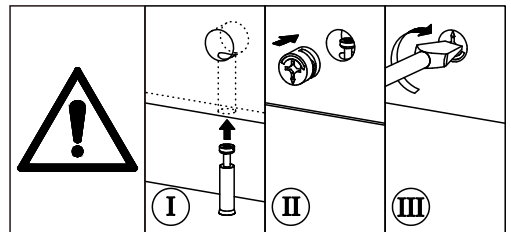
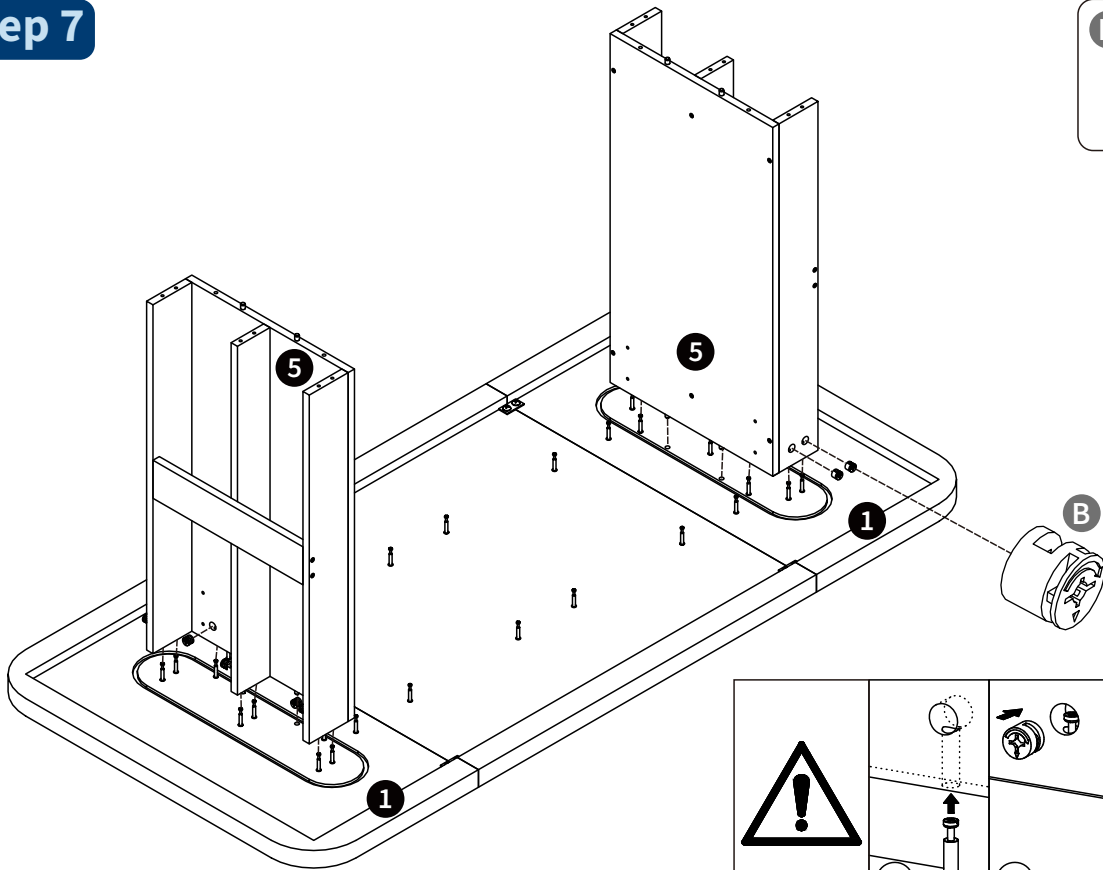


X4



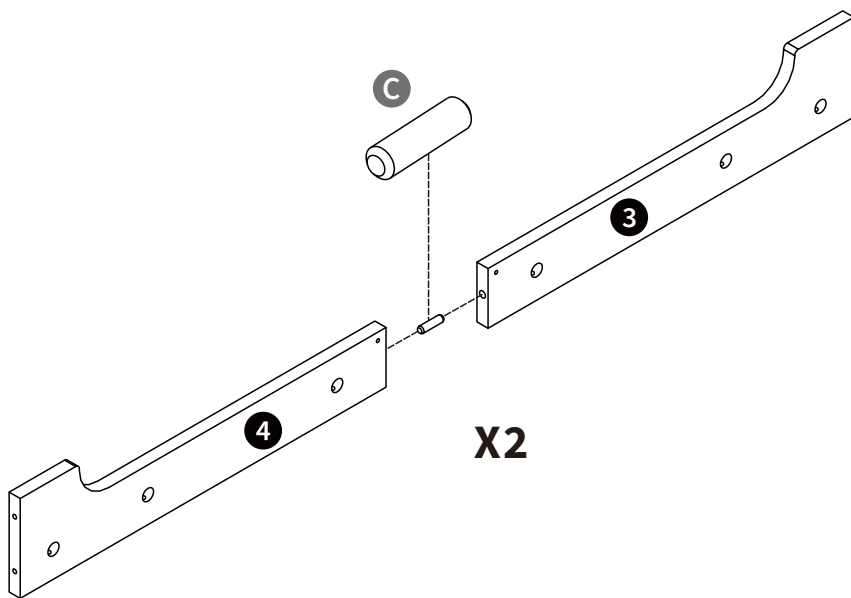
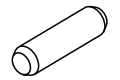
Step 7

B x16



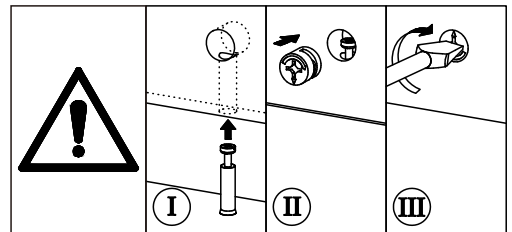
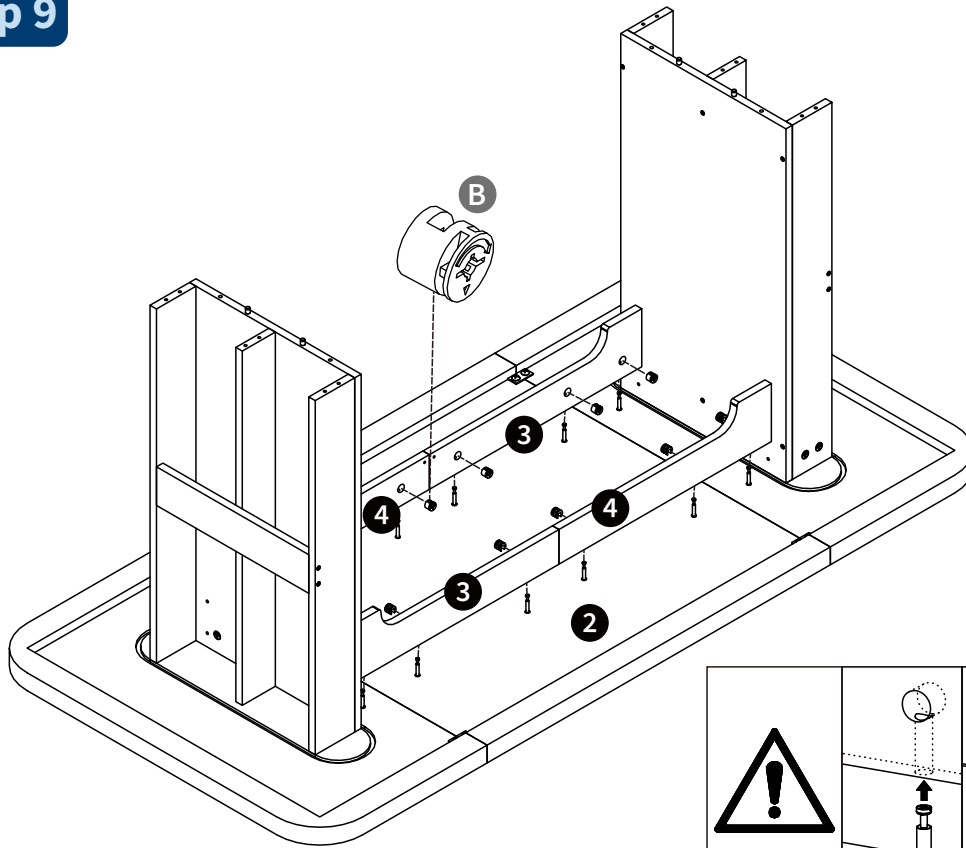
Step 8

C x2



Step 9

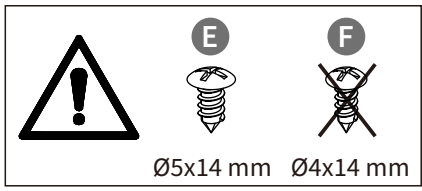
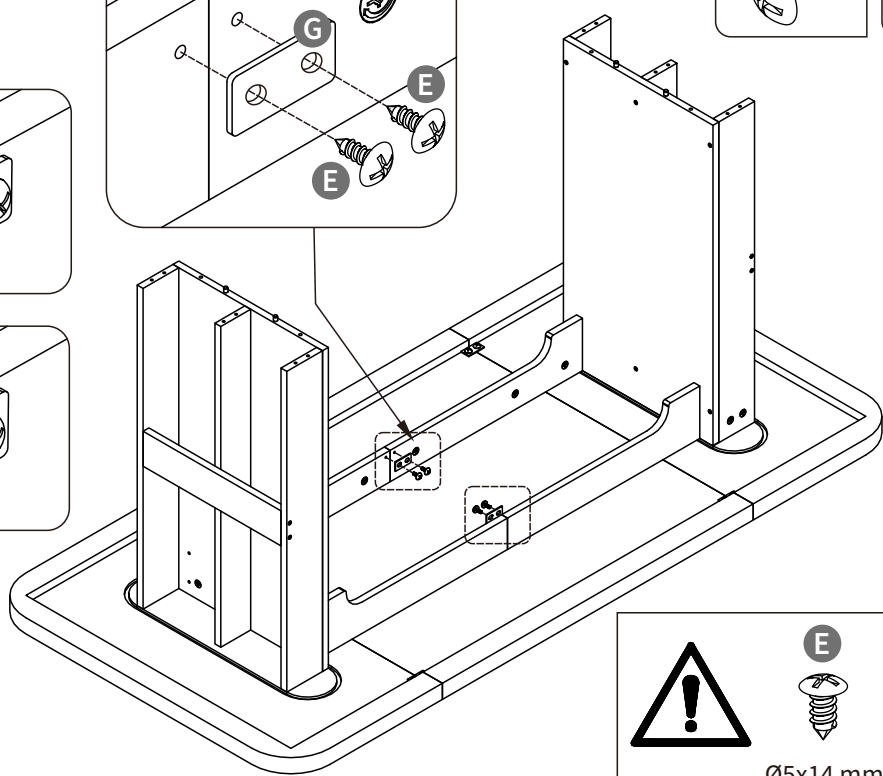
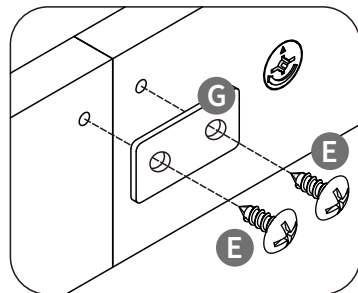
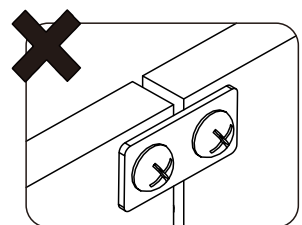
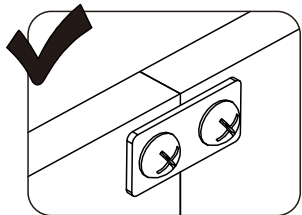
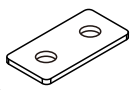
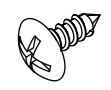
B x12



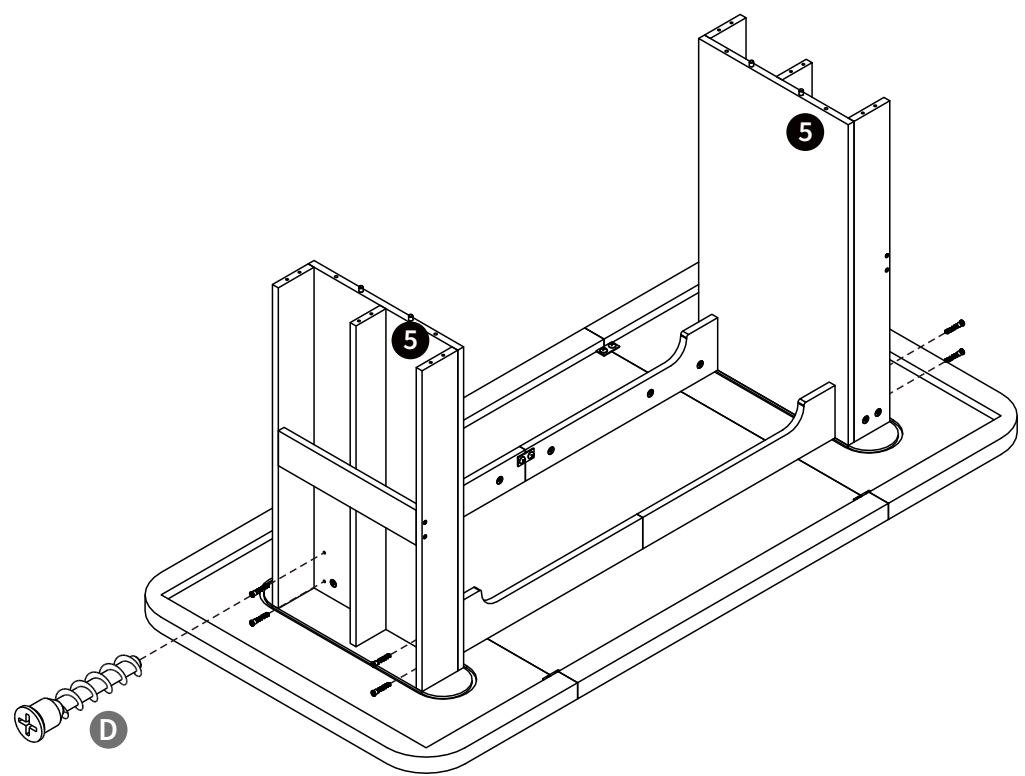
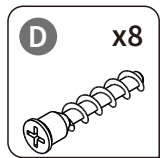
Step 10

E x4

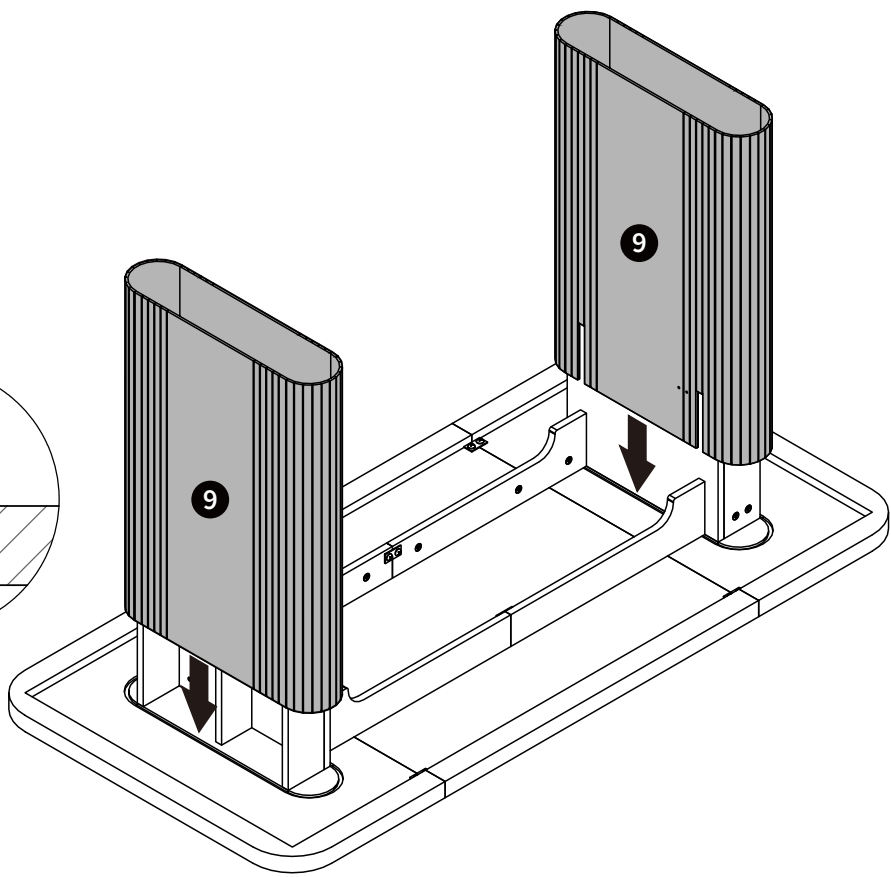
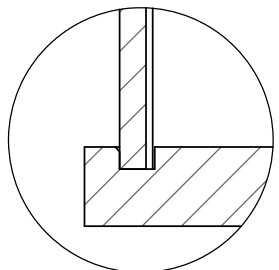
G x2



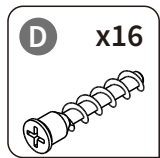
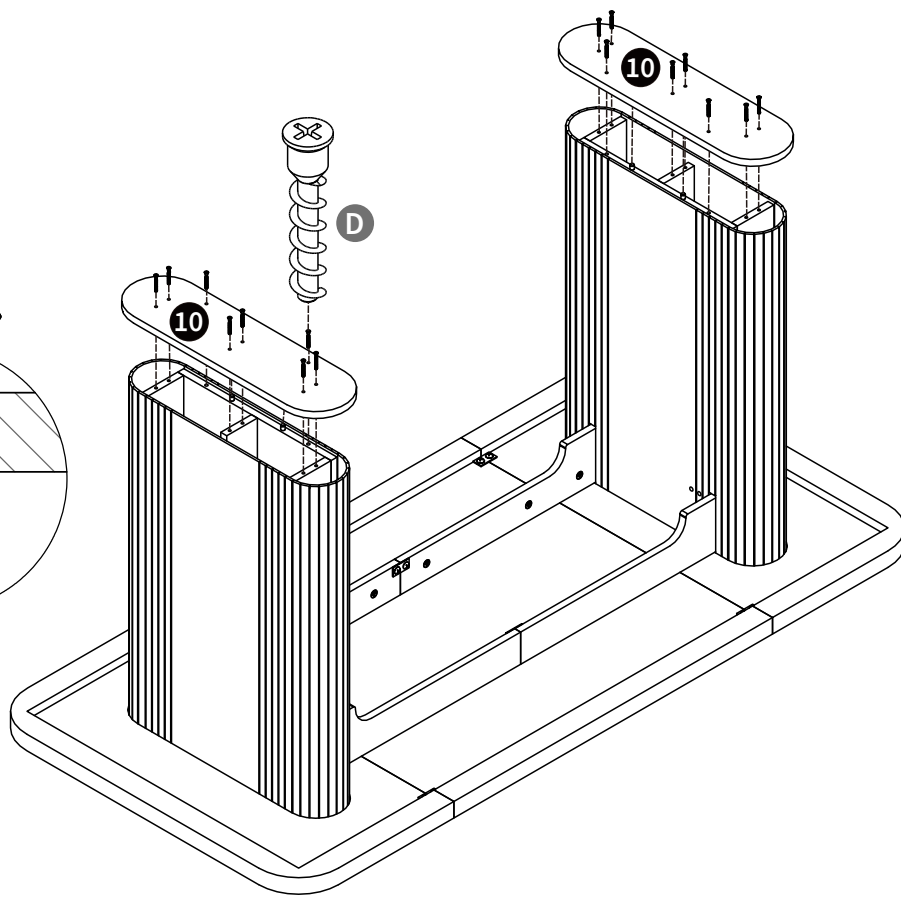
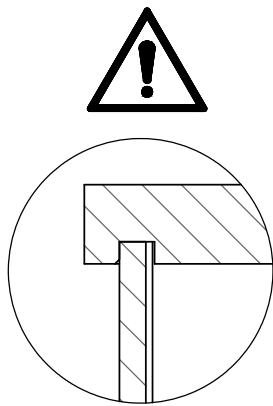
Step 11



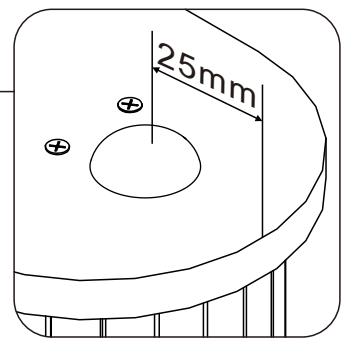
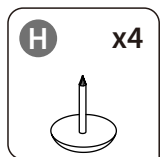
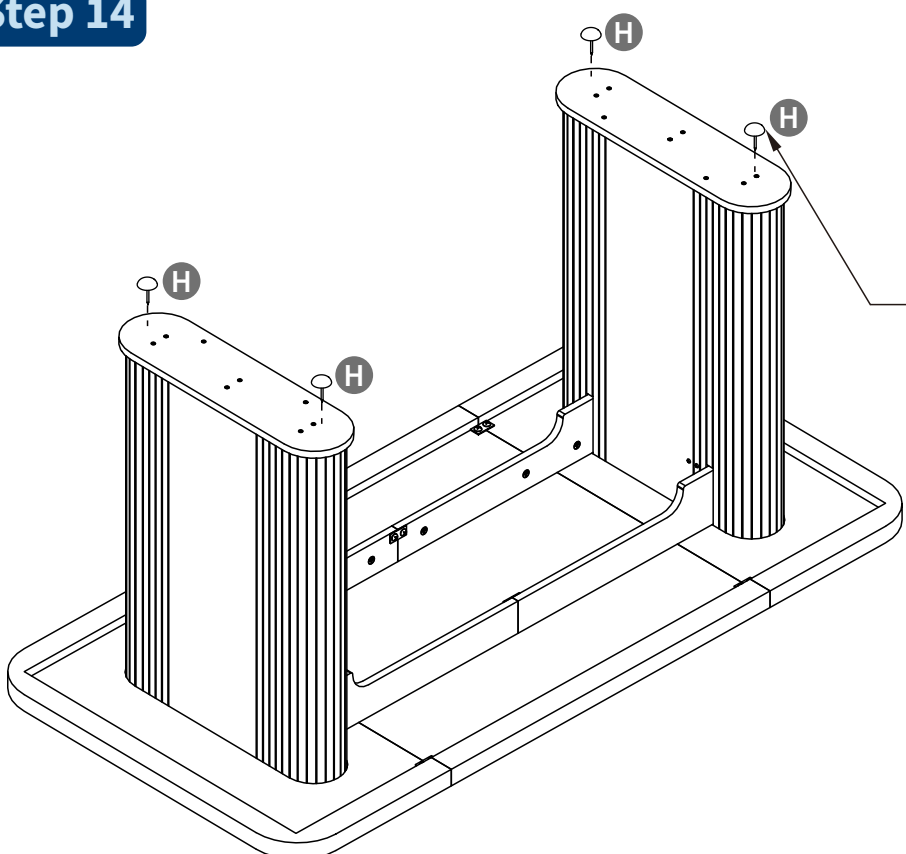
Step 12



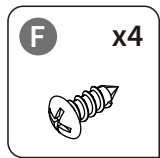
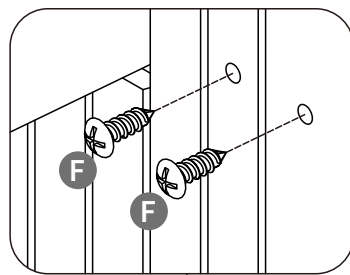
Step 13



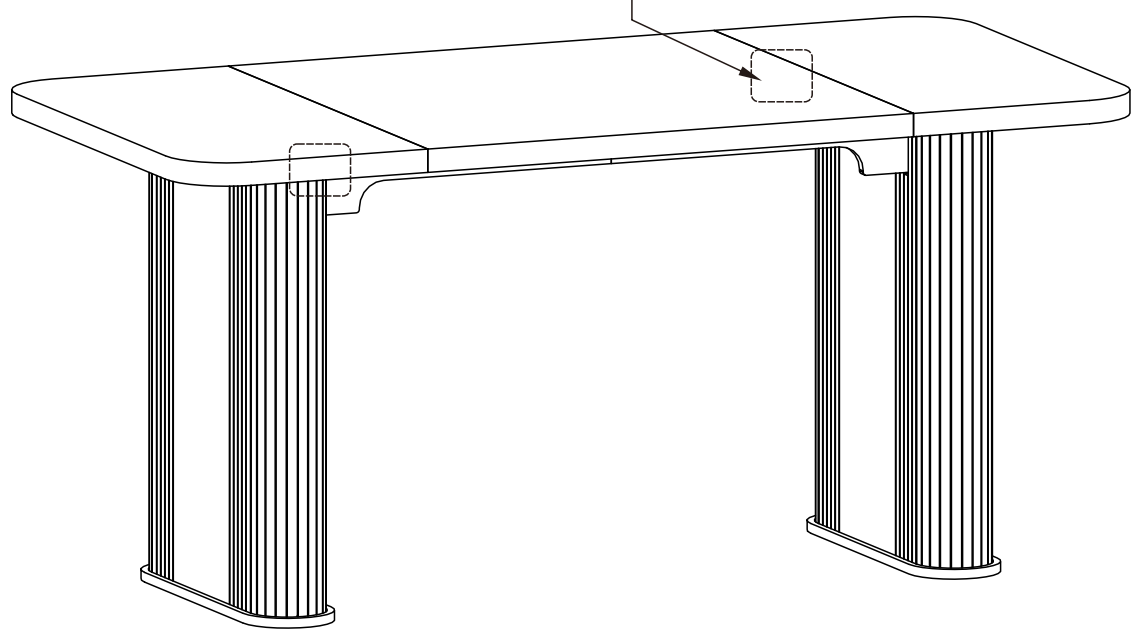
Step 14



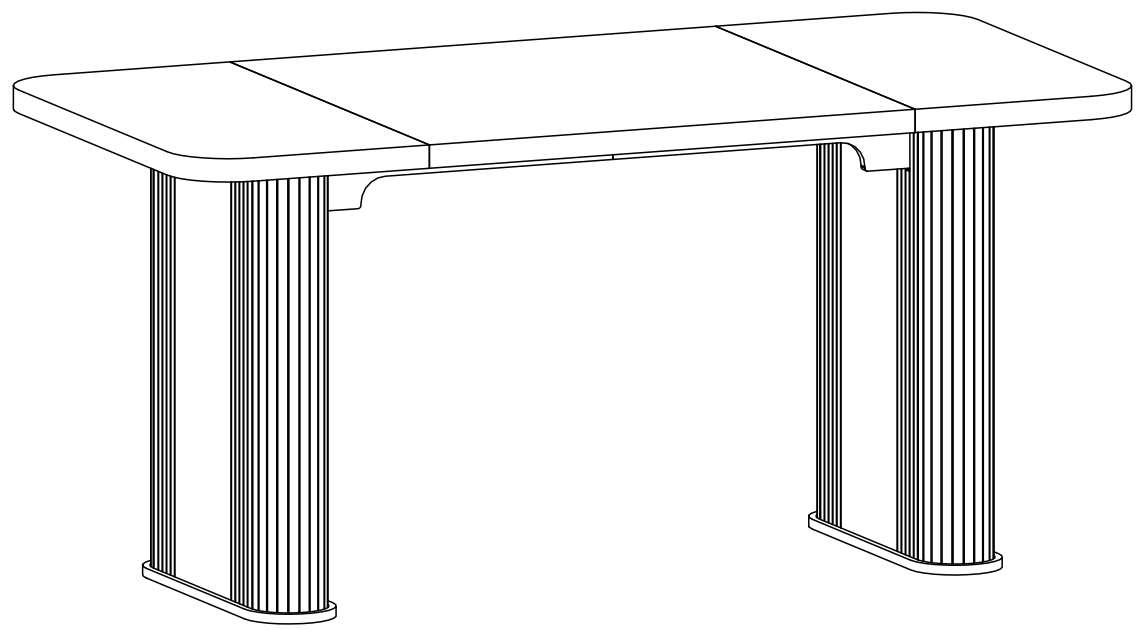
Step 15



X2



Step 16



FAQ

Q How to find us?

A Customer Service Email: support@garvee.com

Q When you encounter problems while using the product:

A Troubleshooting

Missing/ Wrong/ Broken parts and installation issues



Send email with your question, pic and order NO. to
support@garvee.com



Respond within 24 hours



Issue resolved

GARVEE
support@garvee.com