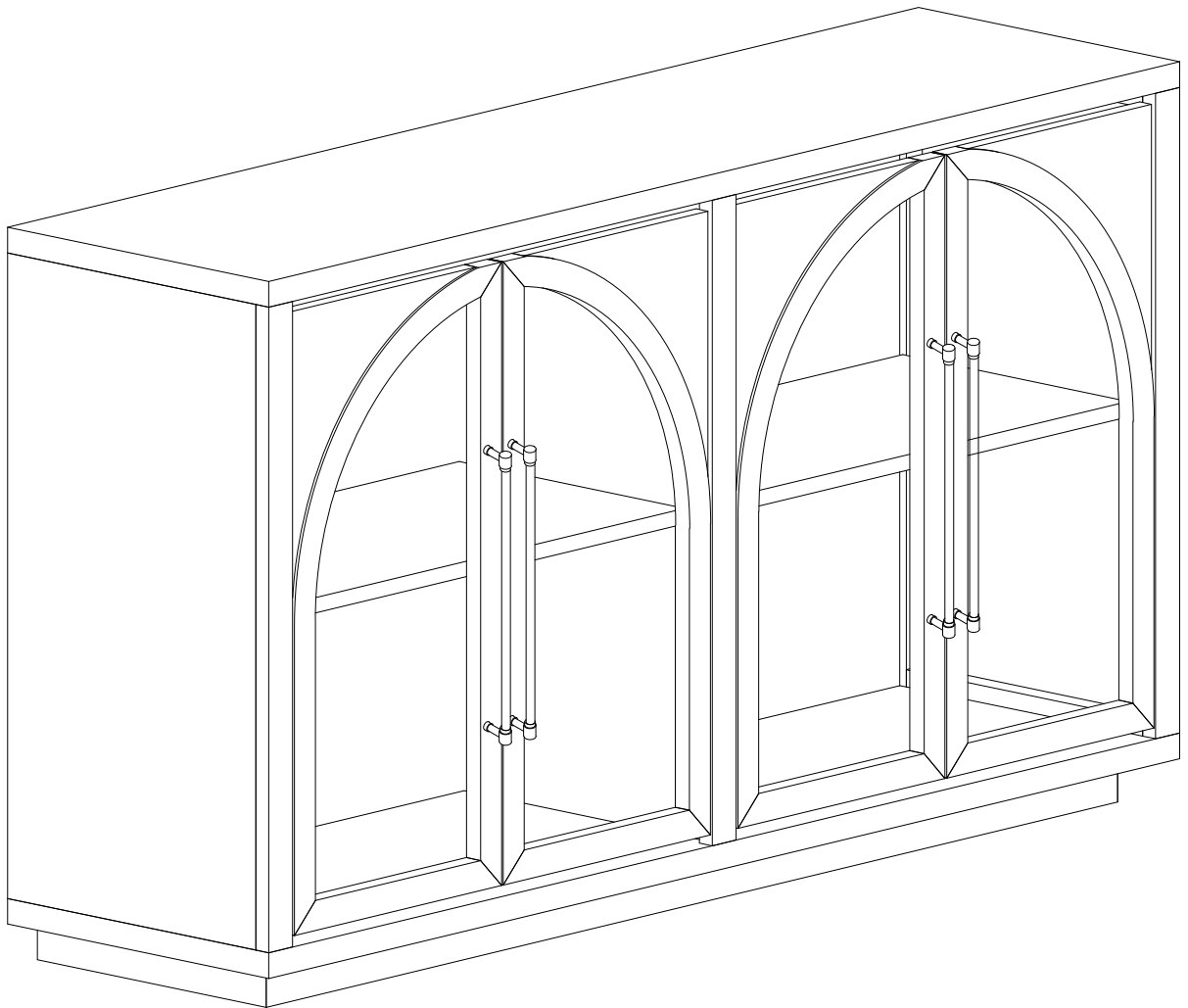


ASSEMBLY INSTRUCTION

ITEM NOTE : WF530402/WF530403 - N715P228702/N715P228703
SIDEBOARD



1. Thank you for choosing our products.

2. Return Policy








DO NOT RETURN TO THE STORE! Skip the process of returning your product and contact us directly for a replacement

If you find that parts of your order are missing or damaged, we will gladly ship any needed replacement parts free of charge.

If your product's quality does not meet your expectations or you have found any sort of defect, please contact our customer service department and let us know the details of your order and any issues encountered, we will try our best to provide you with a solution. Feel free to also directly contact our manufacturer at wftteam@comptree.net concerning needed replacement parts and they will be happy to help provide you with a solution or answer any questions you may have.

Recommendations Before Beginning Assembly

-  • Read instructions, cover to cover
-  • Have 2-4 adults on hand for assembly depending on product size
-  • Do not assemble directly on flooring or carpet
-  • Assemble on a clean non-marring surface (example: packing foam)
-  • Save all packaging until finished

3. Assembly Notice:

- If you encounter any problems during assembly and find that you cannot continue, rest assured we will help you solve the situation as soon as possible. Simply keep all of the parts of the product stored in a safe place and contact us immediately so we may assist you further.
- Once you have opened your package, remove all inner hardware packages and take the parts out. One by one, Place the parts out neatly in front of you, then refer to the instructions to ensure no parts are missing. If any pieces are found missing, please carefully look in the box first, as the hardware packaging might have torn making the hardware spill in the box.
- Some key parts of your product may be stored and hidden inside of other parts. Please open any zippered or hook & loop storage compartments to remove all parts. (example: cushions and legs being stored in the underside of a sofa)
- **IMPORTANT:** When setting up your product, **DO NOT INSTALL THE SCREWS ALL THE WAY IN THE BEGINNING.** Place each screw into their proper hole and use your hand to twist the screw halfway. Twist all the screws in halfway to ensure the holes will match up properly and the product is level on the ground. When everything seems fitted, then tighten the screws.
- When you have completed assembly, we suggest you have more than one person to assist you with lifting and placing the product.

Care & Maintenance



Do not put hot items directly on furniture surface



Do not clean furniture with harsh cleansers or polish



Do not place furniture under direct sunlight



Do not place furniture near heating or cooling vents



Do not write on furniture without a padded barrier to protect the surface



Do not place furniture outside. For indoor use only



Not for commercial use. For residential use only



Stains may be removed with mild soap solution and damp cloth



Children should not climb or jump on the furniture

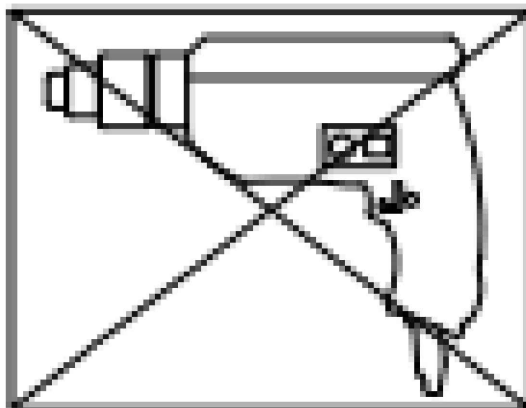


Dust and pick-up spills using a clean, non-colored, lint-free cloth

Caution

This product contains small components. Please ensure that they are kept away from small children.

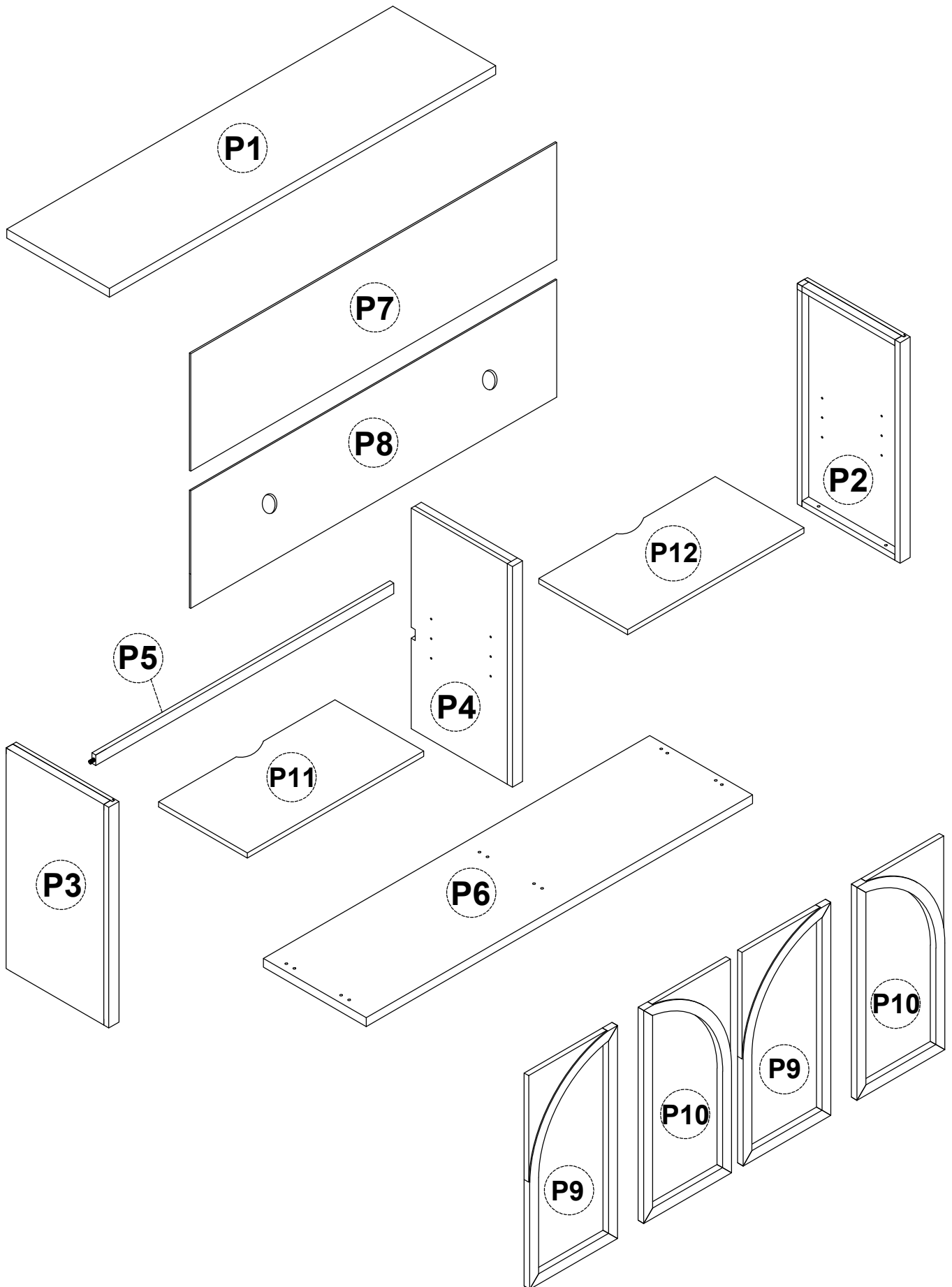
Do not use power tools to assemble your furniture. Power tools may strip or damage the



ASSEMBLY INSTRUCTION

ITEM NOTE : WF530402/WF530403 - N715P228702/N715P228703

SIDEBOARD



ASSEMBLY INSTRUCTION

ITEM NOTE : WF530402/WF530403 - N715P228702/N715P228703
SIDEBOARD

Important - Please read instructions fully before starting assembly

- . Check you have all the components and tools listed on the following pages
- . Remove all fittings from the plastic bags and separate them into their groups.
- . Keep children and animals away from the work area , small parts could choke if swallowed.
- . Make sure you have enough space to layout the before starting.
- . During assembly do not stand or put weight on the product this could cause damage.
- . Assembly the item as close to its final position (in the same room) as possible.
- . Assembly on a soft level surface to avoid damaging the unit or your floor.
- . Parts of the assembly will be easier with 2 people.
- . To reduce the likelihood of damaging your product please ensure that your power drill is set on a low torque setting.



power drill is set on a low torque setting.

Care and maintenance

- . Only clean using a damp cloth and mild detergent, do not use bleach or abrasive cleaners.
- . From time to time check that there are no loose screws on this unit.
- . This product not be discarded with household waste Take to your local authority waste disposal centre.

Handy Hints

- . Assembly all parts and bolts loosely during assembly only once the product is complete should fully tighten the bolts.
- . Regularly check and ensure that all bolts and fittings are tightend properly.

WARNING

In order to help prevent overturning - please follow these instructions

To help prevent product toppling over please follow the below steps.

Use the anti tip stap or wan fixing method provided (if applicable)

Do not allow children to climb or hang on the funiture

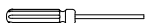
Do not open more than one drawer at a time

Do not place heavy items in the top drawers

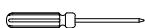
Do not place heavy items on top of the furniture, unless the furniture has been designed for this purpose

Please note that only anti tip strap in provided

You will need to provide wall plugs and screws applicable for your wall type



Tools required



Screwdriver (medium & large)

Ruler - Use this ruler to help correctly identify the screws



The screws length is measured from the head to the point

ASSEMBLY INSTRUCTION

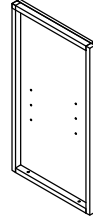
ITEM NOTE : WF530402 - N715P228702

SIDEBOARD

Part List

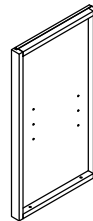
P2

RIGHT PANEL - 1PC



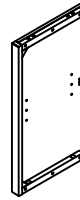
P3

LEFT PANEL - 1PC



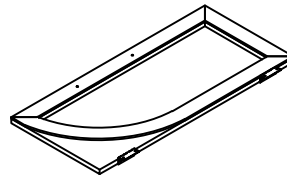
P4

BETWEEN PANEL - 1PC



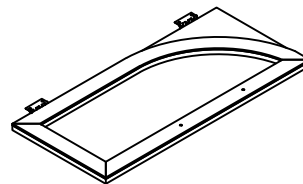
P9

LEFT DOOR - 2PC



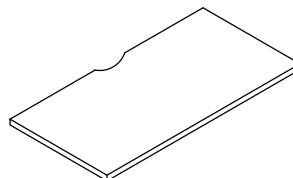
P10

RIGHT DOOR - 2PC



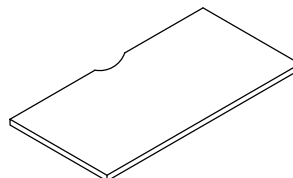
P11

SHELF - 1PC



P12

SHELF - 1PC

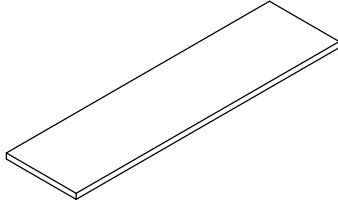

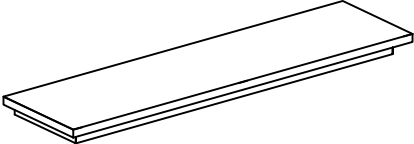
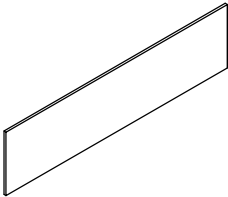
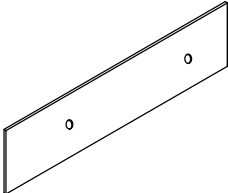


ASSEMBLY INSTRUCTION

ITEM NOTE : WF530403 - N715P228703

SIDEBOARD

Part List

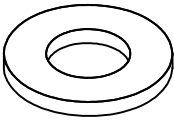
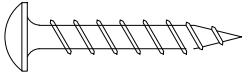
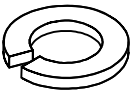
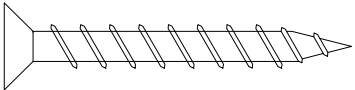
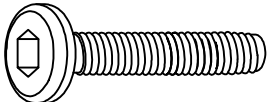
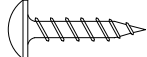

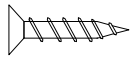
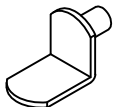
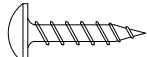
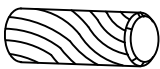
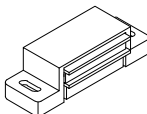
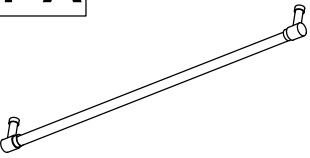




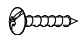
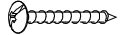



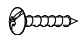
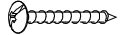



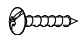
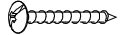
P1	TOP PANEL - 1PC	
P5	REAR TIE ROD - 1PC	
P6	BOTTOM - 1PC	
P7	BACK PANEL - 1PC	
P8	BACK PANEL - 1PC	

ASSEMBLY INSTRUCTION

ITEM NOTE : WF530402 - N715P228702

SIDEBOARD

Hardware List

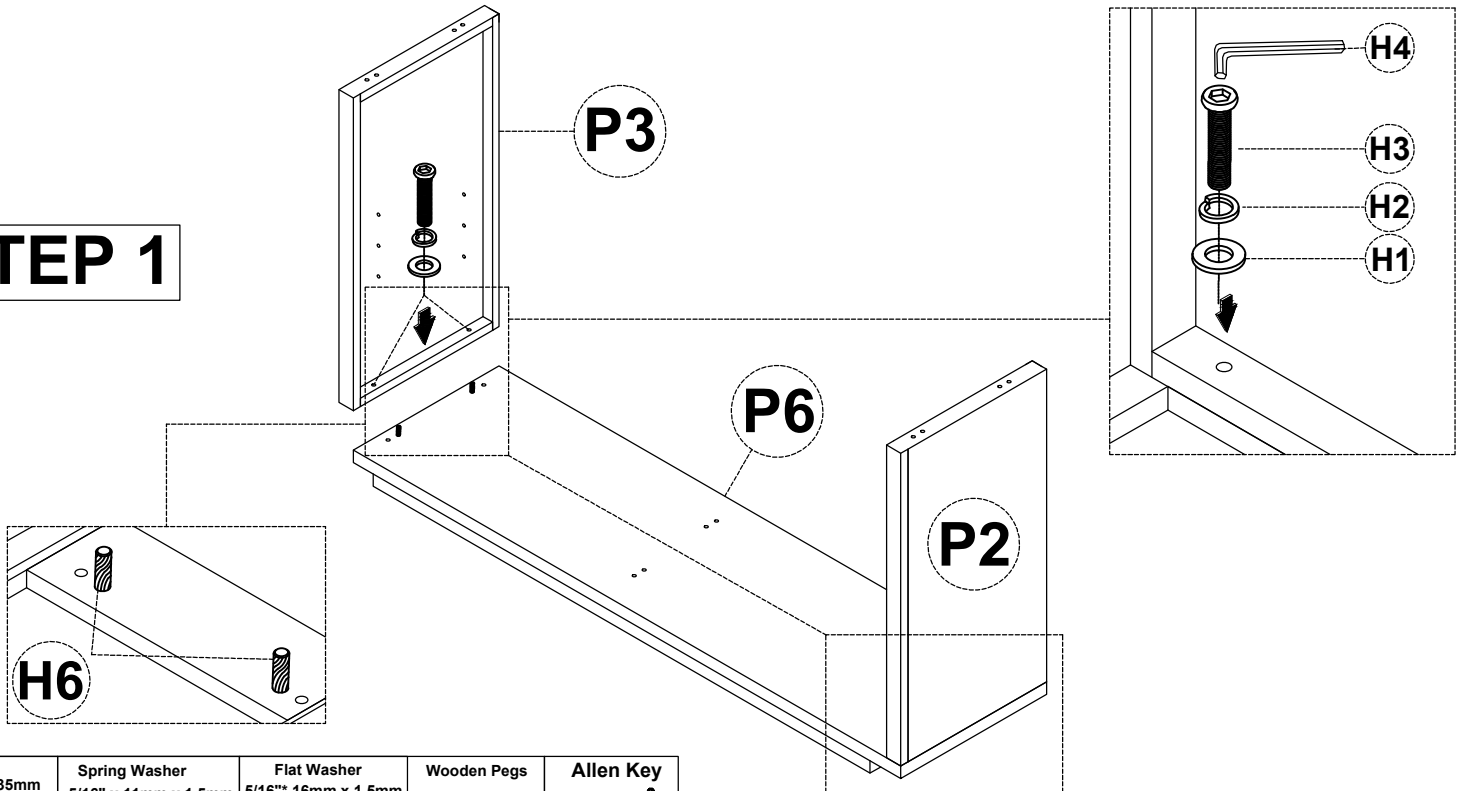
<p>H1</p>  <p>5/16"* 16mm x 1.5mm Flat Washer (12pcs)</p>	<p>H8</p>  <p>Ø 4 x 25mm Umbrella Screw - 1pc</p>					
<p>H2</p>  <p>5/16" x 13mm x 1.5mm Spring Washer (12pcs)</p>	<p>H9</p>  <p>Ø 4 x 40mm Flat head screw - 2pc</p>					
<p>H3</p>  <p>(Ø13) 5/16" x 35mm Hex- Head Bolts (12pcs)</p>	<p>H10</p>  <p>Ø 4 x 15mm Umbrella head screw - 60pcs</p>					
<p>H4</p>  <p>Allen kay - 1pc</p>	<p>H11</p>  <p>Ø 3 x 15mm Flat head screw - 24pcs</p>					
<p>H5</p>  <p>Shelf pin - 8pcs</p>	<p>H12</p>  <p>Ø 3.5 x 15mm Umbrella head screw - 16pcs</p>					
<p>H6</p>  <p>Ø 10 x 30mm Wooden Pegs - 12pcs</p>	<p>H13</p>  <p>Door catch - 8pcs</p>					
<p>H7 A</p>  <p>Handle - 4pcs</p>	<p>H7 B</p>  <p>Bolts M4*25 (8pcs)</p>					
<p>L Anti Tip kit - 2 sets</p> <table border="0"> <tr> <td data-bbox="742 1928 901 2150"> <p>L1</p>  <p>Restraint Strap 2pcs</p> </td> <td data-bbox="901 1928 1061 2150"> <p>L2</p>  <p>Plastic Anchor 2pcs</p> </td> <td data-bbox="1061 1928 1220 2150"> <p>L3</p>  <p>Metal Braket 4pcs</p> </td> <td data-bbox="1220 1928 1380 2150"> <p>L4</p>  <p>Umbrella head Screws M4 x 20mm 2pcs</p> </td> <td data-bbox="1380 1928 1583 2150"> <p>L5</p>  <p>Umbrella head Screws M4 x 40mm 2pcs</p> </td> </tr> </table>		<p>L1</p>  <p>Restraint Strap 2pcs</p>	<p>L2</p>  <p>Plastic Anchor 2pcs</p>	<p>L3</p>  <p>Metal Braket 4pcs</p>	<p>L4</p>  <p>Umbrella head Screws M4 x 20mm 2pcs</p>	<p>L5</p>  <p>Umbrella head Screws M4 x 40mm 2pcs</p>
<p>L1</p>  <p>Restraint Strap 2pcs</p>	<p>L2</p>  <p>Plastic Anchor 2pcs</p>	<p>L3</p>  <p>Metal Braket 4pcs</p>	<p>L4</p>  <p>Umbrella head Screws M4 x 20mm 2pcs</p>	<p>L5</p>  <p>Umbrella head Screws M4 x 40mm 2pcs</p>		






ASSEMBLY INSTRUCTION

ITEM NOTE : WF530402 - N715P228702

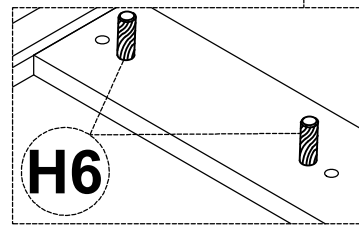
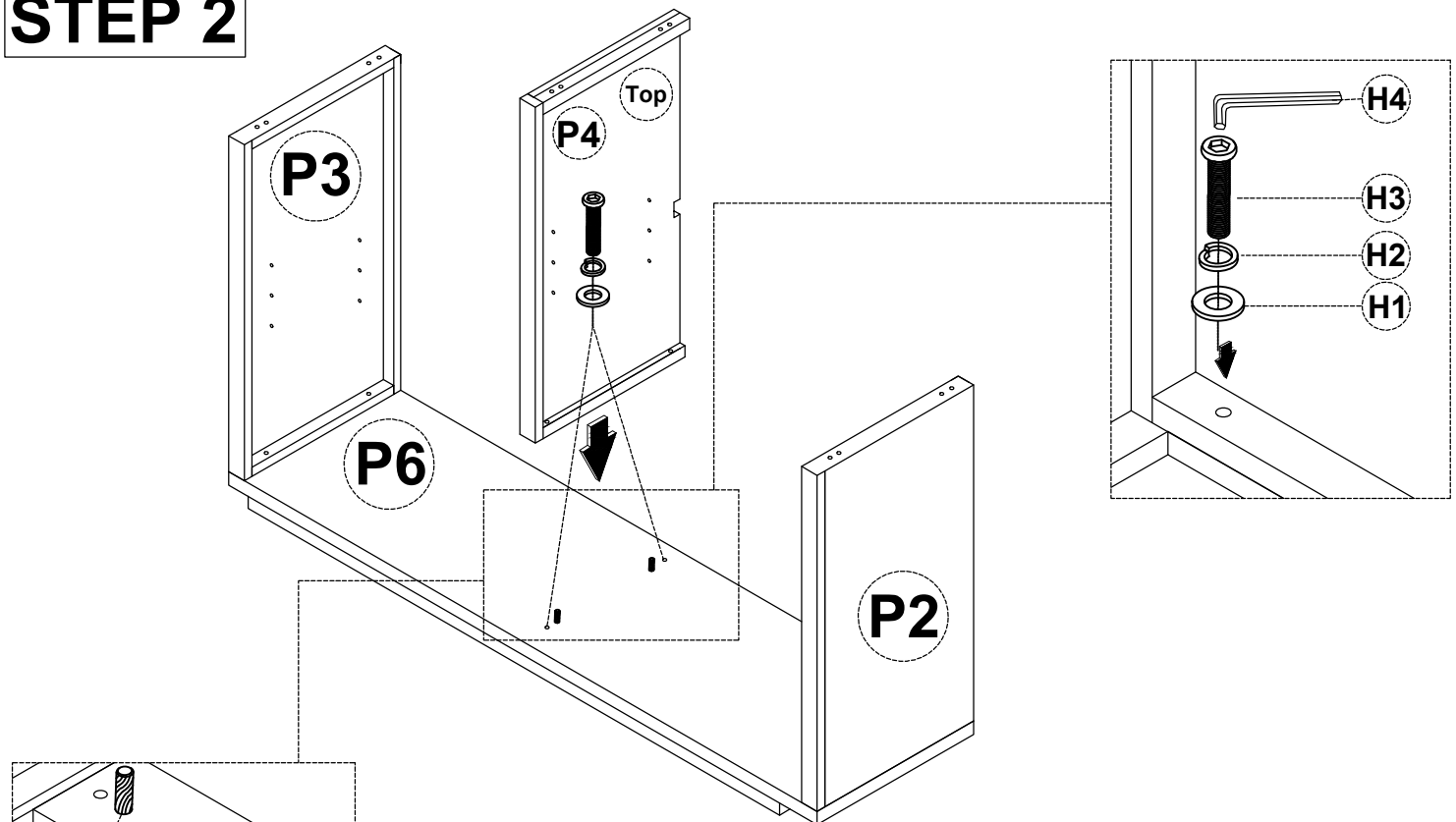
SIDEBOARD

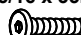




STEP 1



Bolts 5/16" x 35mm  H3 = 4	Spring Washer 5/16" x 11mm x 1.5mm  H2 = 4	Flat Washer 5/16" x 16mm x 1.5mm  H1 = 4	Wooden Pegs  H6 = 4	Allen Key  H4 = 1
--	---	---	---	---

STEP 2



Bolts 5/16 x 35mm  H3 = 2	Spring Washer 5/16" x 11mm x 1.5mm  H2 = 2	Flat Washer 5/16" x 16mm x 1.5mm  H1 = 2	Wooden Pegs  H6 = 2	Allen Key  H4 = 1
---	--	--	--	--

ASSEMBLY INSTRUCTION

ITEM NOTE : WF530402 - N715P228702

SIDEBOARD

SCREW 4 x 25mm

STEP 3

H8

P5

P3

P2

P6

P5

P5

H9

SCREW 4 x 25mm
(Umbrella screw)

SCREW 4 x 40mm
(Flat head screw)



H8 = 1

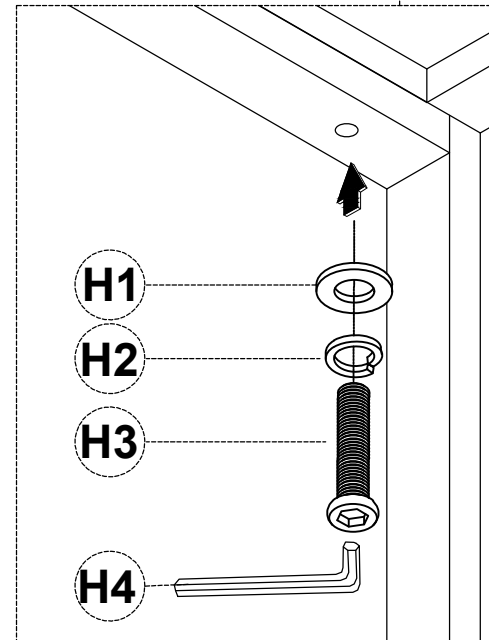
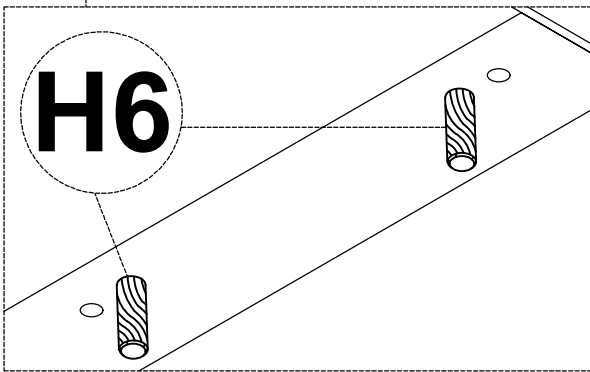
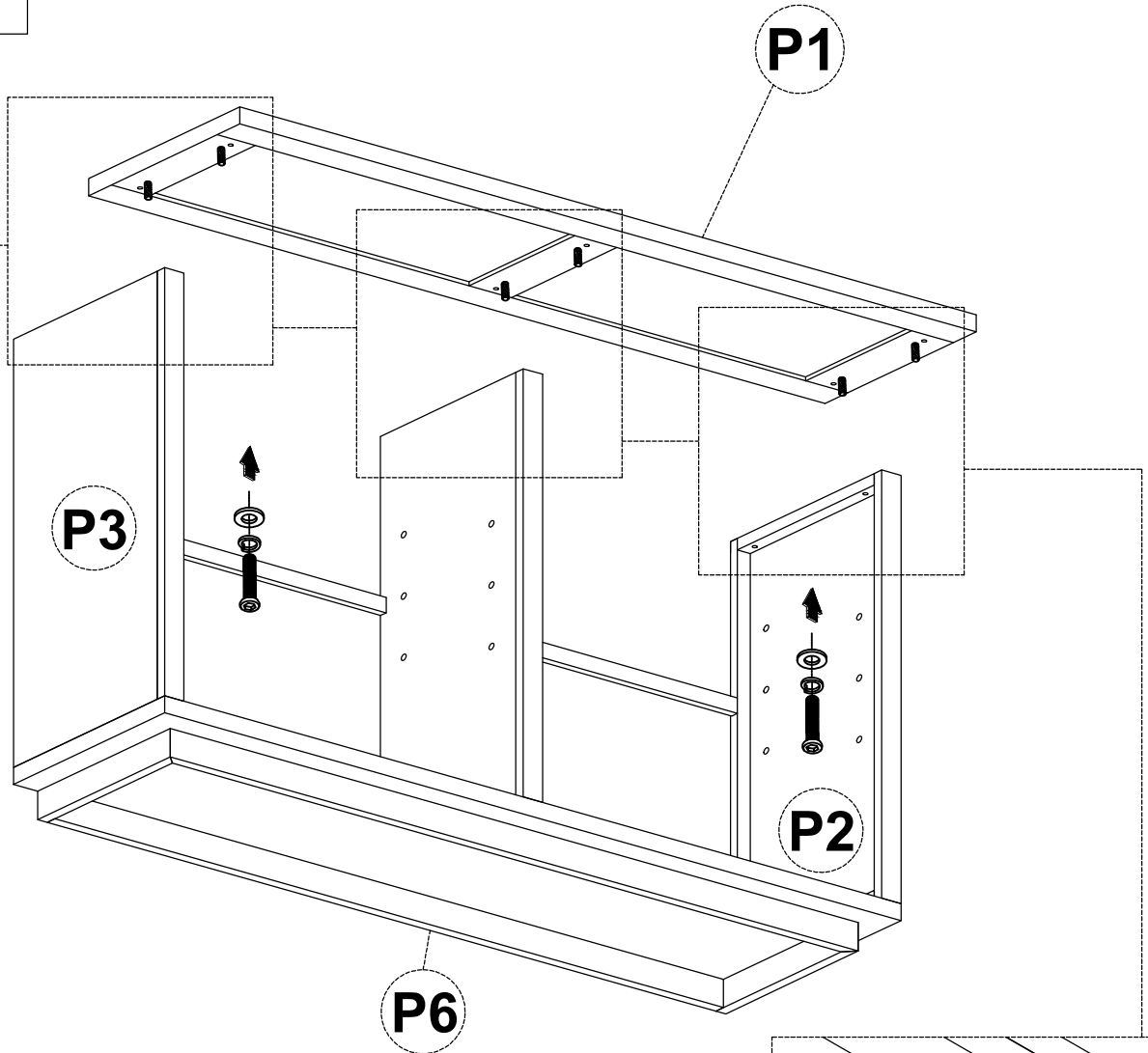
H9 = 2

ASSEMBLY INSTRUCTION

ITEM NOTE : WF530402 - N715P228702

SIDEBORD

STEP 4



Bolts
5/16 x 35mm



H3 = 6

Spring Washer

5/16" x 11mm x 1.5mm



H2 = 6

Flat Washer

5/16" * 16mm x 1.5mm



H1 = 6

Wooden Pegs



H6 = 6

Allen Key



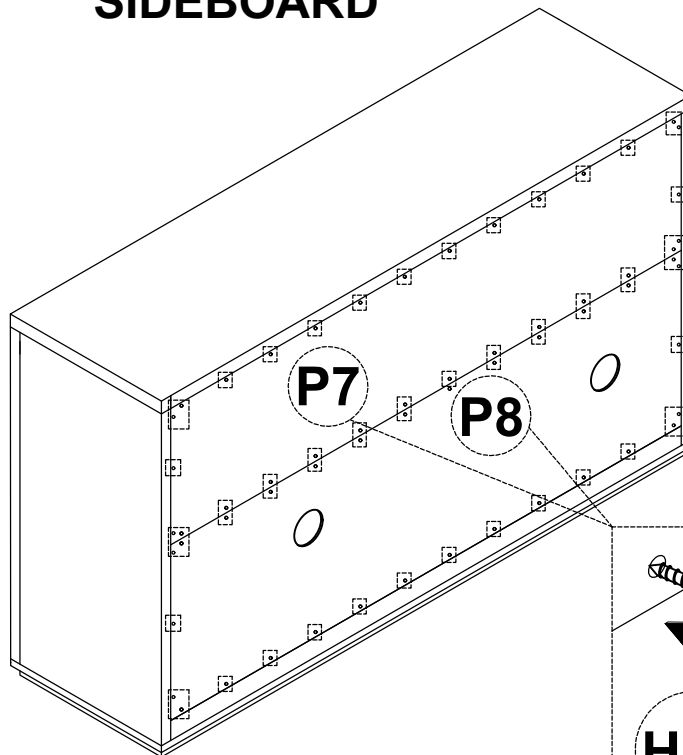
H4 = 1

ASSEMBLY INSTRUCTION

ITEM NOTE : WF530402 - N715P228702

SIDEBOARD

STEP 5



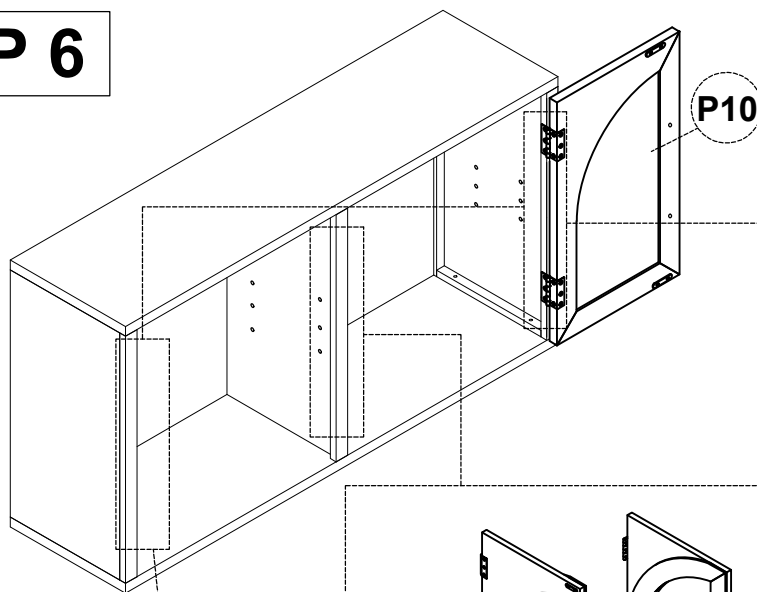
SCREW 4 x 15mm (Umbrella head screw)



H10 = 60

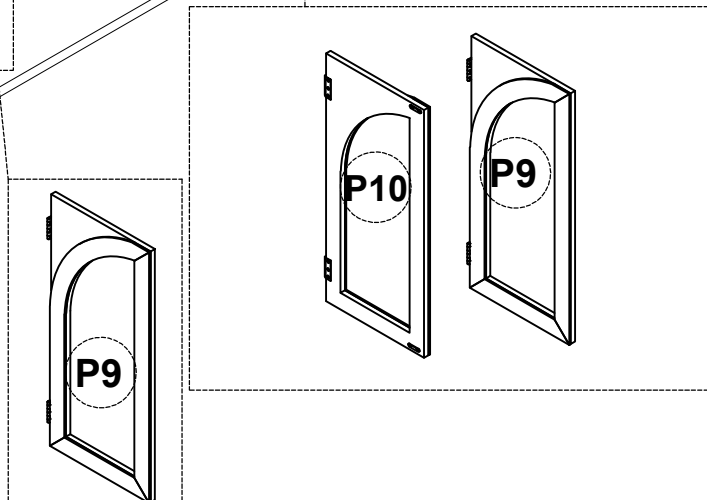
H10

STEP 6



P10

H11



P10

P9

P9

SCREW 3 x 15mm (Flat head screw)



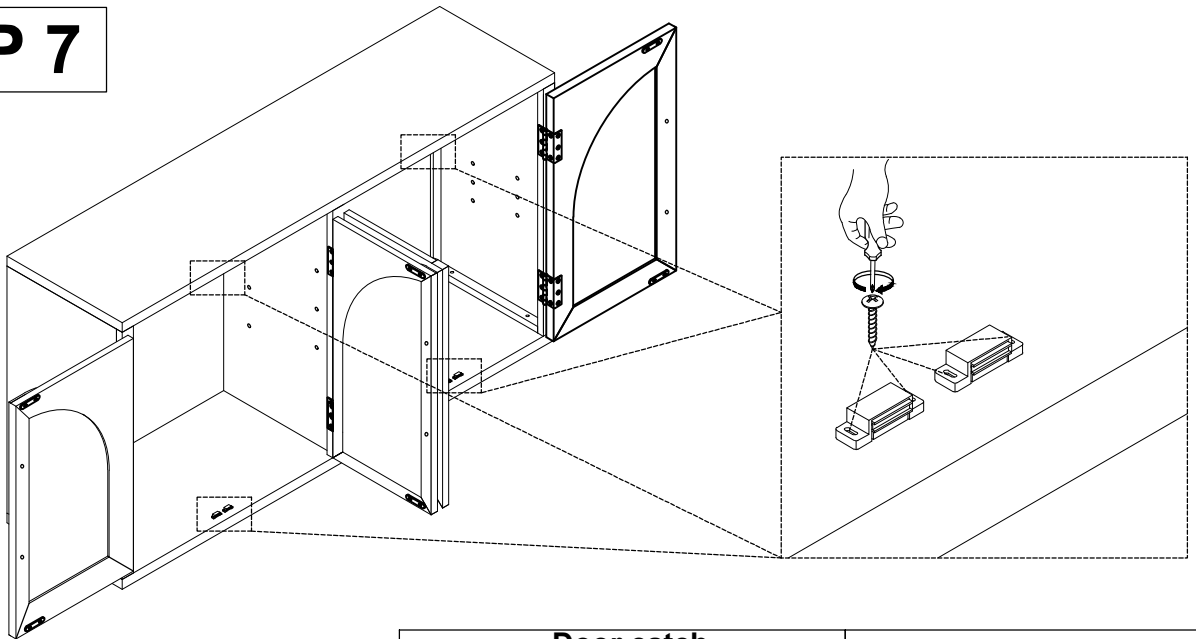
H11 x 24

ASSEMBLY INSTRUCTION

ITEM NOTE : WF530402 - N715P228702

SIDEBOARD

STEP 7



Door catch



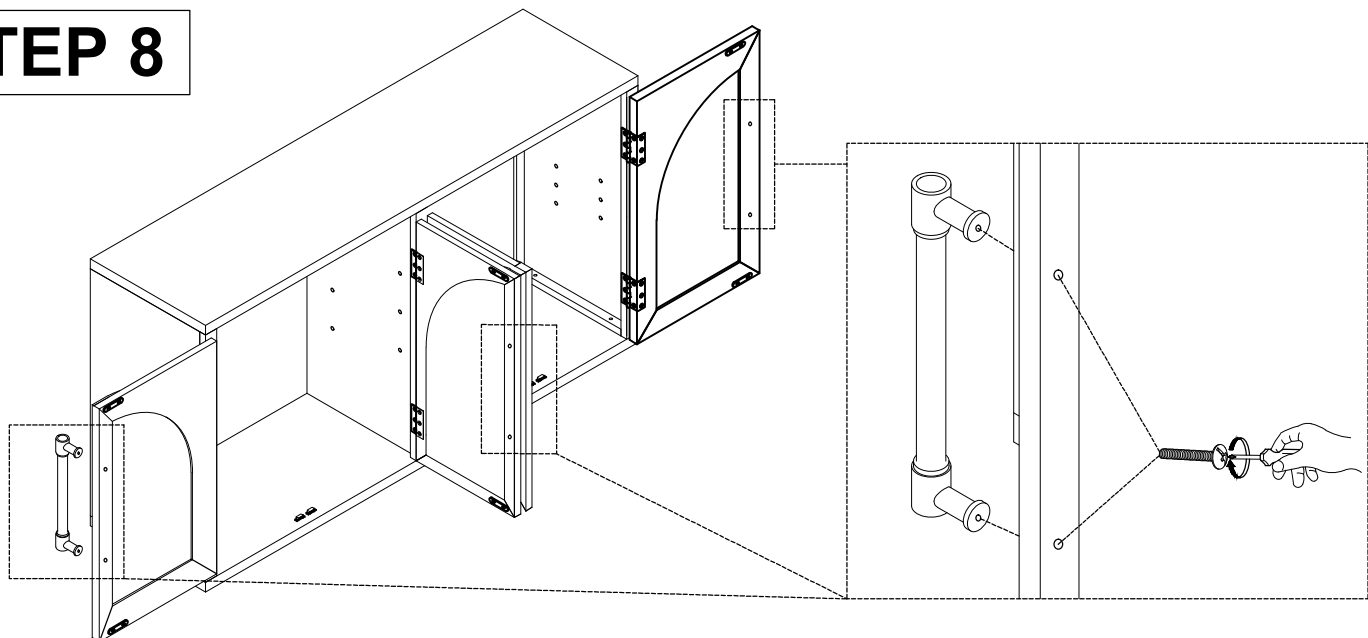
H13 x 8

SCREW 3.5 x 15mm (Flat head screw)

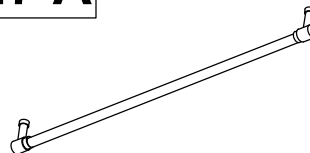


H12 x 16

STEP 8



H7 A



Handle - 4pcs

H7 B



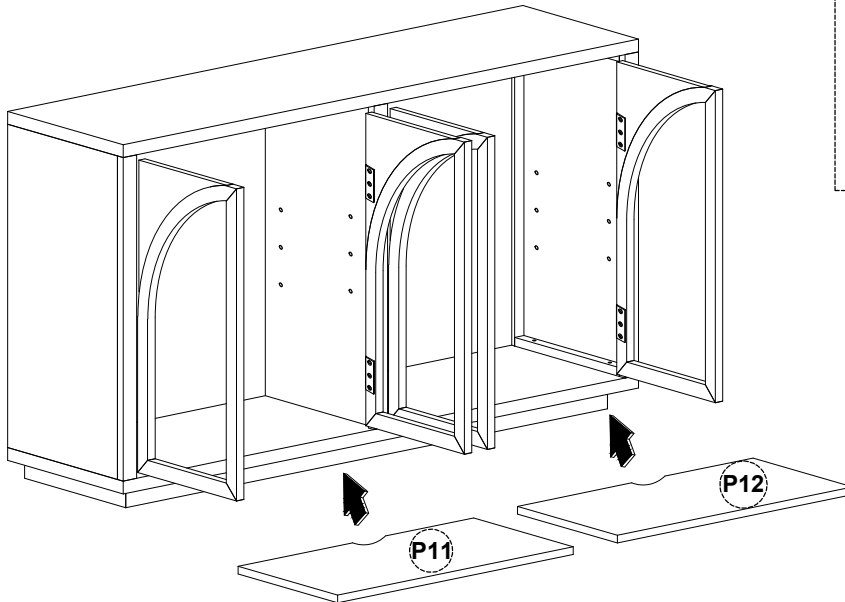
Bolts M4*25 (8pcs)

ASSEMBLY INSTRUCTION

ITEM NOTE : WF530402 - N715P228702

SIDEBORD

STEP 9



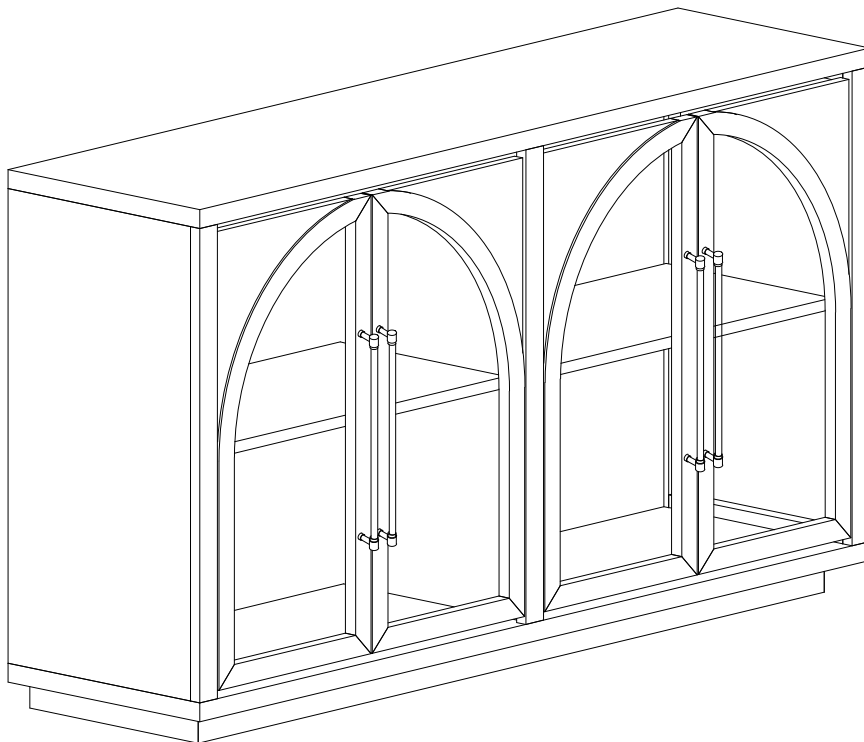
Shelf pin



H5 = 8

H5

STEP 10


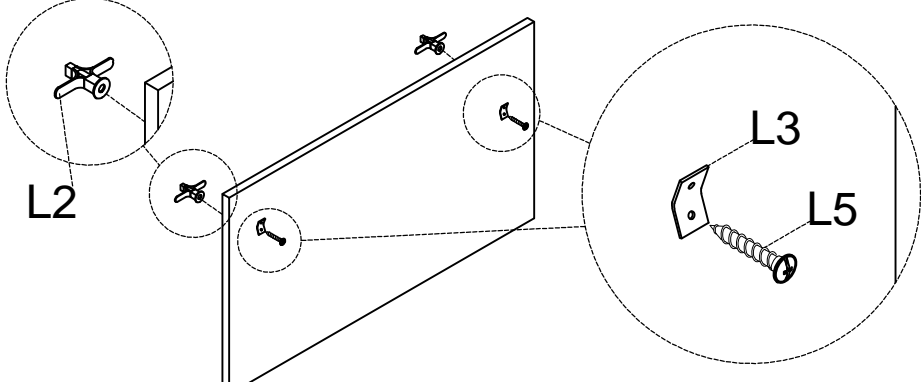

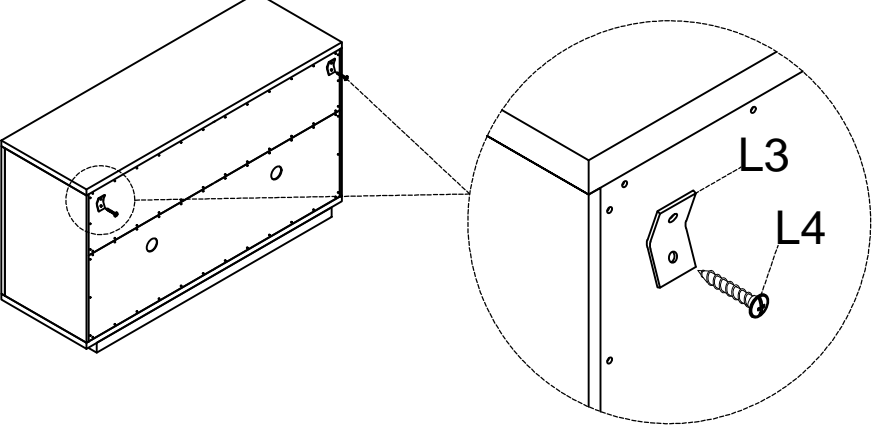

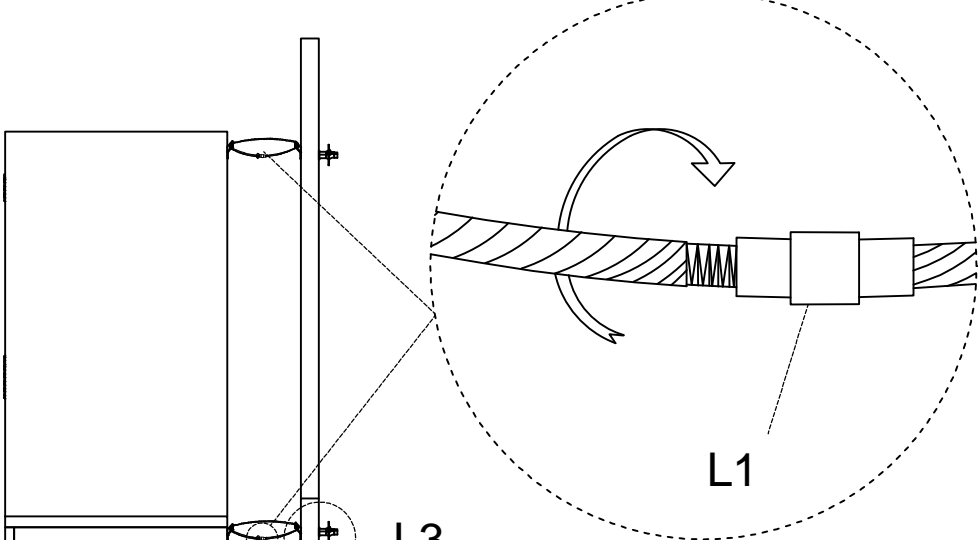
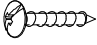
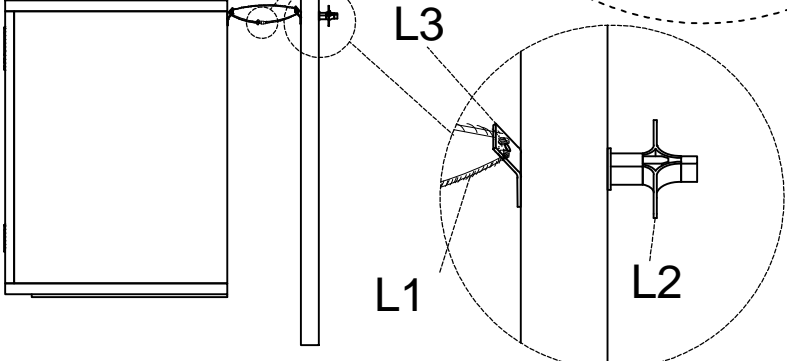
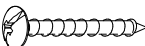


Assembly is Complete

ASSEMBLY INSTRUCTION

ITEM NOTE : WF530402/WF530403 - N715P228702/N715P228703
SIDEBOARD

Anti Tip kit - 2 sets

<p>L1</p>  <p>Restraint Strap 2pcs</p>	
<p>L2</p>  <p>Plastic Anchor 2pcs</p>	
<p>L3</p>  <p>Metal Braket 4pcs</p>	
<p>L4</p>  <p>Umbrella head Screws M4 x 20mm 2pcs</p>	
<p>L5</p>  <p>Umbrella head Screws M4 x 40mm 2pcs</p>	