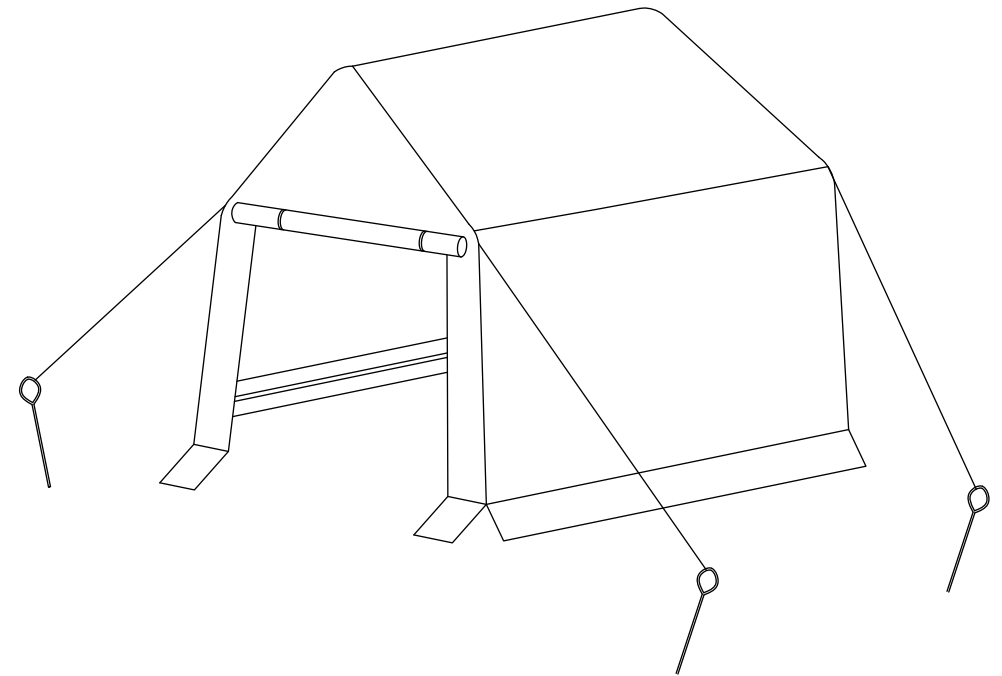


## User Manual

# HOGYME



Model Number: HG61S1277  
HG61T1278

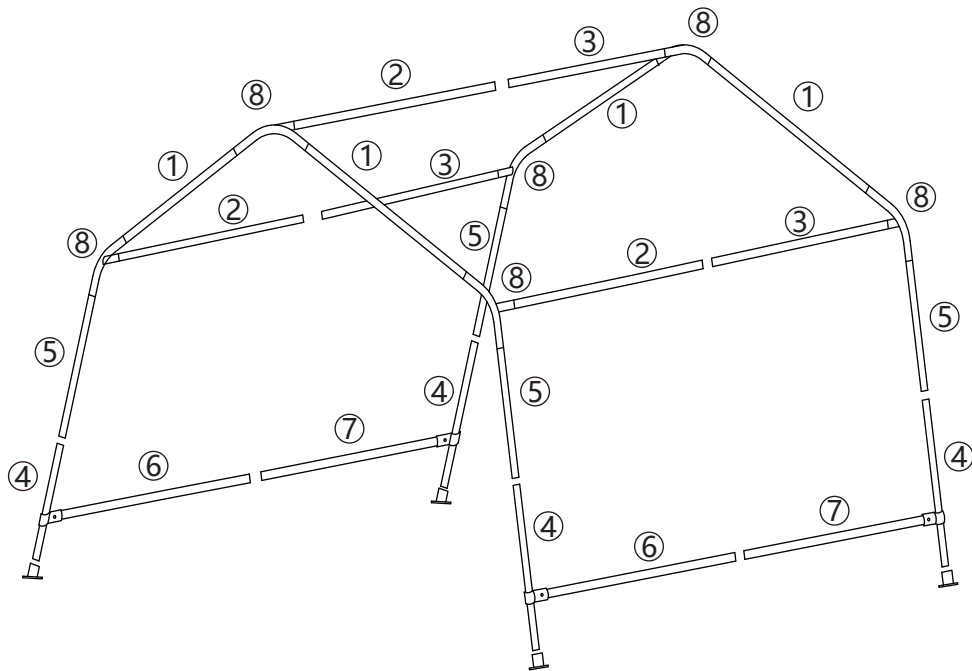
# HOGYME

## You need

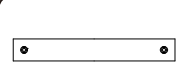

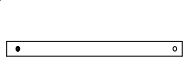
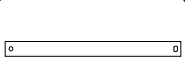
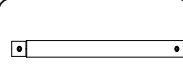
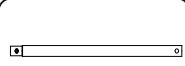
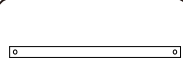
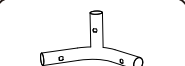



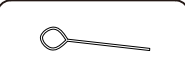

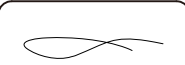



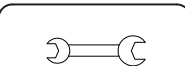
① 2 persons needed



② Please wear gloves before assembling



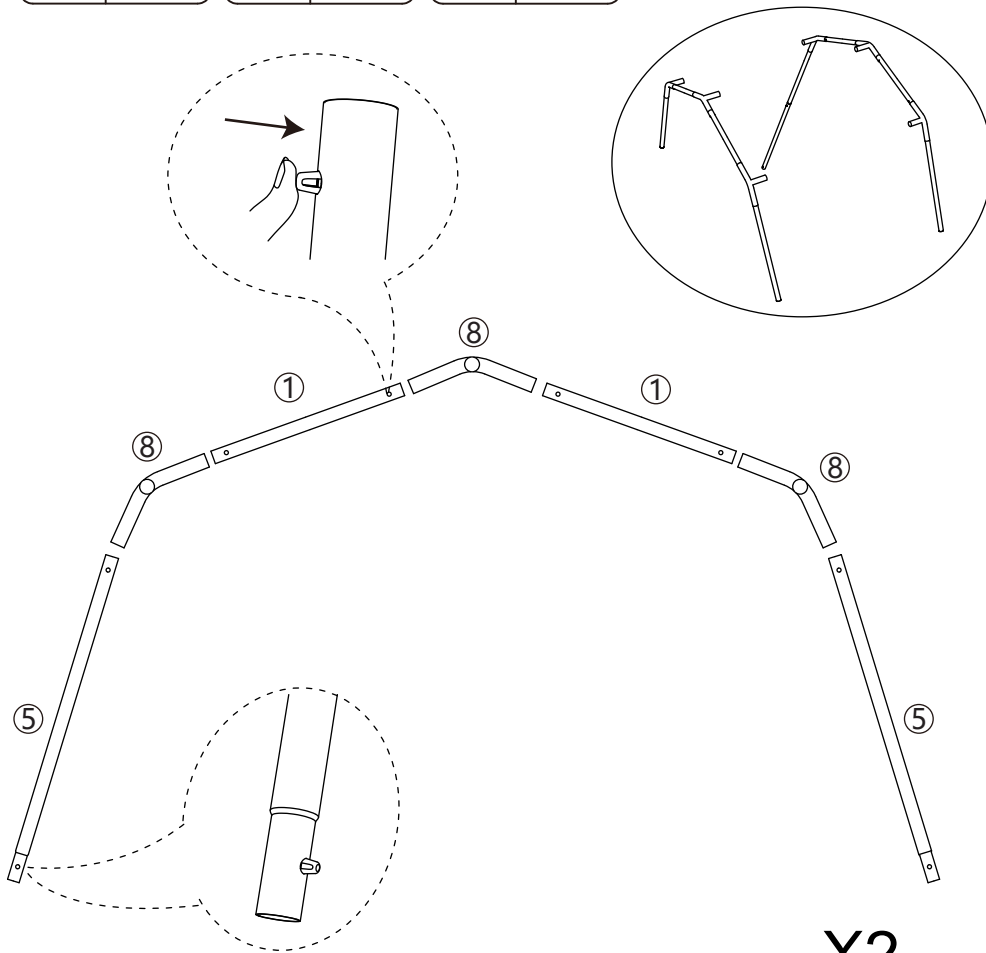
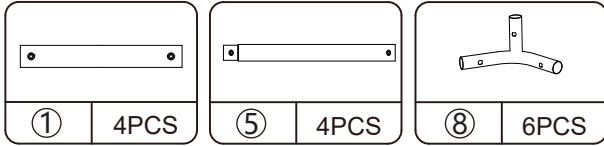
## Hardware List

 Ø34x500mm ①   4PCS	 Ø34x1030mm ②   3PCS	 Ø34x1030mm ③   3PCS	 Ø34x1030mm ④   4PCS
 Ø34x840mm ⑤   4PCS	 Ø28x1033mm ⑥   2PCS	 Ø28x1033mm ⑦   2PCS	 Ø38x290x145mm ⑧   6PCS
 M8x45mm A   4PCS	 M6x40mm B   4PCS	 115x115x50mm C   4PCS	 Round Peg D   4PCS
 7-Shape Peg E   12PCS	 Elastic Rope F   4PCS	 G   8PCS	 Carport Tent H   1PC
 J   1PC	 M6/M8 K   1PC		

PRODUCT ASSEMBLY

 Check the package contents before getting started !

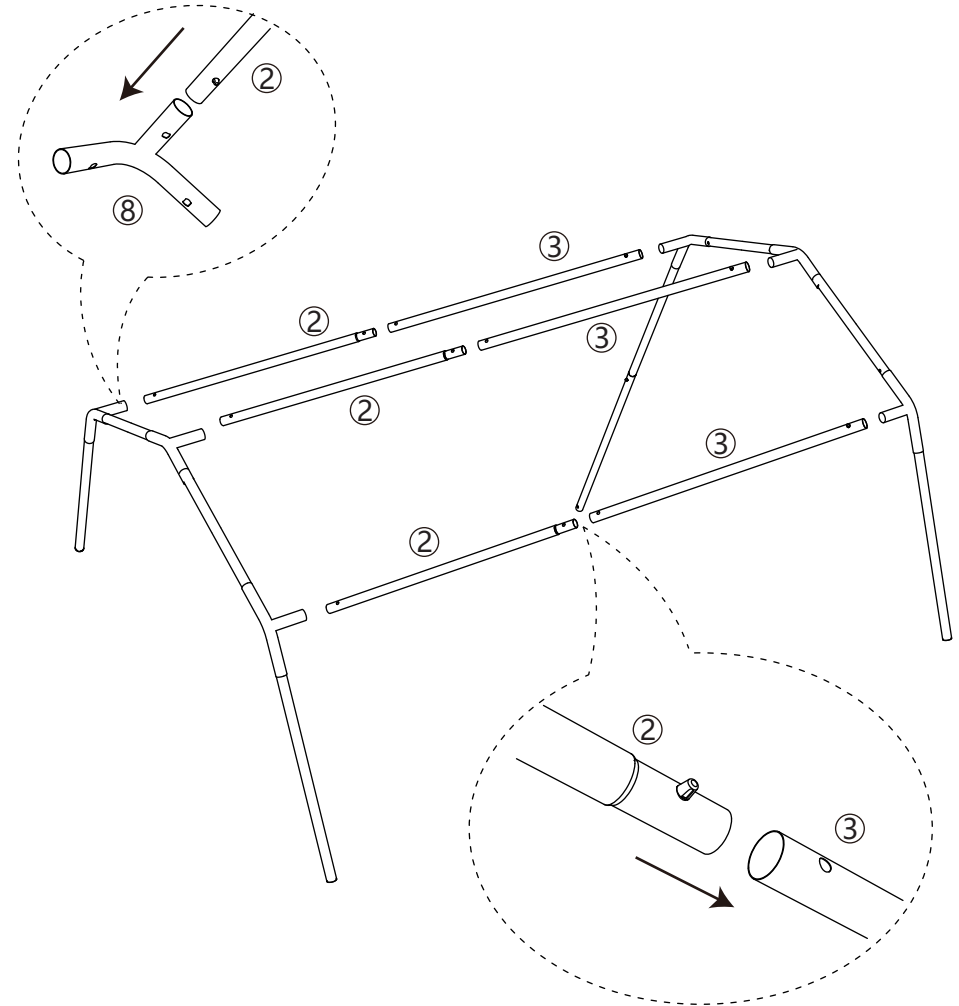
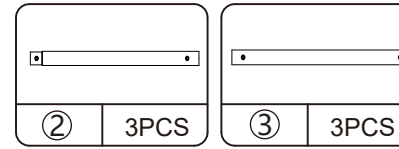
**STEP 1**



X2

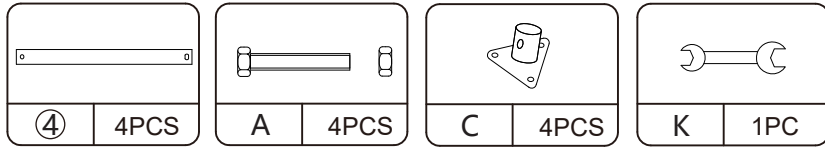
PRODUCT ASSEMBLY

**STEP 2**

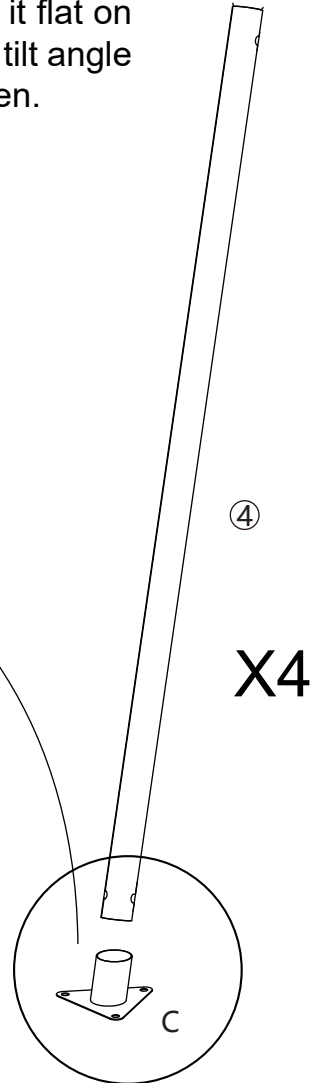
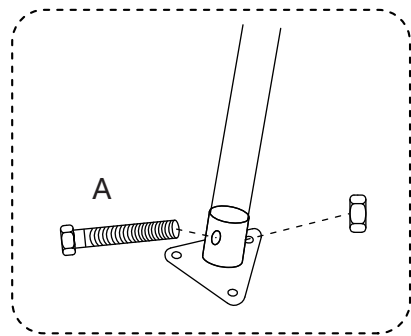
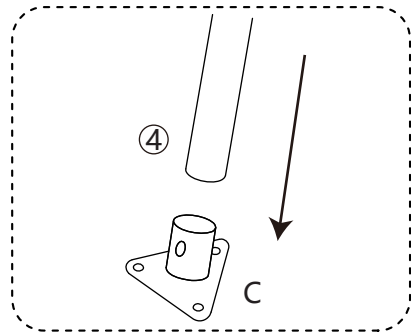


PRODUCT ASSEMBLY

STEP 3

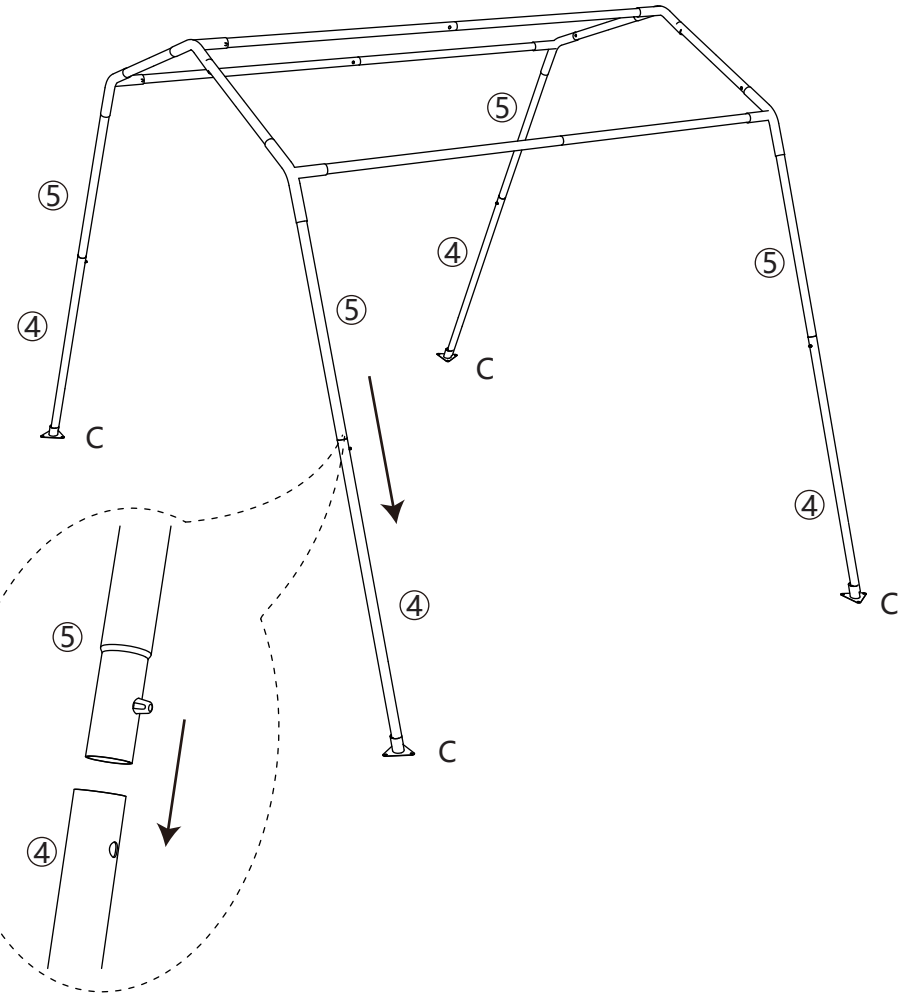


Part C has a tilt angle. Please put it flat on the ground and assemble with the tilt angle inward, or the bottom will be uneven.



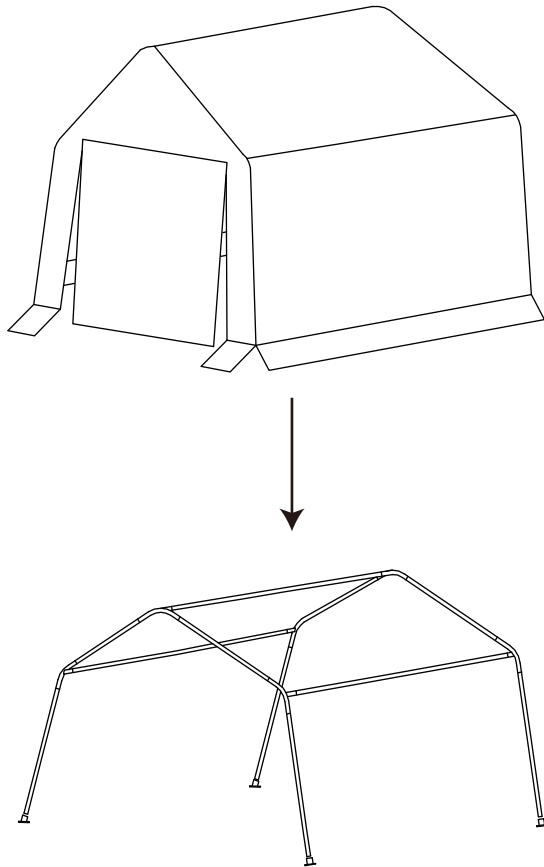
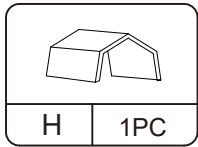
PRODUCT ASSEMBLY

STEP 4



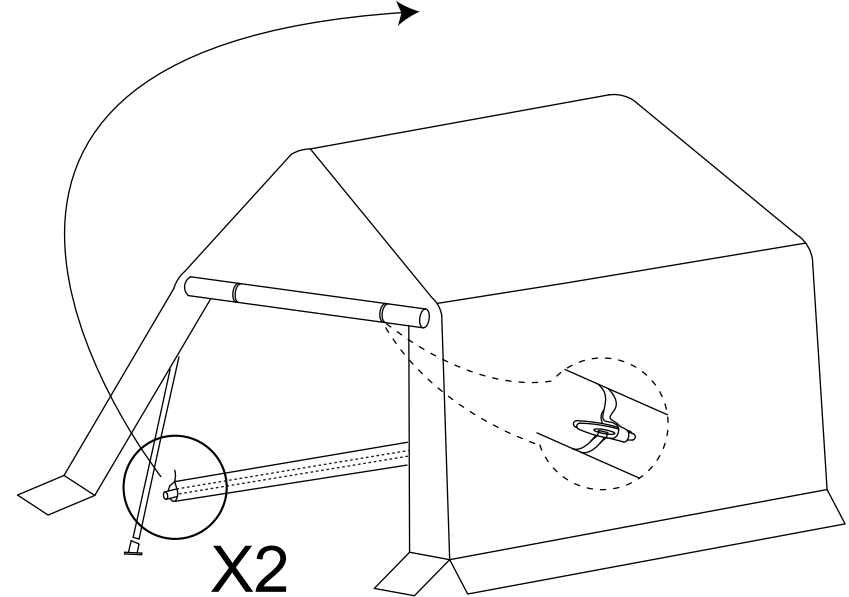
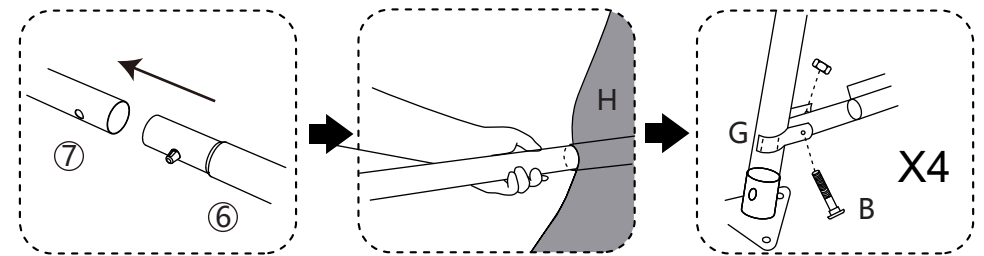
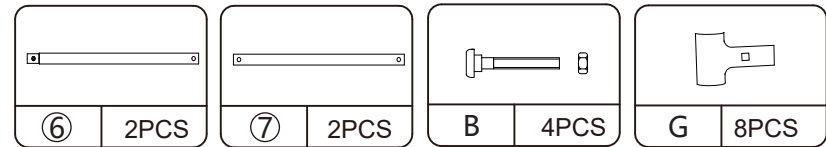
PRODUCT ASSEMBLY

STEP 5

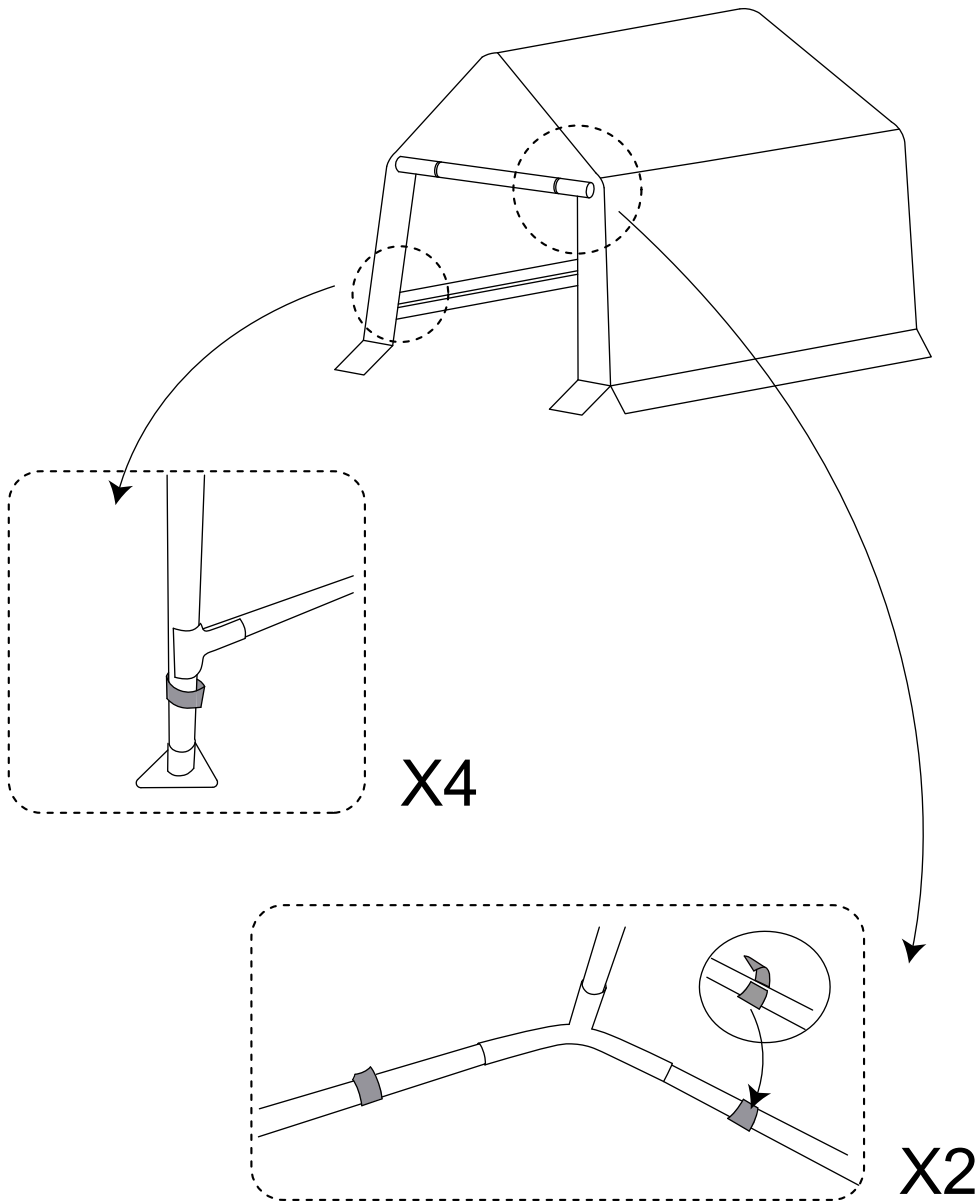


PRODUCT ASSEMBLY

STEP 6



STEP 7



STEP 8

