



**Brenham™**  
Wall-Mount Bathroom Sink  
**K-1997-1NR**

**Features**

- Single faucet hole.
- Oval basin.
- Sealed overflow drain.
- Right-hand hole drilled for soap or lotion dispenser.
- Includes wall hanger.

**Material**

- Vitreous china.

**Installation**

- Wall-mount
- Drilled for concealed arm carrier installation.

**Optional Accessories**

- K-8998 P-Trap
- K-1998 Shroud

**Components**

Additional included component/s: Hanger (2 required).



**ADA** **CSA B651** **OBC**

**Codes/Standards**

ASME A112.19.2/CSA B45.1  
ADA  
ICC/ANSI A117.1  
CSA B651  
OBC

**KOHLER® One-Year Limited Warranty**

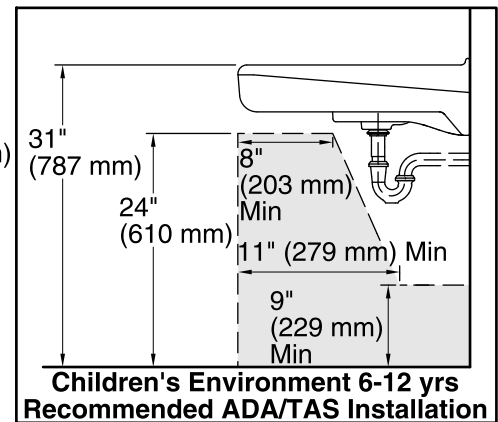
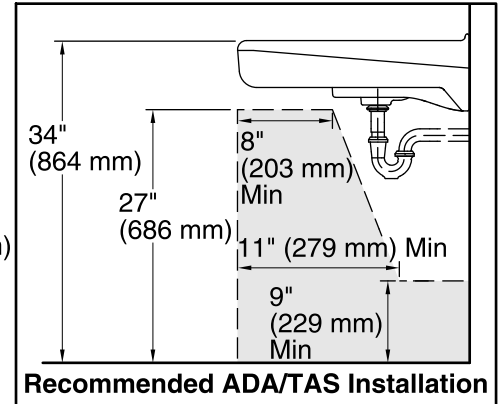
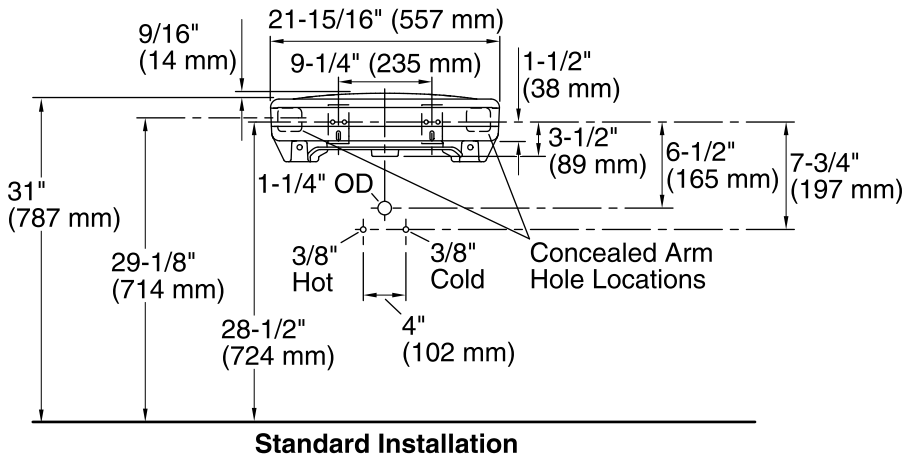
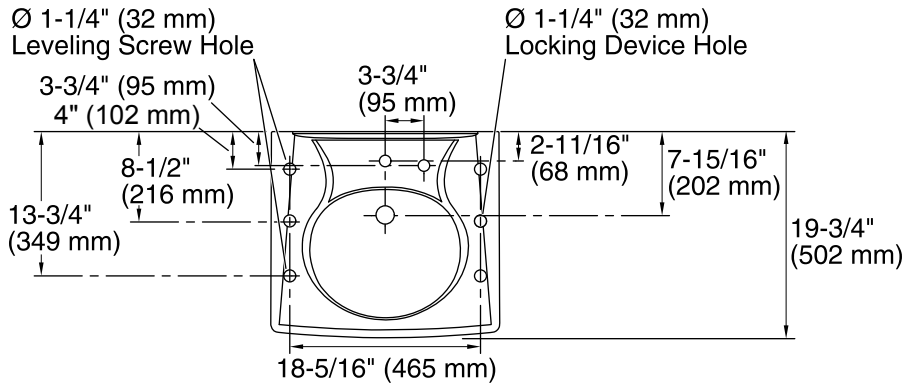
See website for detailed warranty information.

**Available Color/Finishes**

*Color tiles intended for reference only.*

**Color Code Description**

■ 0 White



### Technical Information

All product dimensions are nominal.

Bowl configuration:	Single
Installation:	Wall-mount
Bowl area (Only)	Length: 14-3/8'' (365 mm) Width: 12-5/16'' (313 mm) With overflow: Yes Water depth: 3-1/4'' (83 mm)
Number of deck holes:	2
Faucet hole(s):	1-3/8'' (35 mm)
Soap/Lotion hole:	1-1/4'' (32 mm)
Drain hole:	1-3/4'' (44 mm)

### Notes

Install this product according to the installation instructions.

ADA, OBC, CSA B651 compliant when installed to the specific requirements of these regulations.