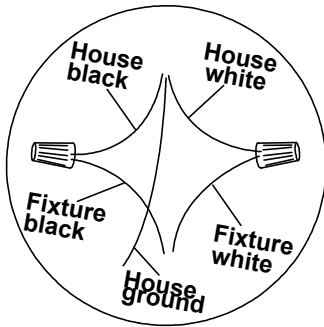




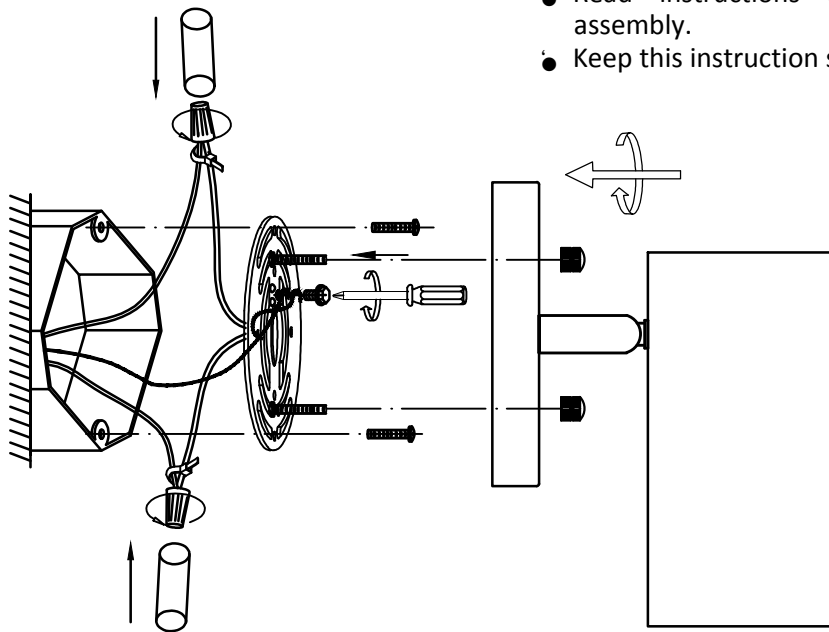
LED PAX
TECHNOLOGY

WB110



START FROM HERE

- Make sure power is completely off at the fuse box.
- Have your fixture installed by a qualified licensed electrician.
- Prepare everything in clear area.
- Wear gloves at all times during this installation.
- Read instructions carefully before you start assembly.
- Keep this instruction sheet for future reference.



INSTALLATION INSTRUCTIONS:

1. Remove the fixture from its original packaging and remove the fixture mounting plate from within the hardware package
2. Attach the mounting plate (1) to the electrical junction box on the fixture with the screws provided and connect the wires (2-1) according to the color (White to White , Black to Black , Ground to Ground)
3. Attach the fixture to the mounting plate and fix by the nuts(2-2).
4. Install bulb (3) and enjoy the light.

