

Model : WS-FPZ230-42A-BR

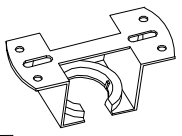
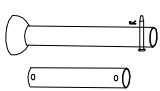
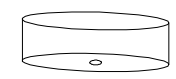

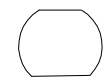
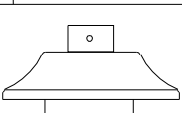
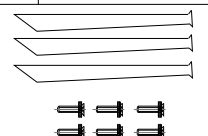

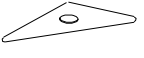

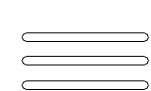
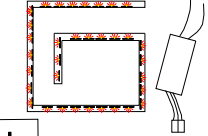
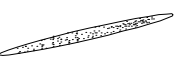

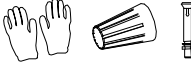
Input voltage: 85-265V 50/60Hz

Thank you very much for using our company's products.

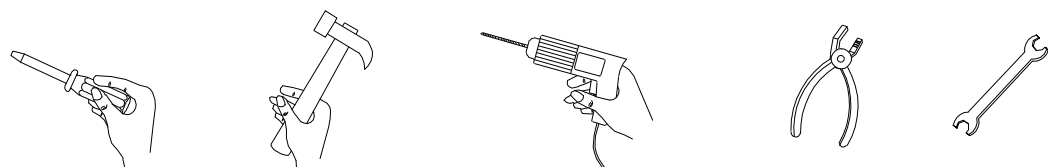
Current range of telephone after-sales service  
 Language: English only Country: USA and Canada  
 Customers from other countries are advised to contact us via email.  
 AFTER-SALES SERVICE Email: all-support@depuley.com  
 AFTER-SALES SERVICE TEL: (888)985-3006 Depuley  
 (888)986-0020 DLLT  
 Mon-Fri 9am-5pm(PST)



**Part list:**

				
A *1	B *1+*1	C *1	D *1	E *1
				
F *1	G *3+*6	H *1	I *1	J *1
				
K *3	L *1+*1	M *1	N *1	O *1+*5+*3

**Tools**



**Installation instructions**

