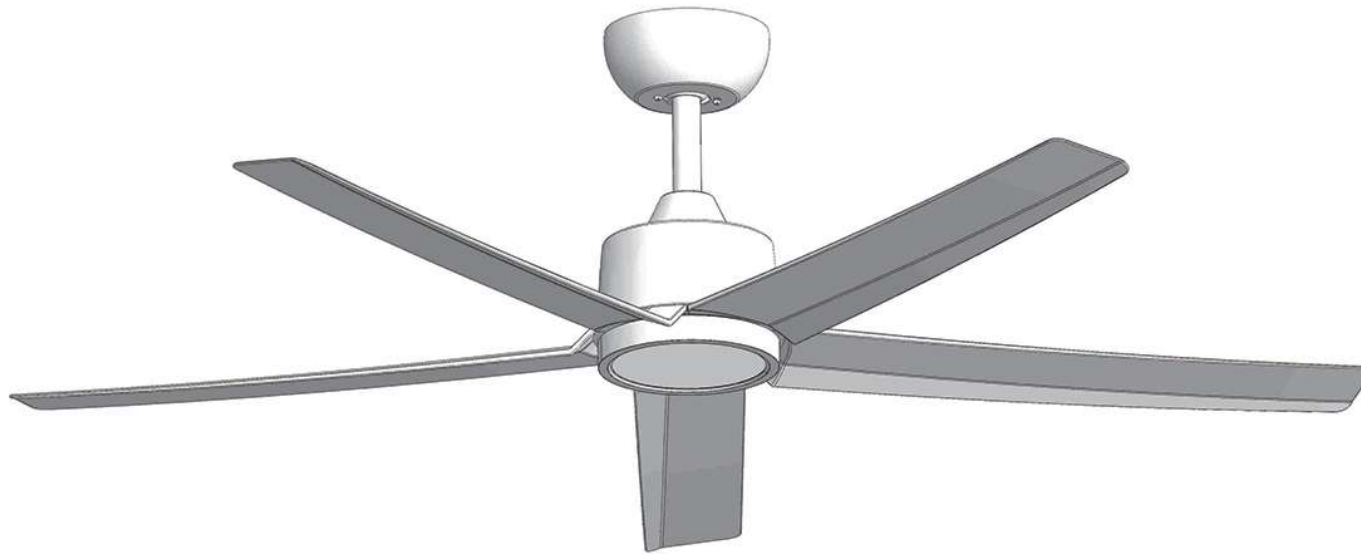
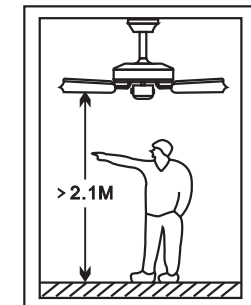


# Technical specifications

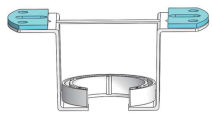


Disconnect power prior to installation, inspection, or removal  
 Do not touch when light is on or when it is hot  
 If there is any problem with the fixture, turn power off and do not attempt to repair unless you are a qualified technician  
 Do not expose to water or rain  
 Ensure that after the fan is installed, its lowest point is no less than 2.1 meters from the ground.

Model NO.	SKU NO.	Fan Size	Input Voltage	Power
9001	OC44-BK-5D-W5	44 Inch	AC100-240V 50/60Hz	Fan: 30W Lamp: 15W
	OC44-WE-5D-W5			
	OC52-WE-5D-W5	52 Inch	AC100-240V 50/60Hz	Fan: 30W Lamp: 15W
	OC52-BK-5D-W5			
	OC52-WG-5D-W5			
	OC52-BG-5D-W5			
	OC52-BK-5D-W5-SM			
	OC52-WE-5D-W5-SM			



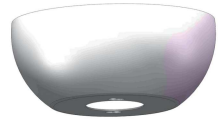
# Packing List



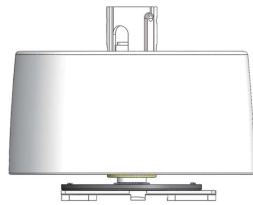
Hanger Bracket



Coupling Cover



Canopy



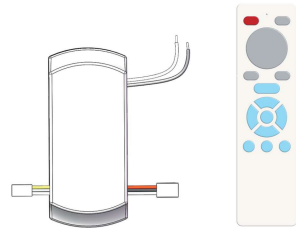
Fan Motor Assembly



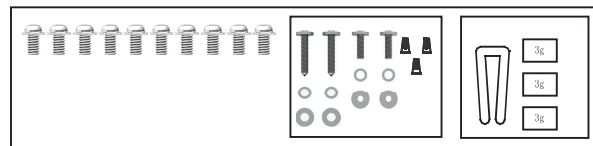
Downrod



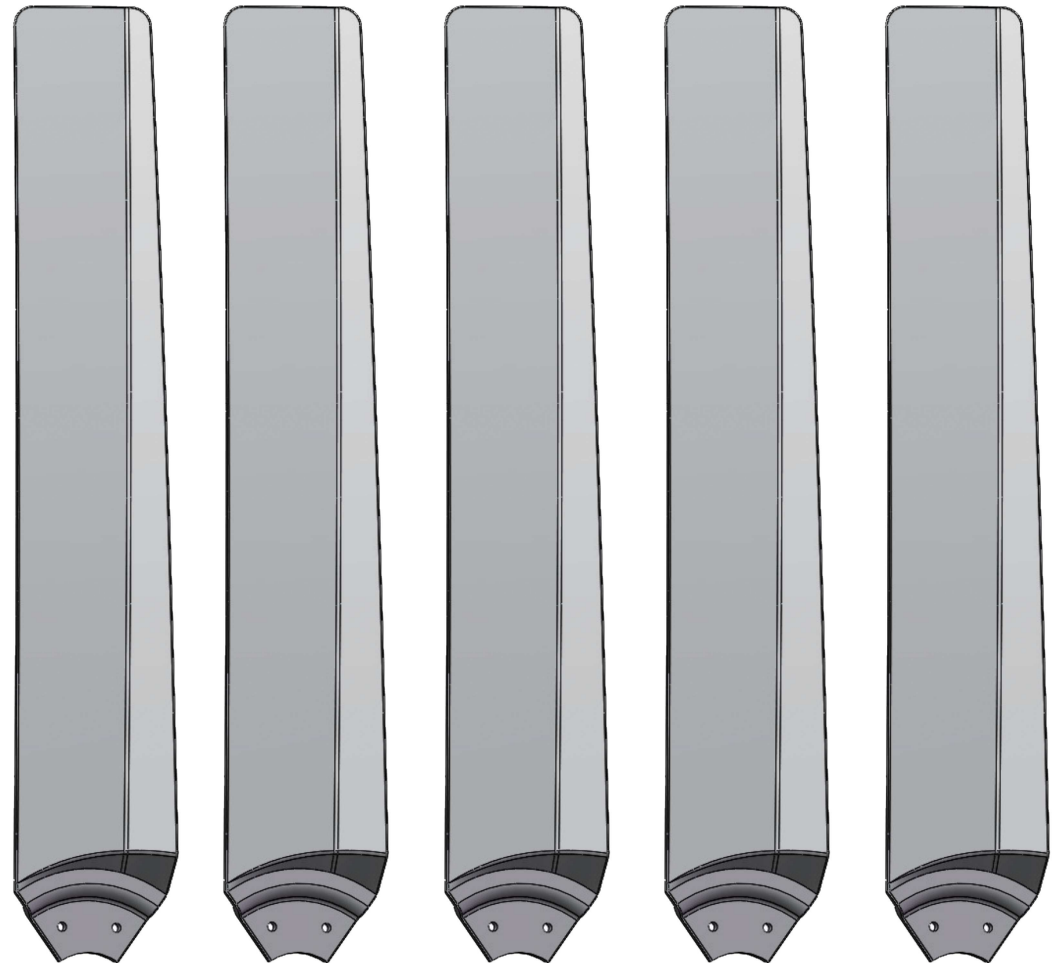
Lamp



Remote Control



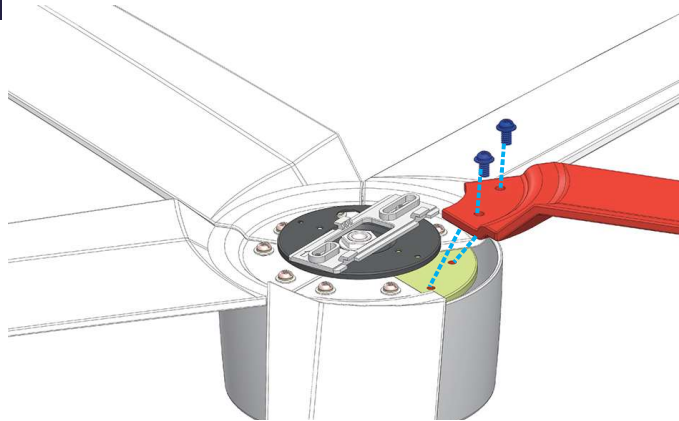
Screw Pack



Blade

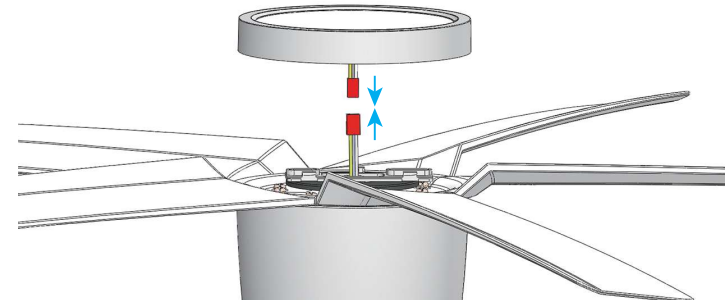
# Installation Guide

1



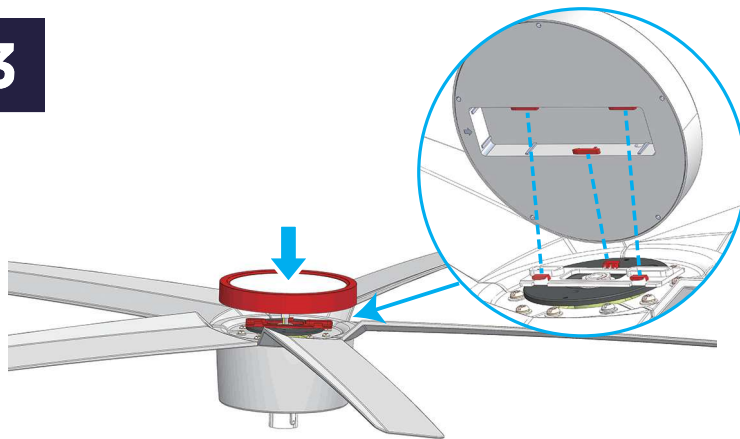
Fix the blades to the fan motor

2

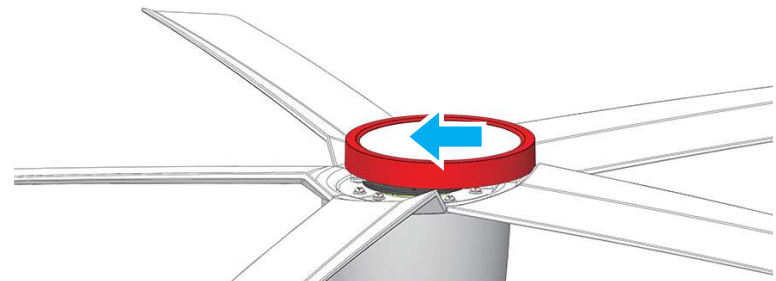


Connect the wires of the light fixture

3

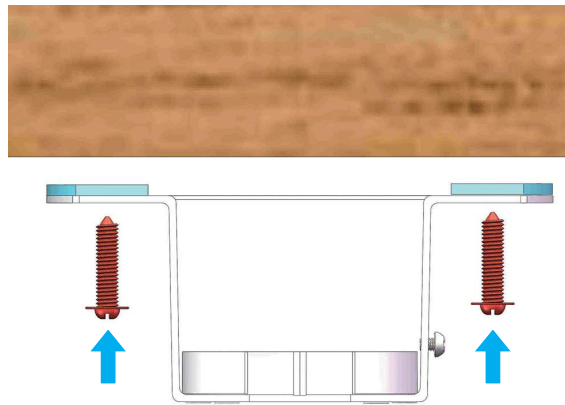


Install the light lixture onto the fan



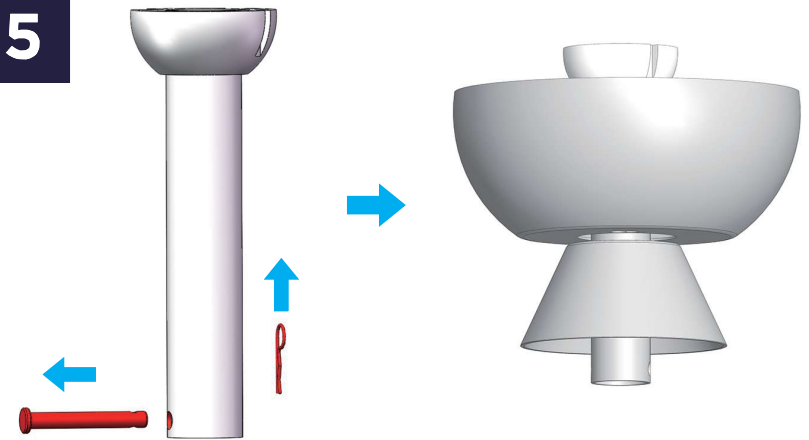
Slide the lamp fixture onto the light mounting bracket until it locks securely place

4



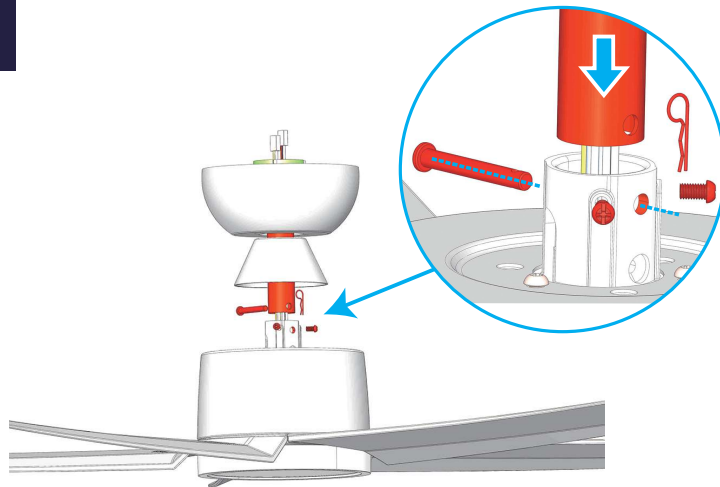
Fix the mounting bracket to the ceiling

5



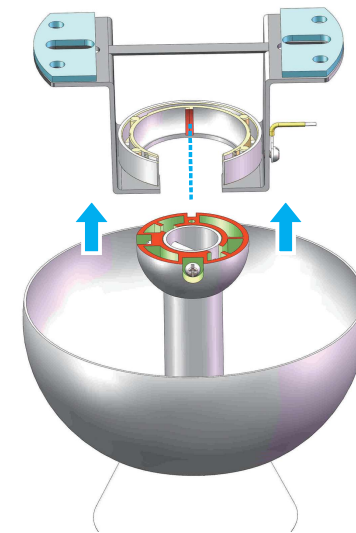
Disassemble the downrod and slide the canopy and coupling cover onto the downrod.

6



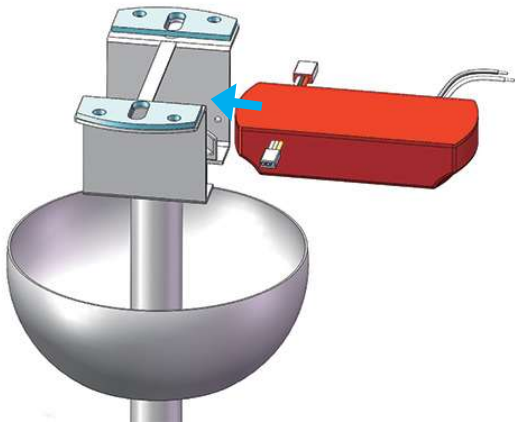
Assemble the downrod and the fan motor assembly, then secure them together using the Pin

7



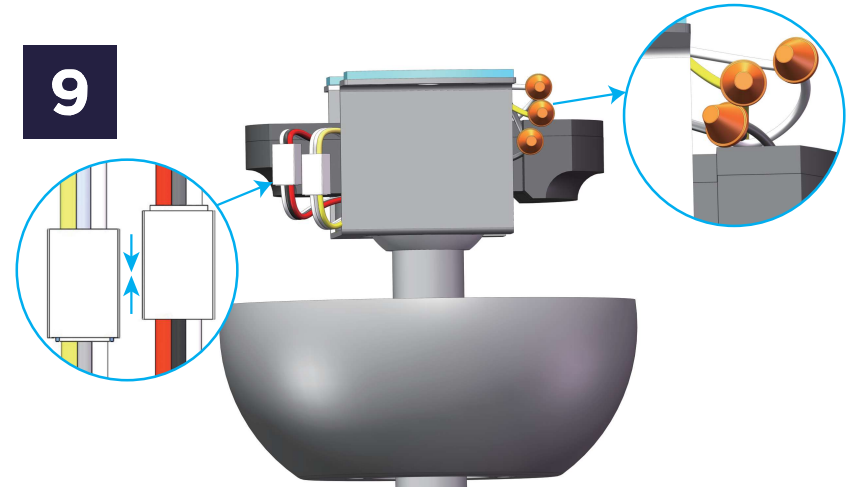
Hang the assembled fan onto the mounting bracket on the ceiling

8



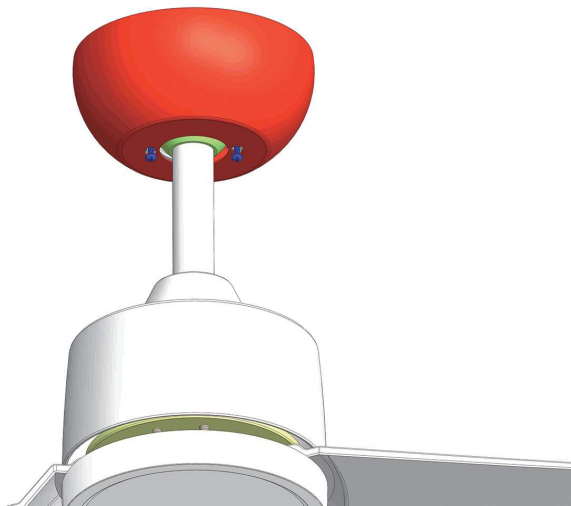
Insert the controller into the gap of the mounting bracket

9

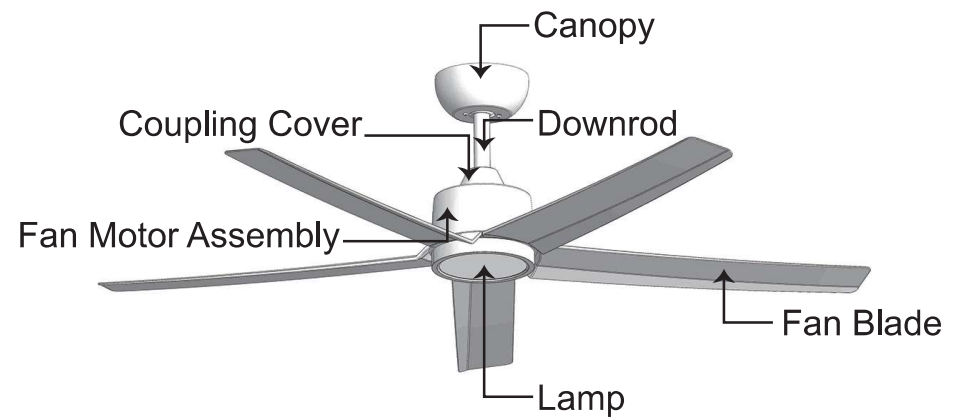


Interconnect the wires, including the power cord and fan controller cord. (Important: Connect the wire from the hanger bracket to the ground wire in your ceiling)

10



Secure the canopy with screws



### **Situation 1**

After turning on the wall switch, the light works, but the remote can't control the light or fan.

#### **Solution:**

Check if the remote batteries are fully charged and properly installed.

Re-pair the remote.

### **Situation 2**

After turning on the wall switch, the light works, and the remote controls the light but not the fan.

#### **Solution:**

Check the fan motor's wiring to ensure all connections are secure and not loose.

### **Situation 3**

After turning on the wall switch, the light and fan don't work, and the remote can't control the light or fan.

#### **Solution:**


Reconnect the fan's power wires and ensure the wall switch is properly installed.

### **Situation 4**

After turning on the wall switch, the light doesn't work, but the remote controls the fan.

#### **Solution:**

Check the wiring between the light and motor to ensure secure connections. Also, check the wiring between the motor and the controller.

**Pairing the Remote:** Turn on the power, press and hold the "  ON/OFF " button within the first 5 seconds of the light turning on. When you hear the "beep" sound or see the light flashing, the pairing is successful.

If you encounter any of the above issues or other unlisted problems that can't be resolved using the steps provided, please contact the seller for assistance.

**Service Mailbox:** [ociocservice@outlook.com](mailto:ociocservice@outlook.com)

**Note:** The light has three color temperatures. Quickly toggle the light on and off to change settings. After turning off the light for 7 seconds, it will remember the last setting for the next time you turn it on.