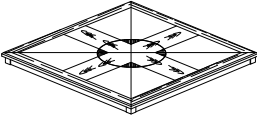
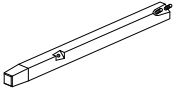
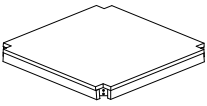






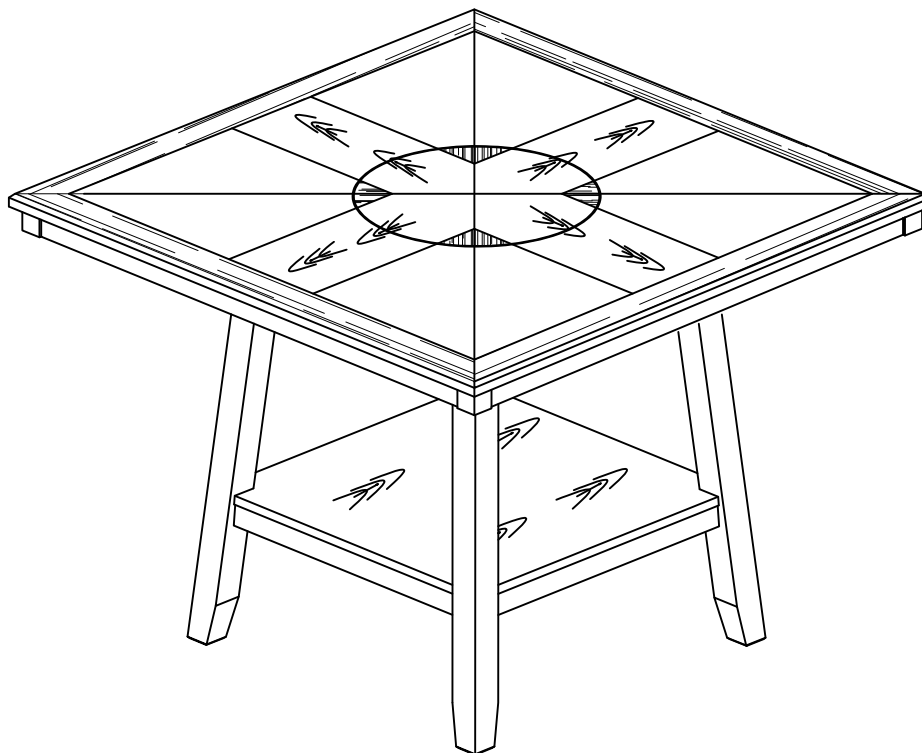


ASSEMBLY INSTRUCTIONS

60570-59-01/02 SENECA CNTR HT. TABLE PART LIST

PART	DRAWING	DESCRIPTION	QTY
A		Table Top	1
B		Table Legs	4
C		Bottom Shelf	1

PART	DRAWING	DESCRIPTION	QTY
H1		Allen Bolt (Ø5/16" *60 MM)	4
H2		Hex Nut (Ø5/16")	8
H3		Lock Washer (Ø5/16")	12
H4		Flat Washer (Ø5/16")	12
H5		Open Wrench (12mm)	1
H6		Allen Key (4mm)	1



COMPLETED COUNTER HEIGHT TABLE ASSEMBLY



United Wood Products, Inc. Customer Service Contact Information:

Toll Free Phone Number: 1-844-771-2727

Email: consumercare@ufifurniture.com

Website: www.lanefurniture.com

PLEASE NOTE: With use, screw may become loose & must be tightened periodically.

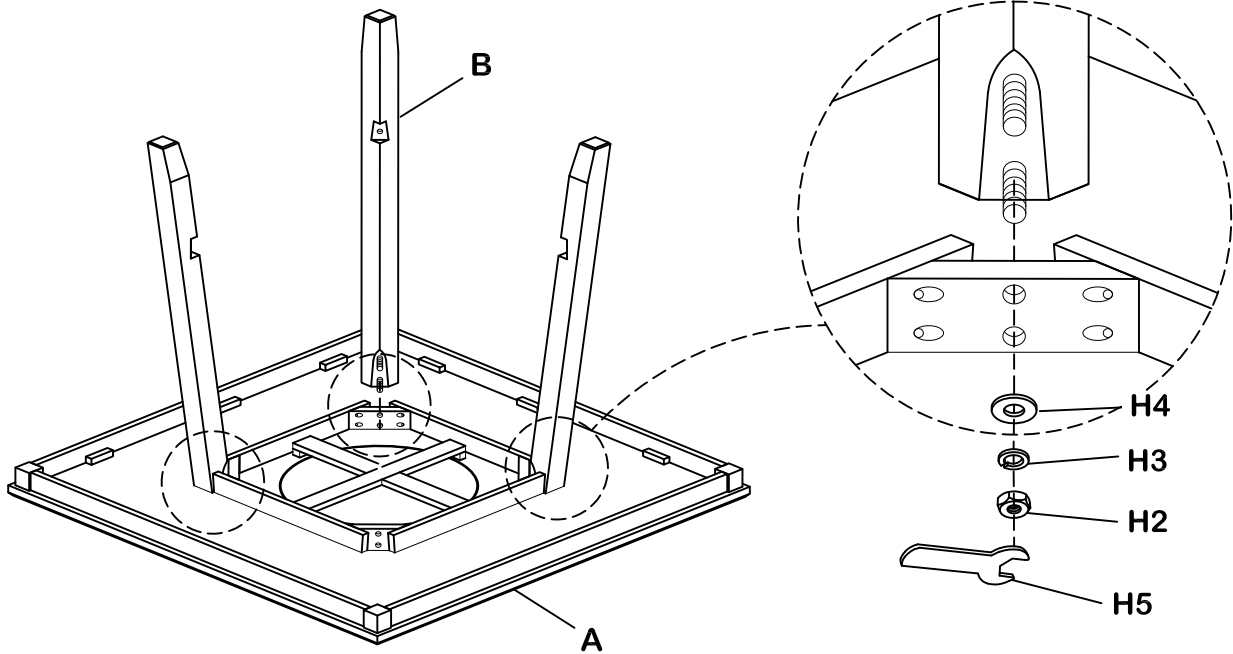
MADE IN VIET NAM

ASSEMBLY INSTRUCTIONS

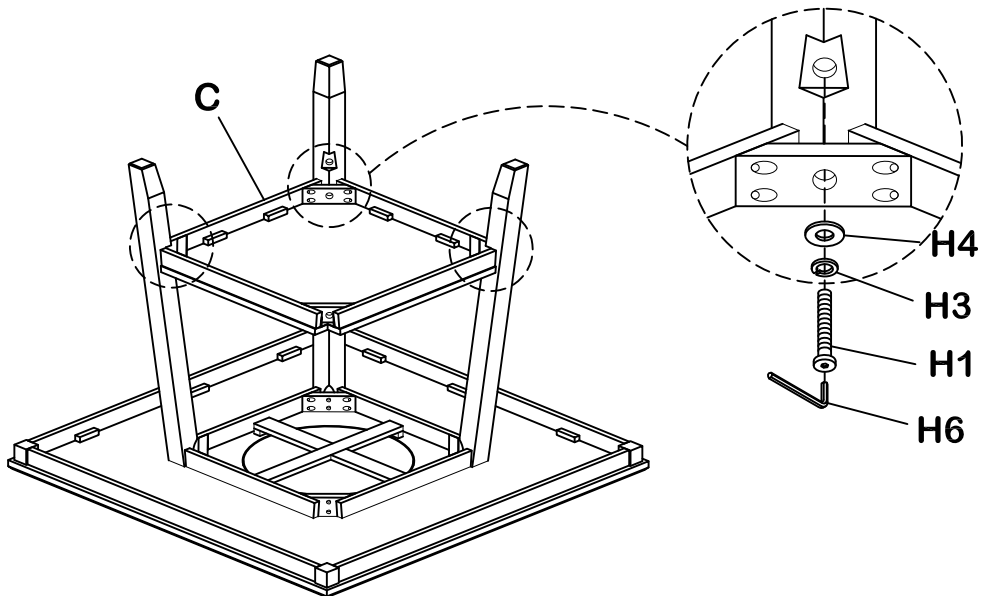
STEP 1

Important:

1. Please lay the Table on a clean, soft surface to assemble.
2. Do not over-tighten screws/ bolts until assembly is completed.



STEP 2



United Wood Products, Inc. Customer Service Contact Information:

Toll Free Phone Number: 1-844-771-2727

Email: consumercare@ufurniture.com

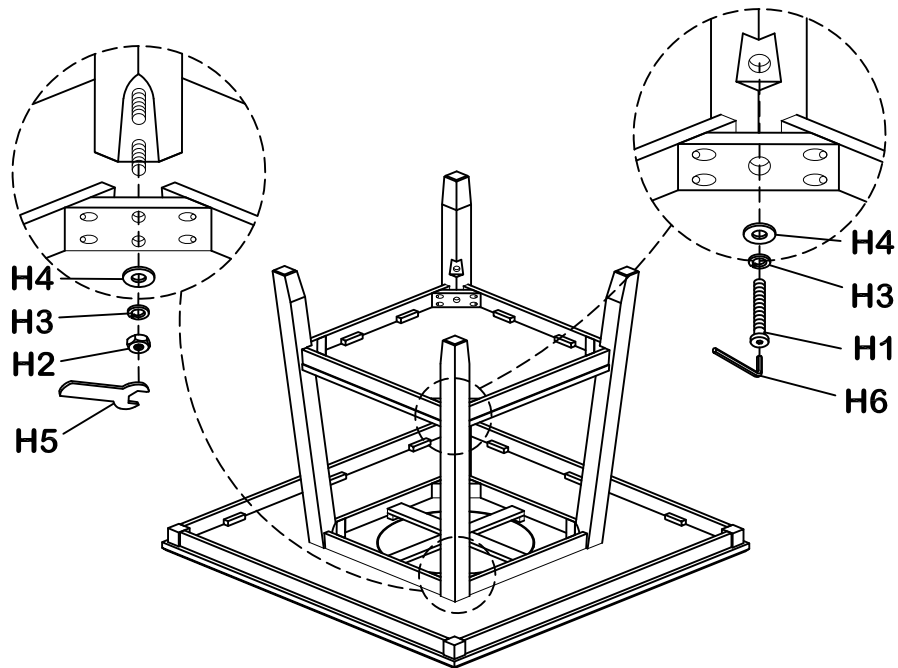
Website: www.lanefurniture.com

PLEASE NOTE: With use, screw may become loose & must be tightened periodically.

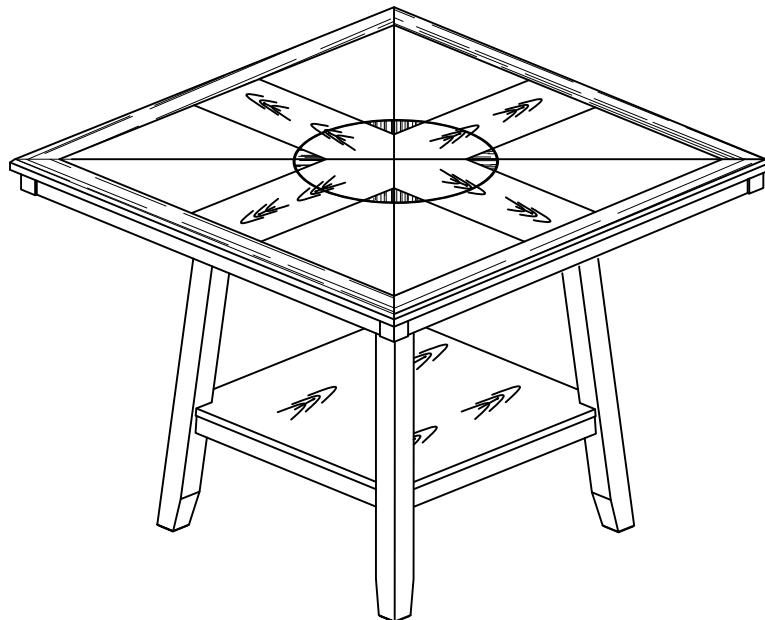
MADE IN VIET NAM

ASSEMBLY INSTRUCTIONS

STEP 3



STEP 4



United Wood Products, Inc. Customer Service Contact Information:

Toll Free Phone Number: 1-844-771-2727

Email: consumercare@ufifurniture.com

Website: www.lanefurniture.com

PLEASE NOTE: With use, screw may become loose & must be tightened periodically.

MADE IN VIET NAM