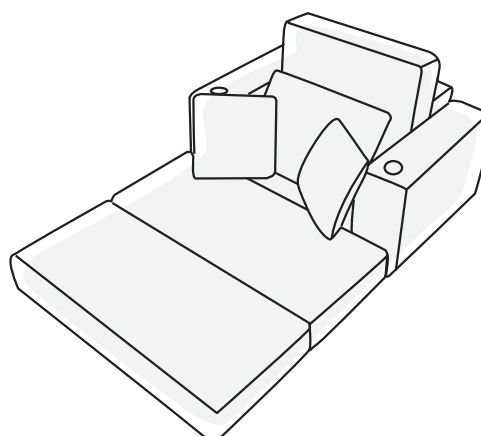
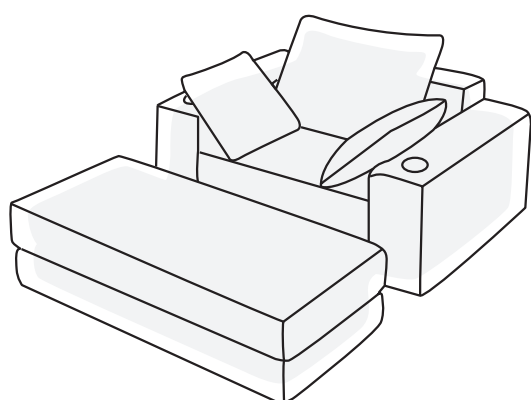
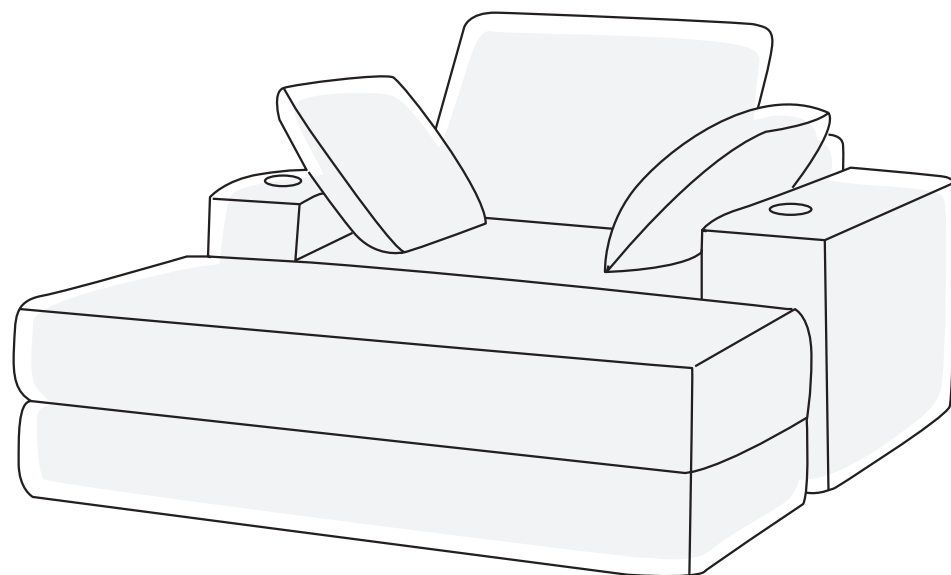


INSTRUCTION



3 in 1 Chaise Lounge Indoor

for living room, reading room, Bedroom

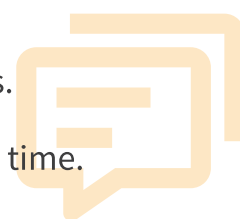


Scan the QR code to watch the installation video



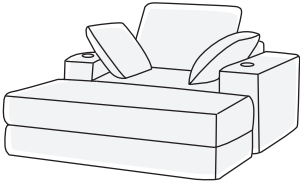
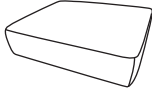


Customer service QR code

The sofa's rebound time is 96 hours. If you have any questions, please feel free to contact us at any time.



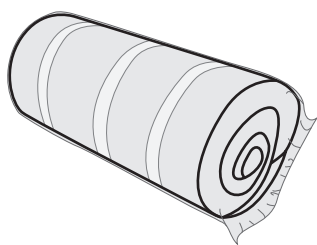
FurnitureAssistance@outlook.com

Main structural parts and hardware accessories

NO	DESCRIPTION		QTY	NO	DESCRIPTION		QTY
 <p>This 3 in 1 chaise lounge indoor does not require installation. Just follow the steps below to unpack it.</p>	A	Main body of sofa	1	D	Seat cushion		1
	B	Large back cushion	1	E	Footrest		2
	C	Small back cushion	2	F	Cup holder		2

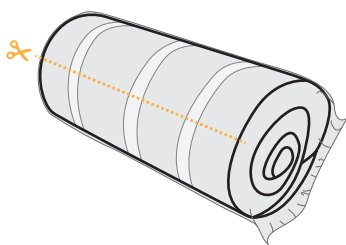
UNPACKING STEPS

Please be careful not to scratch the product when cutting open the package!!!!



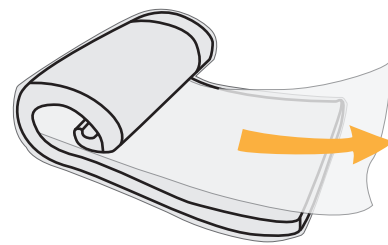
Step 1

Carefully take the entire sofa out of the box and place it where you want to use it.



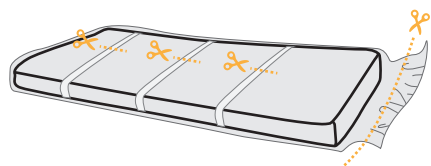
Step 2

Carefully use a paper cutter or scissors to cut along the edge of the package seal.
(please be careful not to damage the product itself)



Step 3

Roll the product along the edges and stretch it out to a flat surface.



Step 4

Carefully use a paper cutter or scissors along the edges of the product to unseal and decompress it.
(please be especially careful not to scratch the product in this step!!!)

96 HRS



Step 5

Remove all packaging and allow to settle for at least **96 hours** to allow the product to spring back to its original shape.
A strong tap on this product can greatly reduce his rebound time.

After unpacking, please wait **96 hours** for the product to fully recover to its original shape.