

ASSEMBLY INSTRUCTIONS

# Bar Table

EEl-7546 / V0.11.07.25

---

**modway**



Questions? Contact us!

609.256.9000

[cs@modway.com](mailto:cs@modway.com)

# Welcome.

## Let's get started.

Before you begin, here are some things to keep in mind:

Assembly will take most people **about 30 minutes**. Consider having a friend help you!

**Only use hand tools to assemble this item.** Do not use power tools. Do not tighten bolts or screws completely until all hardware is lined up and inserted into the holes.

**Read through all of the instructions before starting. Make sure you have all parts and components before discarding any packing materials.**

Do not over-tighten screws and bolts to avoid stripping the hardware or cracking the item.

Assemble your item on a flat, carpeted area, with plenty of space to work. This will prevent damage and scratches to your floors or the item while you're assembling the product.

Keep all components and packaging out of reach of children or animals to avoid risk of choking or suffocation.



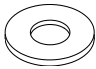

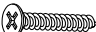
**Care instructions are listed in the last step of this manual.**

**WAIT!**

**Missing parts or hardware? Need assistance?**  
Contact us before returning your item.  
We're here to help!



## HARDWARE INCLUDED IN THE BOX:

A		Bolt 5/16 x 60mm	x8
B		Spring Washer M8	x8
C		K a Washer M8	x8
D		Allen Key M4	x1
E		Screw M4 x 55	x4

## WHAT YOU NEED:



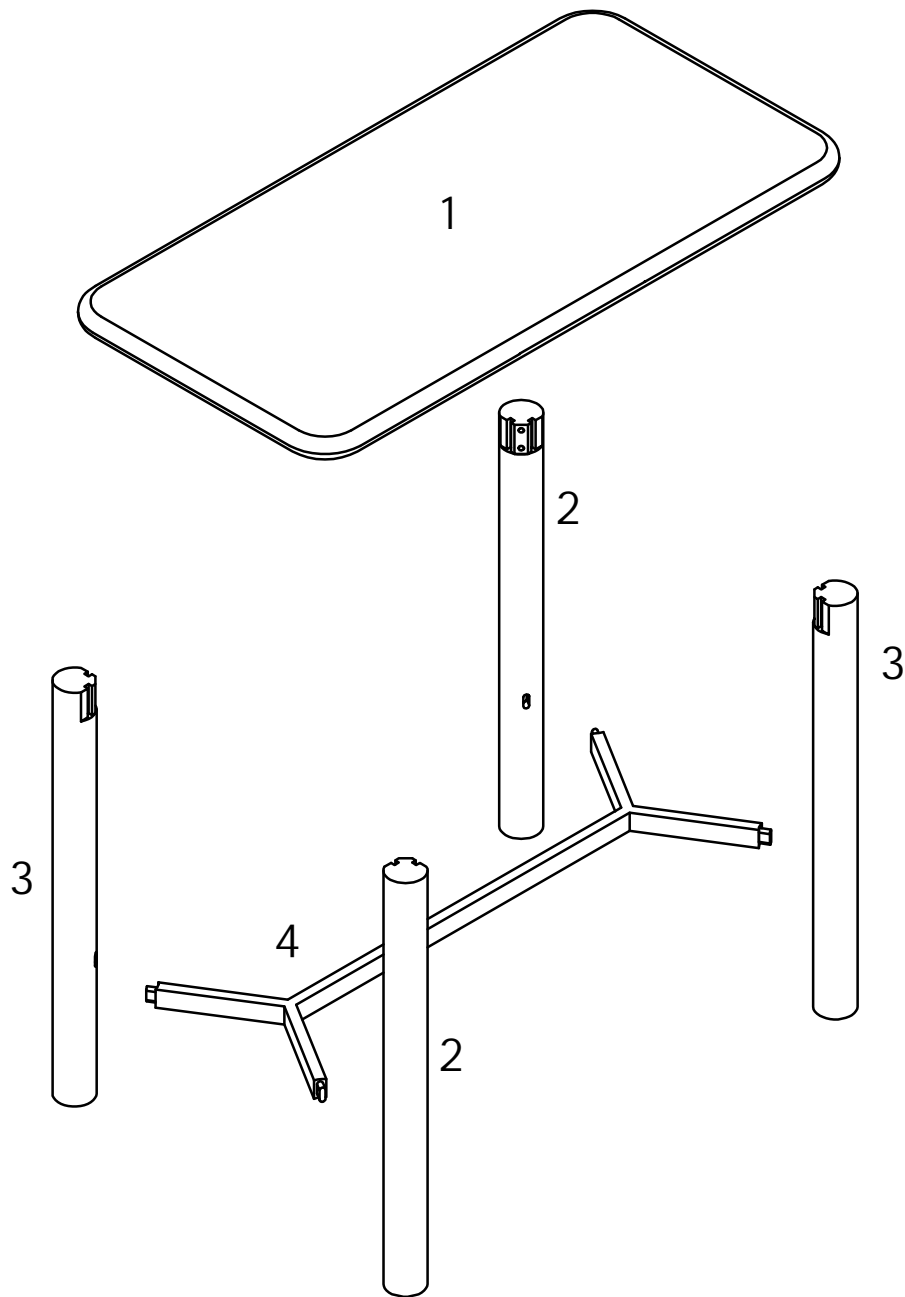
Phillips



**Phillips Head Screwdriver**

# FURNITURE COMPONENTS INCLUDED IN THE BOX:

All parts are numbered with a sticker according to this list.



1	Table Top	x1	2	Leg1	x2	Leg 2	2
4	S re er						

## HARDWARE

**A** Bolt 5/16 × 60mm x4

**B** Spring Washer M8 x4

**C** Flat Washer M8 x4

## COMPONENTS

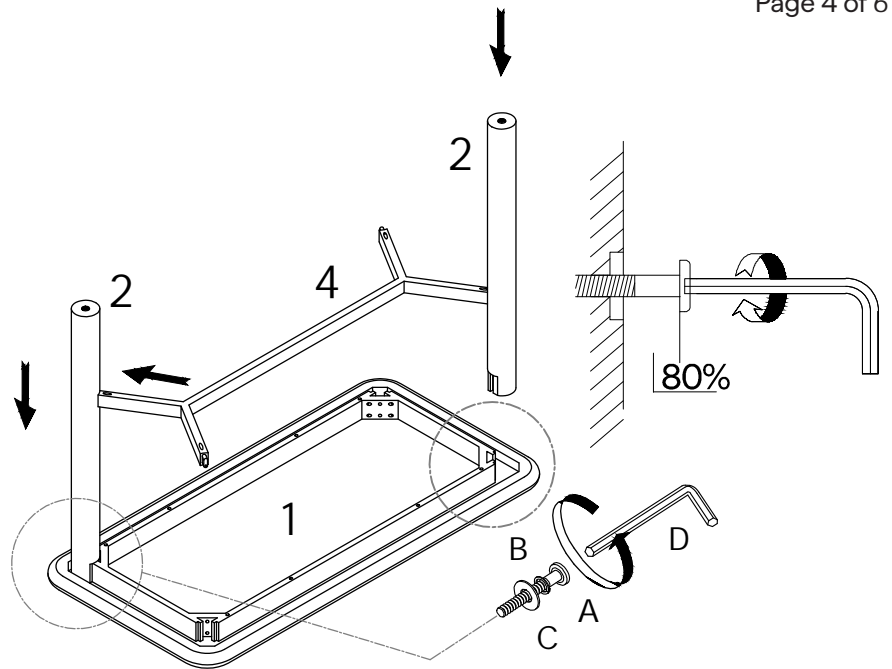
**1** Table top x1

**2** Leg 1 x2

**4** Stretcher x1

## TOOLS

**D** Allen Key x1



1.1 Assemble two Legs 1 (2) and the Stretcher (4) into the Table top (1) using Bolt (A), Spring Washer (B), and Flat Washer (C). Initially tighten the screws to about 80% first, we will fully tighten them in the next step.  
Noted: Do not use Leg 2 (3) at this step.

## STEP 02

## HARDWARE

**A** Bolt 5/16 × 60mm x4

**B** Spring Washer M8 x4

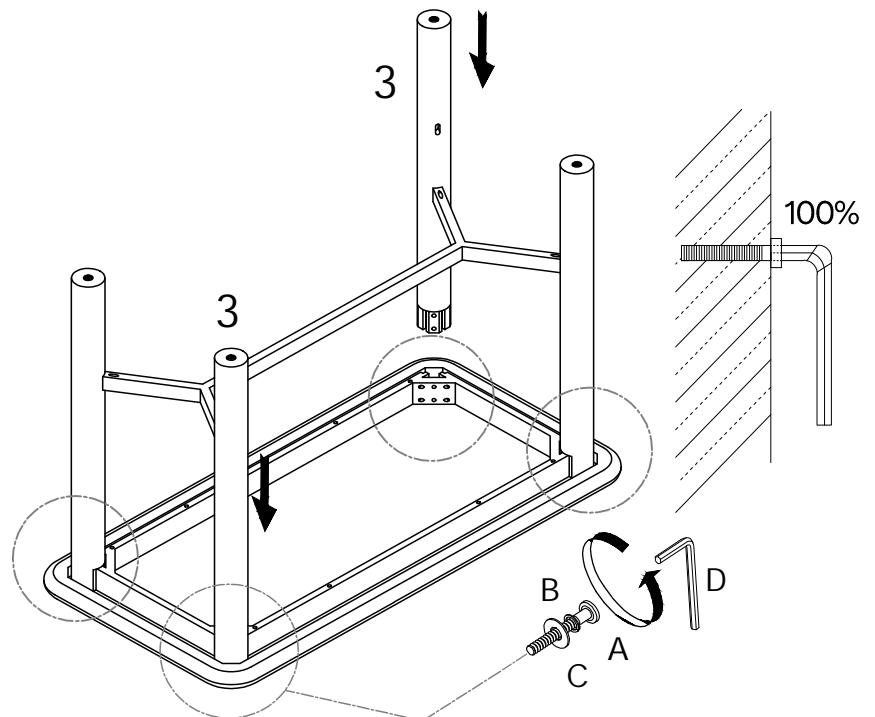
**C** Flat Washer M8 x4

## COMPONENTS

**3** Leg 2 x2

## TOOLS

**D** Allen Key x1



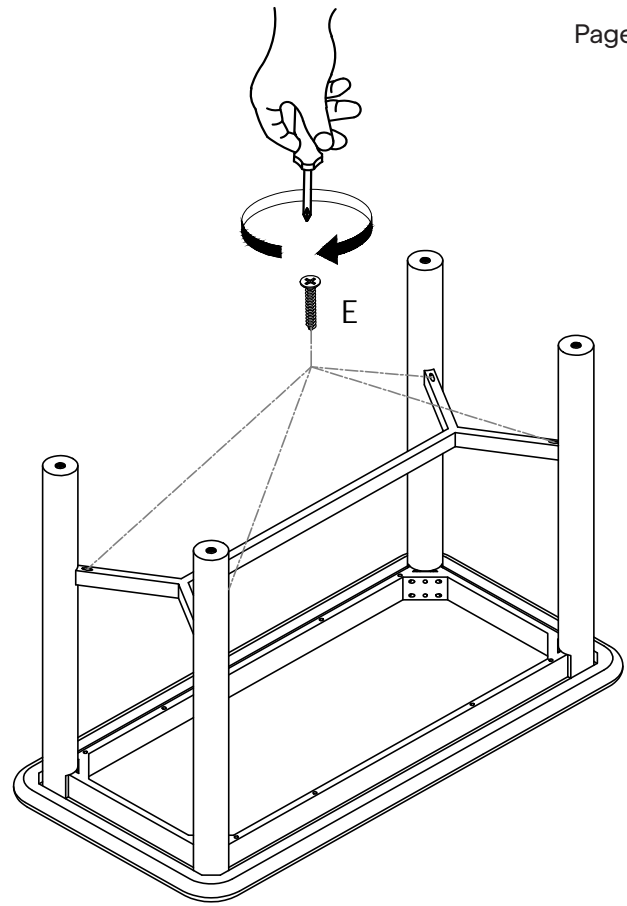
2.1 Assemble the rest Legs 2 (3) into the Table top (1), using Bolt (A), Spring Washer (B), and Flat Washer (C), fully tightened all 8 Bolts (A) with the Allen Key (D) as shown.

### STEP 03

#### HARDWARE

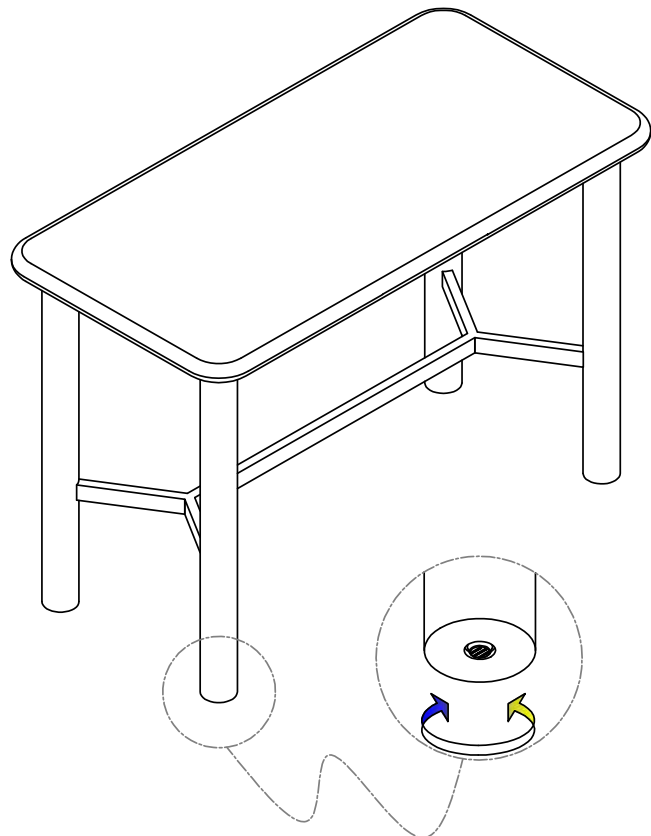
**E** Screw M4 × 55mm x4

3.1 Assemble the Stretcher (4) into the Legs (2),(3) with Screws (E), using a Screwdriver as shown.



### STEP 04

4.1 With help, flip the Bar Table upright. To level the table, reach the leveler under the leg and adjust accordingly.

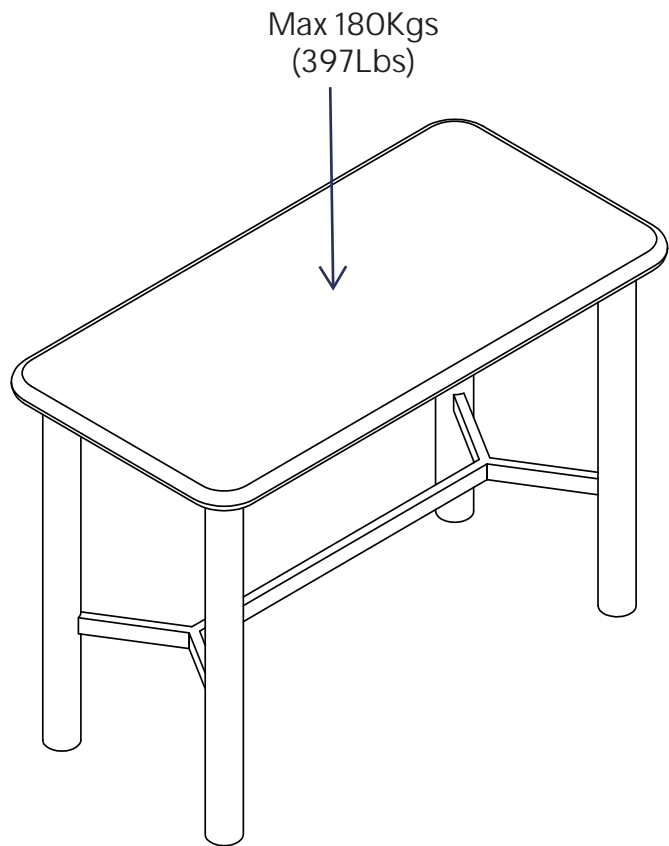


# Great job!

Bar Table assembly is completed and ready for using.

## CARING FOR YOUR ITEM

- Indoor use only.
- Not contract grade.
- Clean using a non-abrasive cloth and a mild cleaner.
- Never use harsh chemicals, as they could damage the finish or integrity of the item.



## CONNECT WITH US!

Tag us [@modway\\_furniture](#) and [#modway](#) for a chance to be featured.

# modway



Questions? Contact us!  
609.256.9000  
[cs@modway.com](mailto:cs@modway.com)