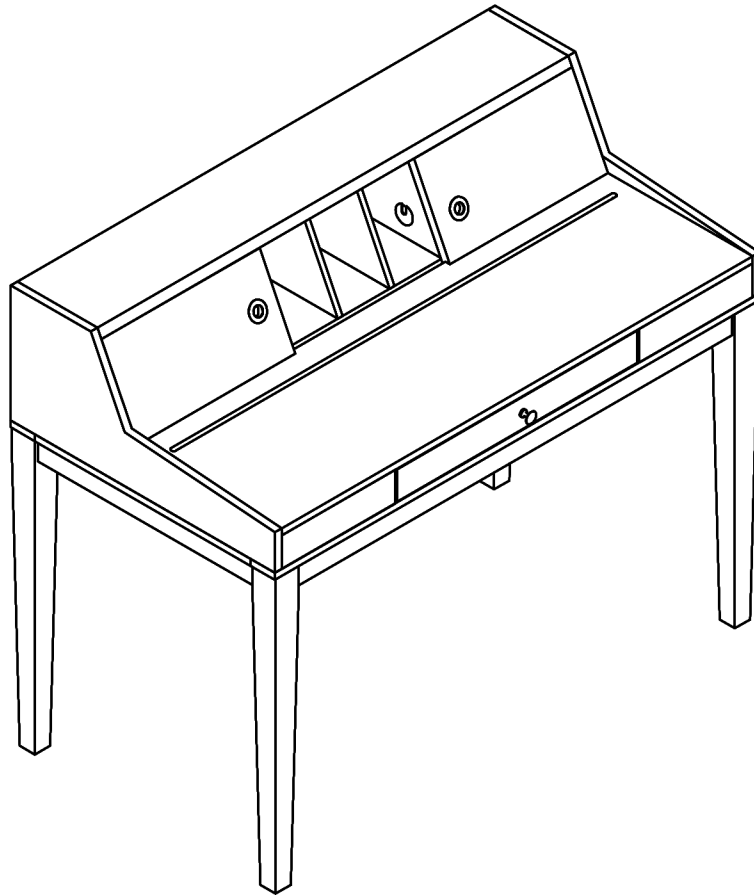


Assembly Instructions



ASSEMBLY RATING

The Assembly Rating is a 5-point system that shows the degree of effort needed in assembling a specific product (with 1 being easy and 5 being difficult). For some products, two persons are recommended.

EASY  DIFFICULT

Tools Required For Assembly:

Allen Wrench



(Included)

Phillips Screwdriver



(Not Included)

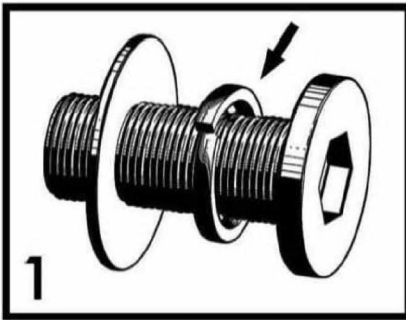


2 PERSONS RECOMMENDED

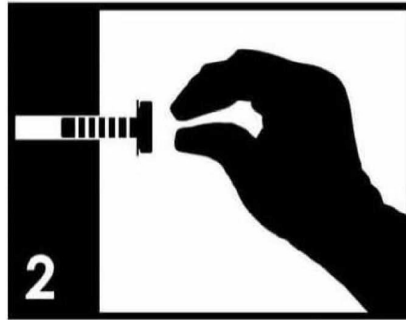
ASSEMBLY & CARE ADVICE

FOR YOUR FURNITURE TO LAST, CORRECT ASSEMBLY AND PROPER MAINTENANCE ARE NECESSARY. PLEASE FOLLOW THE INFORMATION PROVIDED BELOW TO FULLY ENJOY YOUR FURNITURE.

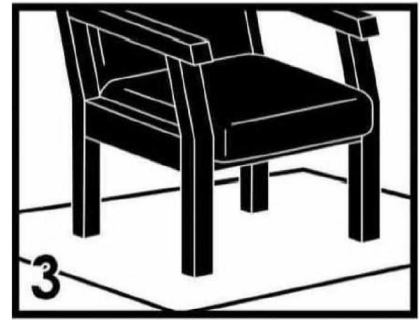
BASIC ASSEMBLY TECHNIQUES



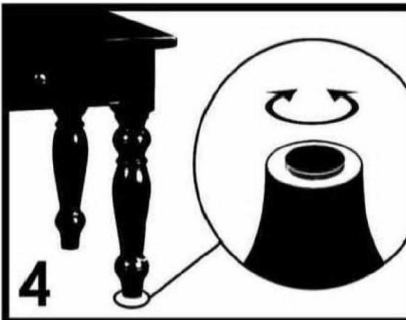
When lock or spring washer is used in an assembly, please make sure the lock or spring washer is placed between the larger flat washer and the head of the screw or bolt.



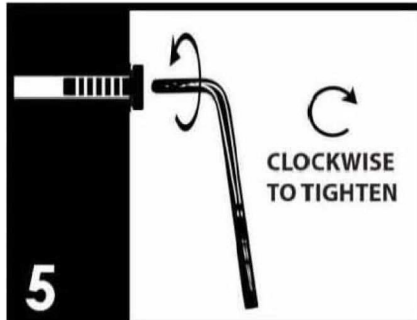
Position each part correctly and insert screws or bolts into their respective holes by hand tighten or using the proper hand tool. Only tighten when step is completed or when instructed to do so.



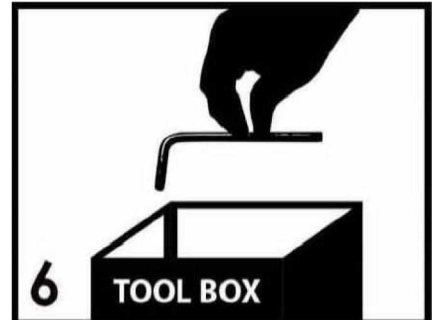
Use cardboard or carpet area when assembling furniture to prevent scratches. Make sure the furniture rests on a flat and level surface with each leg evenly touching the floor.



Some furniture comes with height adjustment knobs underneath each leg. To lower or to raise each leg, you need to turn clockwise or counterclockwise, respectively.



Make sure all parts are properly aligned, then use the appropriate hand tool to completely tighten the bolts or screws. Do not use power tools and do not overtighten.

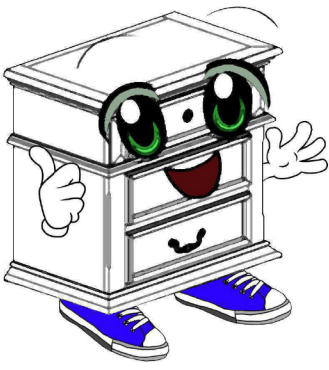


Save the instructions and store the Allen wrench or any supplied tool for later maintenance. After two weeks, check and tighten any loose hardware and repeat again every six months thereafter.

IT IS THE USER'S RESPONSIBILITY TO MAINTAIN THE FURNITURE. THE HARDWARE MAY LOOSEN OVER TIME AND MAY CAUSE THE FURNITURE TO BE WOBBLY AND UNABLE TO SUPPORT ITS INTENDED WEIGHT CAPACITY. THIS MAY LEAD TO COLLAPSE AND MAY CAUSE SERIOUS INJURY.



FAILURE TO FOLLOW THE GUIDELINES ABOVE MAY RESULT IN INJURY AND/OR PROPERTY DAMAGE.

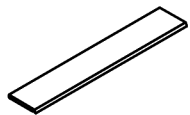


Before you begin, please read Page 2 of "Assembly and Care Advice".

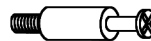
And remember, do not tighten until each step is completed or instructed.

Parts List

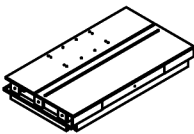
Hardware List



#1 x 1pc
Top Shelf Panel



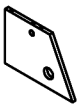
#A x 6pcs
Cam bolt $\text{Ø}1/4\text{''} \times 1-1/2\text{''}$



#2 x 1pc
Top Table Panel



#B x 6pcs
Cam lock



#3 x 1pc
Divider Left



#C x 24pcs
Dowel $\text{Ø} 5/16\text{''} \times 1-1/4\text{''}$



#4 x 2pcs
Divider



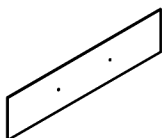
#D x 6pcs
Bolt $\text{Ø}1/4\text{''} \times 1-1/10\text{''}$



#5 x 1pc
Divider Right



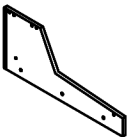
#E x 14pcs
Spring washer $\text{Ø}1/4\text{''}$



#6 x 1pc
Back Panel



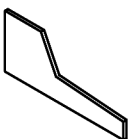
#F x 14pcs
Flat washer $\text{Ø}1/4\text{''}$



#7 x 1pc
Side Panel Right



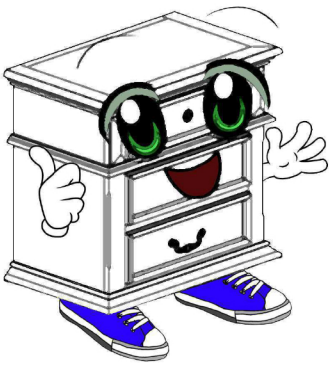
#G x 8pcs
Bolt $\text{Ø}1/4\text{''} \times 1-49/64\text{''}$



#8 x 1pc
Side Panel Lift



#H x 4pcs
Screw $\text{Ø} 5/32\text{''} \times 1-3/16\text{''}$

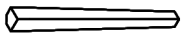


Before you begin, please read Page 2 of "Assembly and Care Advice".

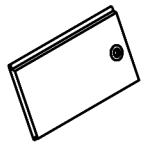
And remember, do not tighten until each step is completed or instructed.

Parts List

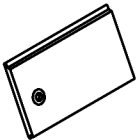
Hardware List



#9 x 4pcs
Leg



#10 x 1pc
Door Left



#11 x 1pc
Door Right



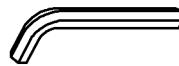
#I x 2pcs
Screw $\text{Ø } 5/32" \times 1/2"$



#J x 1pc
Bolt $\text{Ø } 5/32" \times 1-1/4"$



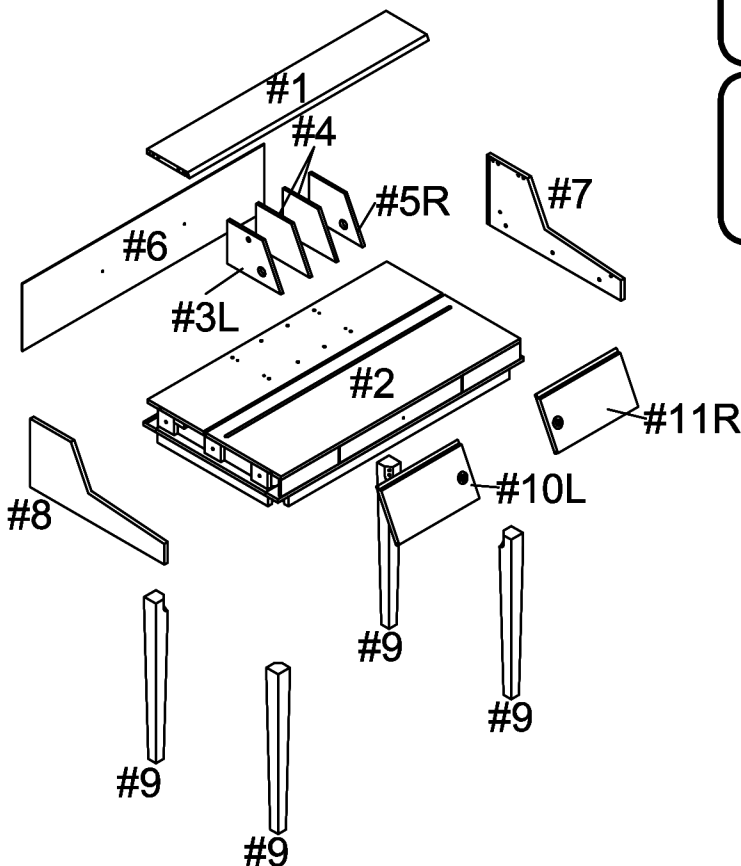
#K x 1pc
Knob



#L x 1pc
Allen wrench $5/32"$

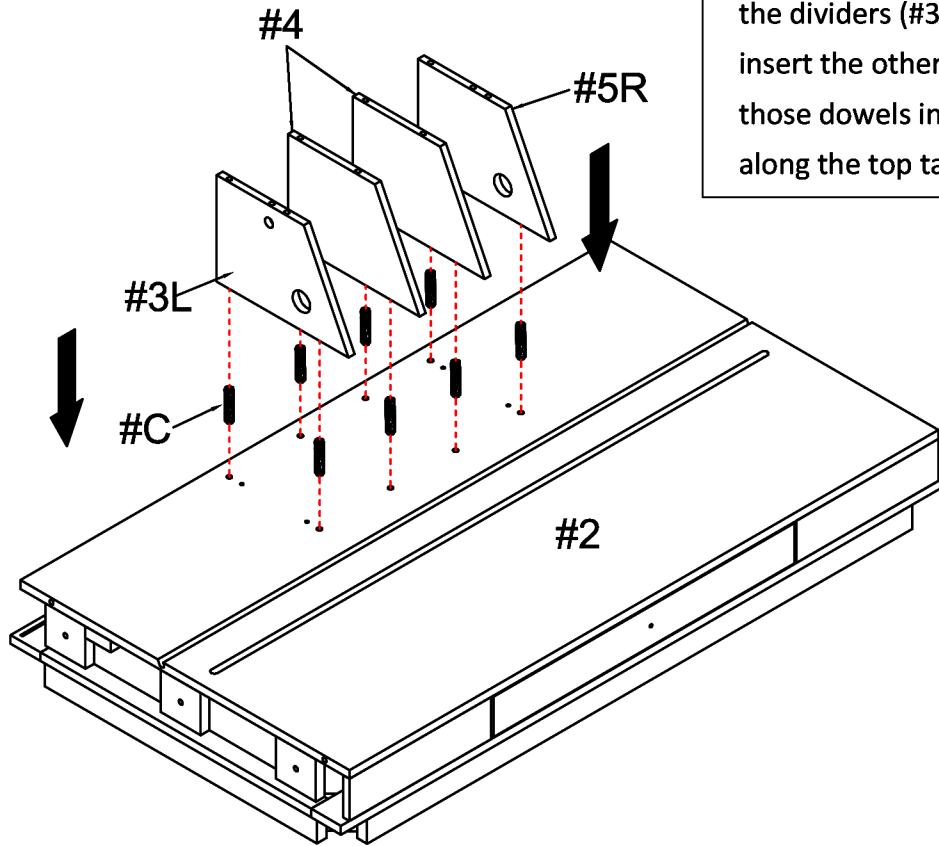


#M x 4pcs
Plastic cap





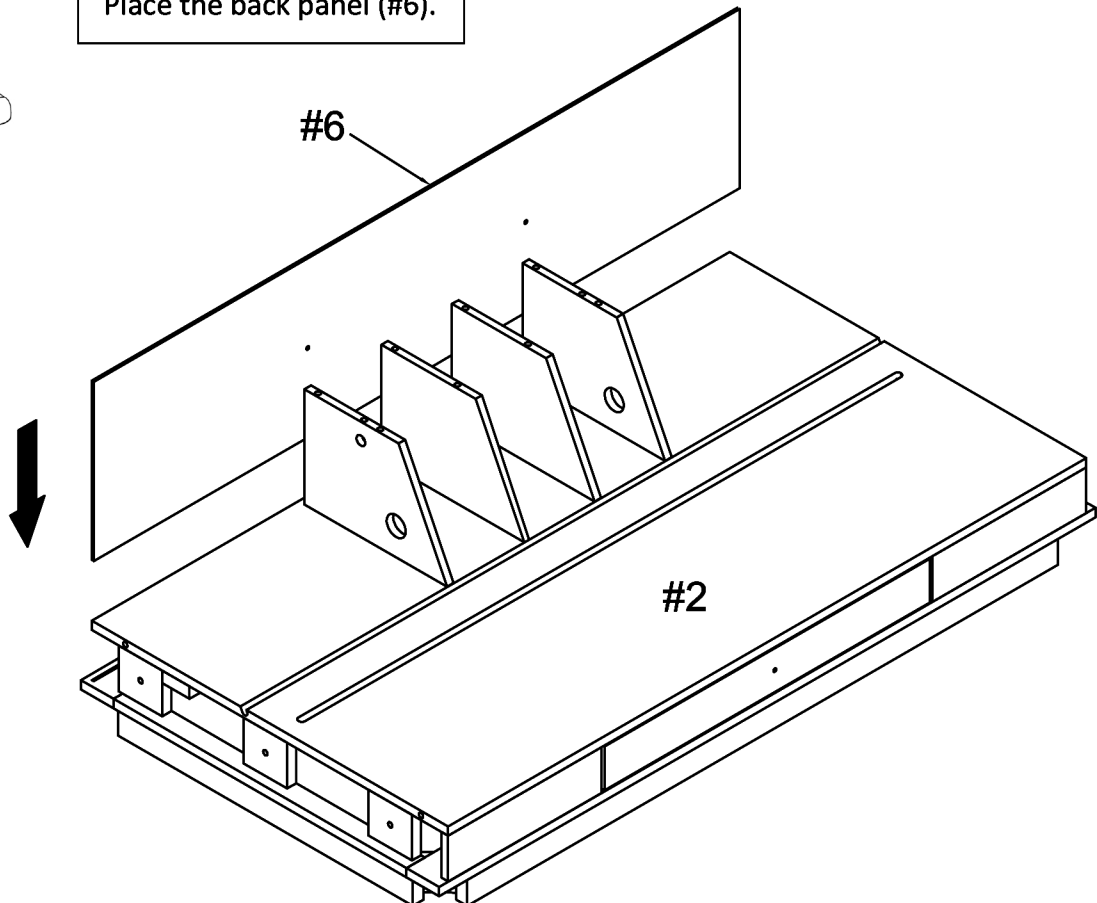
#C x 8pcs



Insert the dowels (#C) into the dividers (#3,4,5), then insert the other ends of those dowels into the holes along the top table panel (#2).



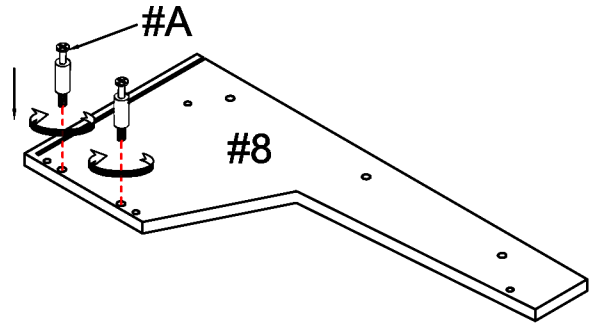
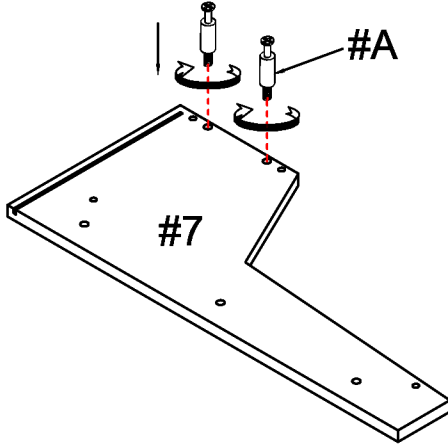
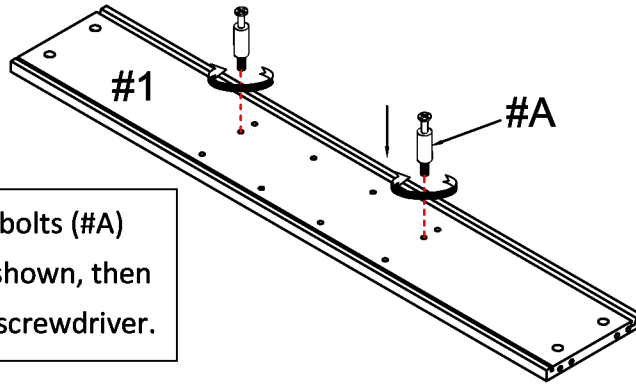
Place the back panel (#6).





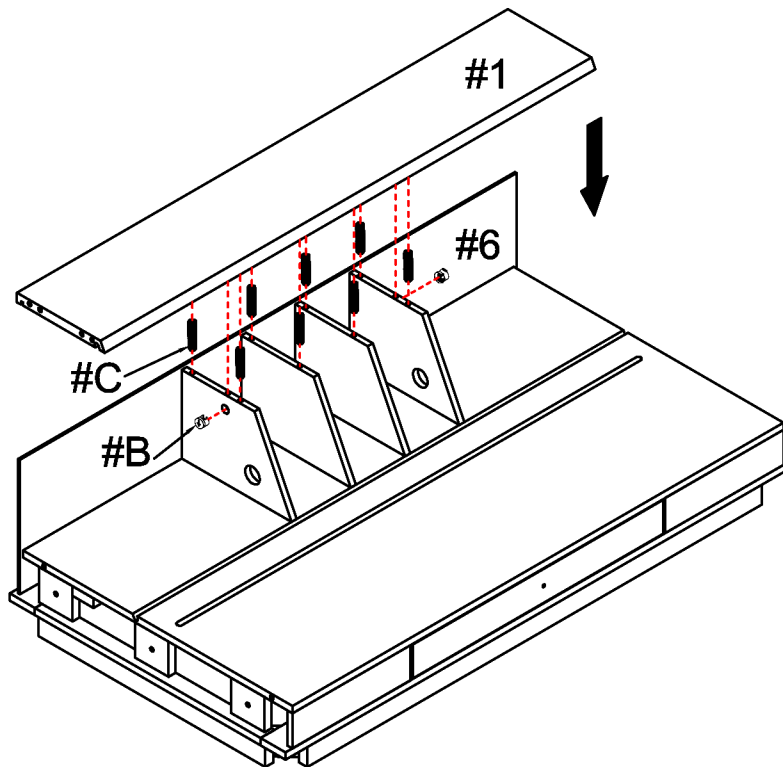
#A x 6pcs

Insert the cam bolts (#A) into the holes shown, then secure using a screwdriver.



#C x 8pcs
#B x 2pcs

1. Insert the dowels (#C) into the holes along the top shelf panel (#1) and insert a cam lock (#B) into the the large holes along the two end dividers.



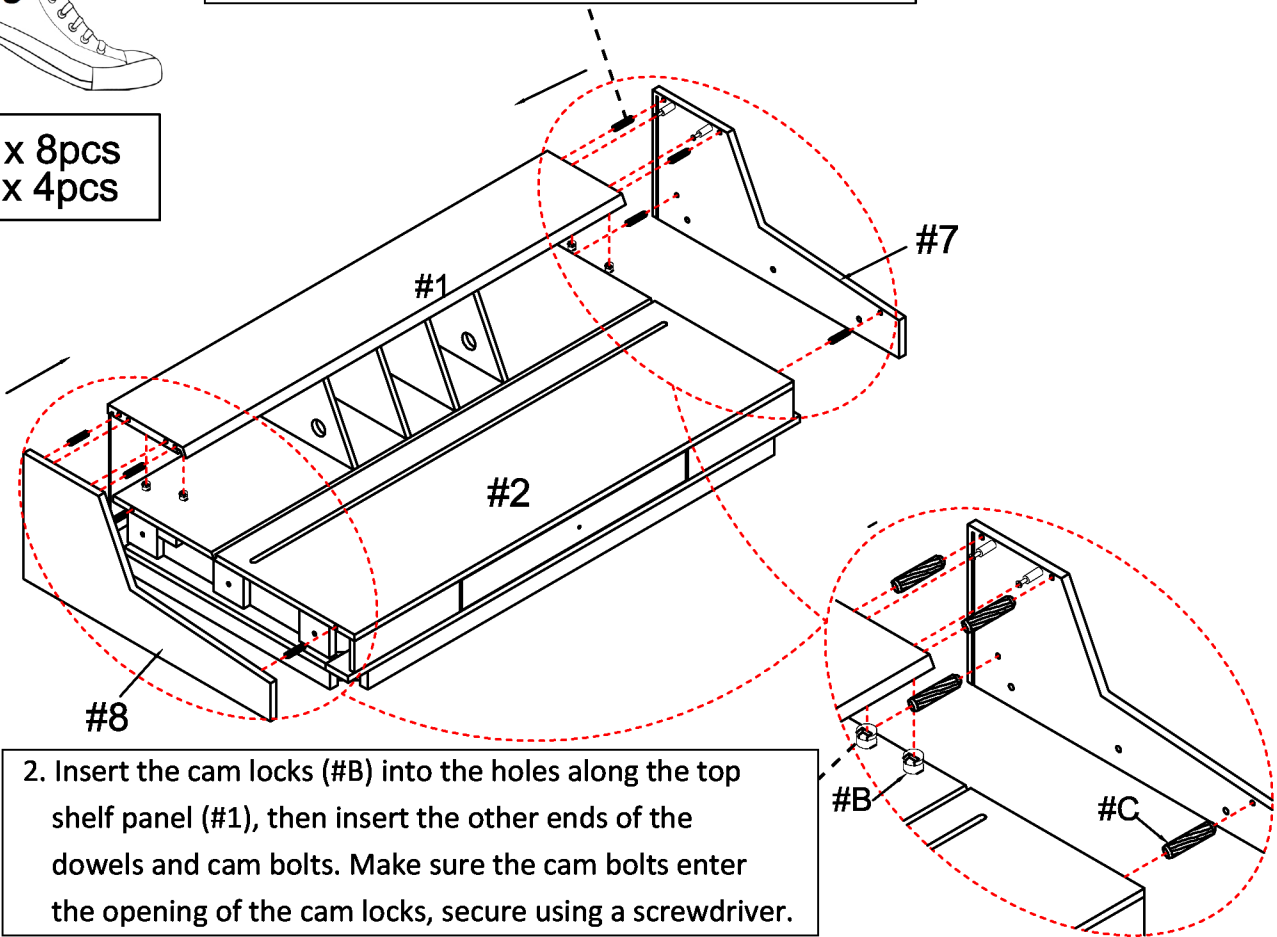
2. Insert the other ends of those dowels into the top of the dividers, and insert the cam bolts along (#1) into the opening of the cam lock (#B), secure using a screwdriver.



#5

1. Insert the dowels (#C) into the side panels (#7,8).

#C x 8pcs
#B x 4pcs

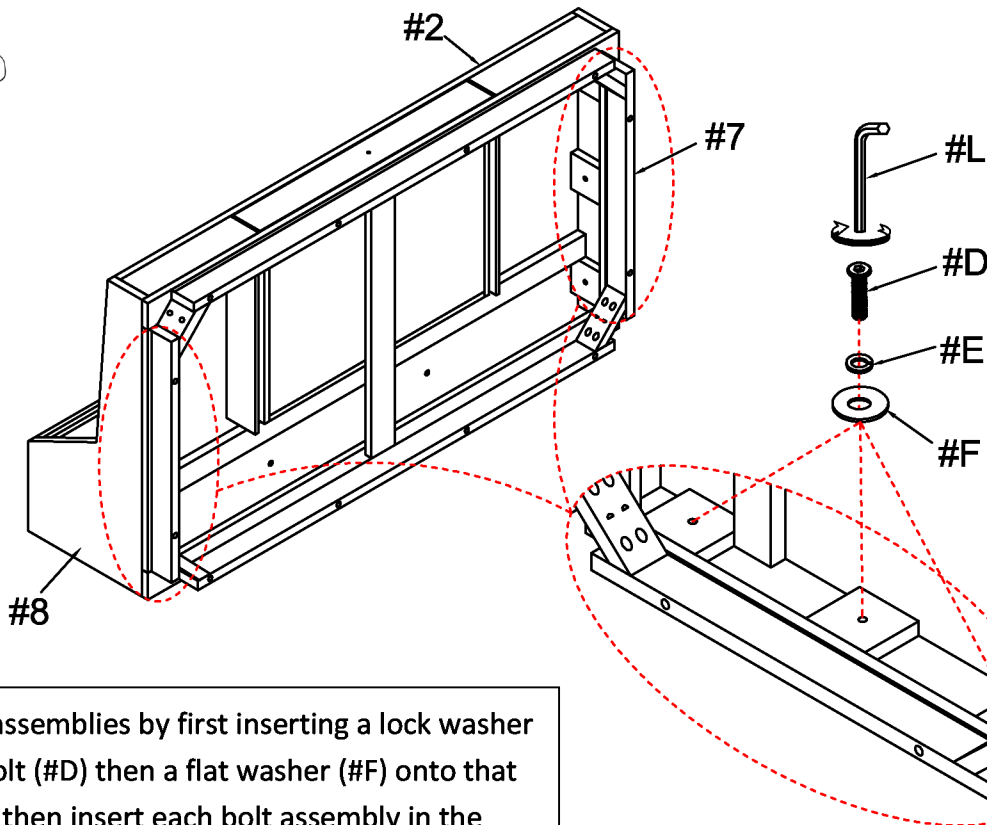


2. Insert the cam locks (#B) into the holes along the top shelf panel (#1), then insert the other ends of the dowels and cam bolts. Make sure the cam bolts enter the opening of the cam locks, secure using a screwdriver.



#6

#D x 6pcs
#E x 6pcs
#F x 6pcs

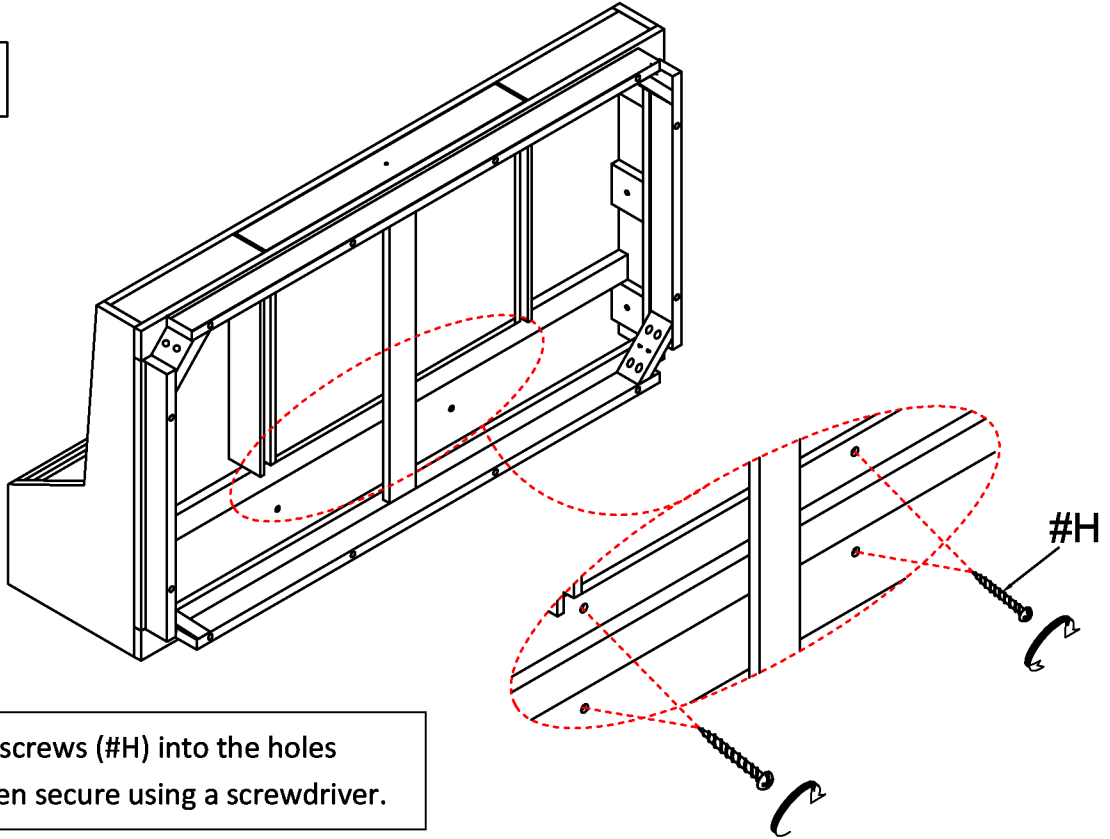


Prepare 6 bolt assemblies by first inserting a lock washer (#E) onto the bolt (#D) then a flat washer (#F) onto that same bolt (#D), then insert each bolt assembly in the holes shown. Secure using the Allen wrench (#L).



#7

#H x 4pcs

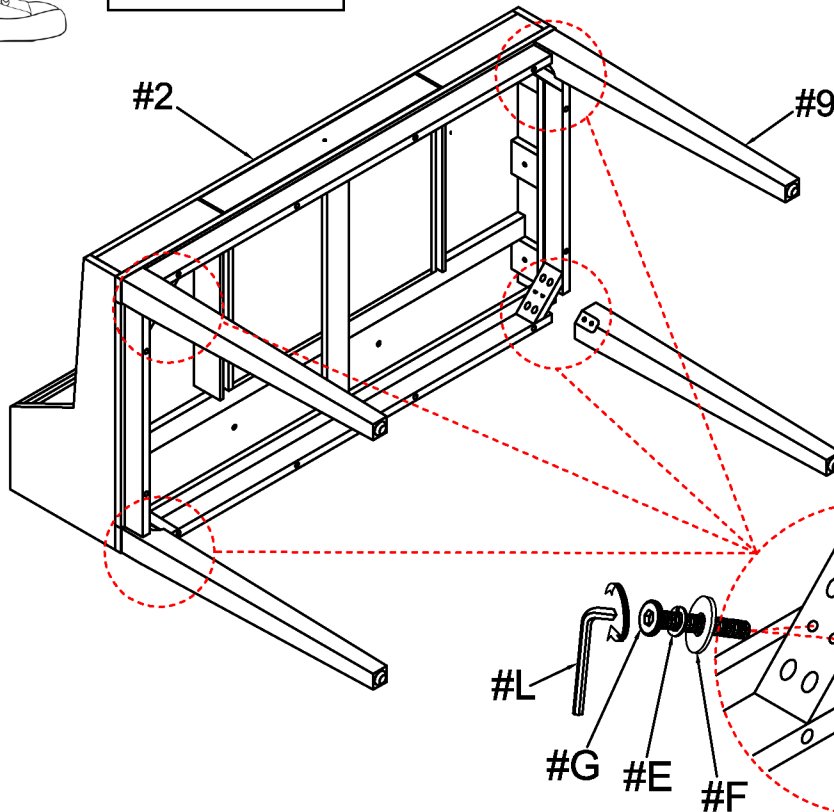


Insert the screws (#H) into the holes shown, then secure using a screwdriver.



#8

#G x 8pcs
#E x 8pcs
#F x 8pcs

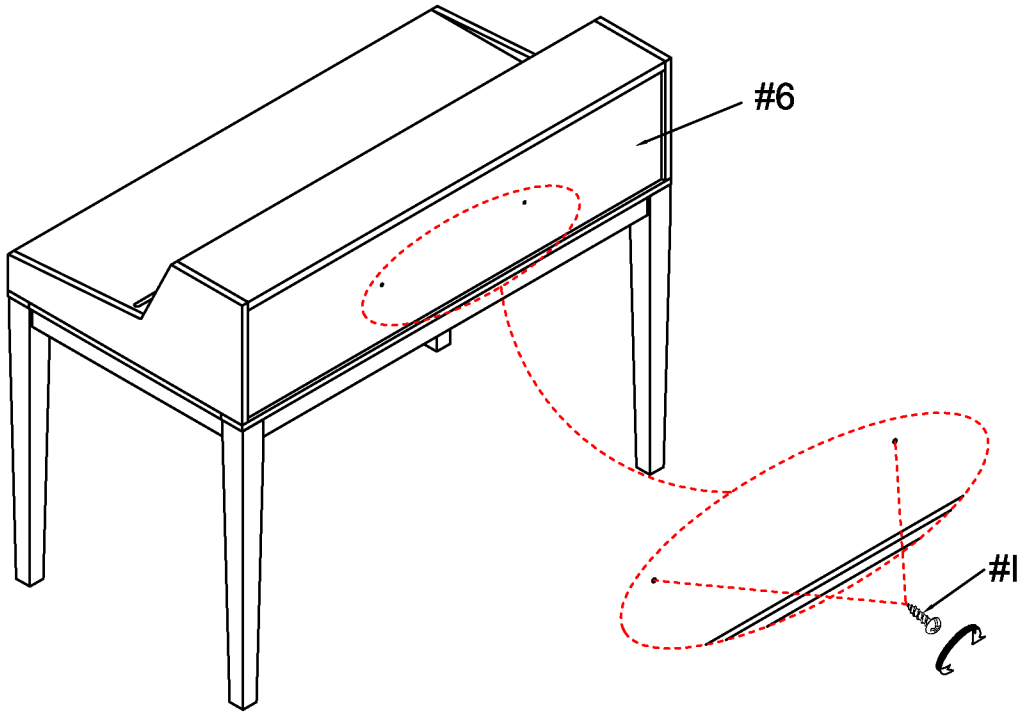


Prepare 8 bolt assemblies by first inserting a lock washer (#E) onto the bolt (#G) then a flat washer (#F) onto that same bolt (#G), then insert each bolt assembly in the holes shown. Secure using the Allen wrench (#L).



#9

#1 x 2pcs



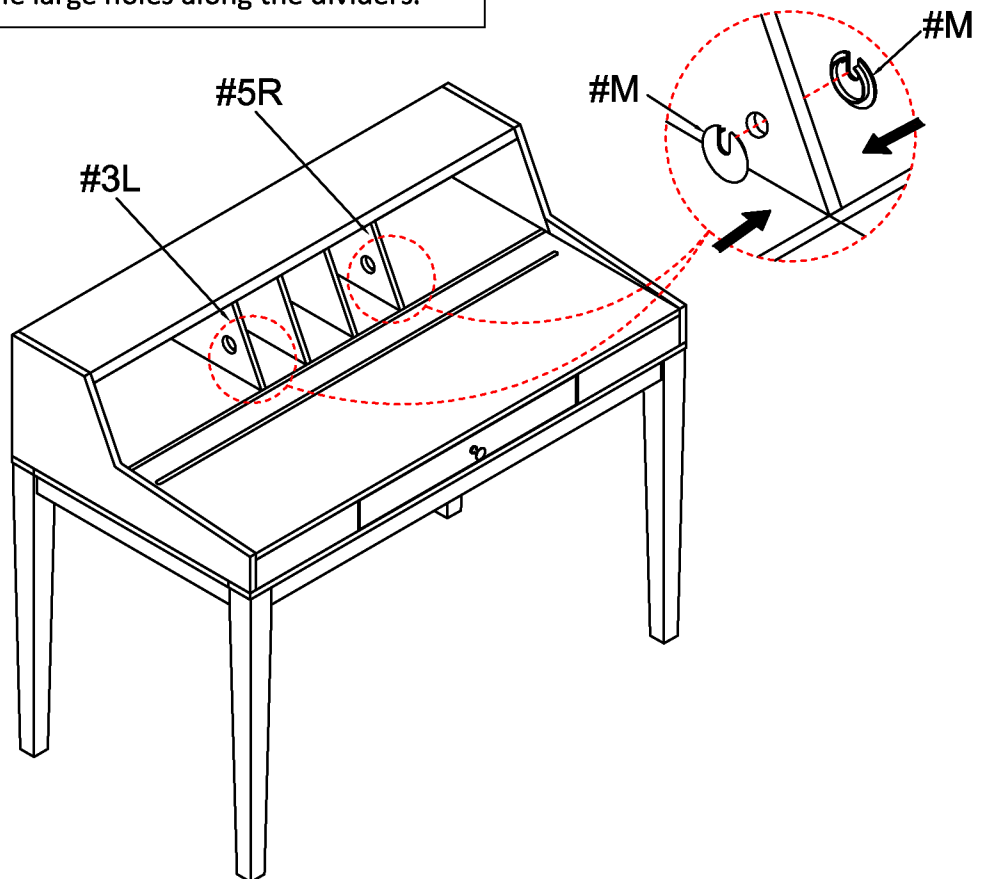
Insert the screws (#1) and secure using a screwdriver.



#10

#M x 4pcs

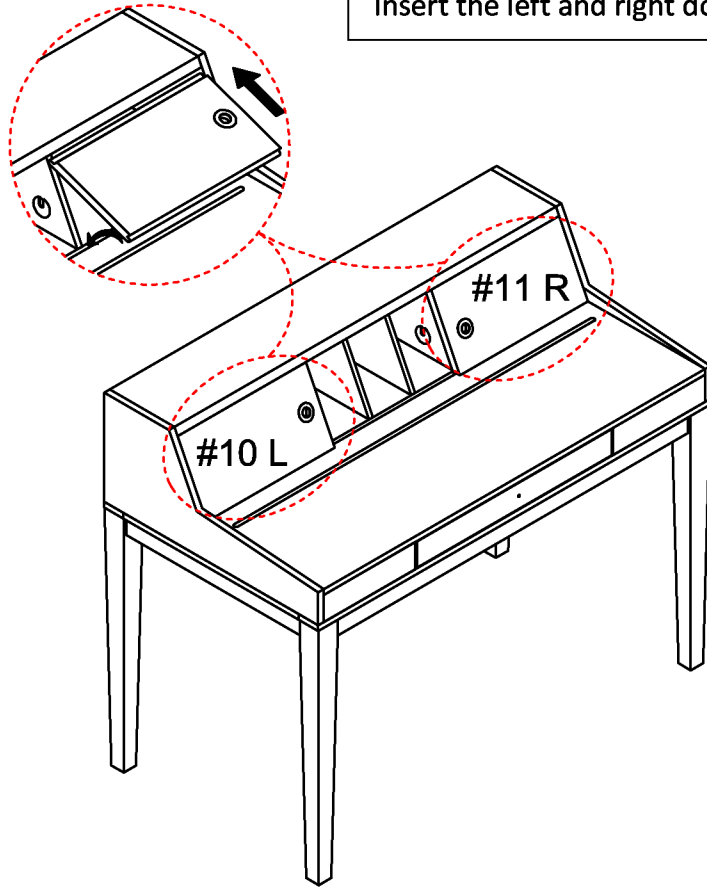
Insert a plastic cap (#M) into each side of the large holes along the dividers.





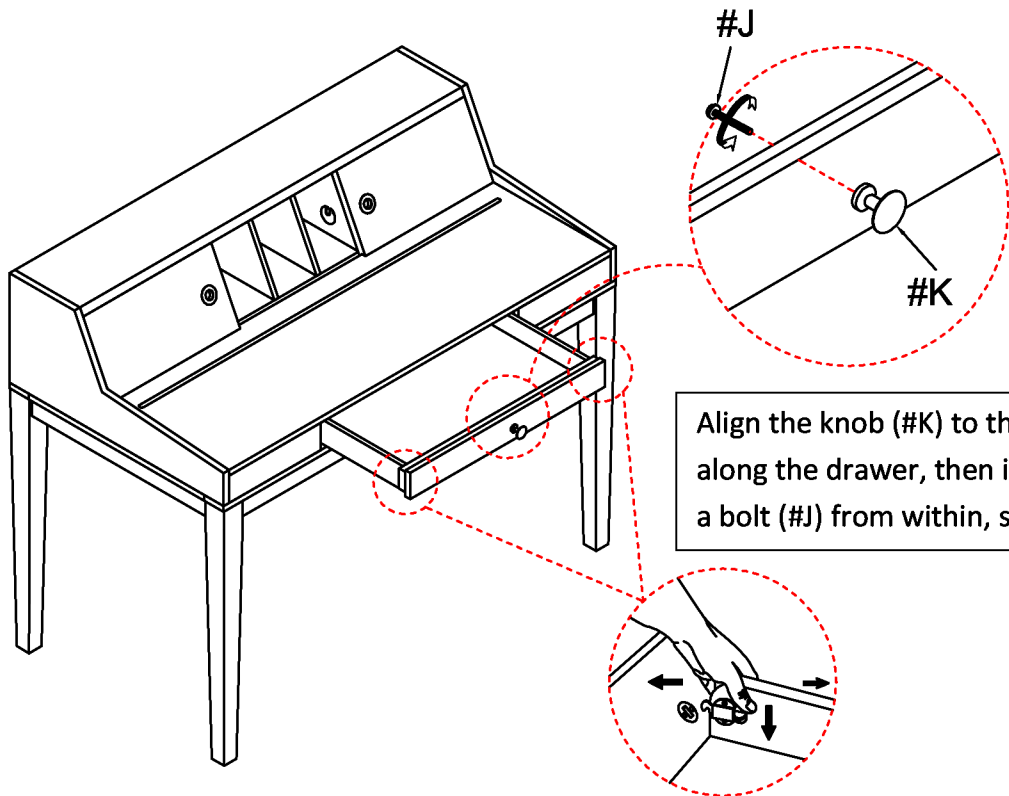
#11

Insert the left and right doors (#10,11).



#12

#J x 1pc
#K x 1pc



Align the knob (#K) to the hole along the drawer, then insert a bolt (#J) from within, secure.

ASSEMBLY IS COMPLETED