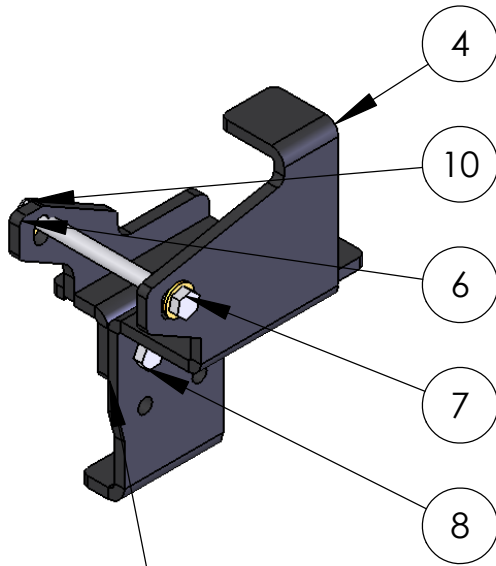
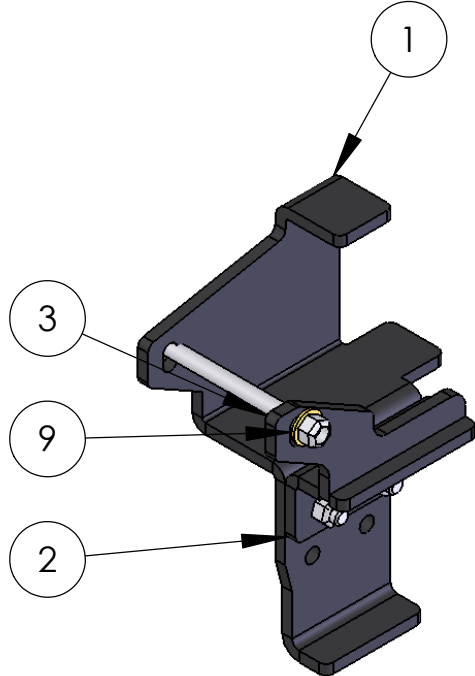
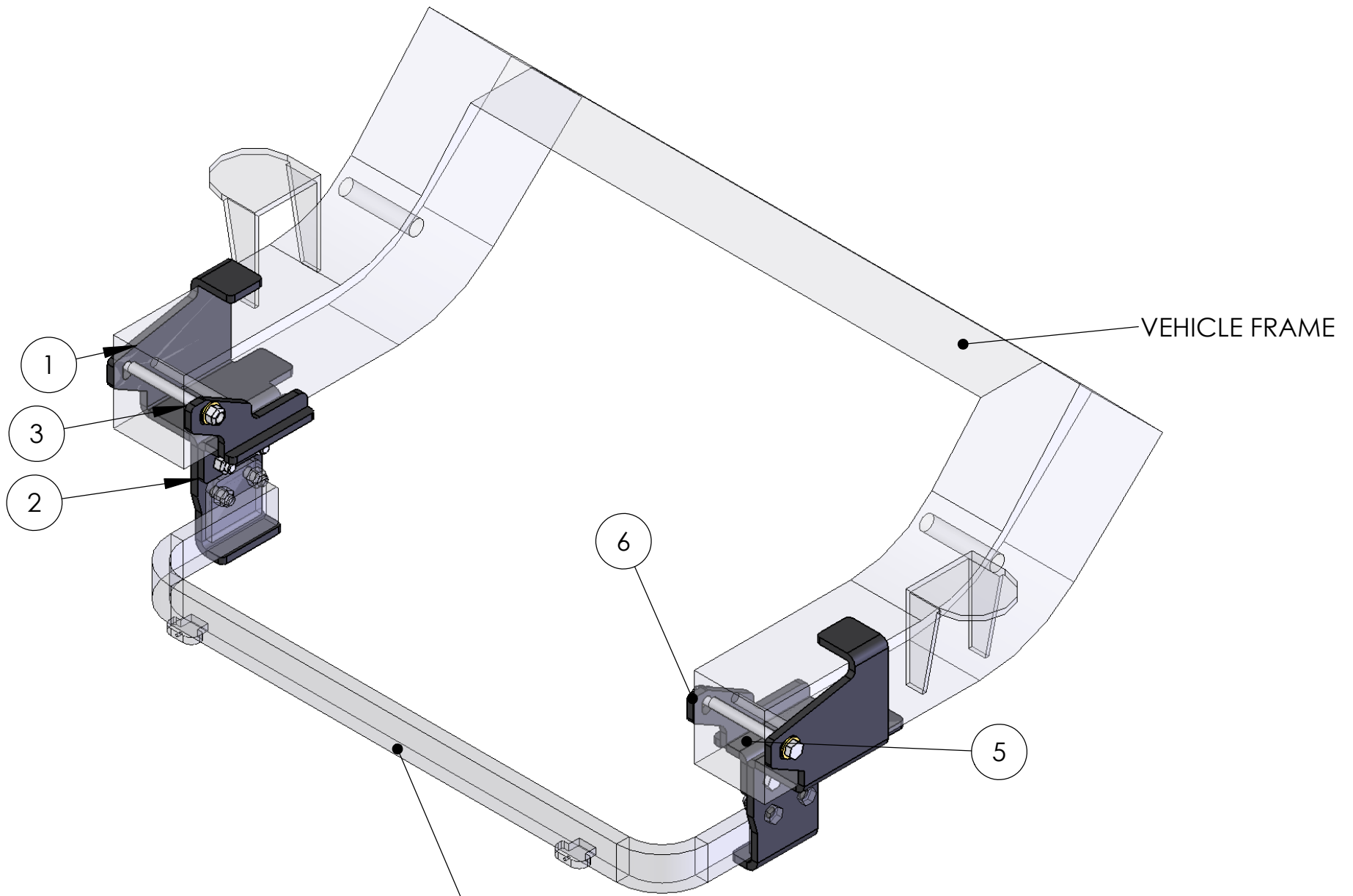


ITEM NO.	PART NUMBER	mount/QTY.
1	81520-1	1
2	81520-2	1
3	81520-3	1
4	Mirror81520-1	1
5	Mirror81520-2	1
6	Mirror81520-3	1
7	HH-0500-5500-Z	2
8	HH-0500-1500-Z	4
9	FW-0500-Z	4
10	NIN-0500-Z	6



SIZE <b>A</b>	DWG. NO. <b>81520-A</b>	REV
SCALE: 1:1	WEIGHT:	SHEET 1 OF 2



VEHICLE FRAME

1

3

2

6

5

CROSS BAR NOT INCLUDED IN MOUNT KIT

SIZE <b>A</b>	DWG. NO. <b>81520-A</b>	REV
SCALE: 1:1	WEIGHT:	SHEET 2 OF 2

5

↑

4

3

2

1