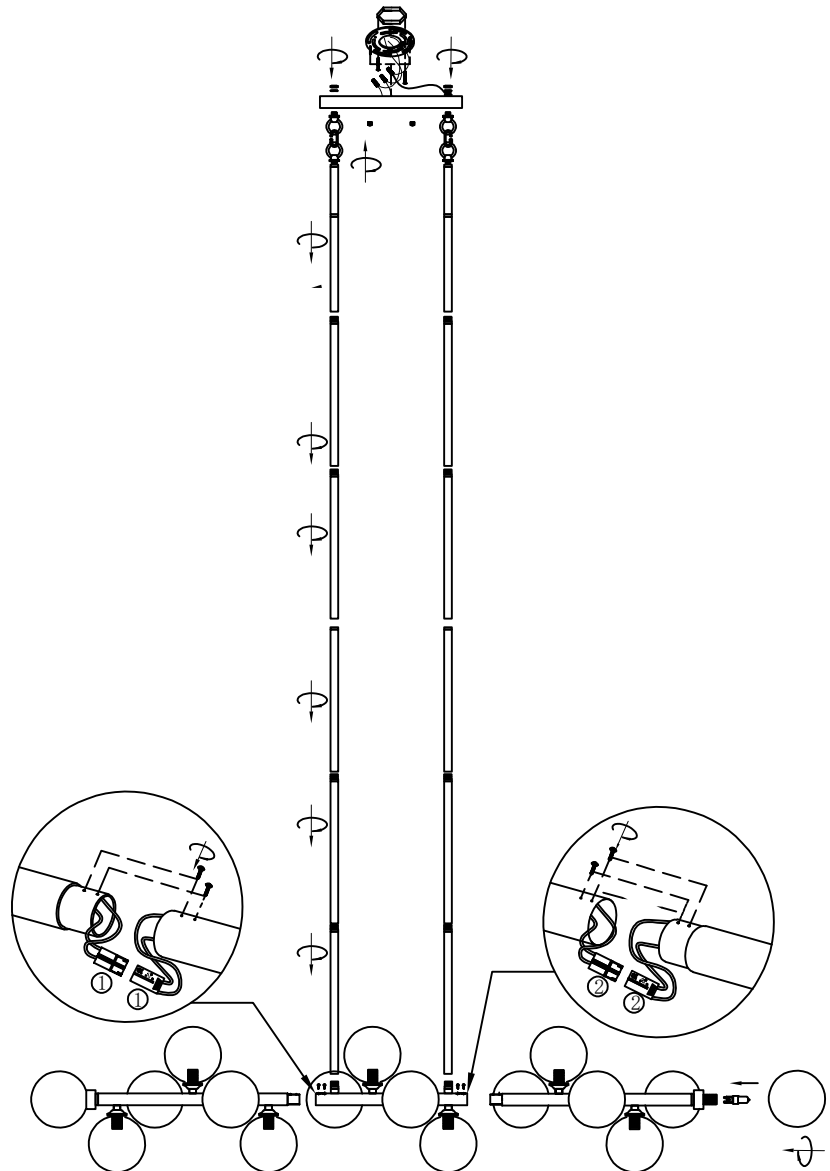
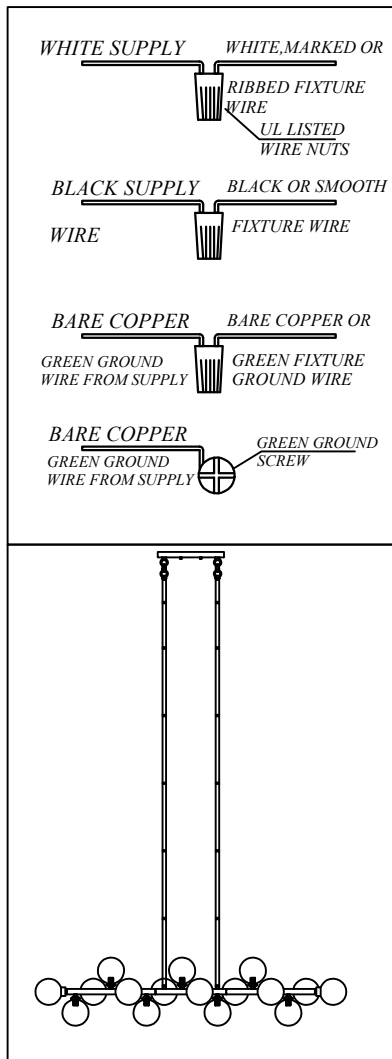


Product Installation Manual

WARNING - If any Special Control Device is used with this Fixture, follow the instructions carefully to ensure full compliance with NEC requirements. If there are any questions, contact a Qualified Electrical Contractor.



- 1.AC 110–130V, 50–60Hz. Maximum bulb power: 25W. Use G9 bulbs only.
- 2.Avoid scratching the surface of the fixture or the wires during installation. Connect the live wire to "L", the neutral wire to "N", and wrap the bare copper ground wire around the green grounding screw.
- 3.Ensure that the ceiling and installation area are completely dry and free of moisture before installing the fixture.
- 4.Keep the fixture away from acids, acidic substances, and corrosive gases. Clean with a soft cloth. Do not wash with water.
- 5.The fixture must be installed by a professional electrician and is intended for indoor use only.
- 6.Always turn off the power supply when installing, cleaning, or replacing the bulb.
- 7.Scan the QR code for a step-by-step light fixture installation video.