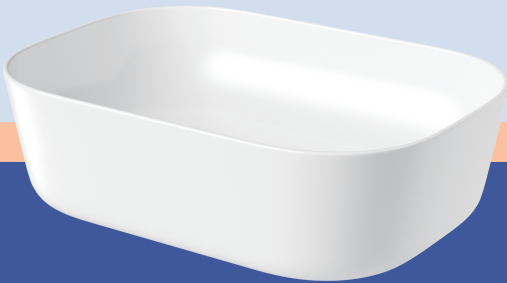


Installation Guide

BATHROOM VESSEL SINK



Tools and Materials



Safety
Glasses



Tape
Measure



Construction
Adhesive



Pencil



Drill



Sealant

Plus:

- (1) Hole Saw (2) Utility Knife (3) Towel
(4) Acetone/Denatured Alcohol

Parts List:

Eridanus Vessel Sink

Prior to Installation



Read the following instructions carefully before you begin this installation:

- Due to the handmade construction, dimensions of the actual product might vary by up to 1/4 inch from the nominal specifications. Please refer to the actual product received prior to installation.
- Observe all local plumbing and building codes.
- Shut off the hot and cold water supplies.
- Make sure the plumbing under the sink is in good condition and that there are no leaks or other problems that could cause issues during installation.
- Unpack the new sink and inspect it for damage. Afterward, return the sink to its protective carton until the installation begins.
- When using tools like wrenches or screwdrivers, be sure to use them properly to avoid self-injury and damage to the sink or other parts.
- Two people are recommended to move and install the sink.

Sink with overflow

- Requires a drain with overflow
- Line up the overflow with the hole in the drain
- Place the rubber gasket directly under the basin
- Apply a thin layer of sealant to create a watertight seal

Sink without overflow

- Requires a drain without overflow

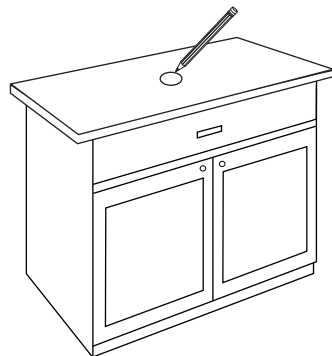
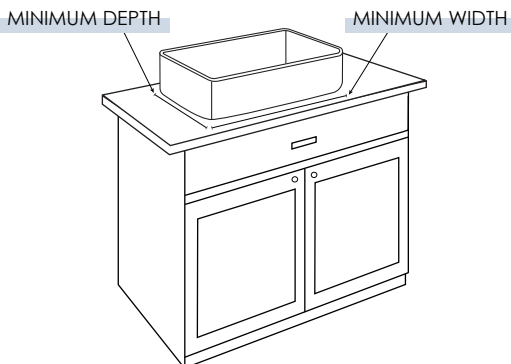
Installation Procedures



STEP I. Select the suitable countertop according to the size of the vessel sink model purchased, choose the location where you want to install the sink, place the vessel sink on the countertop, and confirm the size.

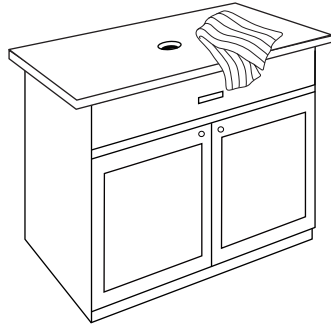
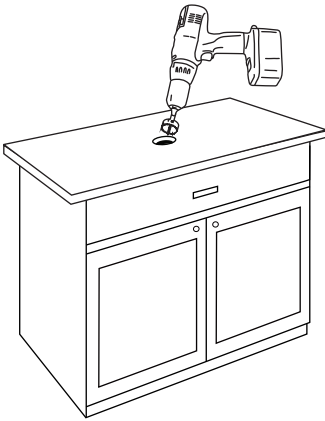
NOTE Please pay attention to reserving adequate clearance for subsequent installation of faucets and other accessories.

STEP II. Mark the drain hole on the countertop with a pencil.



STEP III. Use a hole saw to drill the marked drain hole.

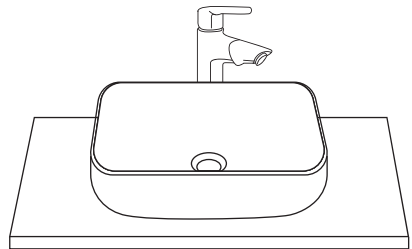
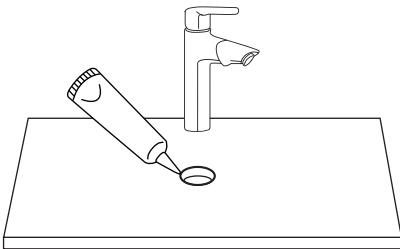
STEP IV. Clean the countertop after drilling to keep the countertop clean and dry.



STEP V. Apply sealant to the joint between vessel sink and countertop.

STEP VI. Place the sink coated with sealant on the countertop gently, making sure it is centered over the drain hole. Press down firmly on the sink to ensure a tight seal between the sink and the countertop.

NOTE It's recommended to apply extra sealant around the base of the sink to get a strengthening effect. Let the sink stand for 24 hours, and make sure that there is a watertight seal at the drain connection.



NOTE Use acetone or denatured alcohol to remove any excess sealant immediately after application.

Installation Guide